



US00D819536S

(12) **United States Design Patent**  
**Austin**

(10) **Patent No.:** **US D819,536 S**  
(45) **Date of Patent:** **\*\* Jun. 5, 2018**

- (54) **WHEEL**
- (71) Applicant: **Jaguar Land Rover Limited**, Whitley, Coventry (GB)
- (72) Inventor: **Robin Austin**, Coventry (GB)
- (73) Assignee: **Jaguar Land Rover Limited**, Whitley, Coventry (GB)

(\*\*) Term: **15 Years**

(21) Appl. No.: **29/591,468**

(22) Filed: **Jan. 20, 2017**

(30) **Foreign Application Priority Data**

Aug. 18, 2016 (EM) ..... 003345347-0001

(51) **LOC (11) Cl.** ..... **12-16**

(52) **U.S. Cl.**  
USPC ..... **D12/209**

(58) **Field of Classification Search**  
USPC ..... D12/204–213  
CPC .... B60B 7/00; B60B 7/02; B60B 7/04; B60B 7/06; B60B 3/02; B60B 3/04; B60B 3/06; B60B 3/10  
See application file for complete search history.

(56) **References Cited**

**U.S. PATENT DOCUMENTS**

- D569,322 S \* 5/2008 Scheu ..... D12/211
- D671,876 S \* 12/2012 Roura ..... D12/209

- D726,628 S \* 4/2015 Kong ..... D12/211
- D729,138 S \* 5/2015 Davidson ..... D12/209
- D756,878 S \* 5/2016 Valencia Pollex ..... D12/209
- D758,275 S \* 6/2016 Patel ..... D12/209
- D777,077 S \* 1/2017 Bjerke ..... D12/211
- D785,537 S \* 5/2017 Valencia Pollex ..... D12/211
- D791,670 S \* 7/2017 Valencia Pollex ..... D12/209
- D804,388 S \* 12/2017 Snyder ..... D12/209
- D807,269 S \* 1/2018 Peat ..... D12/209

\* cited by examiner

*Primary Examiner* — Sheryl Lane

*Assistant Examiner* — Calvin E Vansant

(74) *Attorney, Agent, or Firm* — Wood Herron & Evans LLP

(57) **CLAIM**

The ornamental design for a wheel, as shown and described.

**DESCRIPTION**

FIG. 1 is a front left perspective view of a wheel for a vehicle according to the present invention.

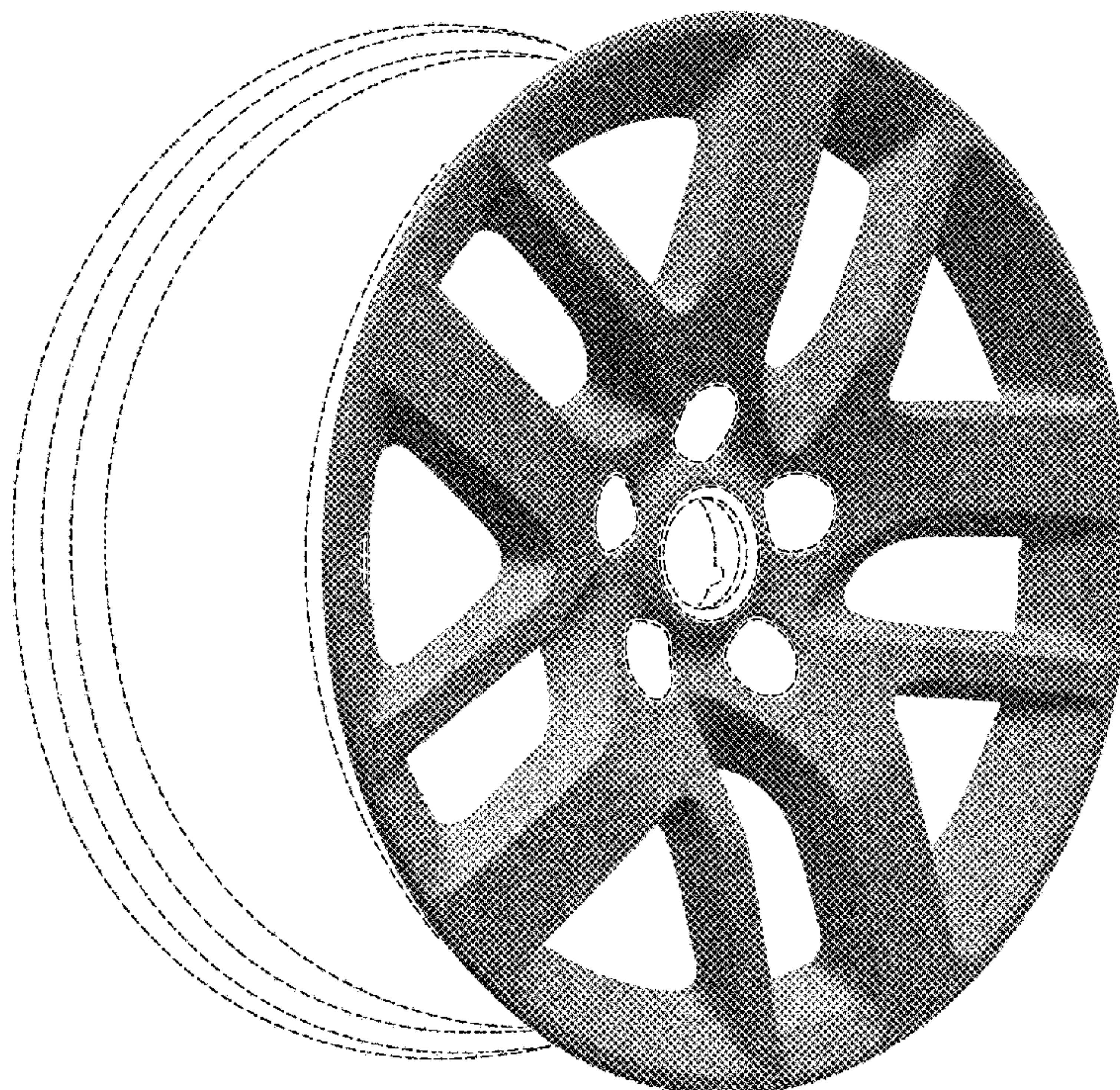
FIG. 2 is a front view thereof.

FIG. 3 is a left side view thereof; and,

FIG. 4 is a right side view thereof.

The broken lines depict portions of the wheel that form no part of the claim.

**1 Claim, 2 Drawing Sheets**





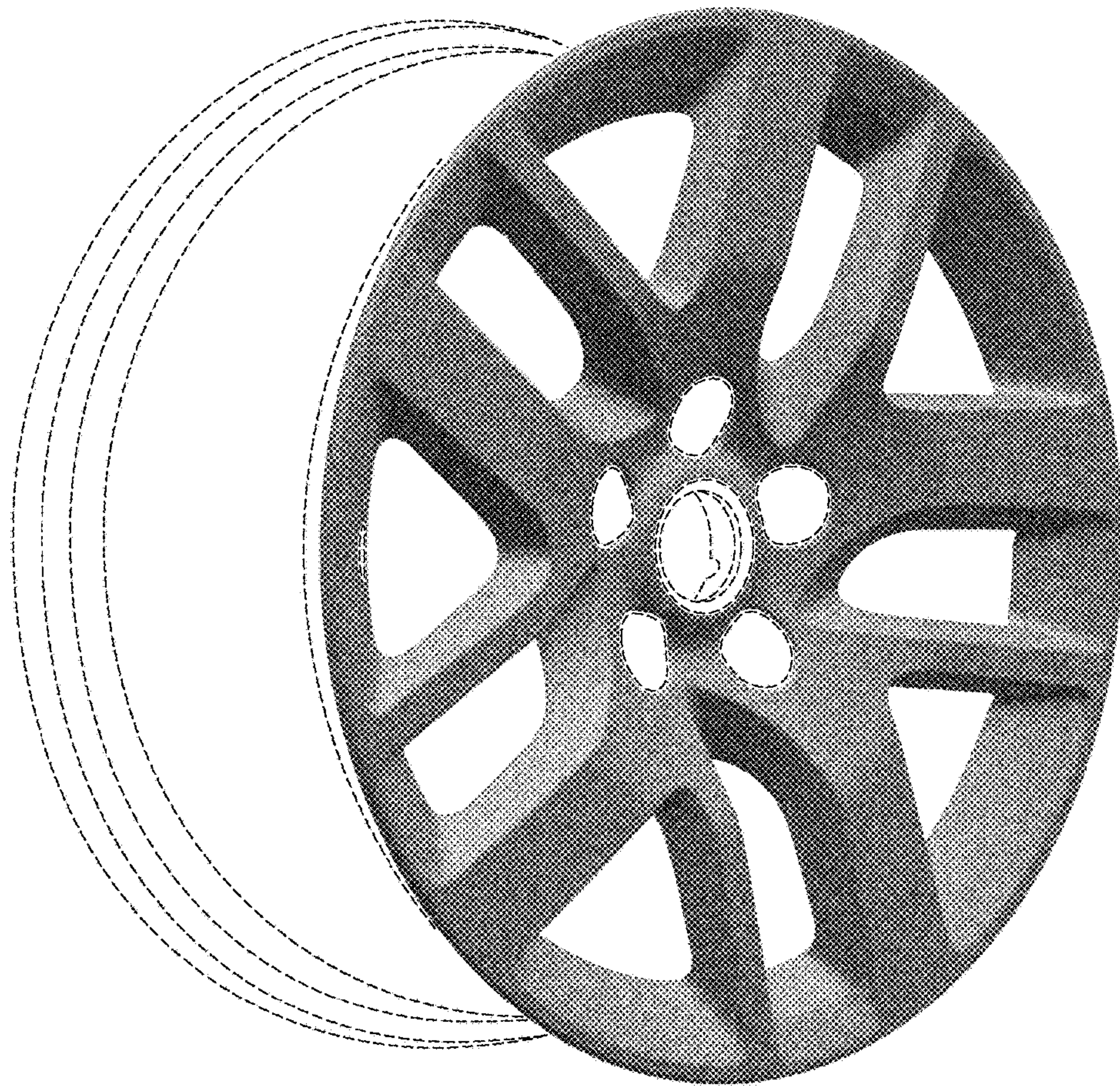


FIG. 1



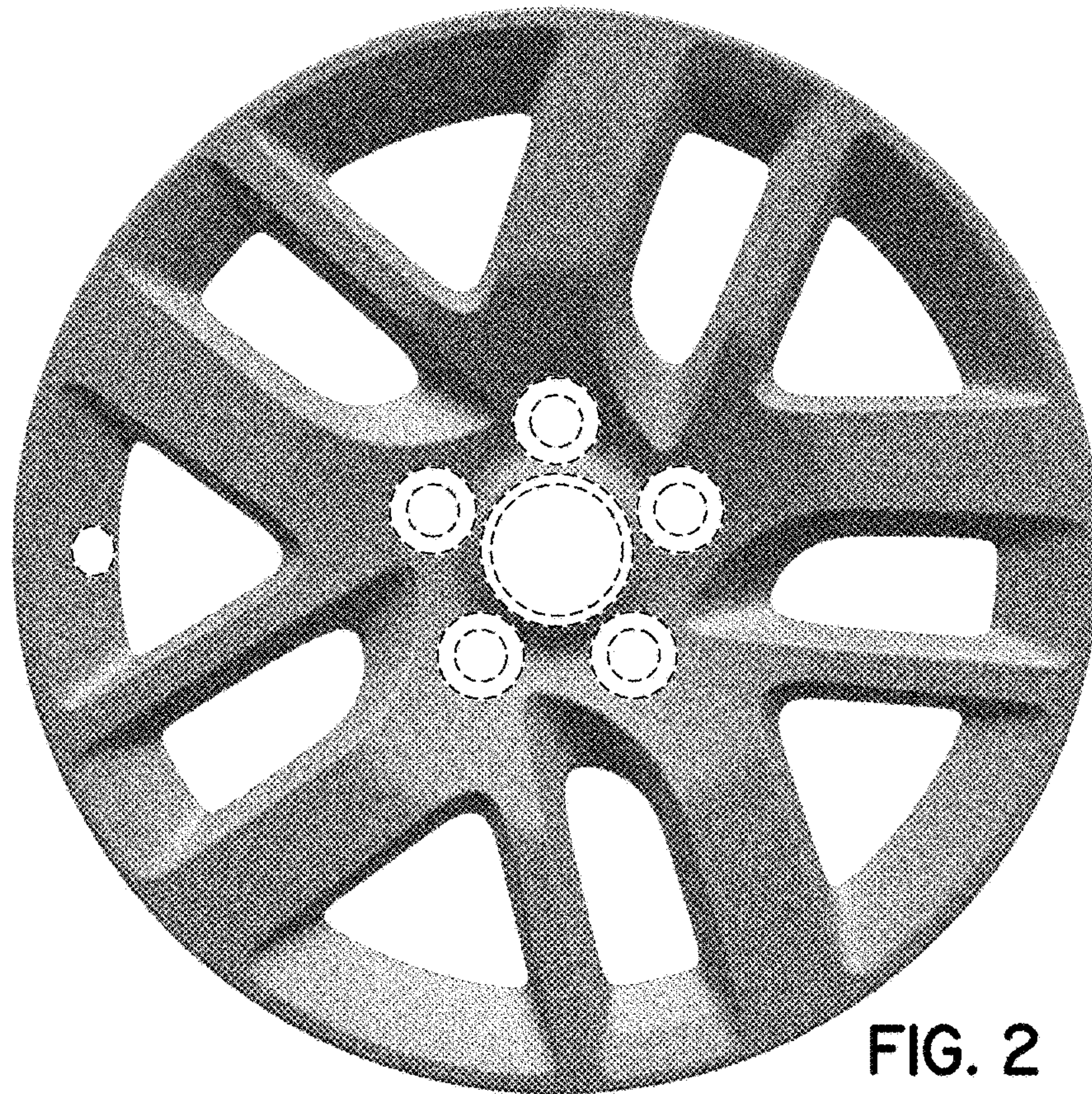


FIG. 2

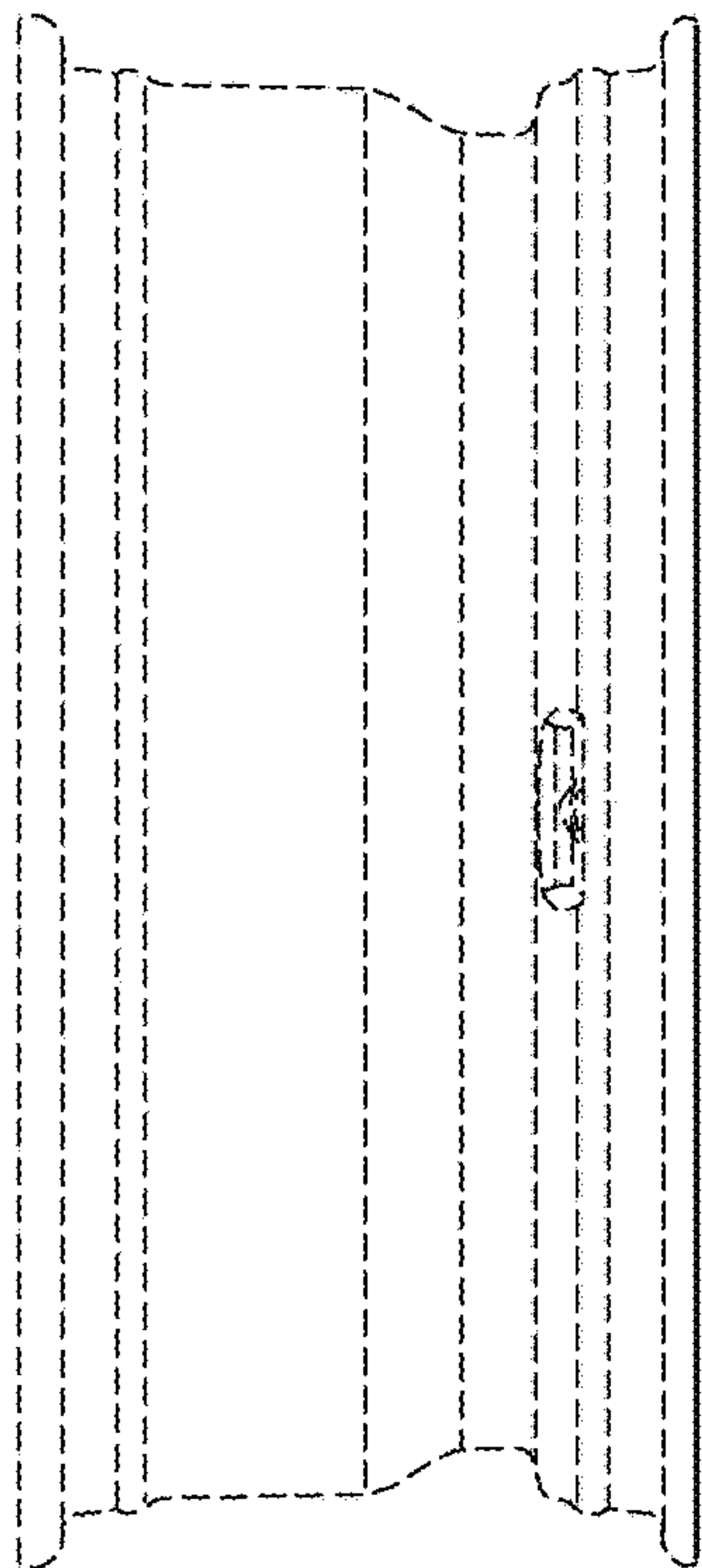


FIG. 3

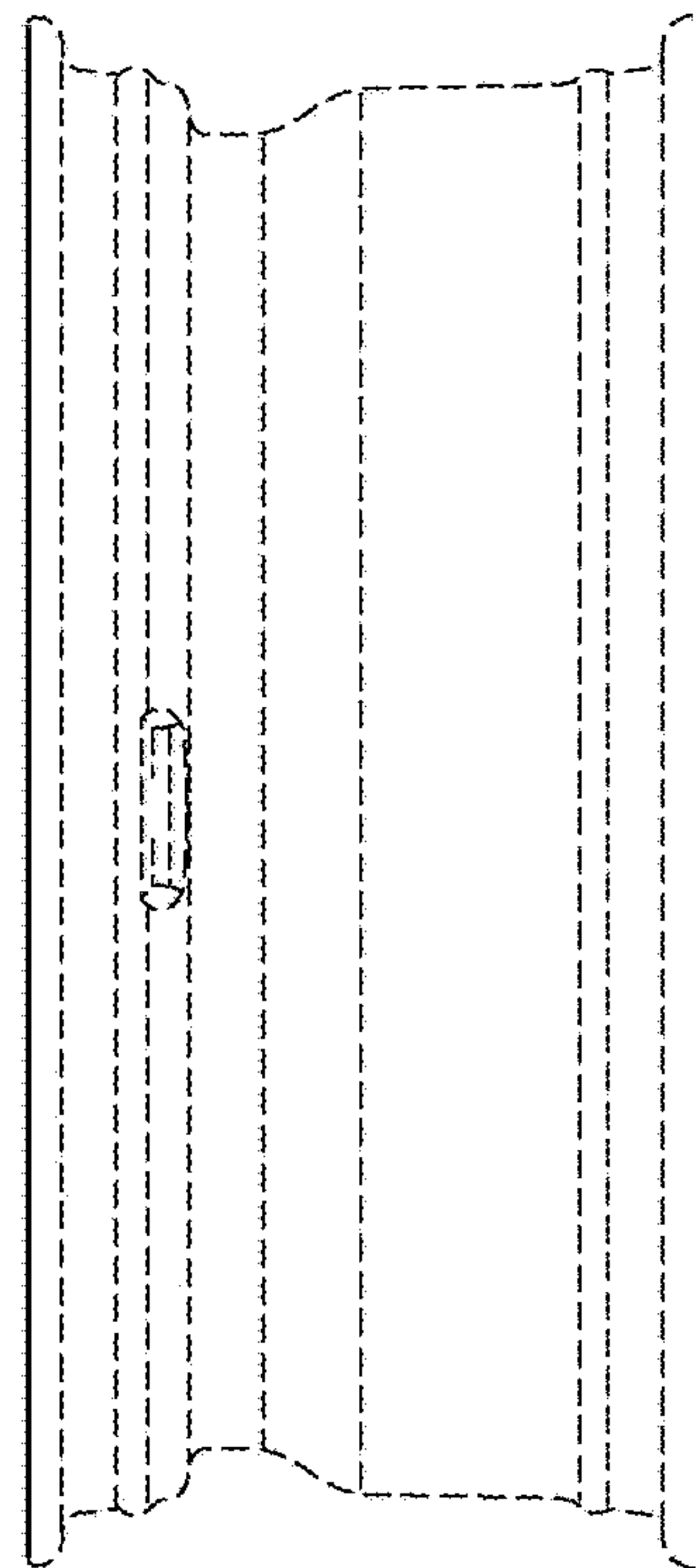


FIG. 4