



US00D819534S

(12) **United States Design Patent**
Buffery

(10) **Patent No.:** **US D819,534 S**
(45) **Date of Patent:** **** Jun. 5, 2018**

(54) **REAR DOOR CASING**

(71) Applicant: **Jaguar Land Rover Limited**, Whitley, Coventry (GB)

(72) Inventor: **Martin Buffery**, Coventry (GB)

(73) Assignee: **Jaguar Land Rover Limited**, Whitley, Coventry (GB)

(**) Term: **15 Years**

(21) Appl. No.: **29/603,231**

(22) Filed: **May 8, 2017**

(30) **Foreign Application Priority Data**

Nov. 11, 2016 (EM) 003459536-0007
Nov. 11, 2016 (EM) 003459536-0008

(51) **LOC (11) Cl.** **12-16**

(52) **U.S. Cl.**
USPC **D12/195**

(58) **Field of Classification Search**
USPC D12/195, 193, 414, 190, 196; D15/28,
D15/196, 17; D10/46, 98, 102-103;
D8/302-303

(Continued)

(56) **References Cited**

U.S. PATENT DOCUMENTS

D720,267 S * 12/2014 Norman D12/195
D721,023 S * 1/2015 Wiedeman D12/195

(Continued)

Primary Examiner — Katrina A Betton

(74) *Attorney, Agent, or Firm* — Wood Herron & Evans LLP

(57) **CLAIM**

The ornamental design for a rear door casing, as shown and described.

DESCRIPTION

FIG. 1 is a front left perspective view of a rear door casing for a vehicle according to the present invention.

FIG. 2 is a front right perspective view of the rear door casing shown in FIG. 1.

FIG. 3 is a rear right perspective view thereof.

FIG. 4 is a rear left perspective view thereof.

FIG. 5 is a front view thereof.

FIG. 6 is a rear view thereof.

FIG. 7 is a left side view thereof.

FIG. 8 is a right side view thereof.

FIG. 9 is a top view thereof.

FIG. 10 is a bottom view thereof.

FIG. 11 is a front left perspective view of a rear door casing for a vehicle according to a second embodiment of the present invention.

FIG. 12 is a front right perspective view of the rear door casing shown in FIG. 11.

FIG. 13 is a front left perspective view of a rear door casing for a vehicle according to a third embodiment of the present invention.

FIG. 14 is a front right perspective view of the rear door casing shown in FIG. 13.

FIG. 15 is a rear left perspective view thereof.

FIG. 16 is a rear right perspective view thereof.

FIG. 17 is a front view thereof.

FIG. 18 is a rear view thereof.

FIG. 19 is a left side view thereof.

FIG. 20 is a right side view thereof.

FIG. 21 is a top view thereof.

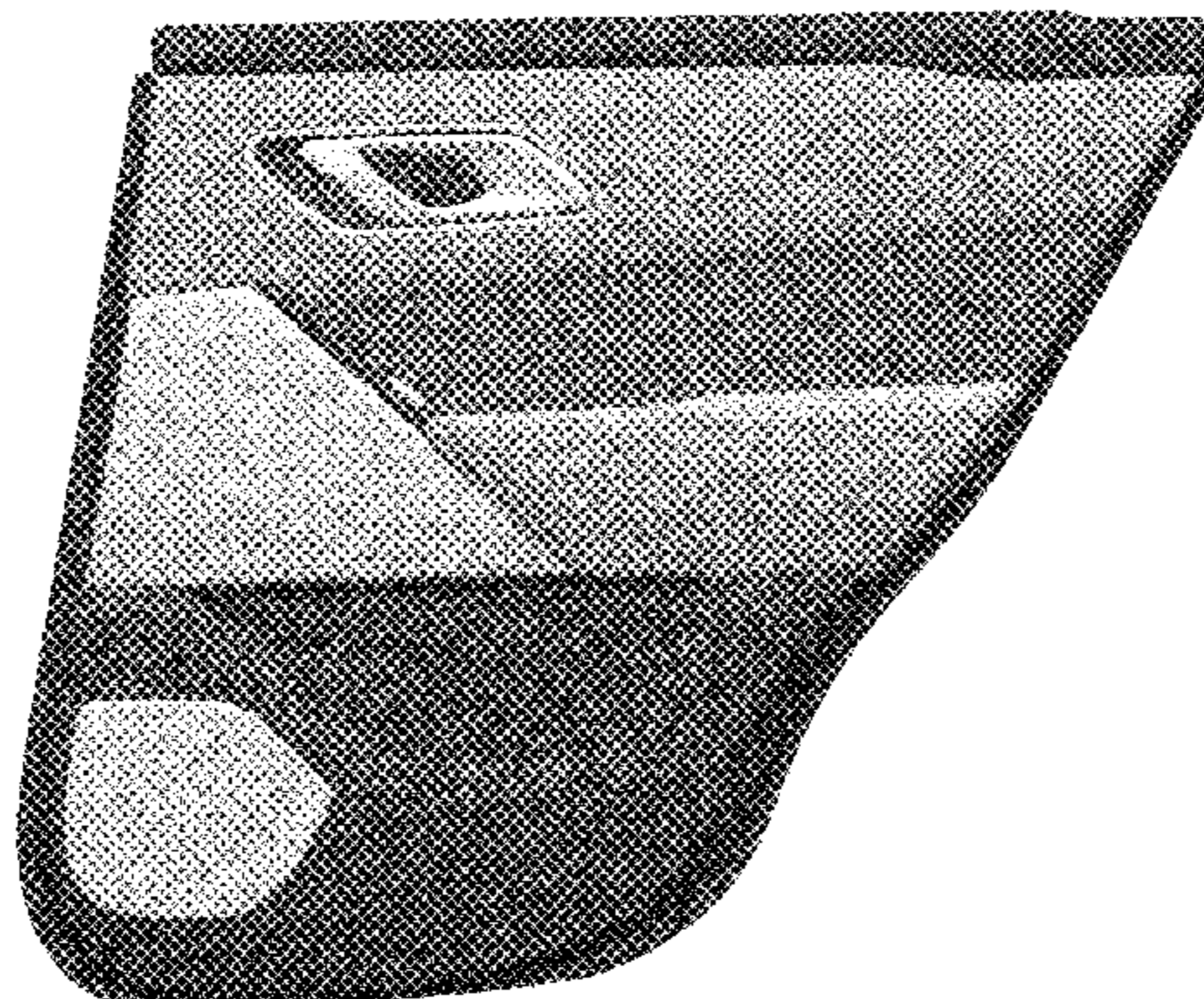
FIG. 22 is a bottom view thereof.

FIG. 23 is a front left perspective view of a rear door casing for a vehicle according to a fourth embodiment of the present invention; and,

FIG. 24 is a front right perspective view of the front door casing shown in FIG. 23.

The broken lines in FIGS. 11, 12, 23, and 24 show environmental structure and form no part of the claimed invention.

1 Claim, 20 Drawing Sheets



(58) **Field of Classification Search**

CPC B60J 5/04; B60N 2/466; B60N 2/4693;
B60R 13/0243

See application file for complete search history.

(56) **References Cited**

U.S. PATENT DOCUMENTS

D722,933	S	*	2/2015	Ishikawa	D12/195
D743,863	S	*	11/2015	Finney	D12/195
D761,176	S	*	7/2016	Sandys	D12/195
D763,757	S	*	8/2016	Buffery	D12/195
D768,042	S	*	10/2016	Lee	D12/195
D783,481	S	*	4/2017	Yamamoto	D12/195
D784,882	S	*	4/2017	Lee	D12/195
D784,883	S	*	4/2017	Lee	D12/195
D801,899	S	*	11/2017	Watkin	D12/195
D807,267	S	*	1/2018	Higashimori	D12/195

* cited by examiner

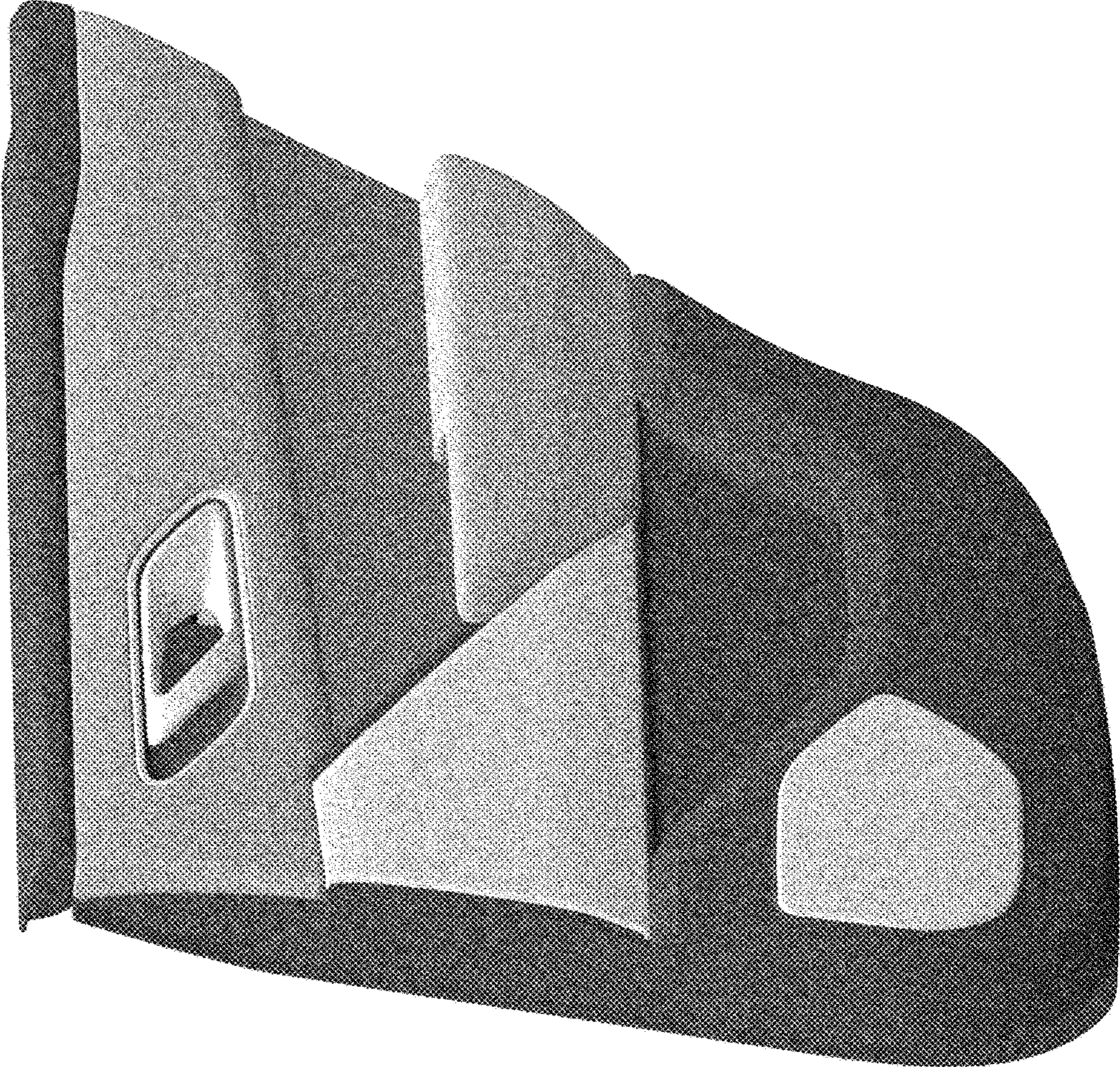


FIG. 1

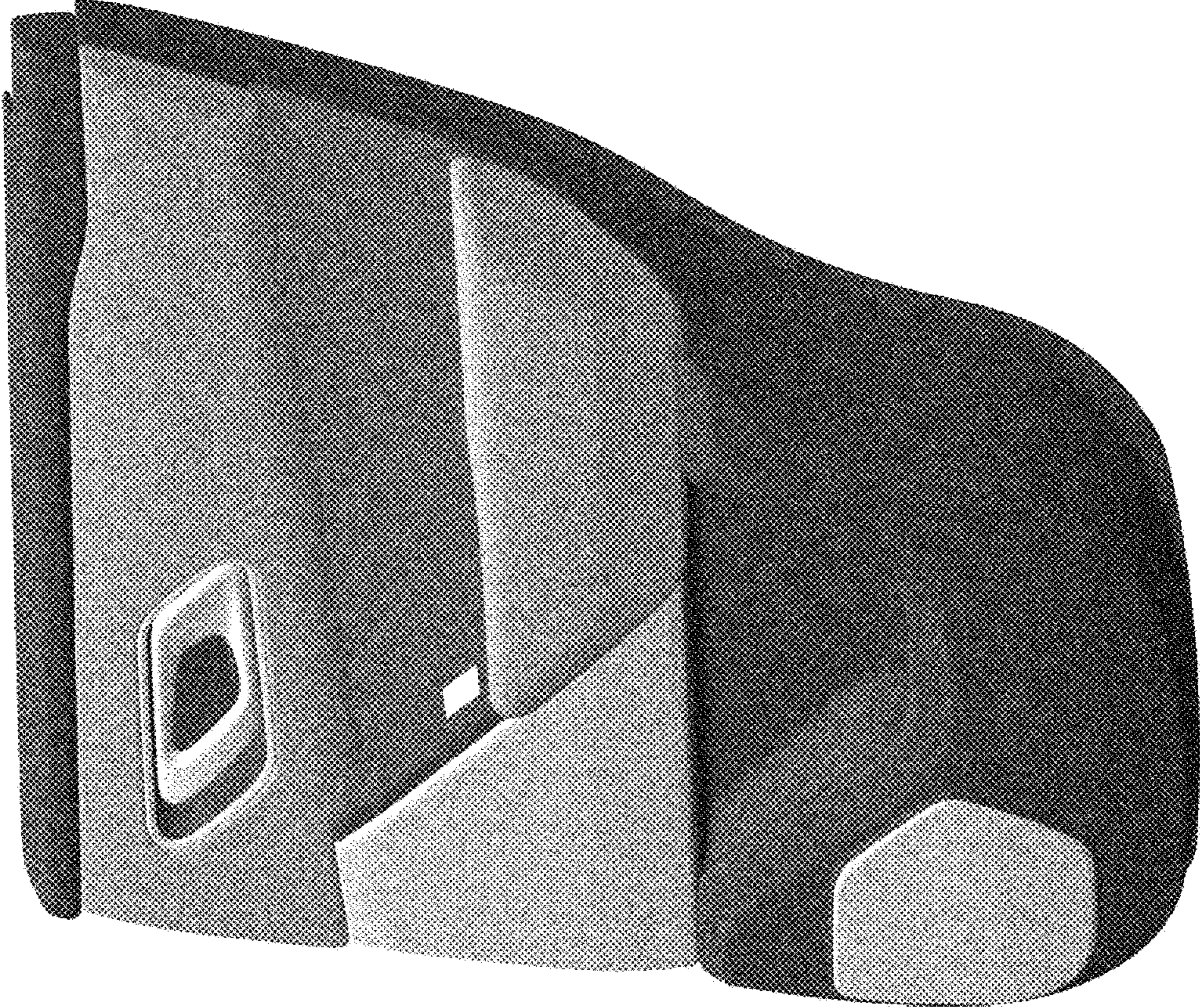


FIG. 2

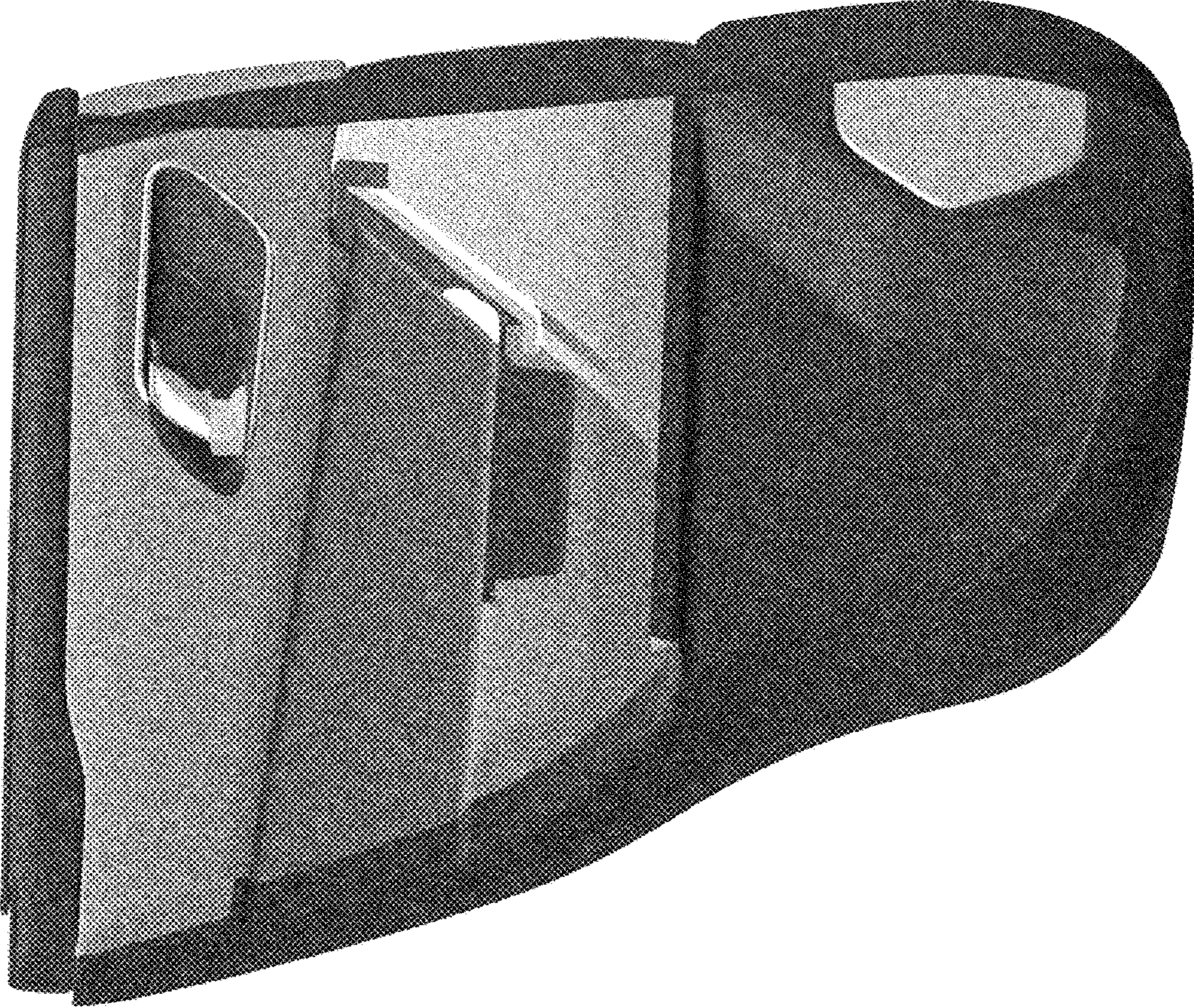


FIG. 3

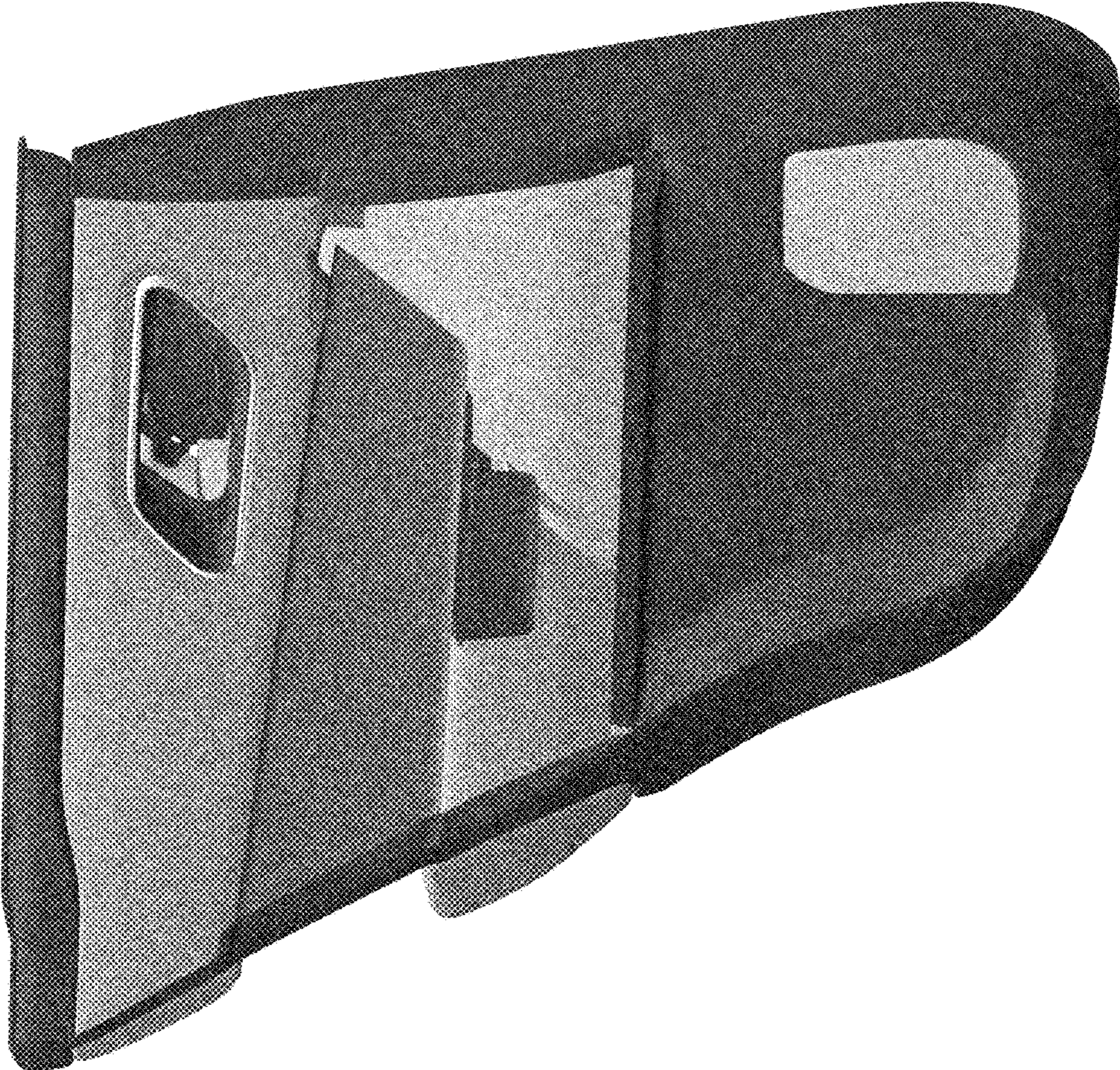


FIG. 4

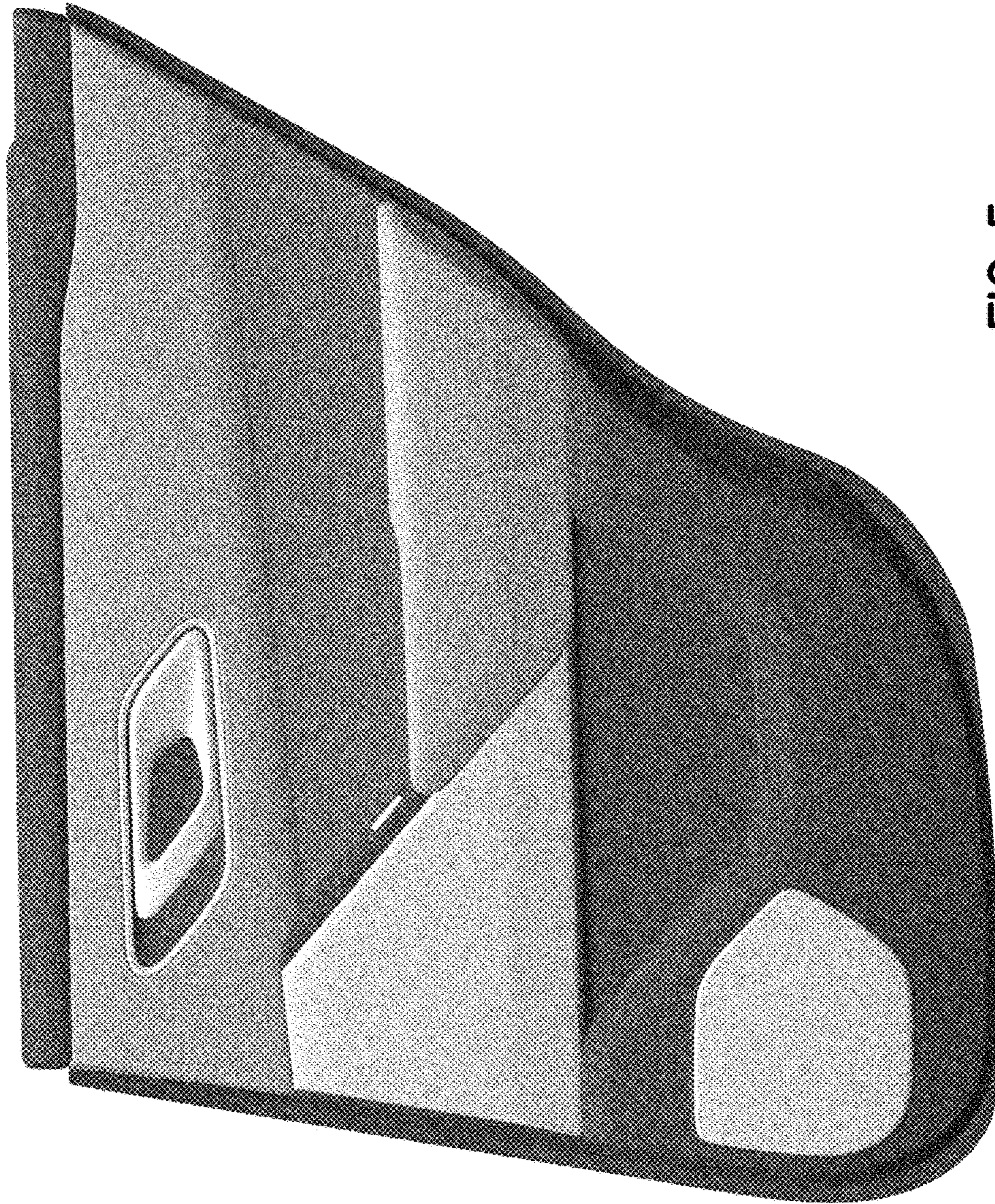


FIG. 5

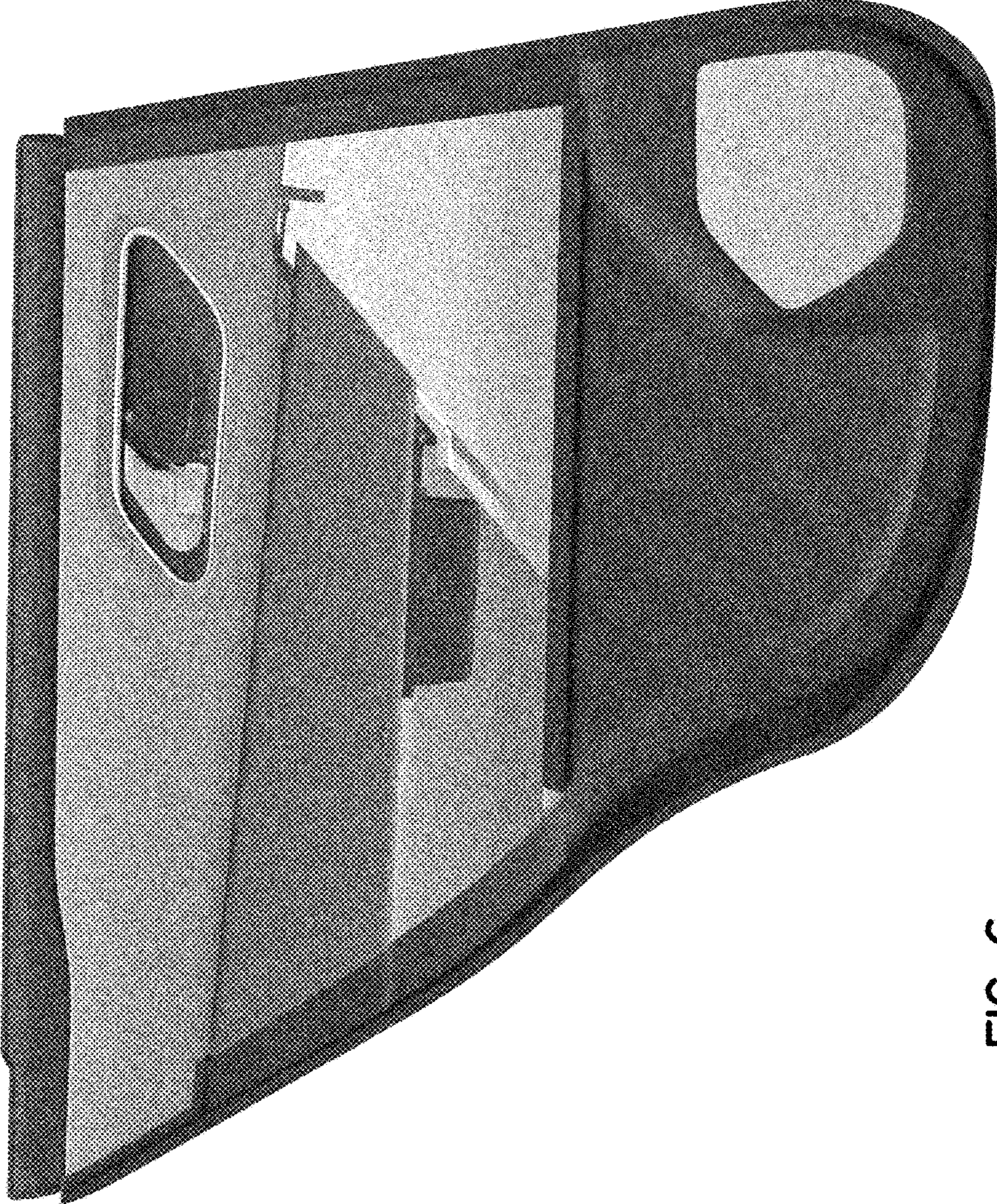


FIG. 6

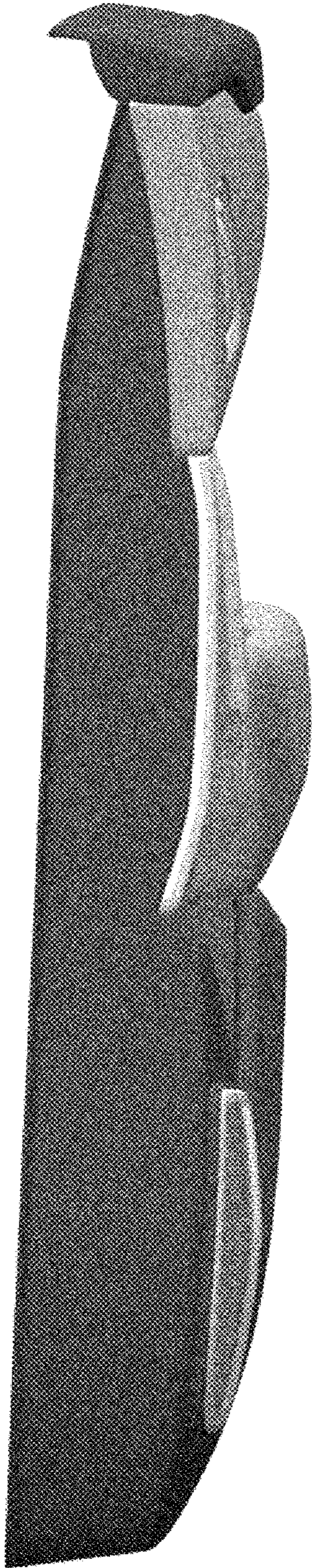


FIG. 7

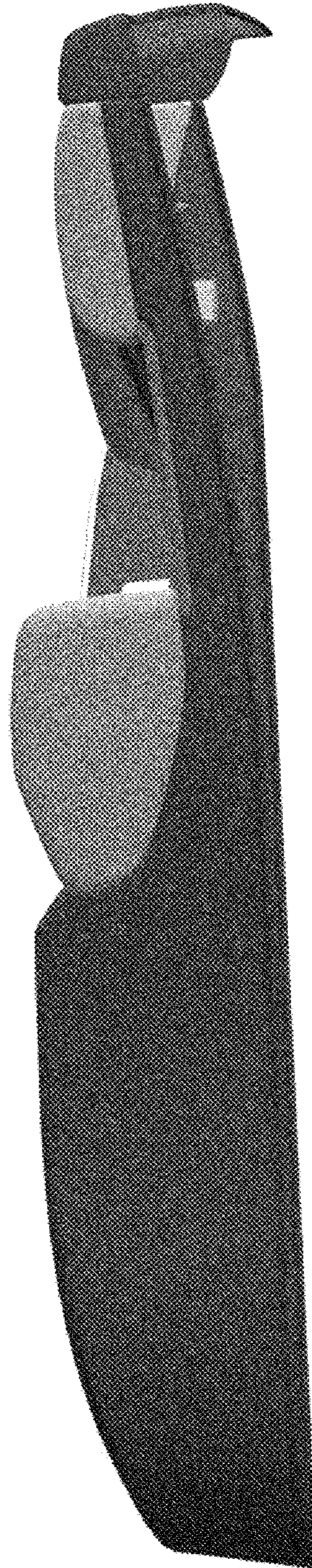


FIG. 8

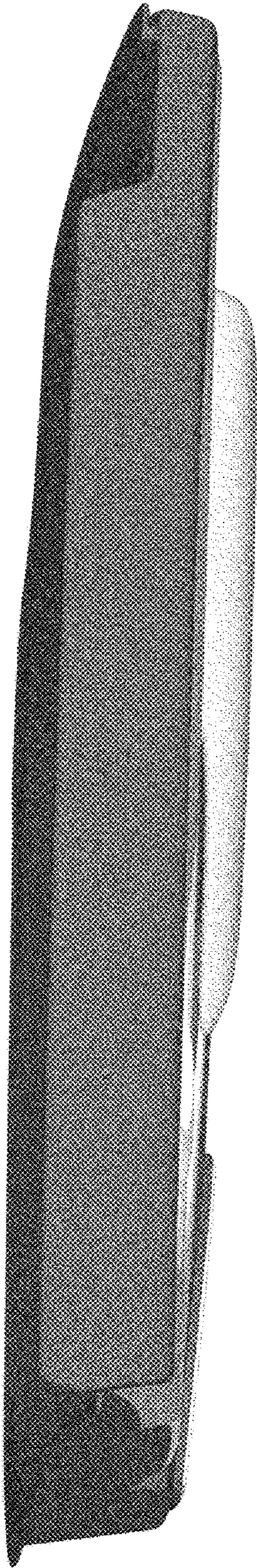


FIG. 9

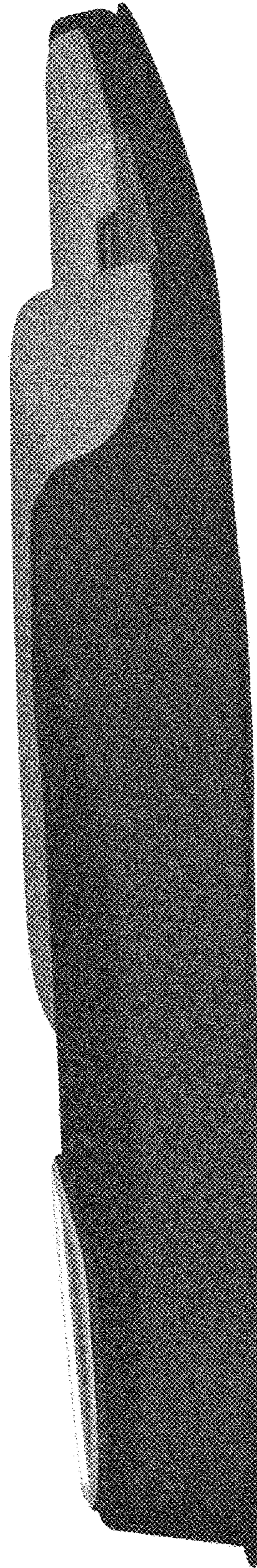


FIG. 10

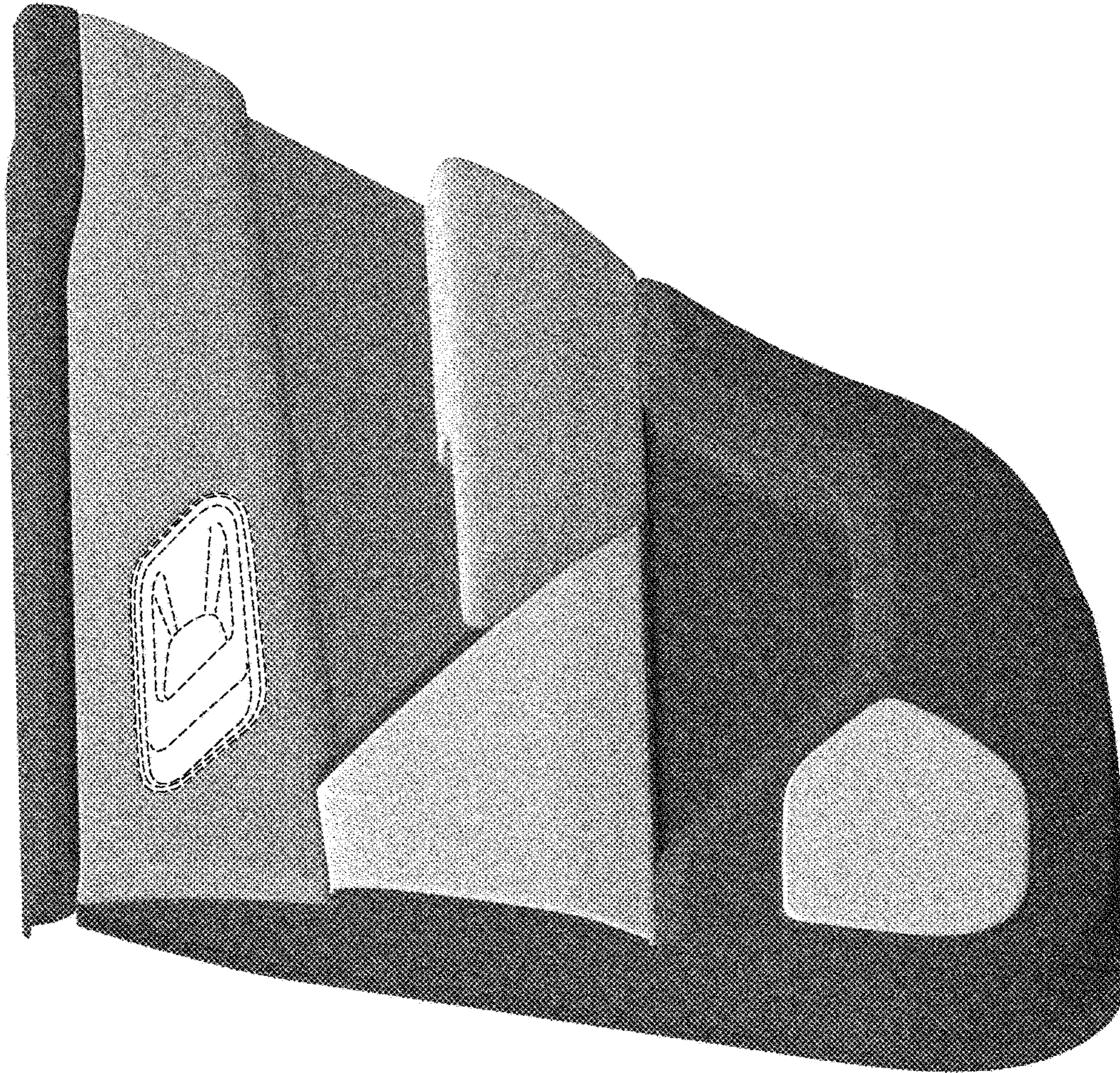


FIG. 11

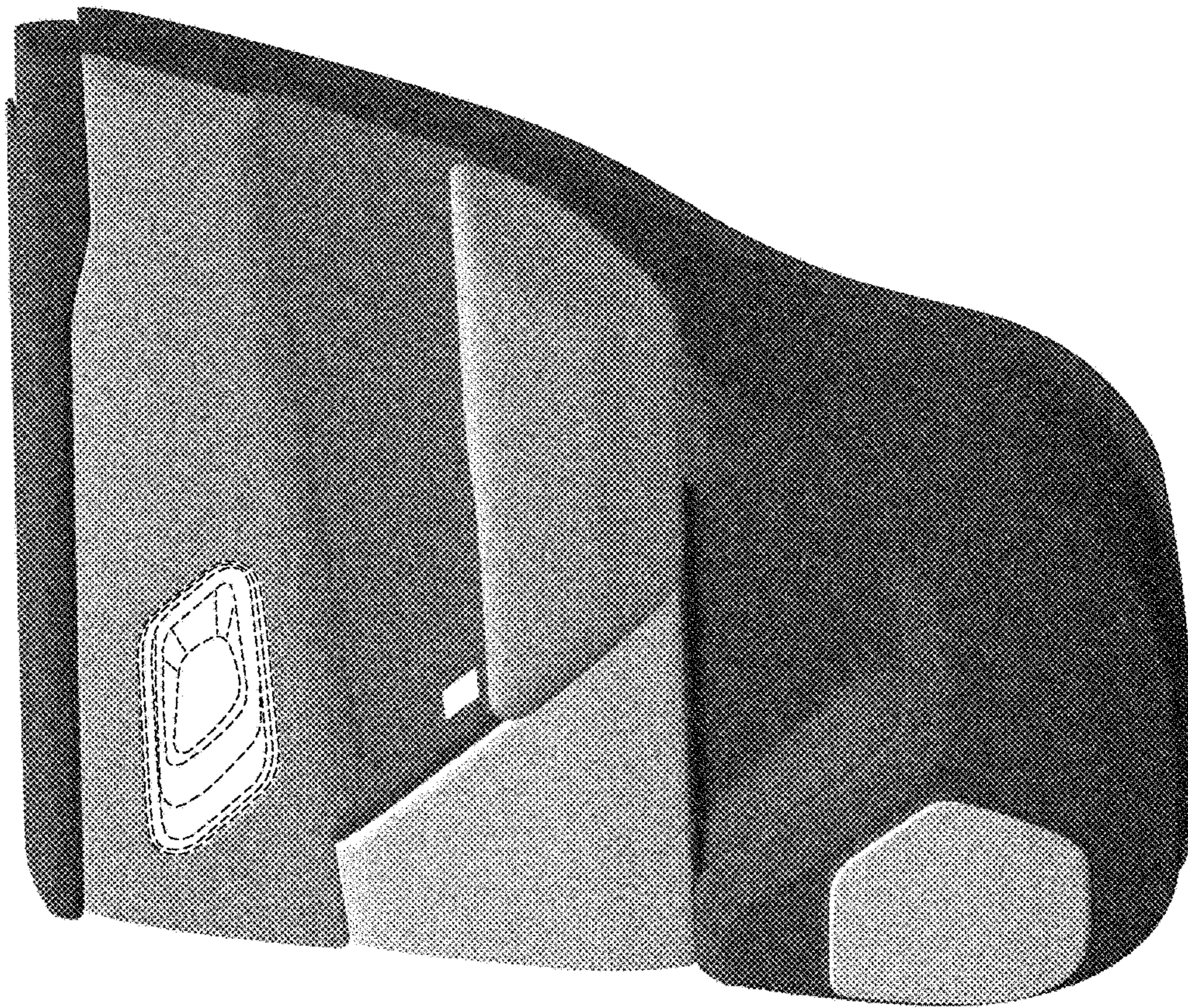


FIG. 12

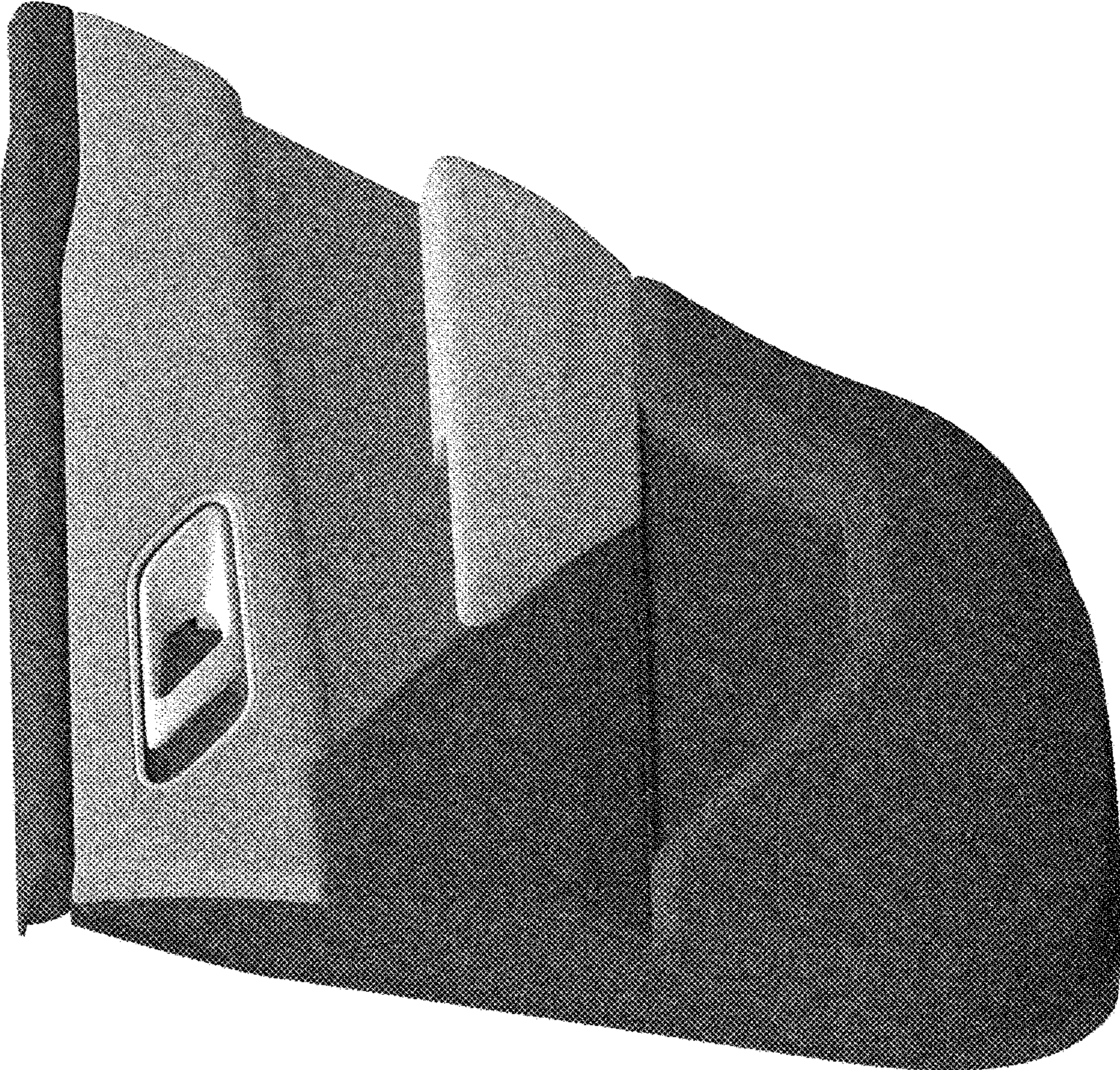


FIG. 13

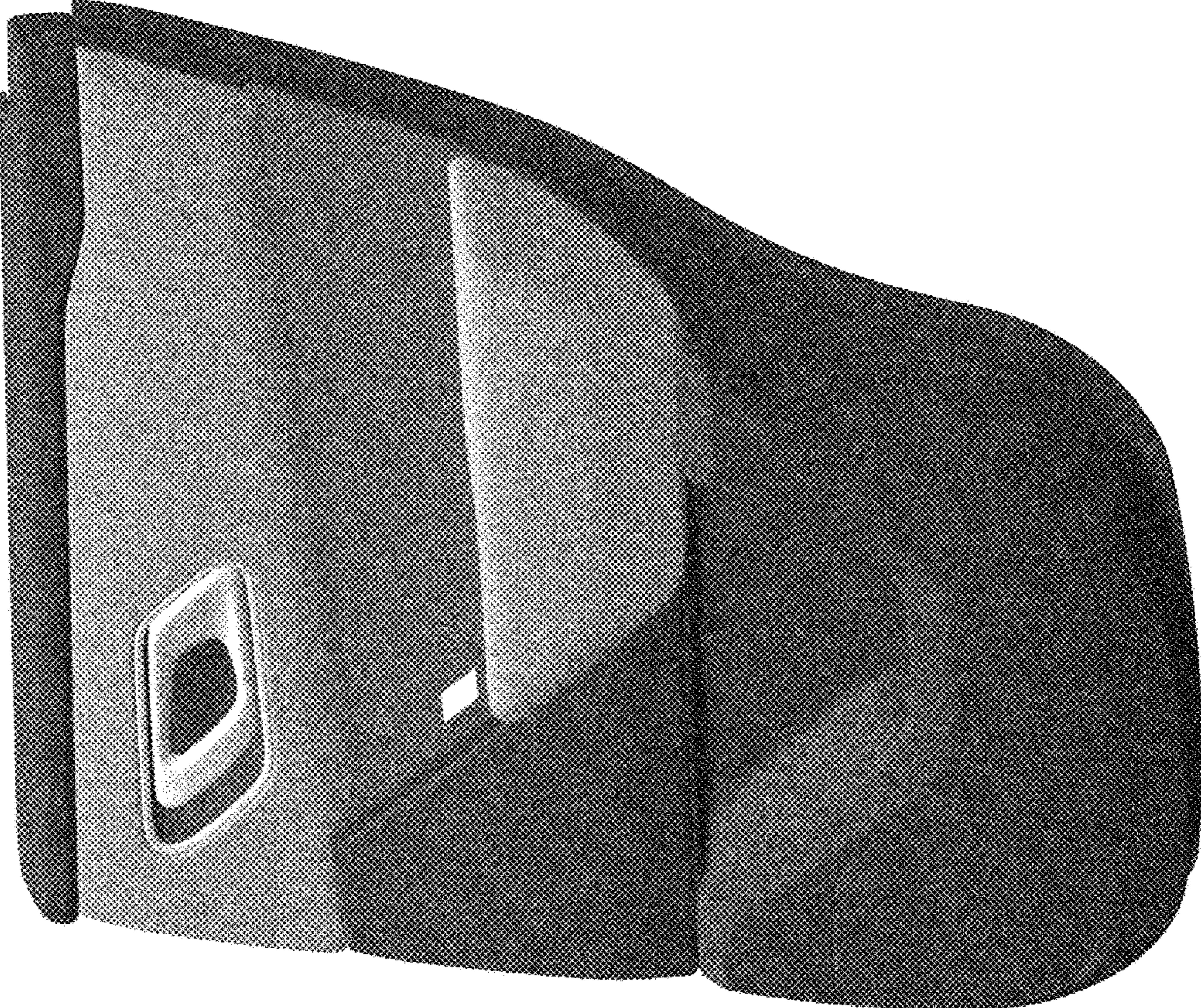


FIG. 14

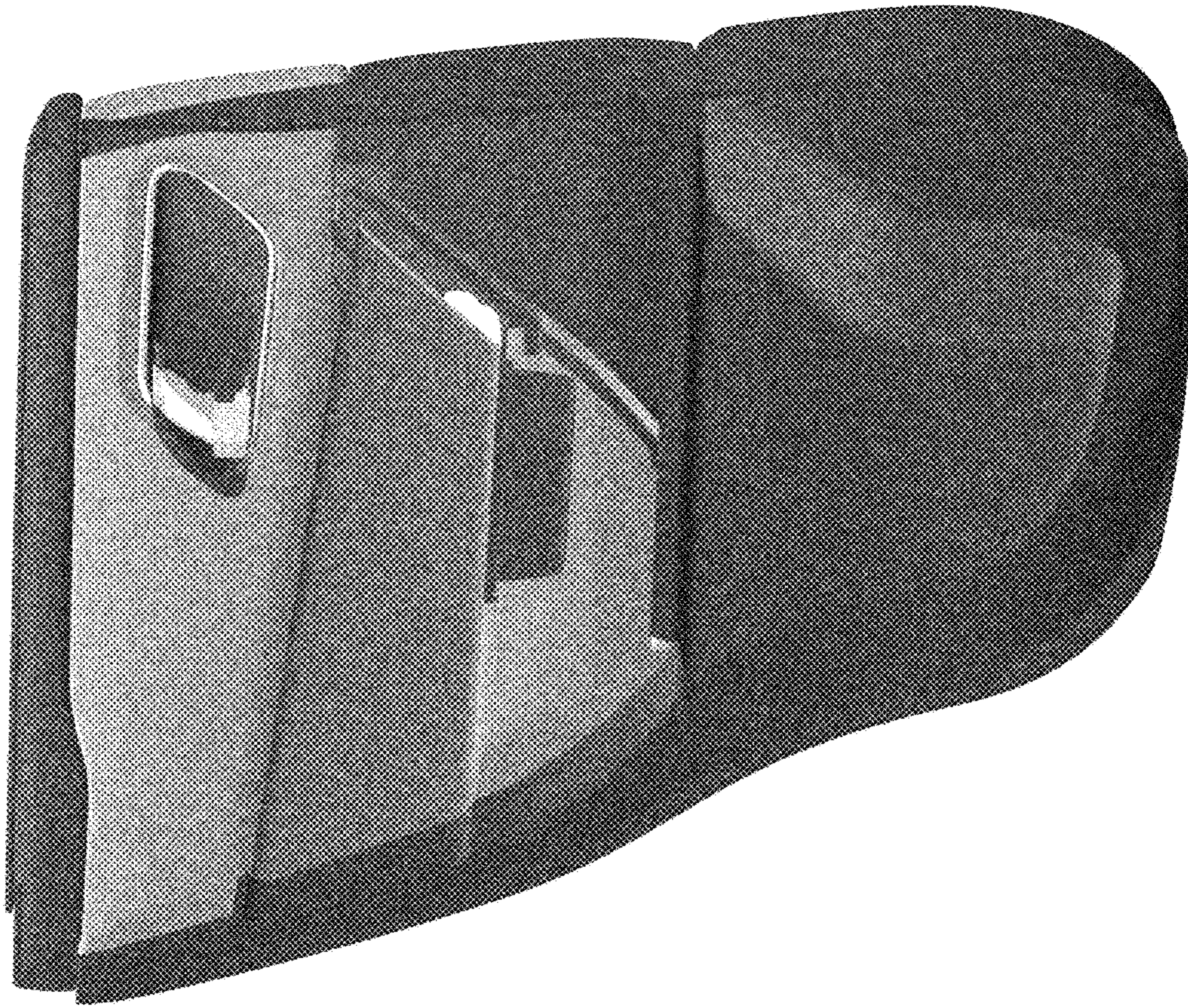


FIG. 15

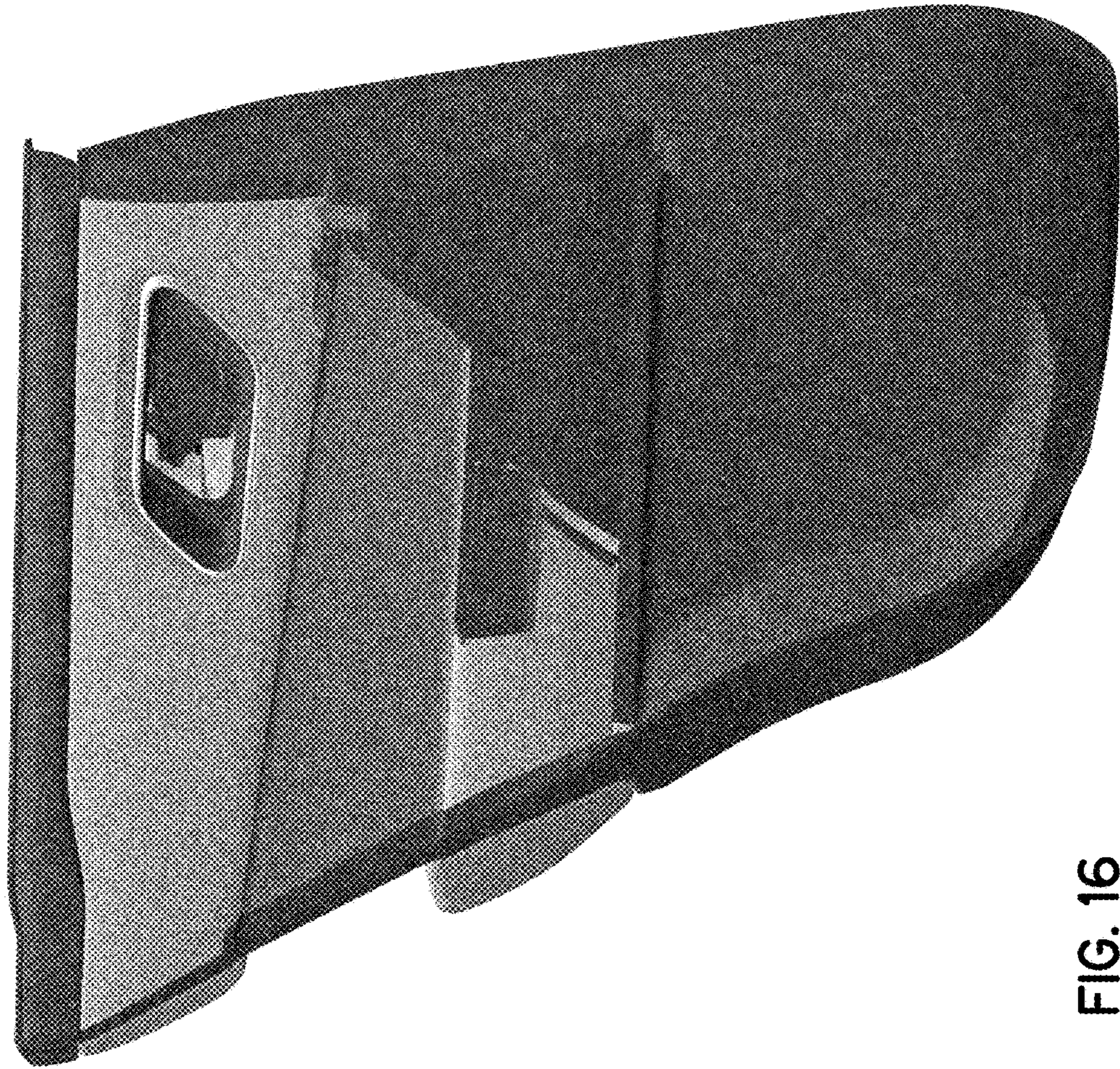


FIG. 16

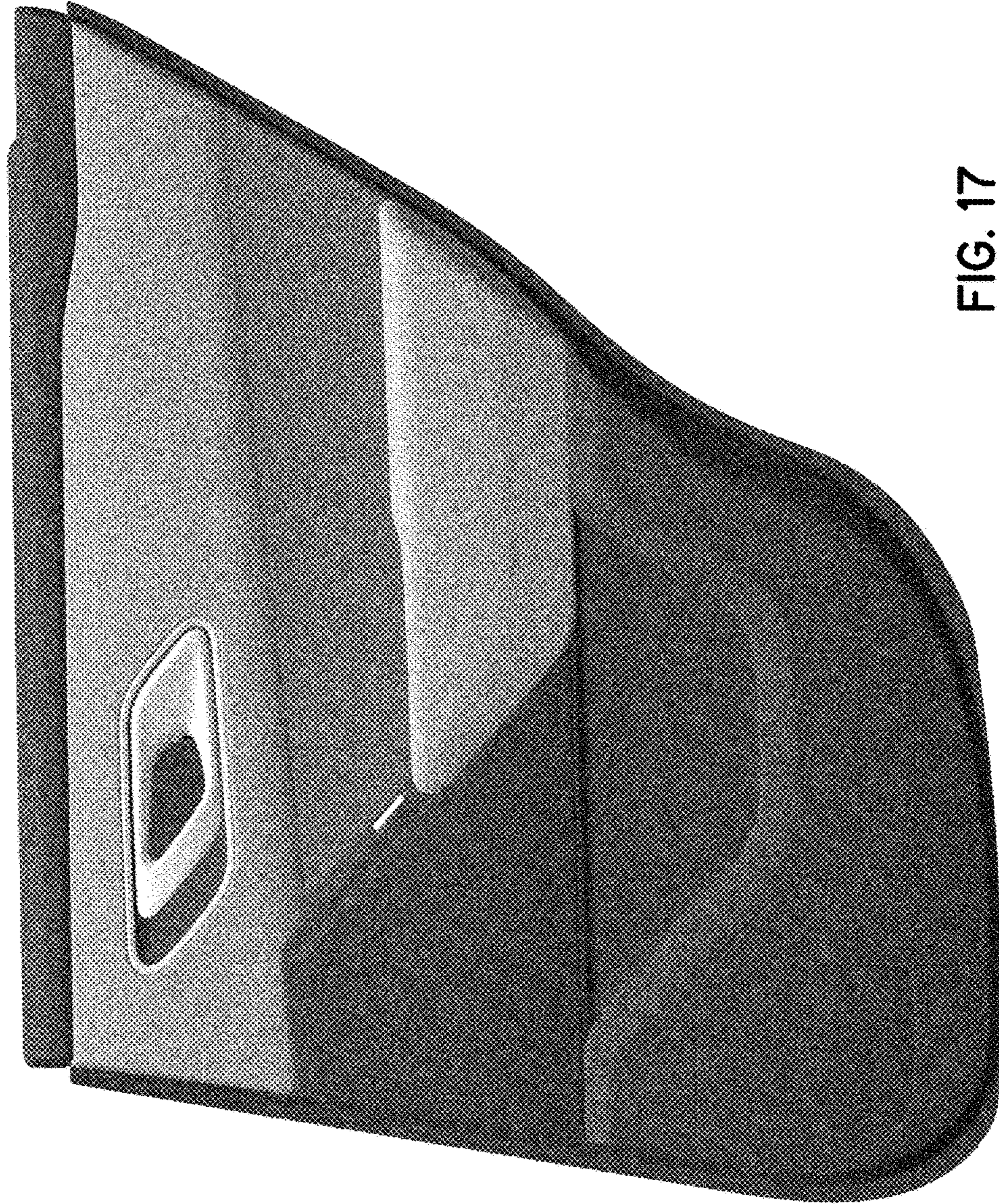


FIG. 17

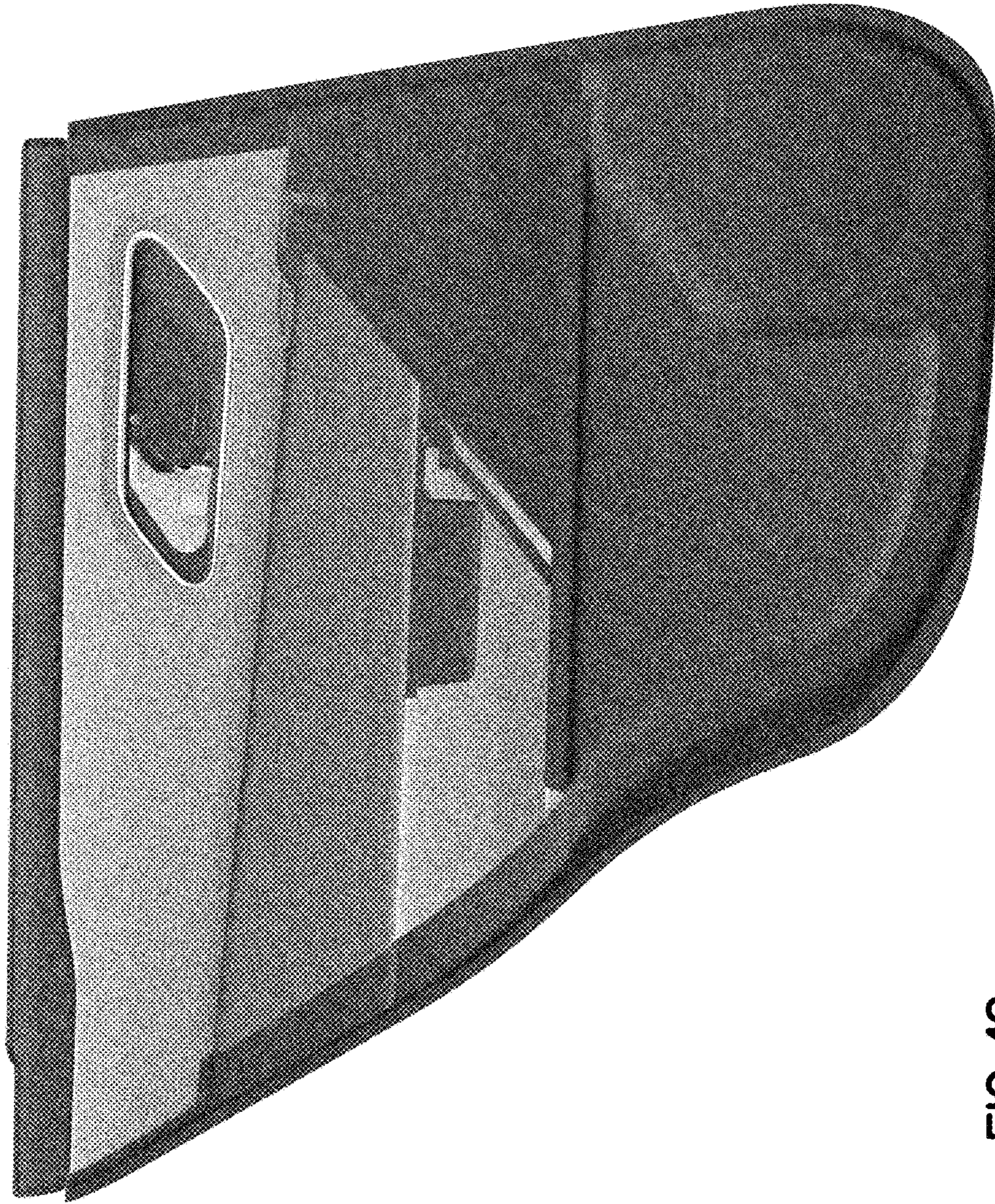


FIG. 18

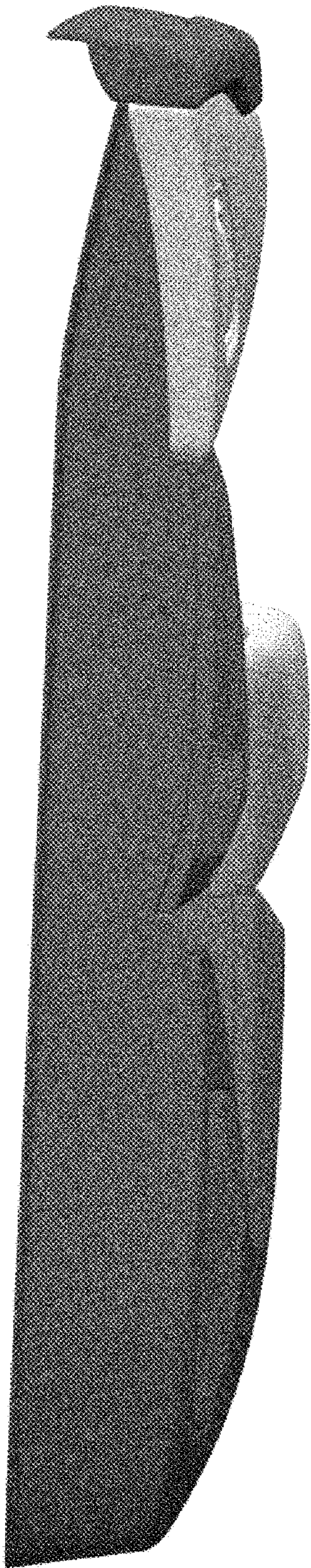


FIG. 19

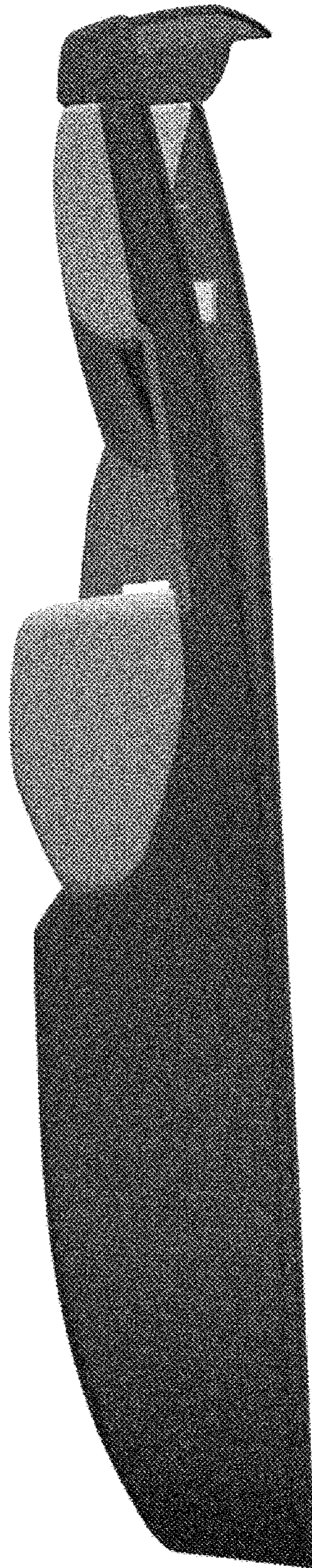


FIG. 20

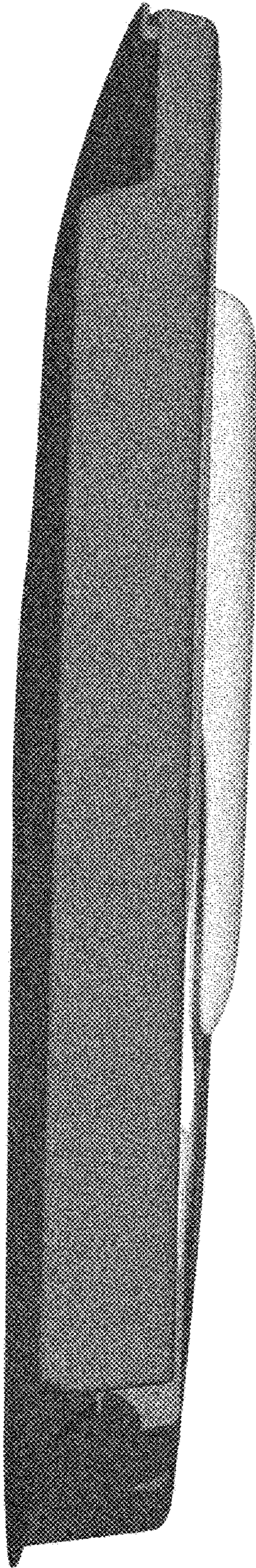


FIG. 21

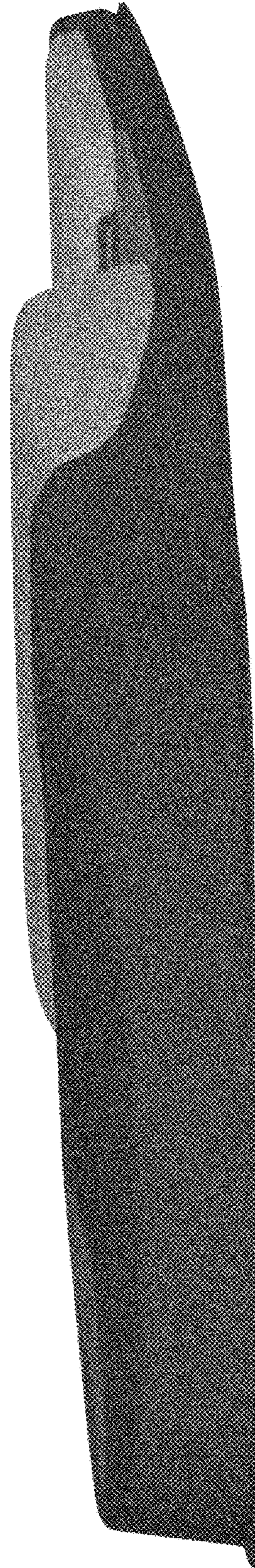


FIG. 22

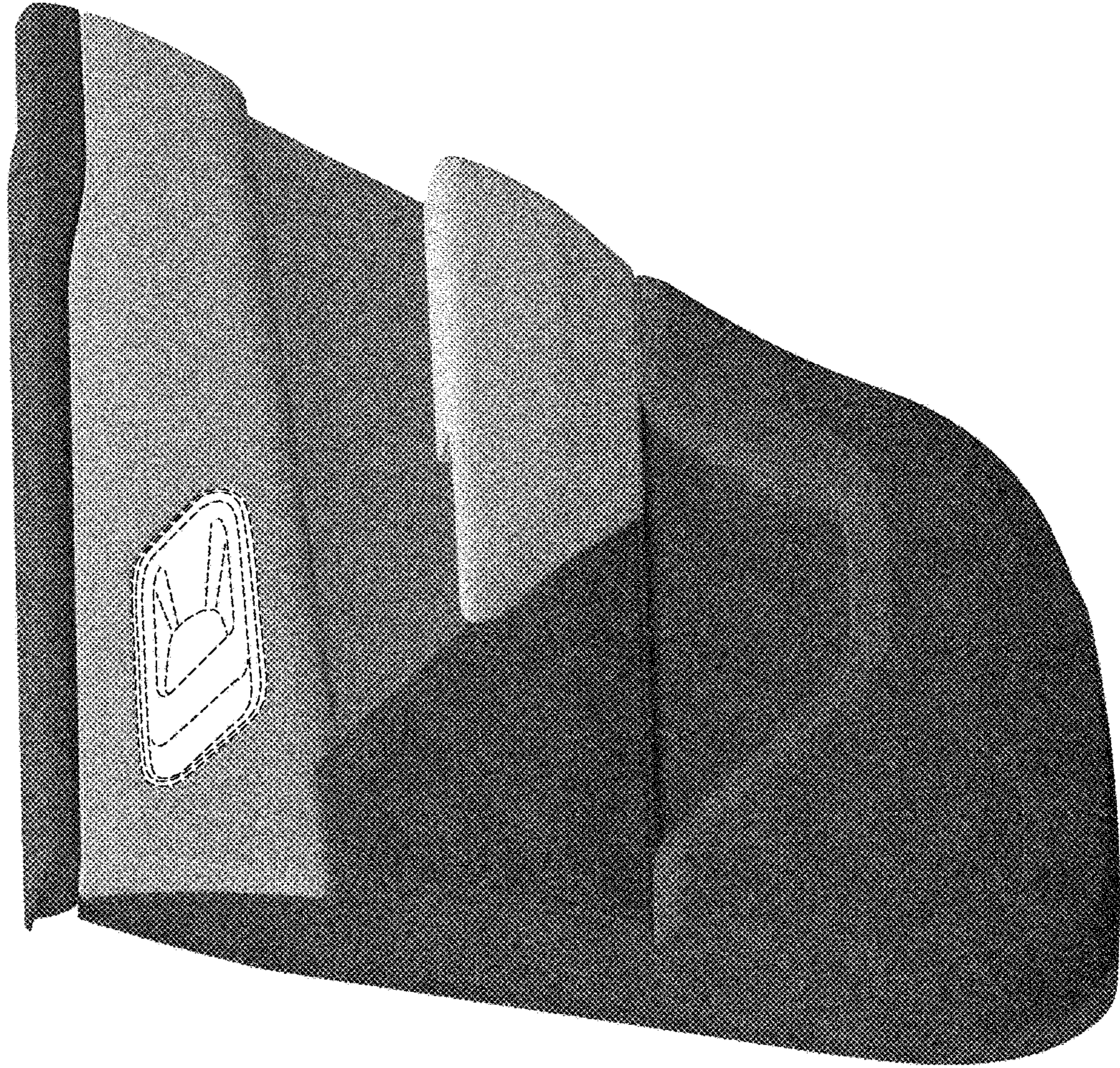


FIG. 23



FIG. 24