



US00D819531S

(12) **United States Design Patent**
Ye

(10) **Patent No.:** **US D819,531 S**

(45) **Date of Patent:** **** Jun. 5, 2018**

(54) **WINDSHIELD CONNECTION STRIP**

(71) Applicant: **Chongqing Richland Mold Corp.,**
Chongqing (CN)

(72) Inventor: **Lin Ye,** Chongqing (CN)

(73) Assignee: **CHONGQING RICHLAND MOLD**
CORP., Chongqing (CN)

(**) Term: **15 Years**

(21) Appl. No.: **29/585,569**

(22) Filed: **Nov. 27, 2016**

(30) **Foreign Application Priority Data**

Aug. 2, 2016 (CN) 2016 3 0362968

(51) **LOC (11) Cl.** **12-16**

(52) **U.S. Cl.**
USPC **D12/182**

(58) **Field of Classification Search**
USPC D12/163-165, 167, 169, 172, 181-182,
D12/196, 400; D25/119, 121
CPC B62D 33/0273; B62D 25/087; B60J 5/101;
B60J 5/10; B60J 5/107; B60J 1/02; B60J
1/04; B60J 10/02

See application file for complete search history.

(56) **References Cited**

U.S. PATENT DOCUMENTS

D363,697 S * 10/1995 Shibao D12/400
D372,453 S * 8/1996 Gold D12/400

D422,260 S * 4/2000 Meizlish D12/400
D518,900 S * 4/2006 Barnett D25/119
D557,430 S * 12/2007 Hansen D25/121
D636,314 S * 4/2011 Wang D12/190
D746,202 S * 12/2015 Schlater D12/190
D746,203 S * 12/2015 Schlater D12/190
D746,746 S * 1/2016 Schlater D12/190
9,586,465 B2 * 3/2017 Sanada B60J 10/30

* cited by examiner

Primary Examiner — Ruth McInroy

(74) *Attorney, Agent, or Firm* — Cheng-Ju Chiang

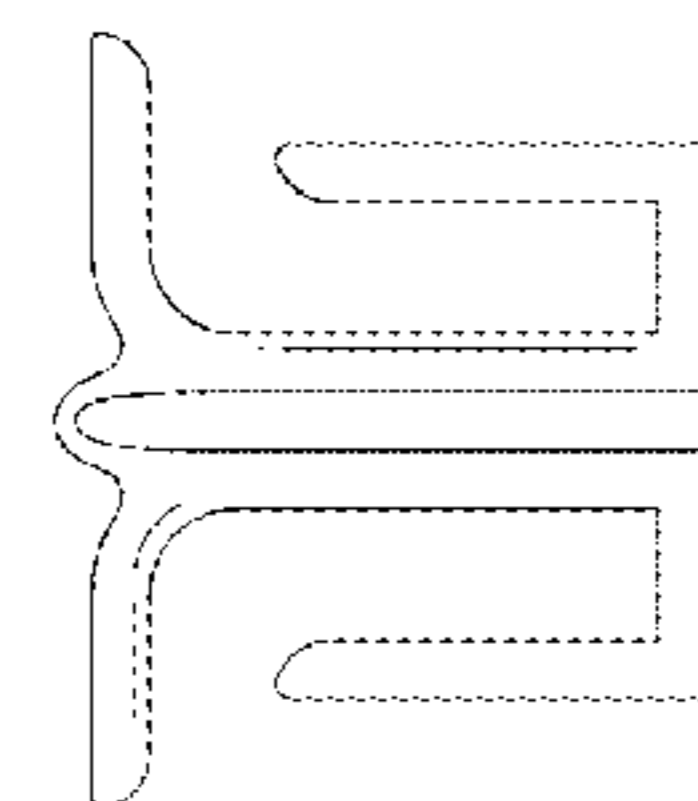
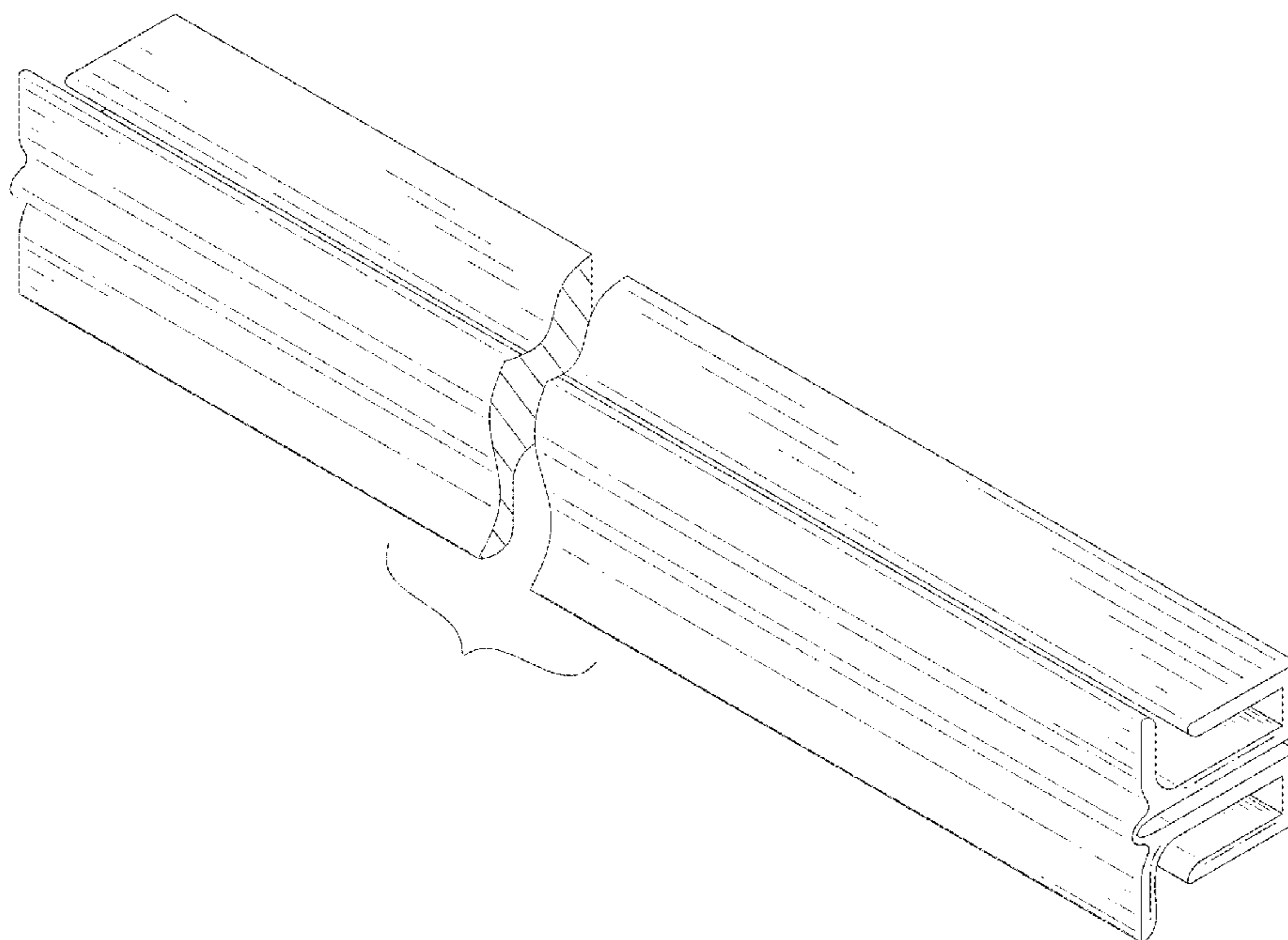
(57) **CLAIM**

The ornamental design for a windshield connection strip, as shown and described.

DESCRIPTION

FIG. 1 is a front, right and top perspective view of a windshield connection strip showing my new design; FIG. 2 is a front elevational view thereof; FIG. 3 is a rear elevational view thereof; FIG. 4 is a left side elevational view thereof; FIG. 5 is a right side elevational view thereof; FIG. 6 is a top plan view thereof; and, FIG. 7 is a bottom plan view thereof. The break in the drawings represents an indefinite length.

1 Claim, 7 Drawing Sheets



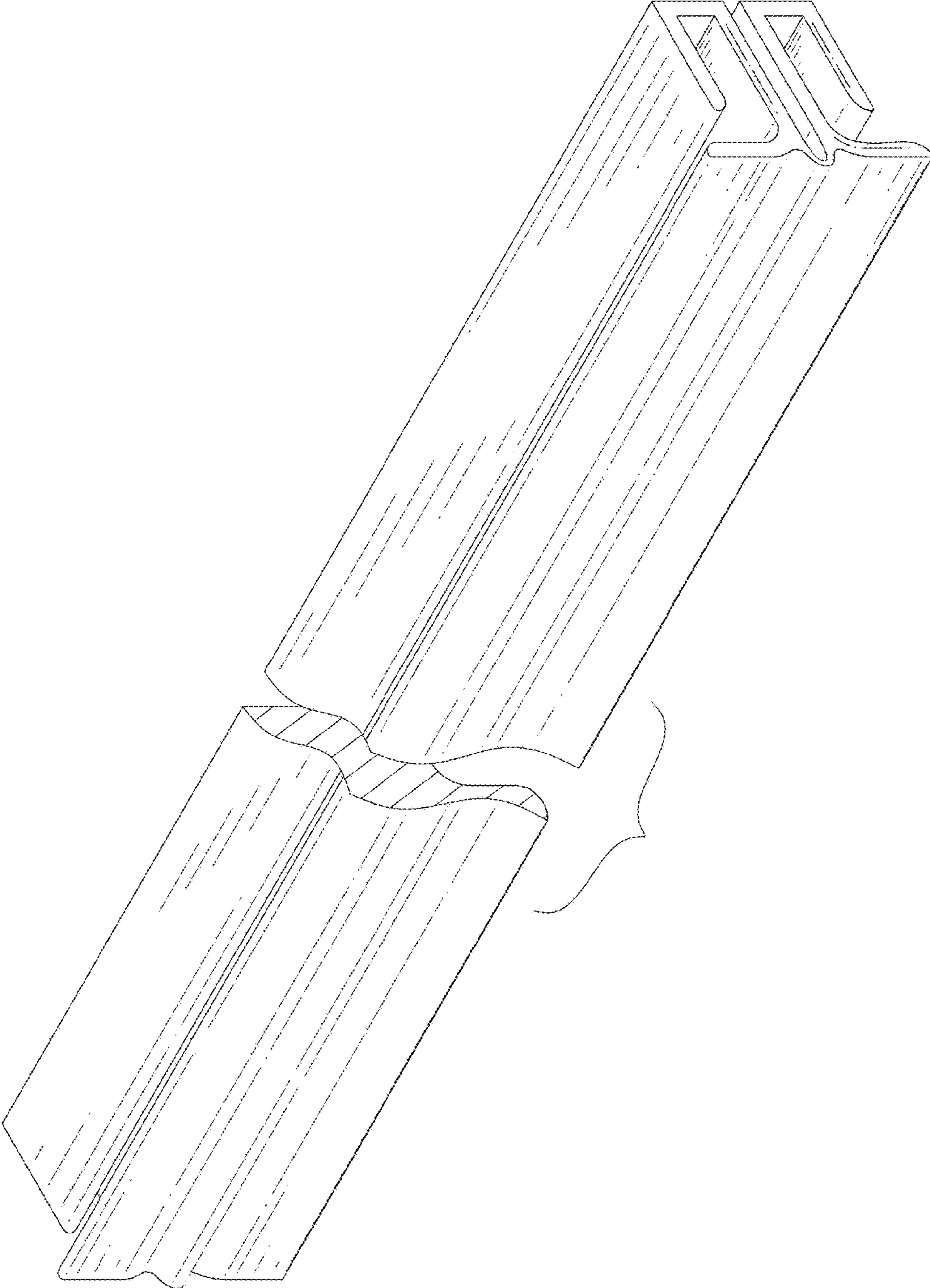


FIG. 1

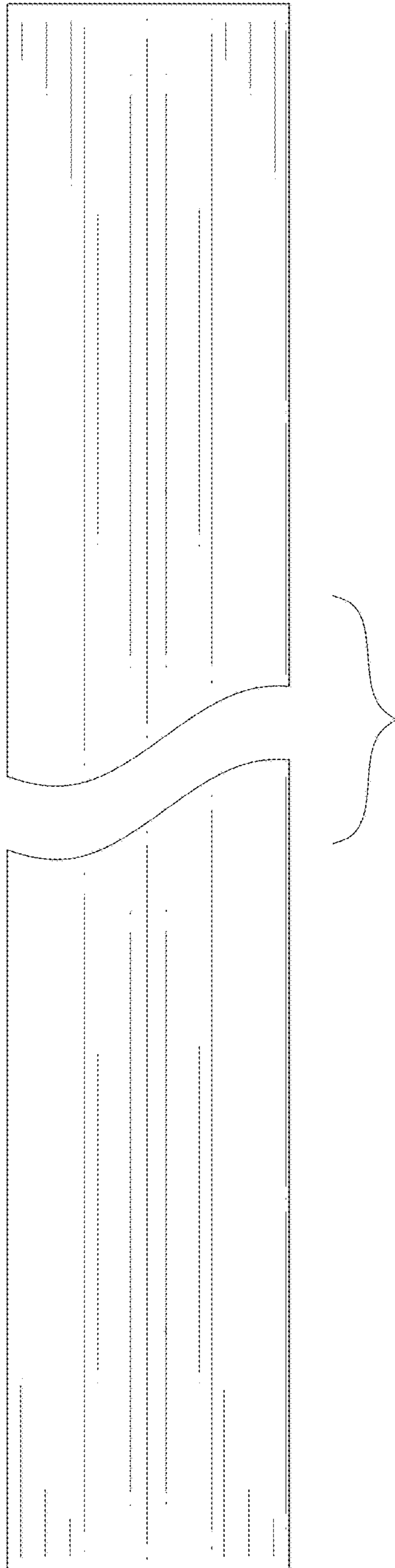


FIG. 2

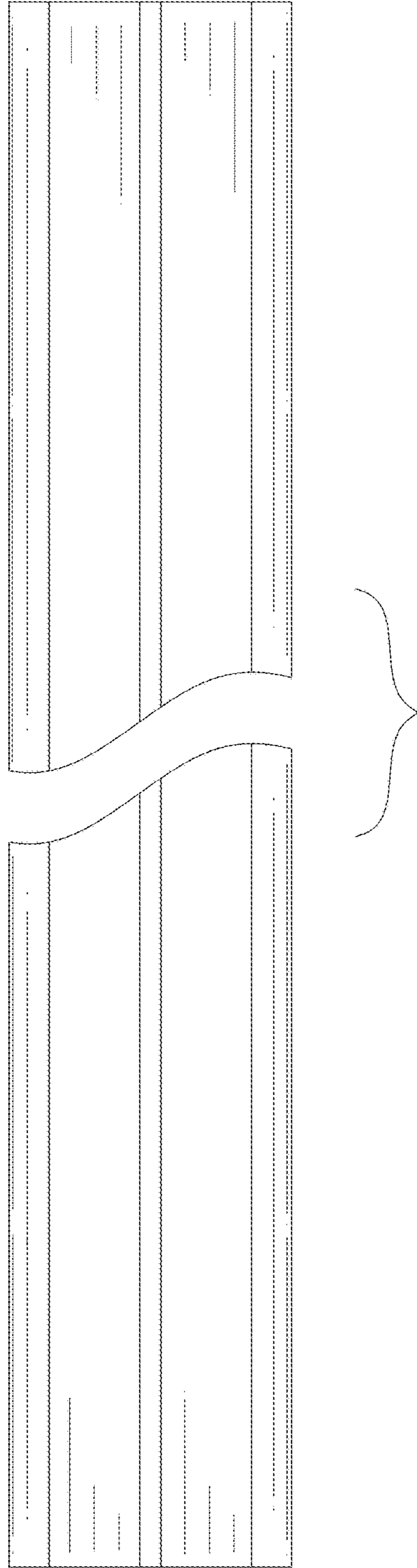


FIG. 3

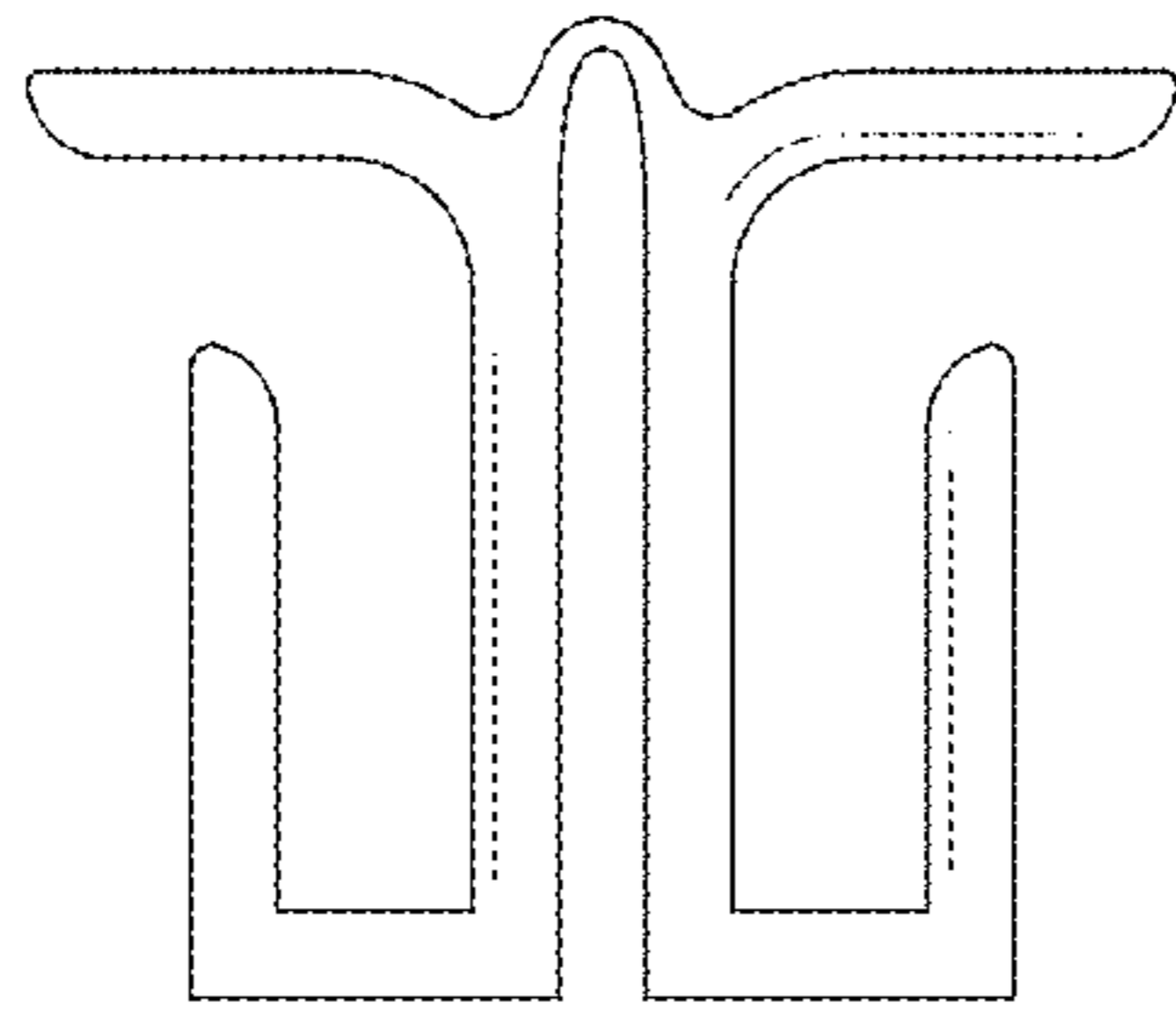


FIG. 4

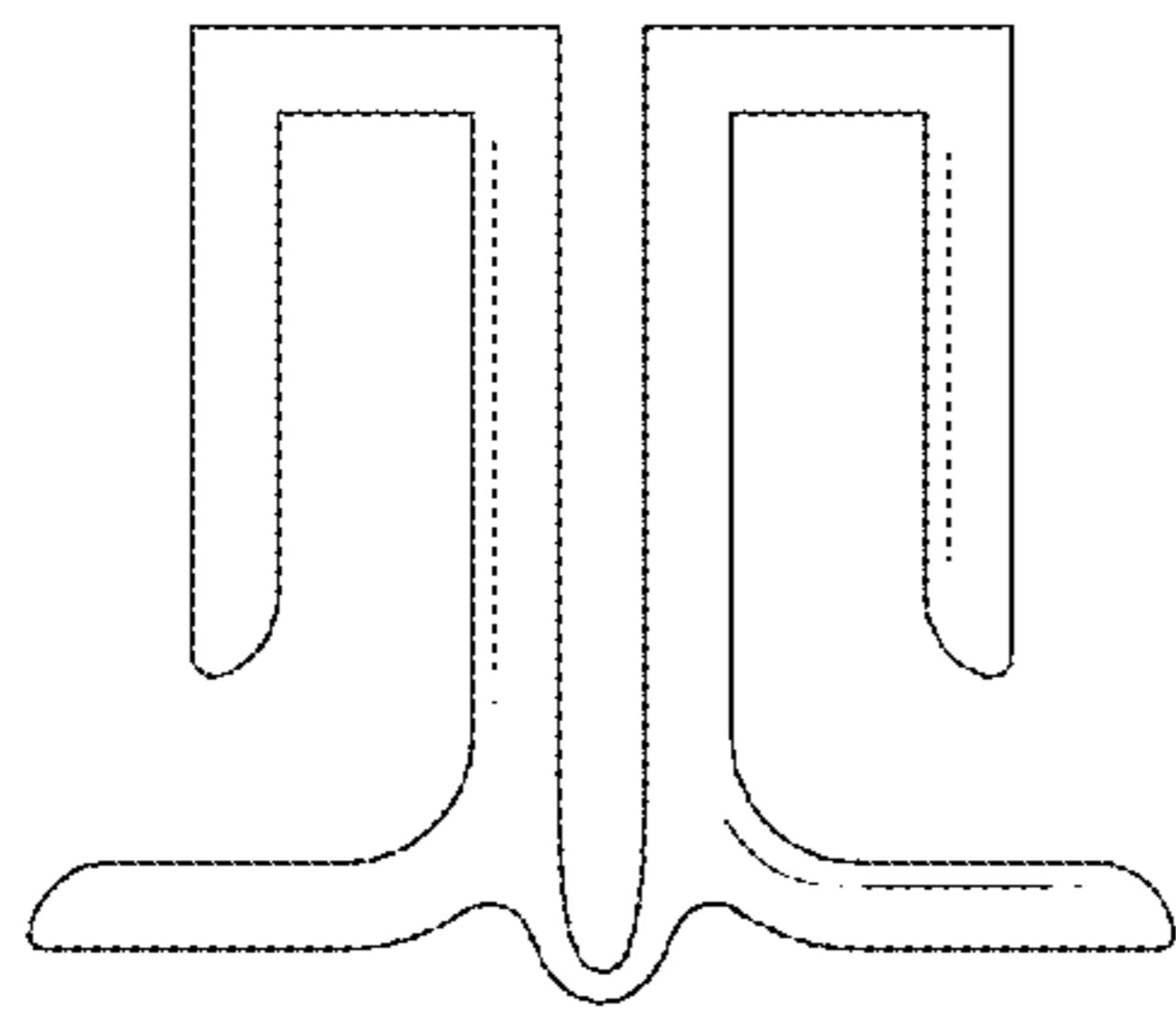


FIG. 5

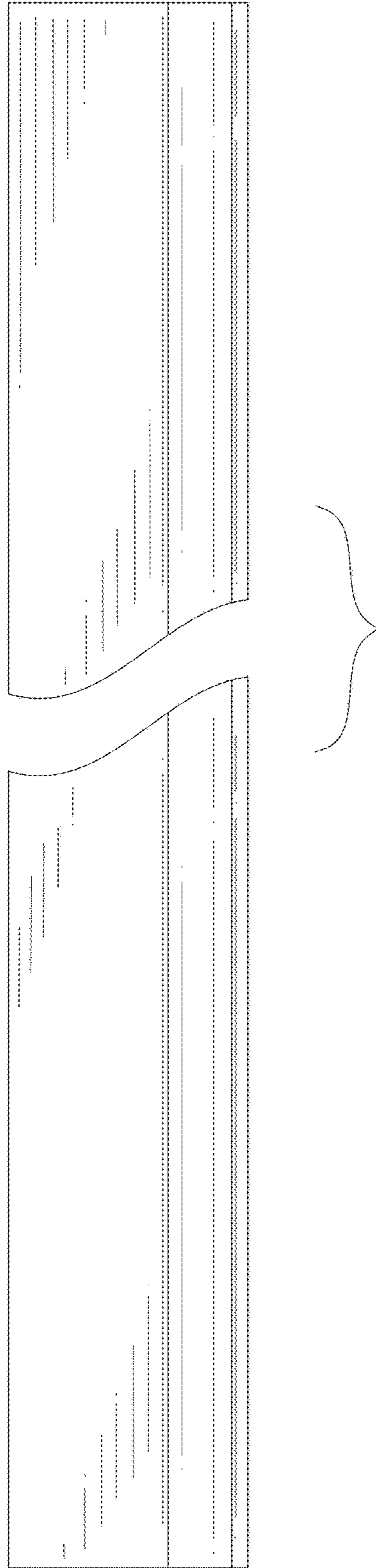


FIG. 6

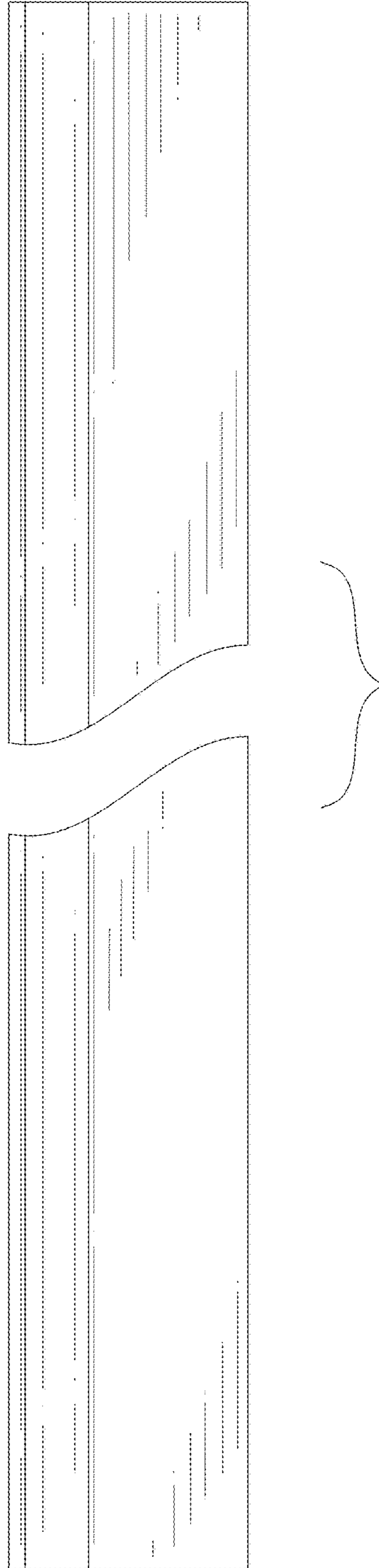


FIG. 7