



US00D819530S

(12) **United States Design Patent**
Heimann, Jr. et al.

(10) **Patent No.:** **US D819,530 S**
(45) **Date of Patent:** **** Jun. 5, 2018**

- (54) **TONE WHEEL**
- (71) Applicant: **A. J. Rose Manufacturing Co.**, Avon, OH (US)
- (72) Inventors: **Rudy J. Heimann, Jr.**, Brunswick, OH (US); **Michael G. Nejman**, Avon, OH (US)
- (73) Assignee: **A.J. Rose Manufacturing Co.**, Avon, OH (US)
- (**) Term: **15 Years**
- (21) Appl. No.: **29/587,917**
- (22) Filed: **Dec. 16, 2016**
- (51) **LOC (11) Cl.** **12-16**
- (52) **U.S. Cl.**
USPC **D12/180**
- (58) **Field of Classification Search**
USPC D12/180
CPC G01P 3/487; G01P 3/488; G01P 1/026;
G01P 3/44; G01P 3/481; G01P 3/00
See application file for complete search history.

(56) **References Cited**

U.S. PATENT DOCUMENTS

- | | | | |
|---------------|---------|------------------|---------------------|
| 3,936,684 A | 2/1976 | Anselmino et al. | |
| 3,939,373 A | 2/1976 | Roberts | |
| 4,001,687 A | 1/1977 | Sorkin et al. | |
| 4,046,181 A | 9/1977 | Barnsdale | |
| RE29,509 E | 1/1978 | Pauwels et al. | |
| 4,628,200 A | 12/1986 | Tinios | |
| 4,700,133 A | 10/1987 | Day | |
| 4,719,419 A | 1/1988 | Dawley | |
| 4,795,278 A | 1/1989 | Hayashi | |
| 4,797,611 A | 1/1989 | Schreiber | |
| 4,940,937 A * | 7/1990 | Hattori | G01P 1/00
29/513 |
| 4,947,116 A | 8/1990 | Welcome et al. | |
| 5,434,504 A | 7/1995 | Hollis et al. | |

- | | | | |
|----------------|---------|---------------------|------------------------|
| 5,850,141 A * | 12/1998 | Adler | G01P 3/443
324/174 |
| D476,931 S | 7/2003 | Fishburn et al. | |
| D476,932 S | 7/2003 | Fishburn et al. | |
| 6,642,709 B2 | 11/2003 | Heimann, Jr. et al. | |
| 6,957,918 B2 * | 10/2005 | Beutler | B60B 35/121
384/448 |
| 7,119,270 B2 * | 10/2006 | Delaporte | G10H 1/32
84/745 |
| 7,692,422 B2 * | 4/2010 | Yamamoto | F16C 33/723
324/174 |
| D651,544 S * | 1/2012 | Song | D12/180 |
| D651,949 S * | 1/2012 | Song | D12/180 |
| D651,950 S * | 1/2012 | Song | D12/180 |
| 8,631,681 B2 * | 1/2014 | Lee | B60G 17/016
73/1.14 |
| D747,672 S * | 1/2016 | Pasfield | D12/180 |

(Continued)

OTHER PUBLICATIONS

Photographs of a tone wheel previously sold by Applicant in 2015; pp. 1-2.
Corresponding U.S. Appl. No. 29/587,919, filed Dec. 16, 2016.

Primary Examiner — Michael A. Pratt
(74) *Attorney, Agent, or Firm* — Pearne & Gordon LLP

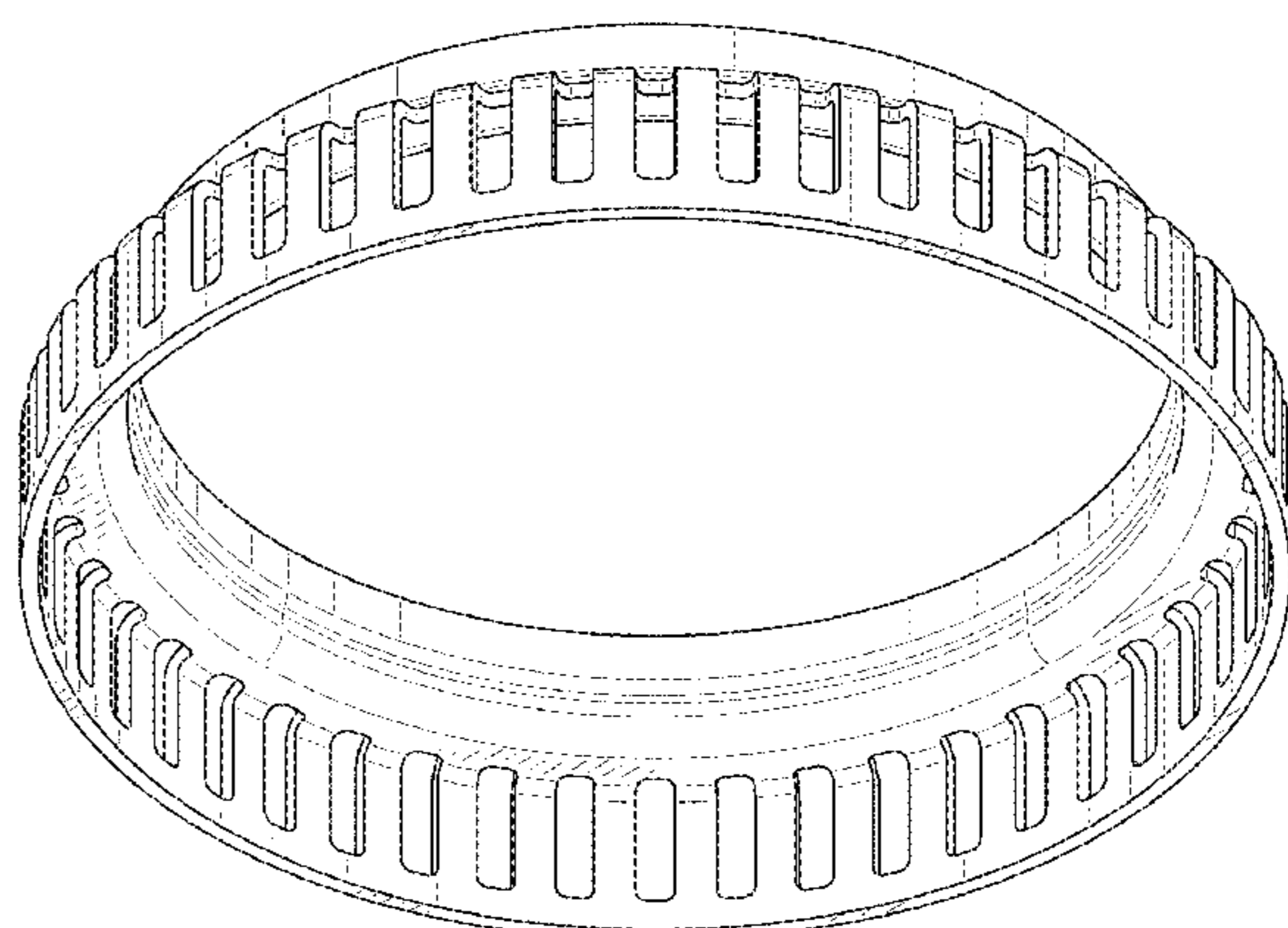
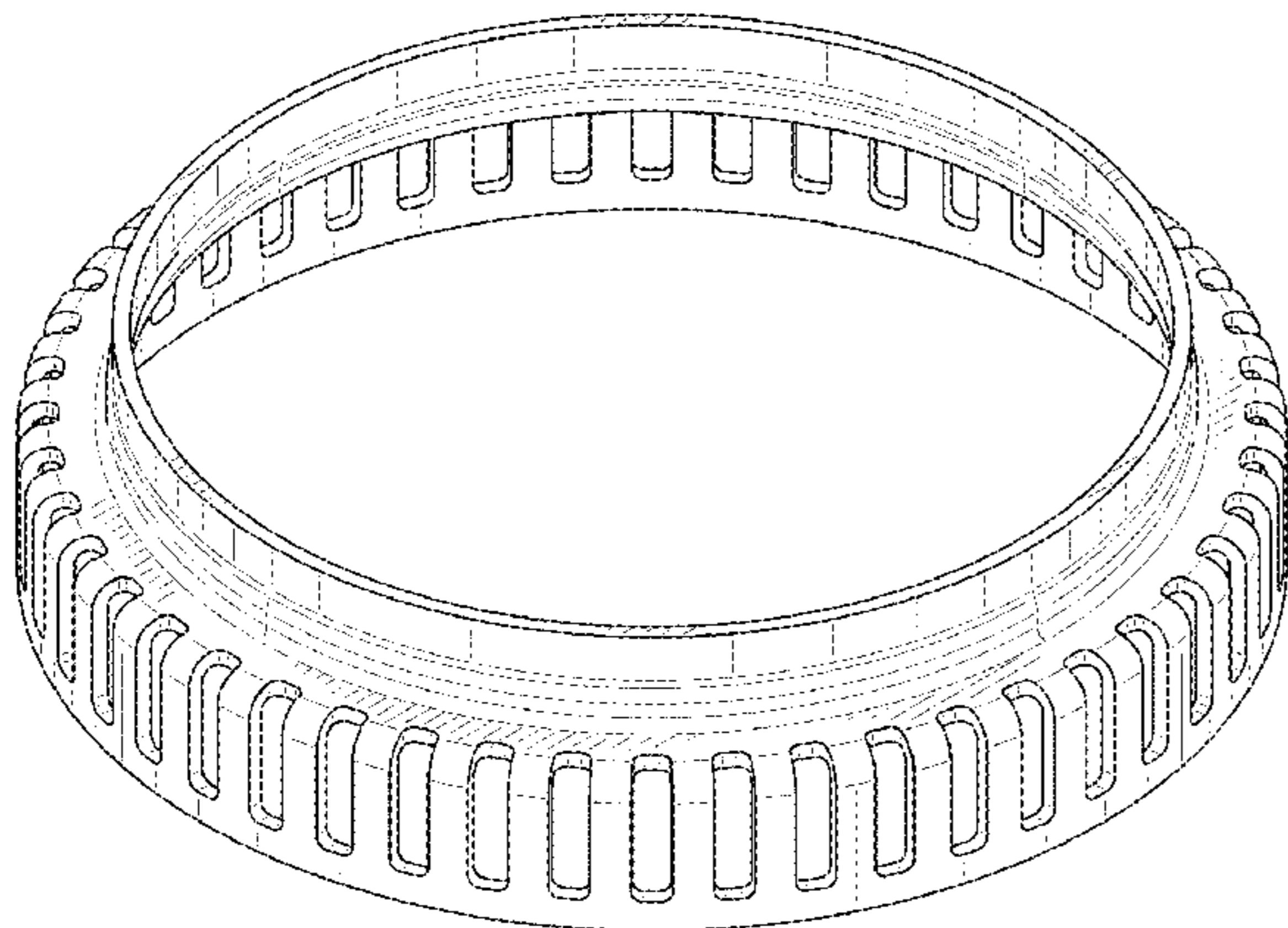
(57) **CLAIM**

The ornamental design for a tone wheel, as shown and described.

DESCRIPTION

FIG. 1 is a front perspective view of my new invention; FIG. 2 is rear perspective view of my new invention; FIG. 3 is a front view thereof; FIG. 4 is a side view thereof, with the illustrated portion of the tone wheel being symmetrical about a central axis; and FIG. 5 is a rear view thereof; and, FIG. 6 side sectional view taken along line 6-6 of FIG. 3.

1 Claim, 4 Drawing Sheets



(56)

References Cited

U.S. PATENT DOCUMENTS

D753,037 S * 4/2016 Pasfield D12/180
D756,277 S * 5/2016 Pasfield D12/180
D757,617 S * 5/2016 Pasfield D12/180

* cited by examiner

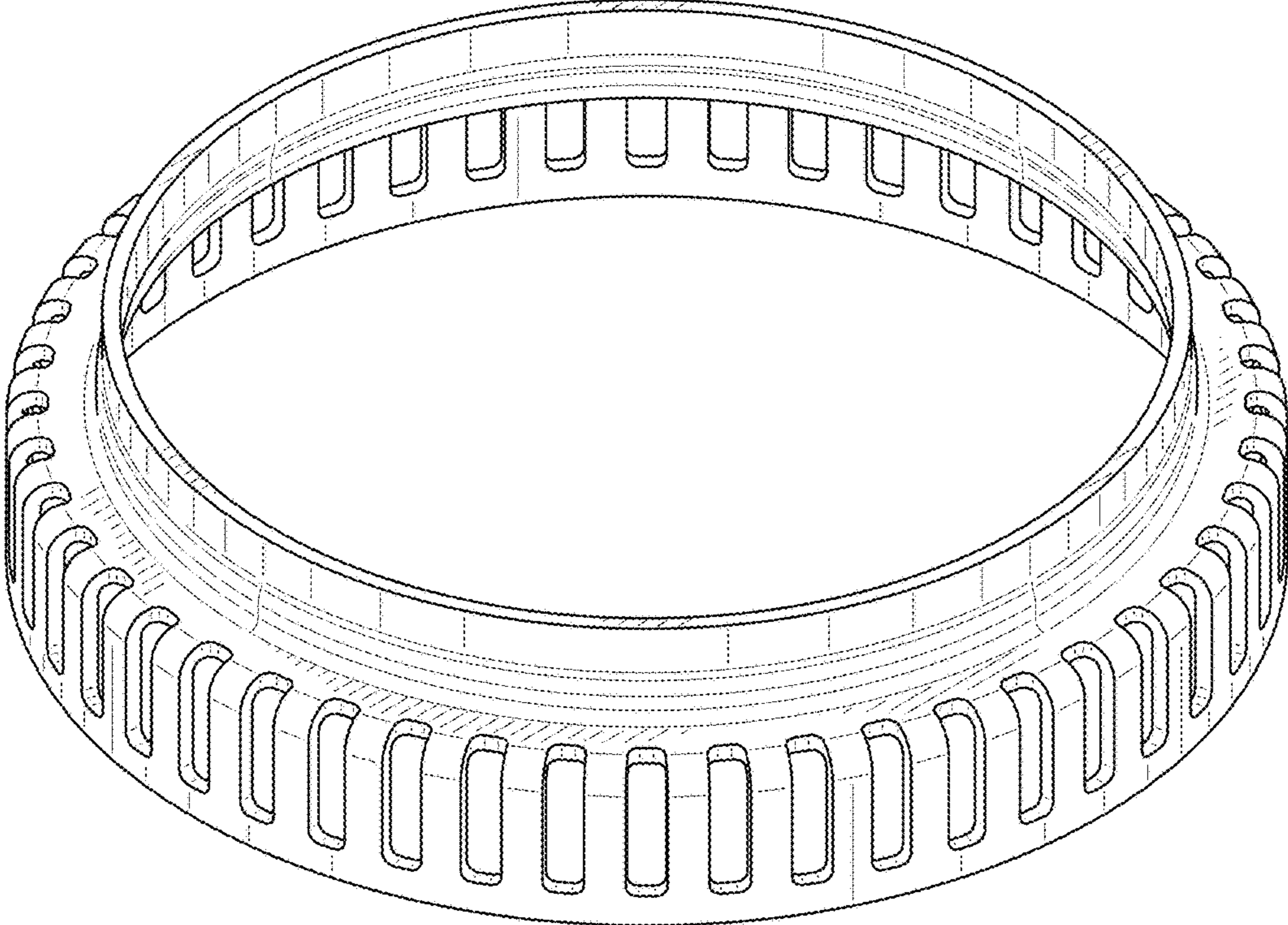


FIG. 1

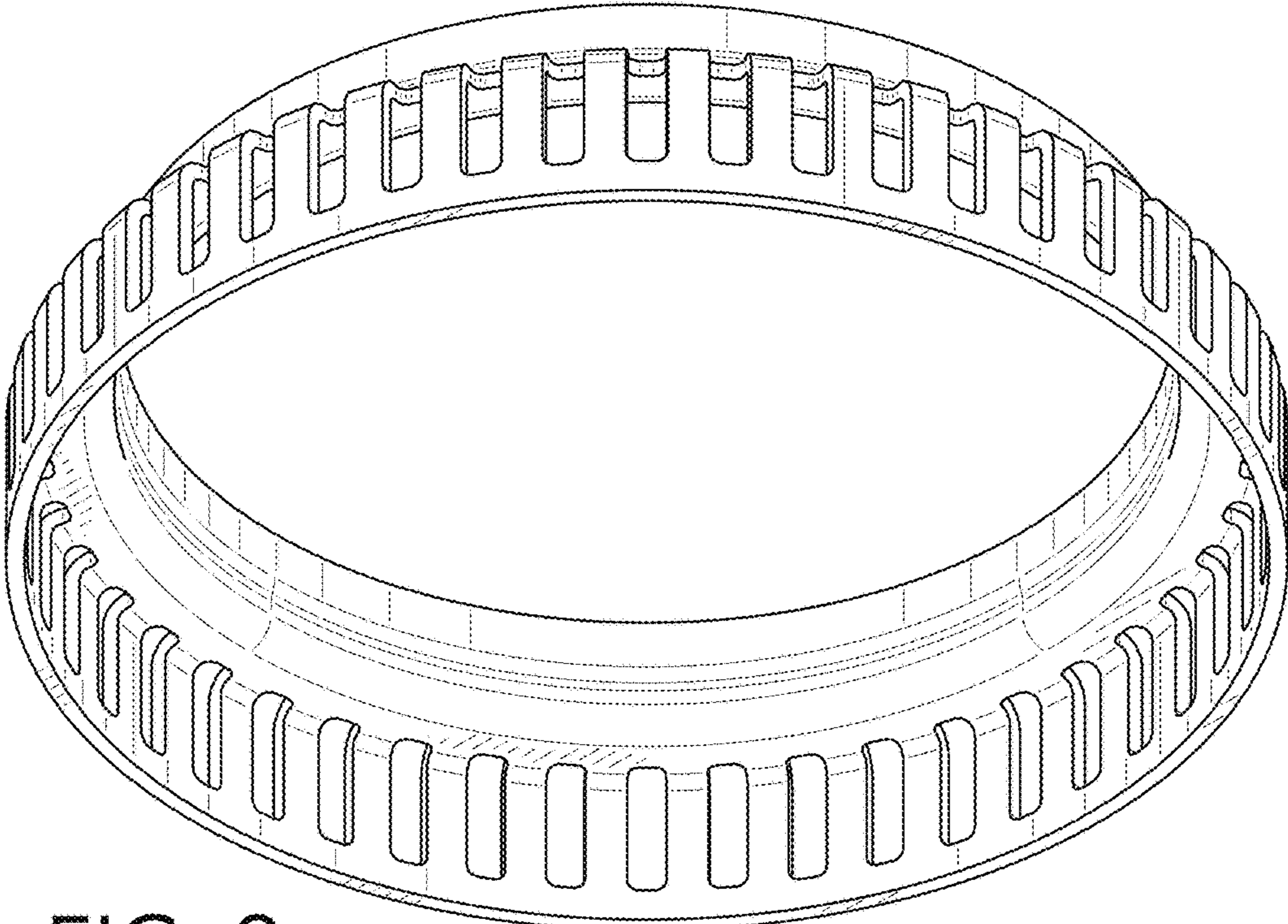


FIG. 2

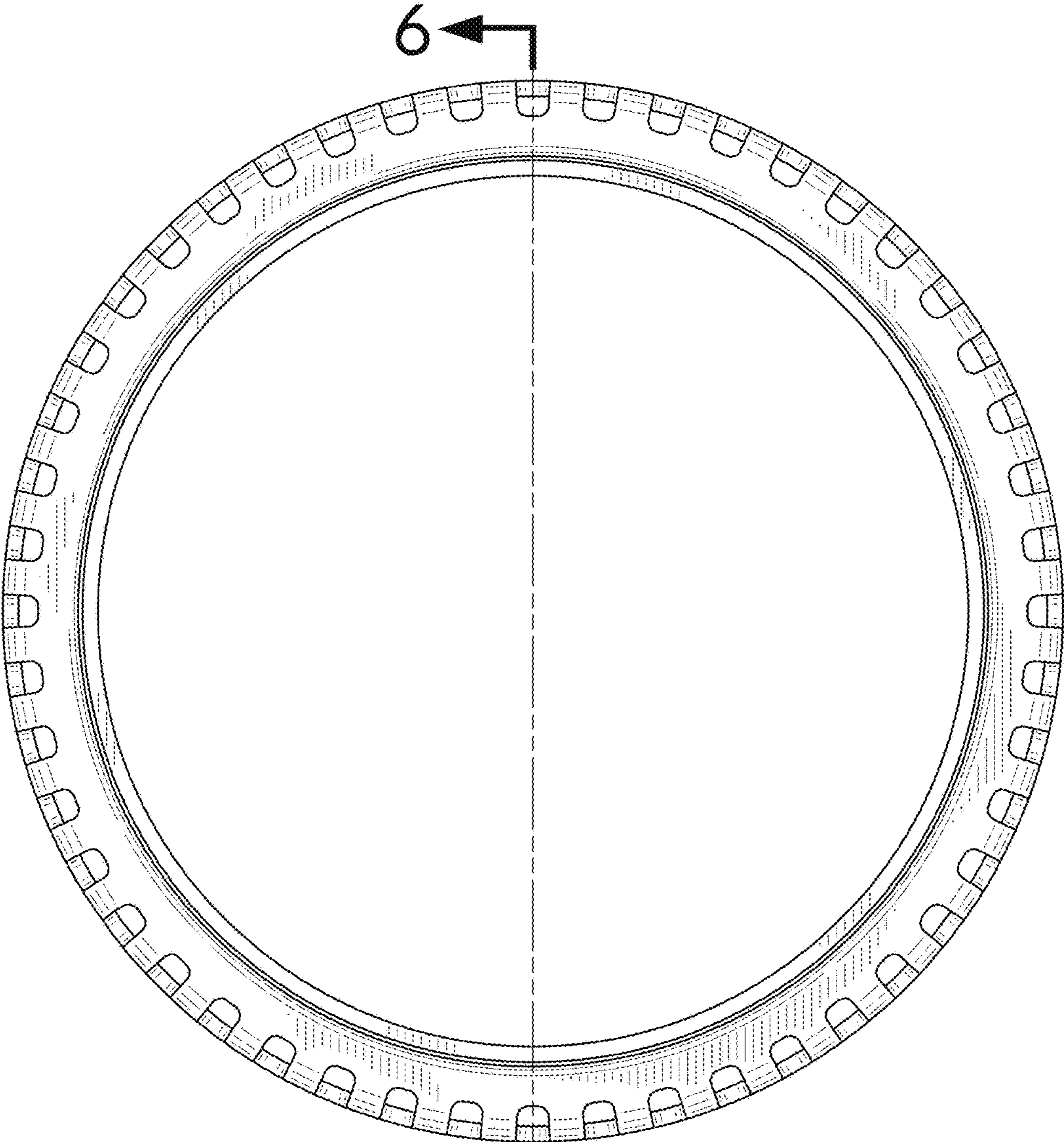


FIG. 3

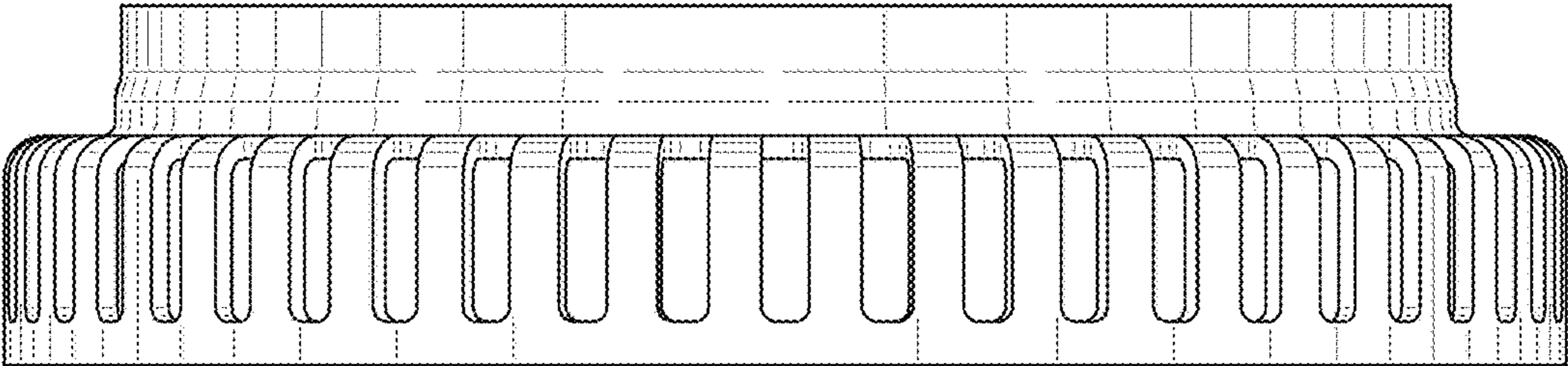


FIG. 4

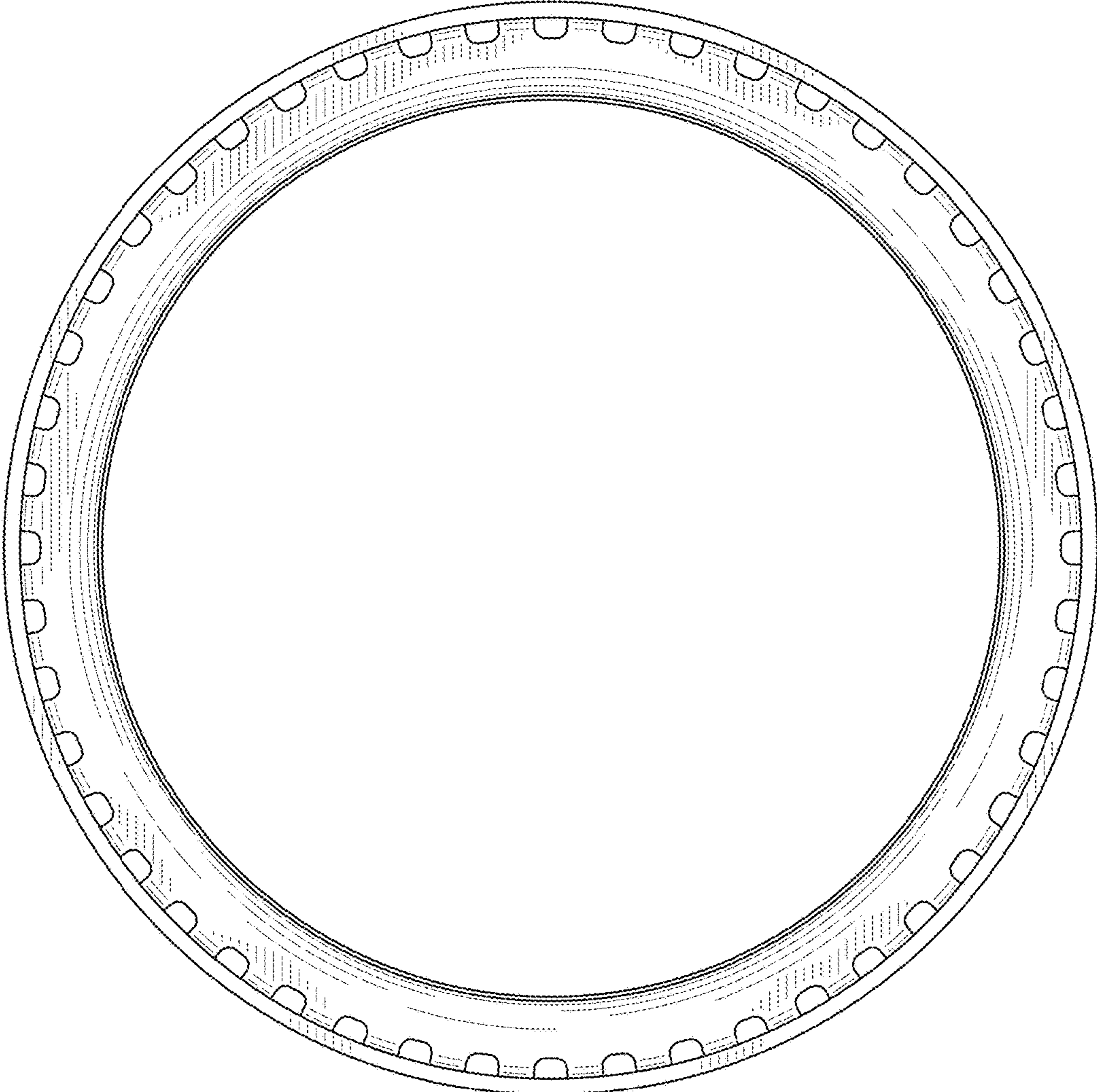


FIG. 5

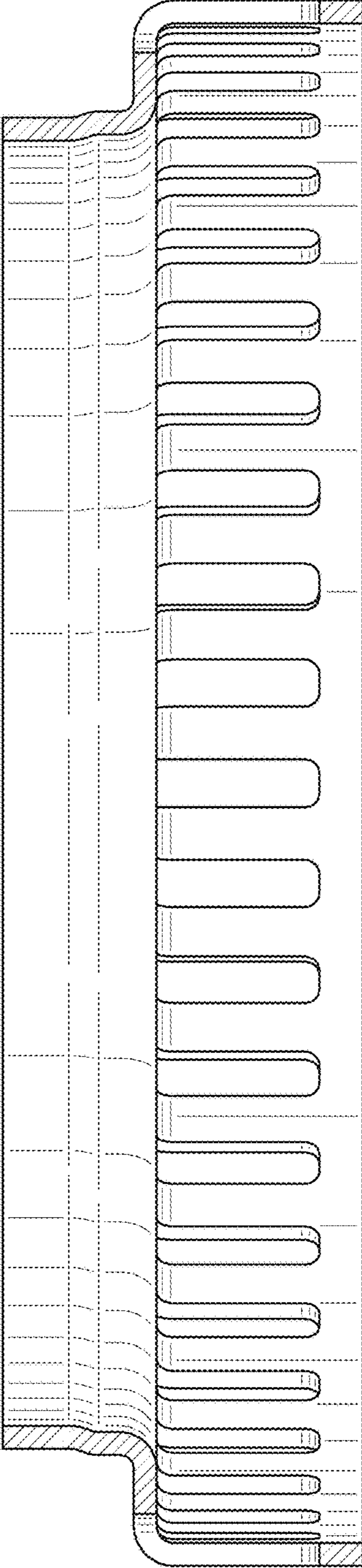


FIG. 6