



US00D819523S

(12) **United States Design Patent** (10) **Patent No.:** **US D819,523 S**  
**Yamamoto et al.** (45) **Date of Patent:** **\*\* Jun. 5, 2018**

- (54) **REAR BUMPER FOR AN AUTOMOBILE**
- (71) Applicant: **Nissan Motor Co., Ltd.**, Yokohama, Kanagawa (JP)
- (72) Inventors: **Kenji Yamamoto**, Guangdon (CN); **Takeo Horie**, Kanagawa (JP)
- (73) Assignee: **Nissan Motor Co., Ltd.**, Yokohama (JP)
- (\*\*) Term: **15 Years**
- (21) Appl. No.: **29/590,509**
- (22) Filed: **Jan. 11, 2017**
- (30) **Foreign Application Priority Data**
- Jul. 12, 2016 (JP) ..... 2016-014805
- (51) **LOC (11) Cl.** ..... **12-16**
- (52) **U.S. Cl.**
- USPC ..... **D12/169**
- (58) **Field of Classification Search**
- USPC .... D12/169, 216, 90-92, 86, 171, 196, 163; 293/102, 113, 115, 117, 120; 296/180.1, 296/180.2
- CPC ..... B60R 19/02; B60R 19/04; B62D 25/08
- See application file for complete search history.

- D721,993 S \* 2/2015 Nordmann ..... D12/169
- D736,125 S \* 8/2015 Kamiura ..... D12/169
- D738,271 S \* 9/2015 Glover ..... D12/169
- D738,272 S \* 9/2015 Kamiura ..... D12/169
- D745,838 S \* 12/2015 Yamamoto ..... D12/169
- D779,395 S \* 2/2017 Horie ..... D12/169

**OTHER PUBLICATIONS**

Related photos published on Jan. 13, 2014 at <http://nissannews.com/en-US/nissan/usa/releases/nissan-sentra-nismo-concept-teases-further-expansion-of-performance-line-2/photos/nissan-sentra-nismo-concept-11>.

\* cited by examiner

*Primary Examiner* — Melody N Brown

(57) **CLAIM**

The ornamental design for a rear bumper for an automobile, as shown and described.

**DESCRIPTION**

FIG. 1 is a front elevational view of a rear bumper for an automobile in accordance with our new design;

FIG. 2 is a top plan view thereof;

FIG. 3 is a bottom plan view thereof;

FIG. 4 is a right side elevational view thereof;

FIG. 5 is a left side elevational view thereof;

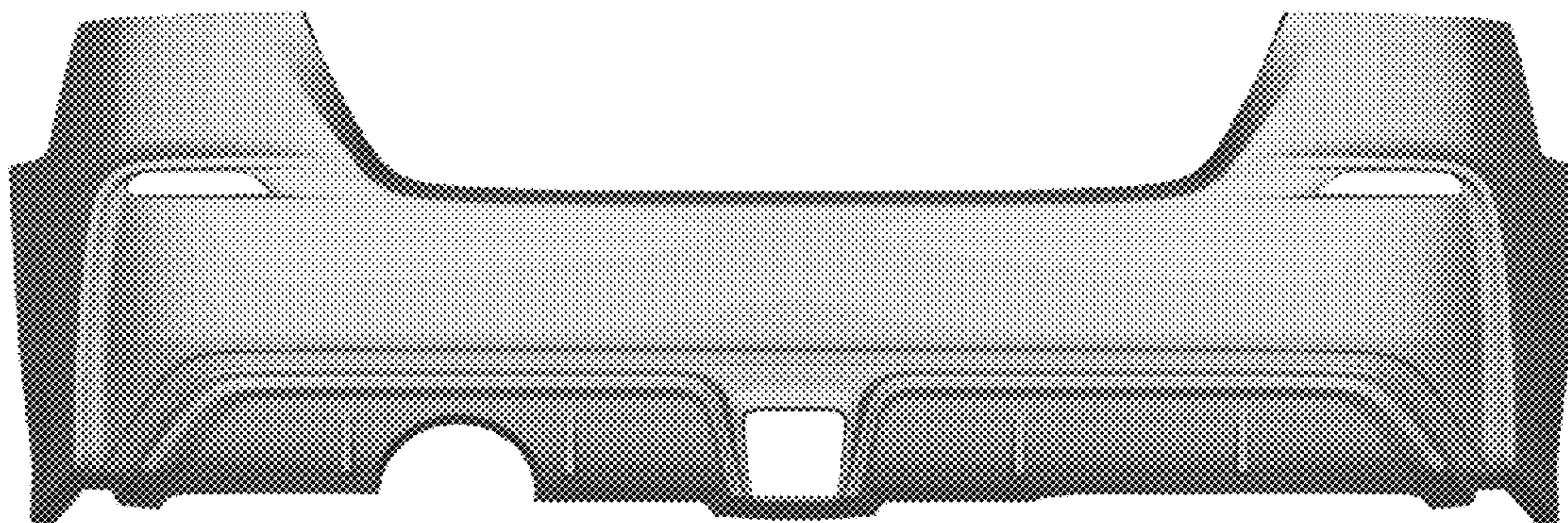
FIG. 6 is a top, front and right side perspective view thereof; and,

FIG. 7 is a bottom, front and left side perspective view thereof.

The rear view of the rear bumper forms no part of the claimed design. In addition, the rear bumper is configured to be mounted to an automobile. The inside surfaces of the rear bumper, shown in broken lines in FIGS. 2, 3, 6 and 7, form no part of the claimed design since the inside surfaces are hidden when the rear bumper is mounted to the automobile.

**1 Claim, 7 Drawing Sheets**

- (56) **References Cited**
- U.S. PATENT DOCUMENTS
- D614,545 S \* 4/2010 Ono ..... D12/169
- D692,808 S \* 11/2013 Morioka ..... D12/169
- D698,712 S \* 2/2014 Sato ..... D12/169
- D699,167 S \* 2/2014 Sato ..... D12/169
- D705,140 S \* 5/2014 Kawasaki ..... D12/169
- D711,795 S \* 8/2014 Kim ..... D12/169
- D713,304 S \* 9/2014 Tsuchida ..... D12/169





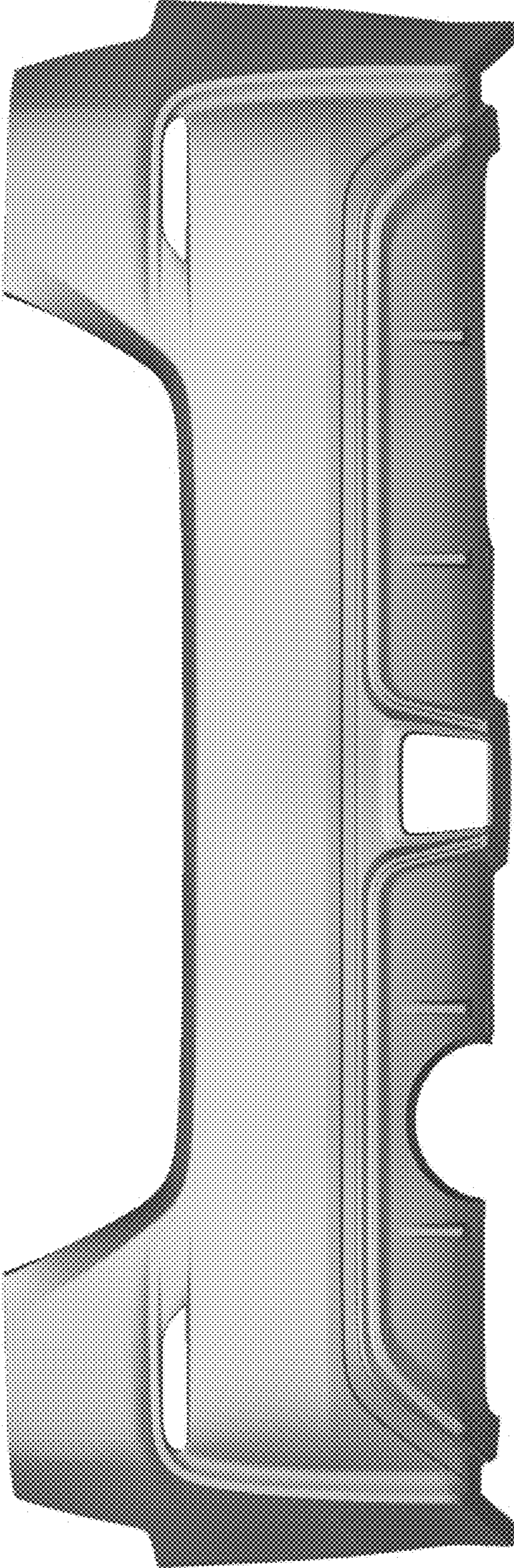


FIG. 1



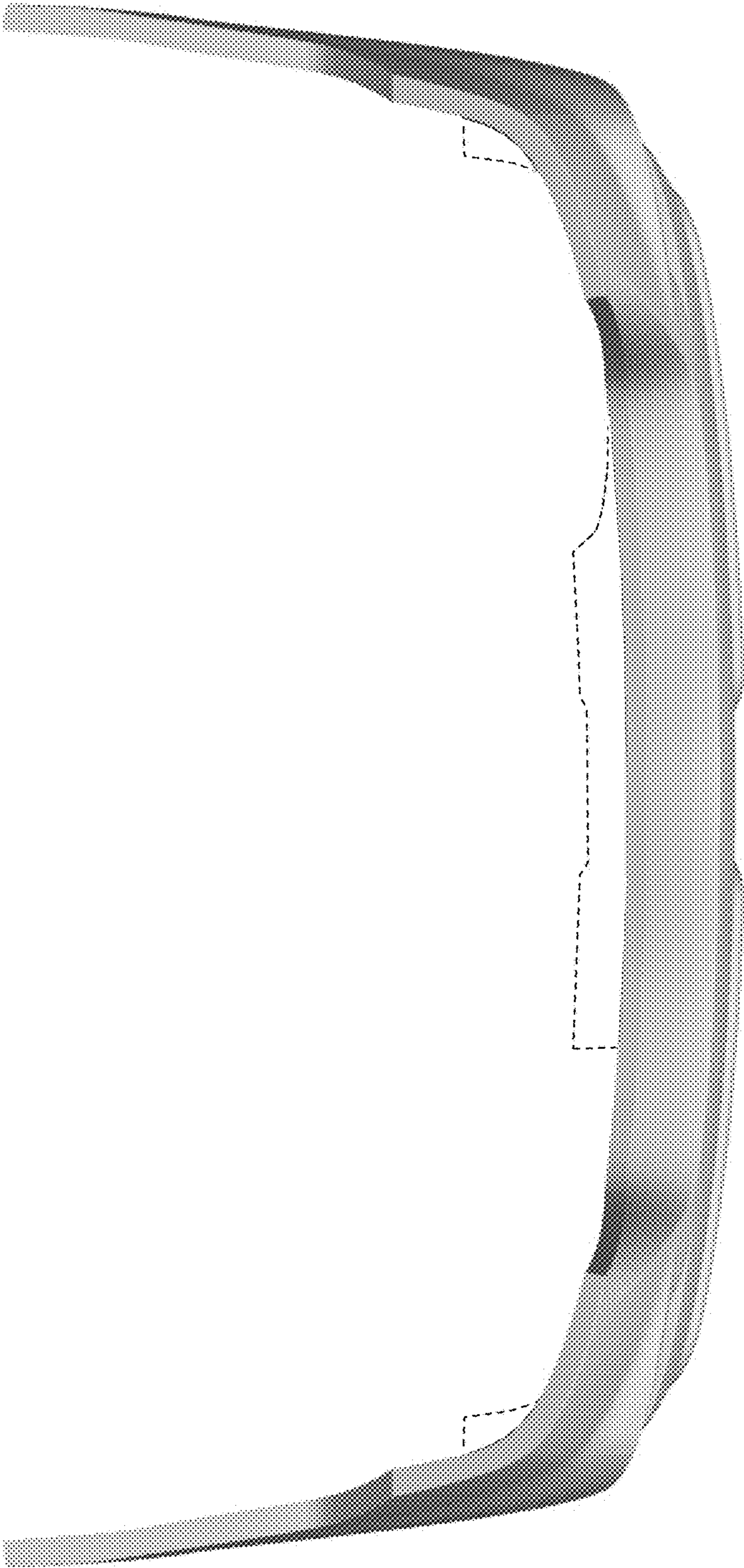


FIG. 2

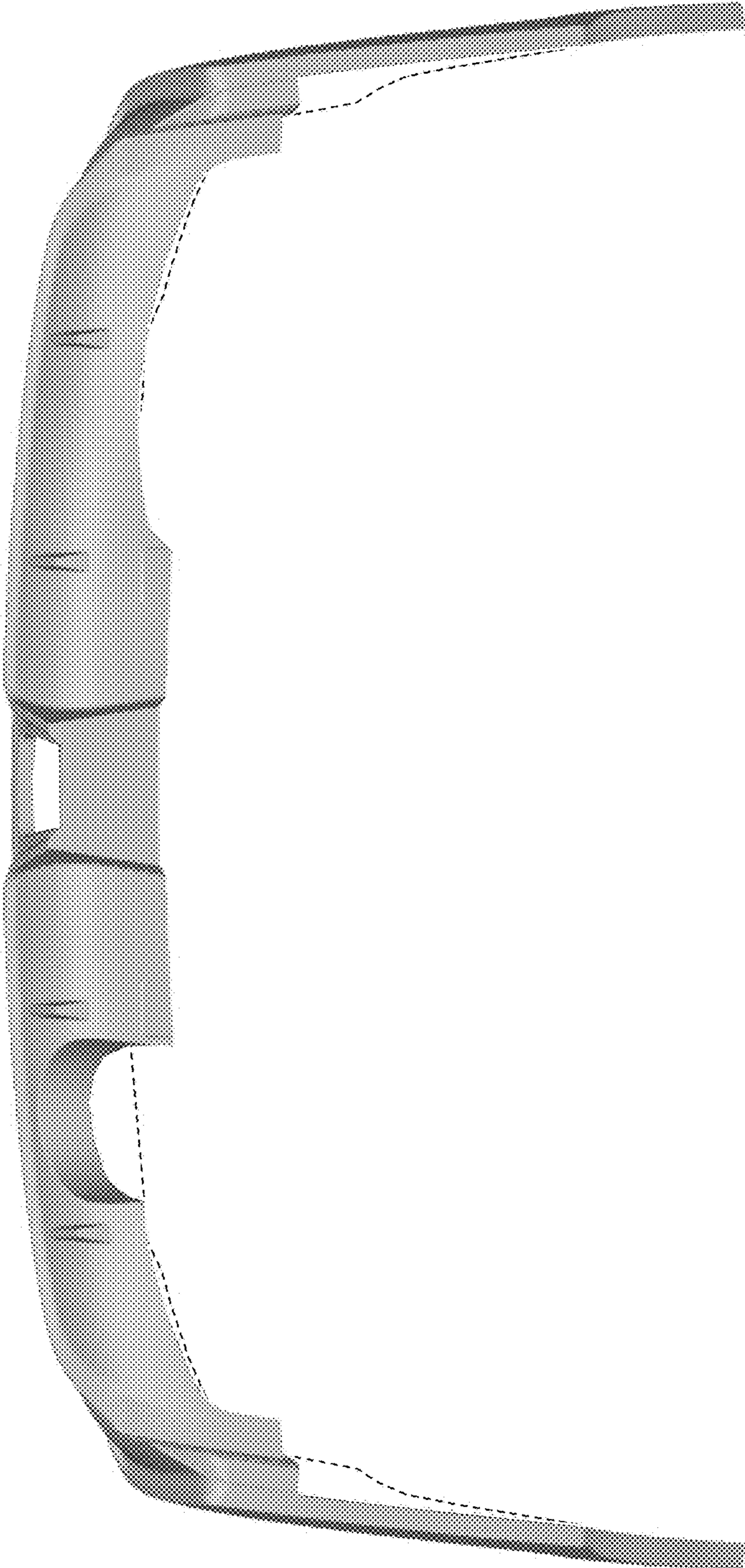


FIG. 3

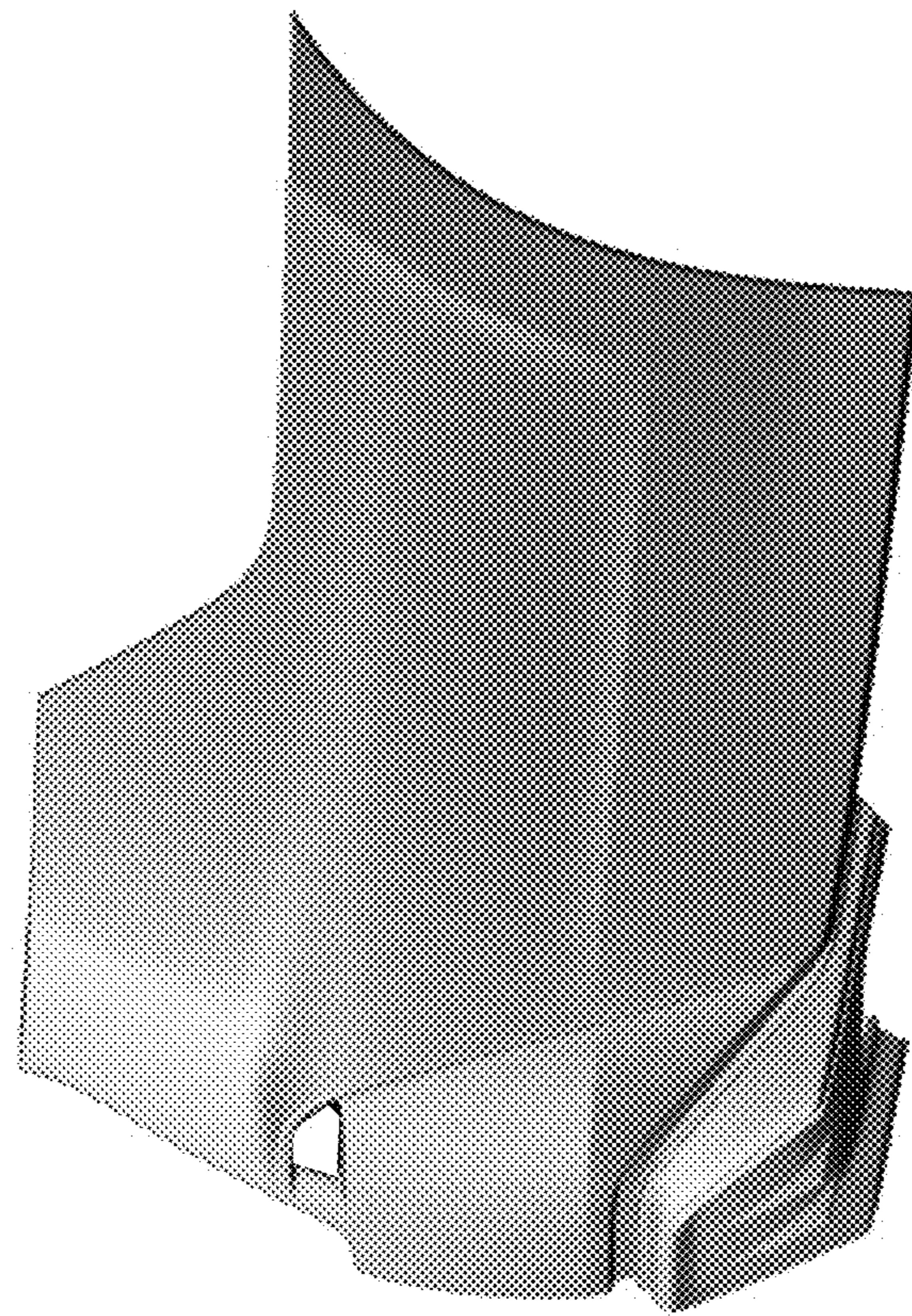


FIG. 4



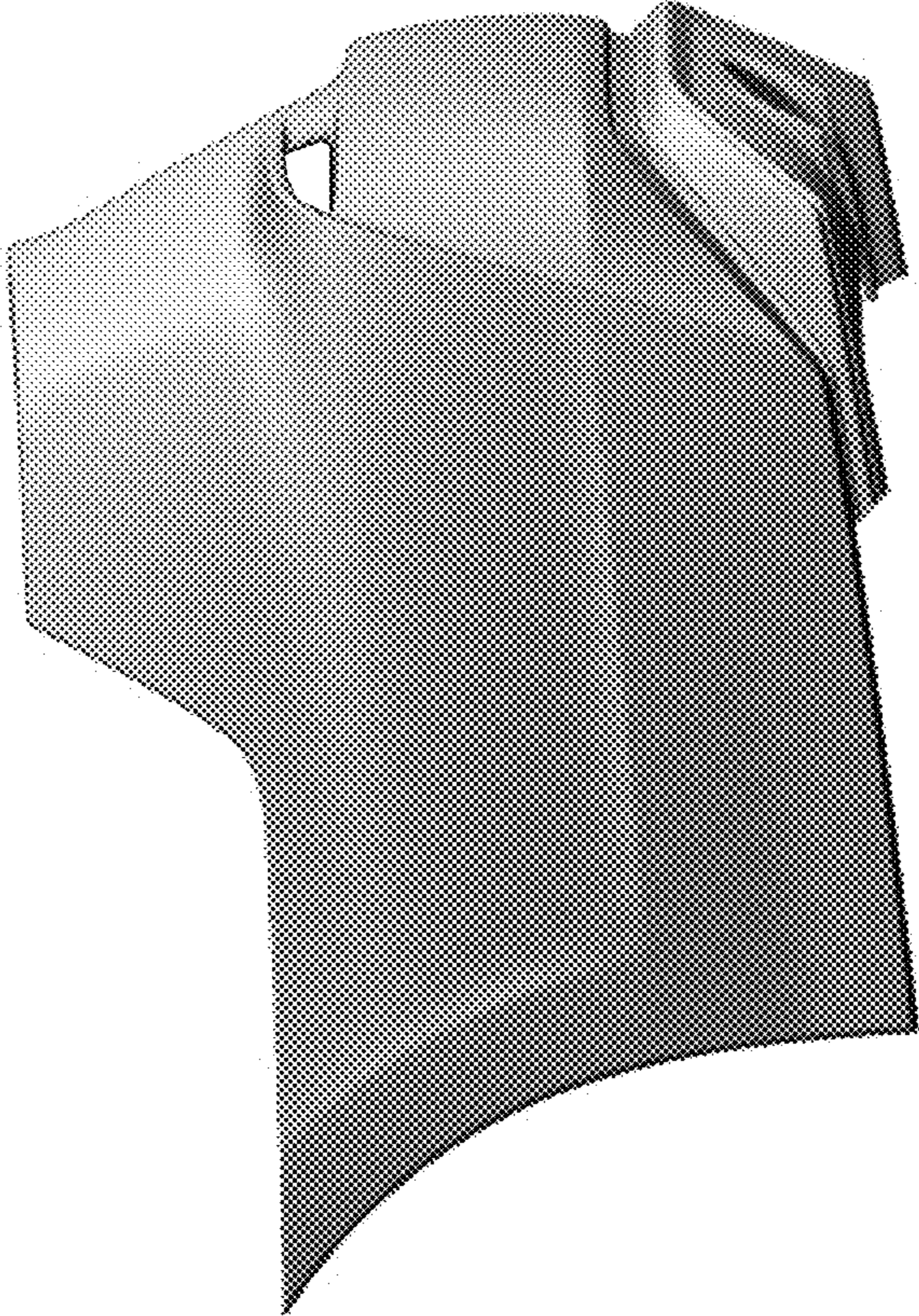


FIG. 5

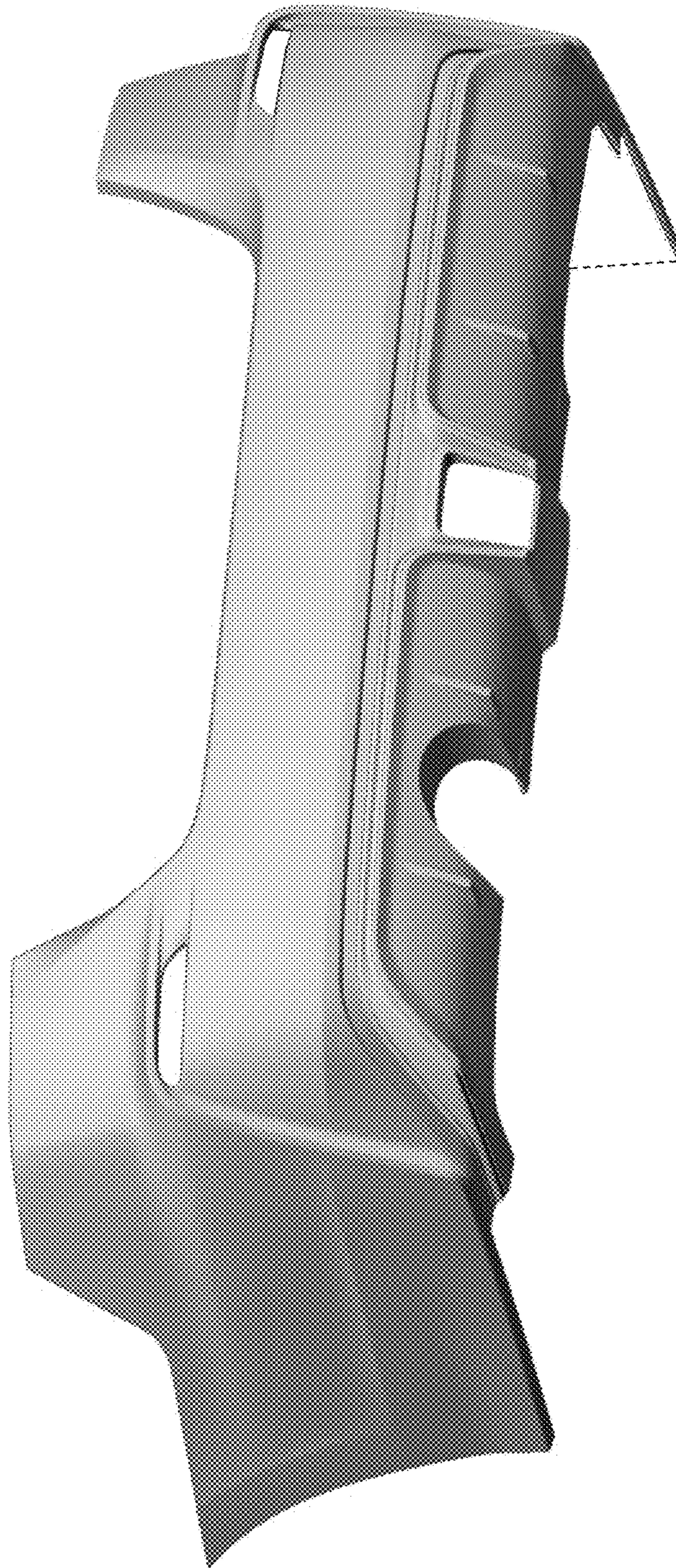


FIG. 6



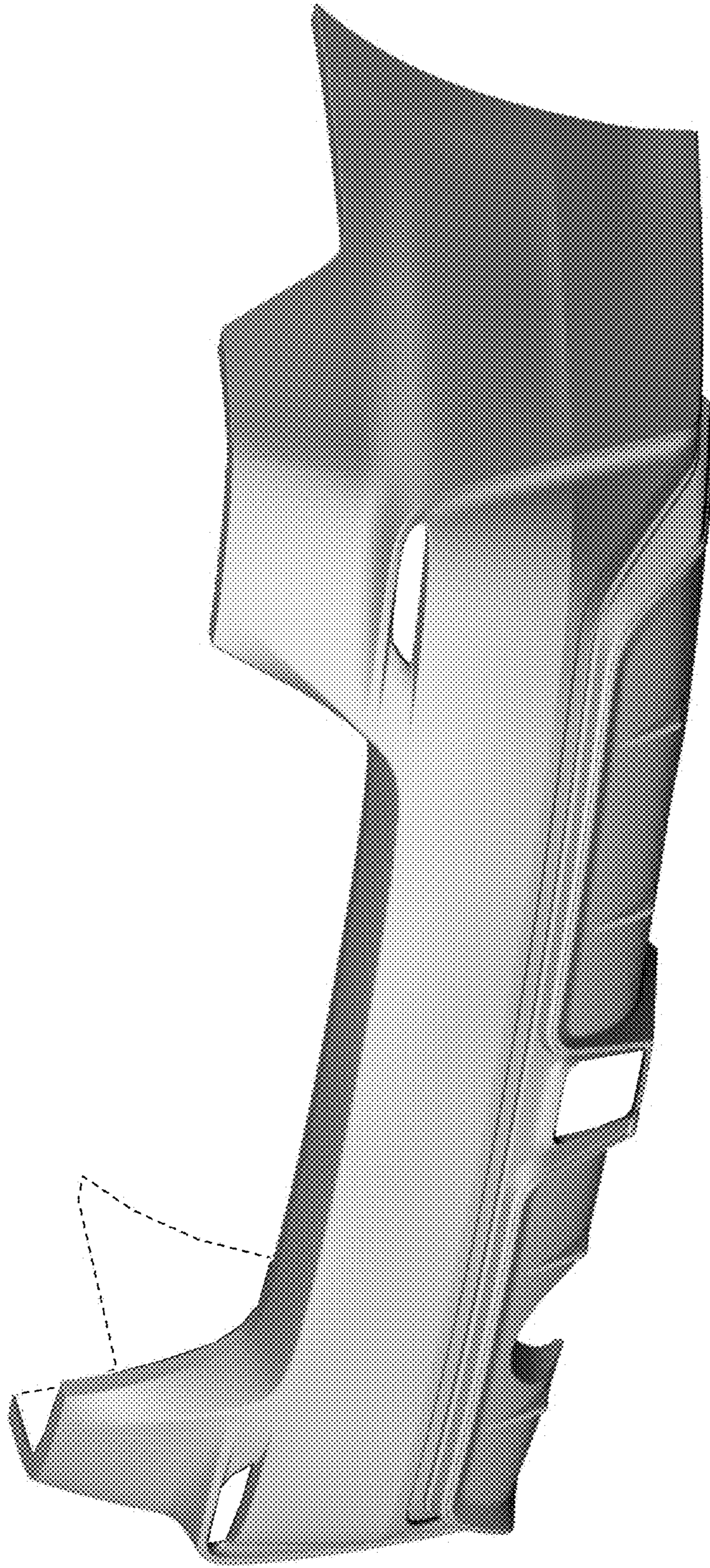


FIG. 7