



US00D819514S

(12) **United States Design Patent**
Woodhouse et al.

(10) **Patent No.:** **US D819,514 S**
(45) **Date of Patent:** **** Jun. 5, 2018**

(54) **VEHICLE FRONT UPPER GRILLE**
(71) Applicant: **Ford Global Technologies, LLC**,
Dearborn, MI (US)
(72) Inventors: **David Woodhouse**, Troy, MI (US);
Earl Lucas, Southfield, MI (US);
Jaewoo Chang, Novi, MI (US);
Nonthawat Kongsari, Melbourne (AU)
(73) Assignee: **Ford Global Technologies, LLC**,
Dearborn, MI (US)

D756,854 S * 5/2016 Horiuchi D12/163
D758,928 S * 6/2016 Messale D12/163
D766,782 S * 9/2016 Arroba D12/163
D769,779 S * 10/2016 Woodhouse D12/163
D770,942 S * 11/2016 Woodhouse D12/92
D781,188 S * 3/2017 Wolff D12/163
D788,654 S * 6/2017 Curic D12/163
D793,283 S * 8/2017 Woodhouse D12/91

* cited by examiner

Primary Examiner — Melody N Brown
(74) *Attorney, Agent, or Firm* — James Dottavio

(**) Term: **15 Years**

(21) Appl. No.: **29/597,058**

(22) Filed: **Mar. 14, 2017**

(51) **LOC (11) Cl.** **12-16**

(52) **U.S. Cl.**
USPC **D12/163**

(58) **Field of Classification Search**
USPC D12/163, 216, 90-92, 86, 171, 196, 169;
293/193.11; 180/68.1, 68.6
CPC B60R 19/52; B60K 11/08; B62D 25/08;
B62B 9/16
See application file for complete search history.

(56) **References Cited**

U.S. PATENT DOCUMENTS

D533,119 S 12/2006 Schiavone et al.
D725,555 S 3/2015 Wolff et al.

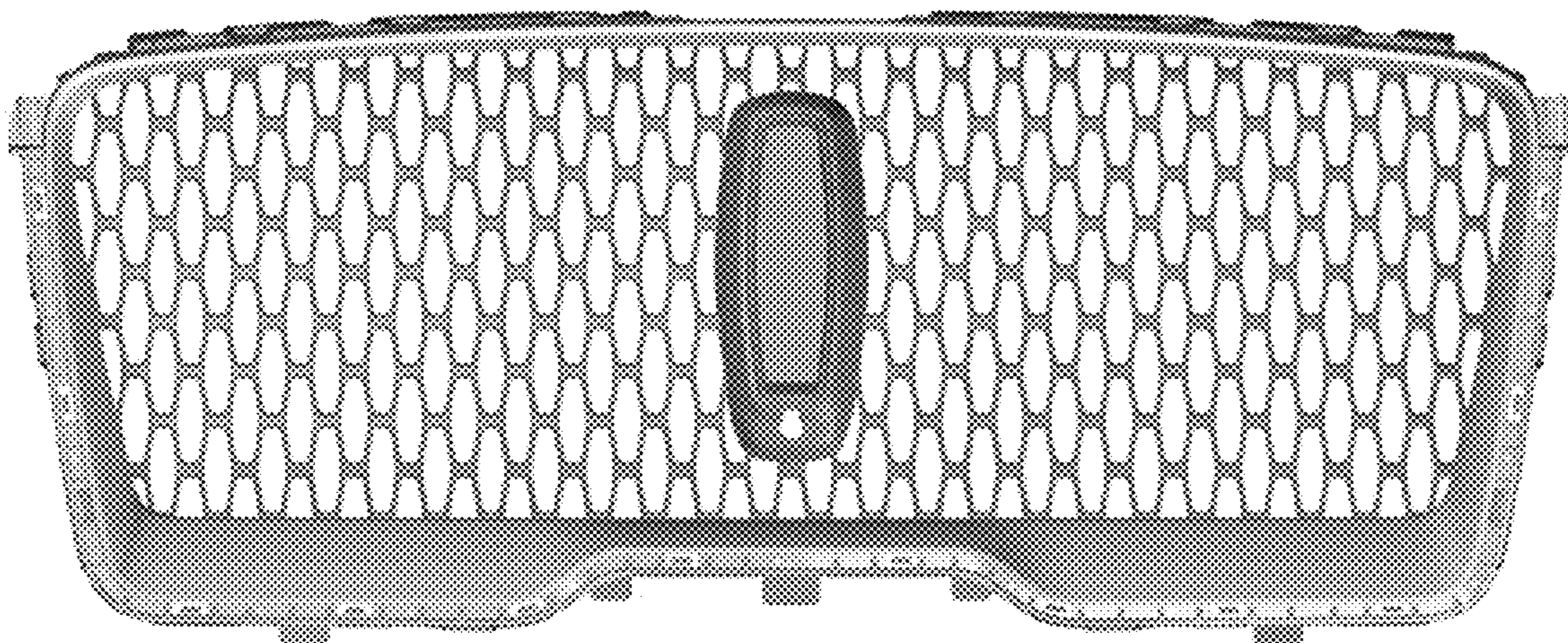
(57) **CLAIM**

The ornamental design for a vehicle front upper grille, as shown and described.

DESCRIPTION

FIG. 1 is a top, front and left side perspective view of a vehicle front upper grille, showing our new design; FIG. 2 is a bottom, front and left perspective view thereof; FIG. 3 is a top and rear side perspective view thereof; FIG. 4 is a front elevational view thereof; FIG. 5 is a rear elevational view thereof; FIG. 6 is a left side elevational view thereof; FIG. 7 is a right side elevational view thereof; FIG. 8 is a top plan view thereof; and, FIG. 9 is a bottom plan view thereof.

1 Claim, 9 Drawing Sheets



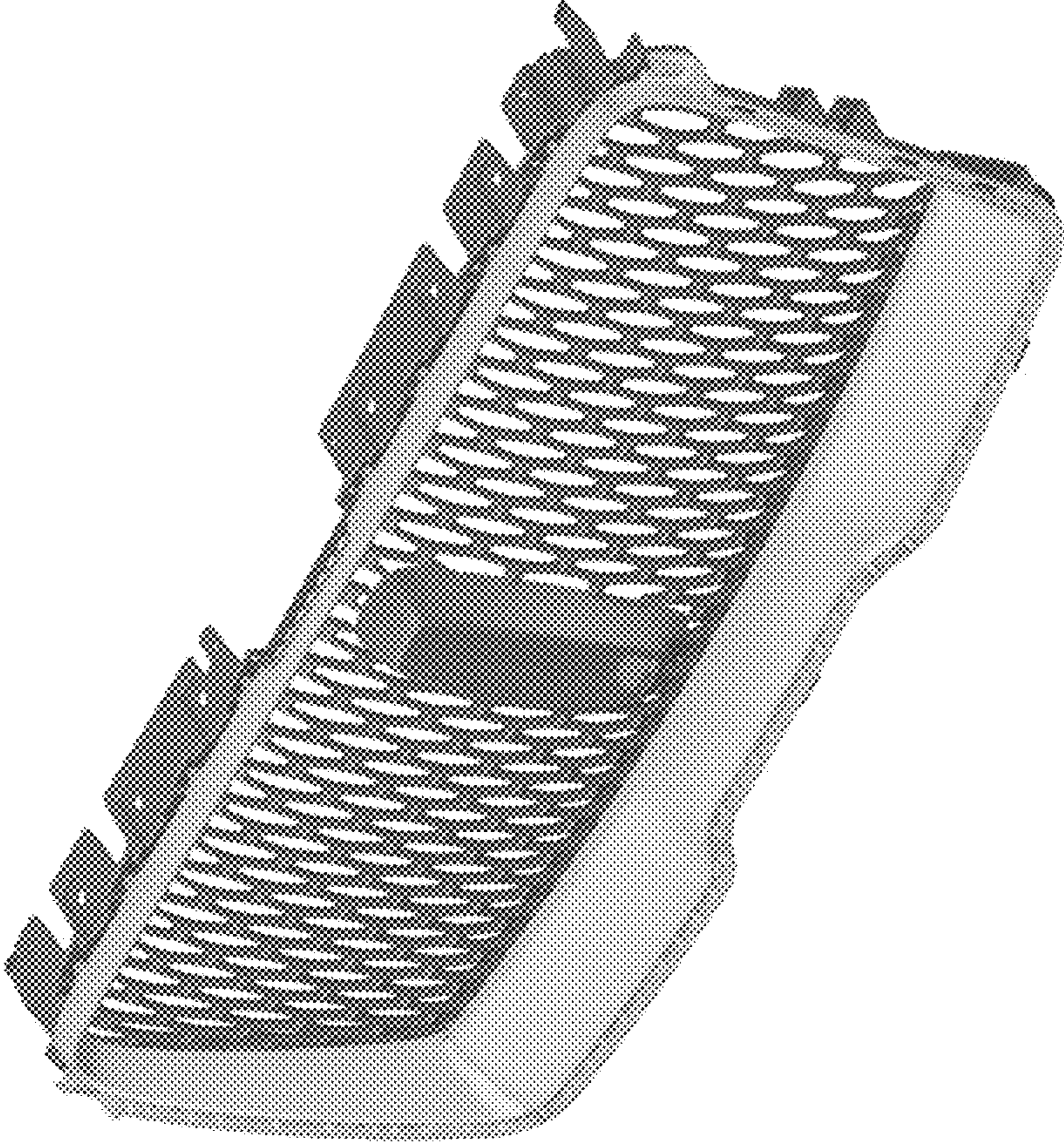


Figure 1

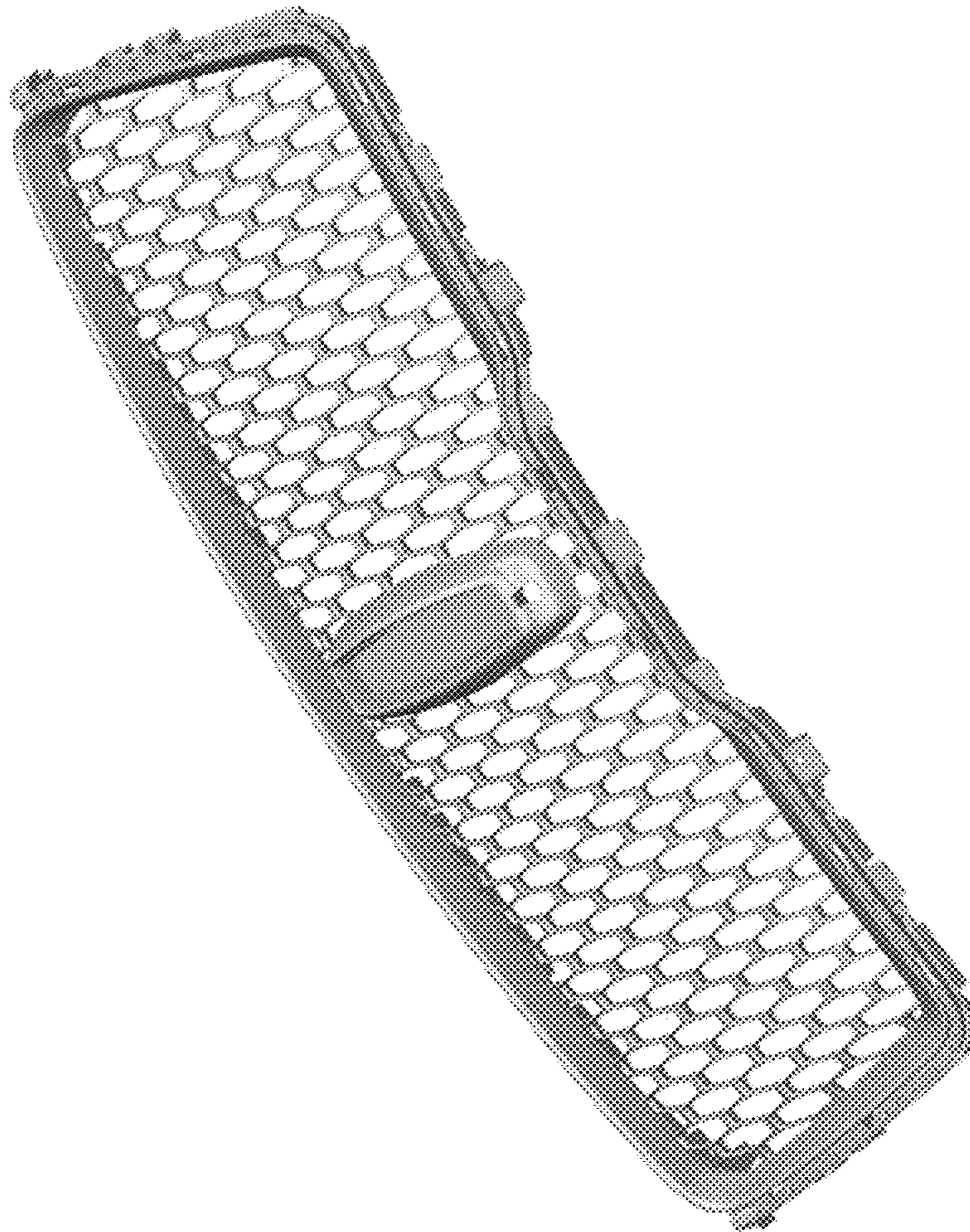


Figure 2

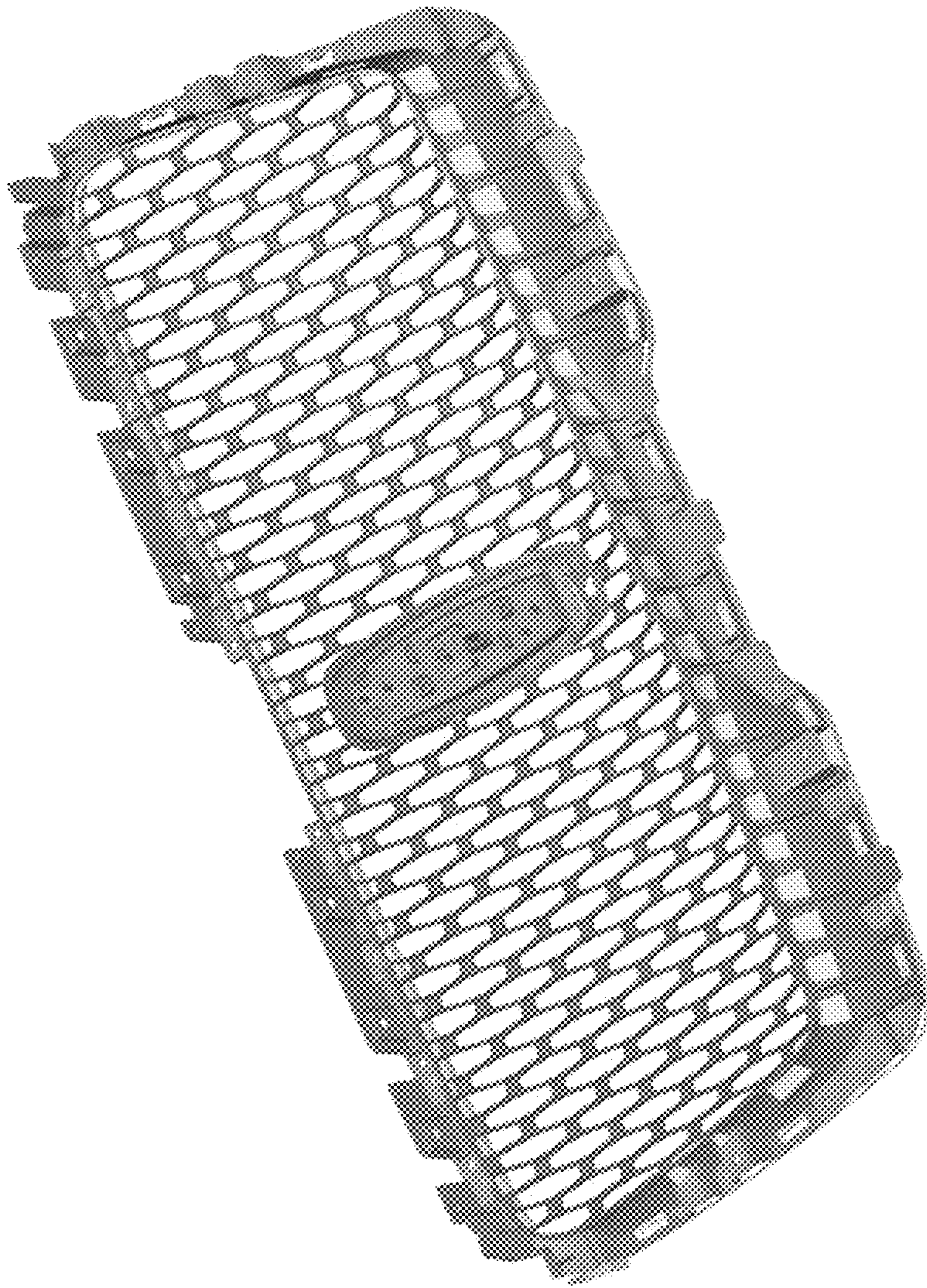


Figure 3

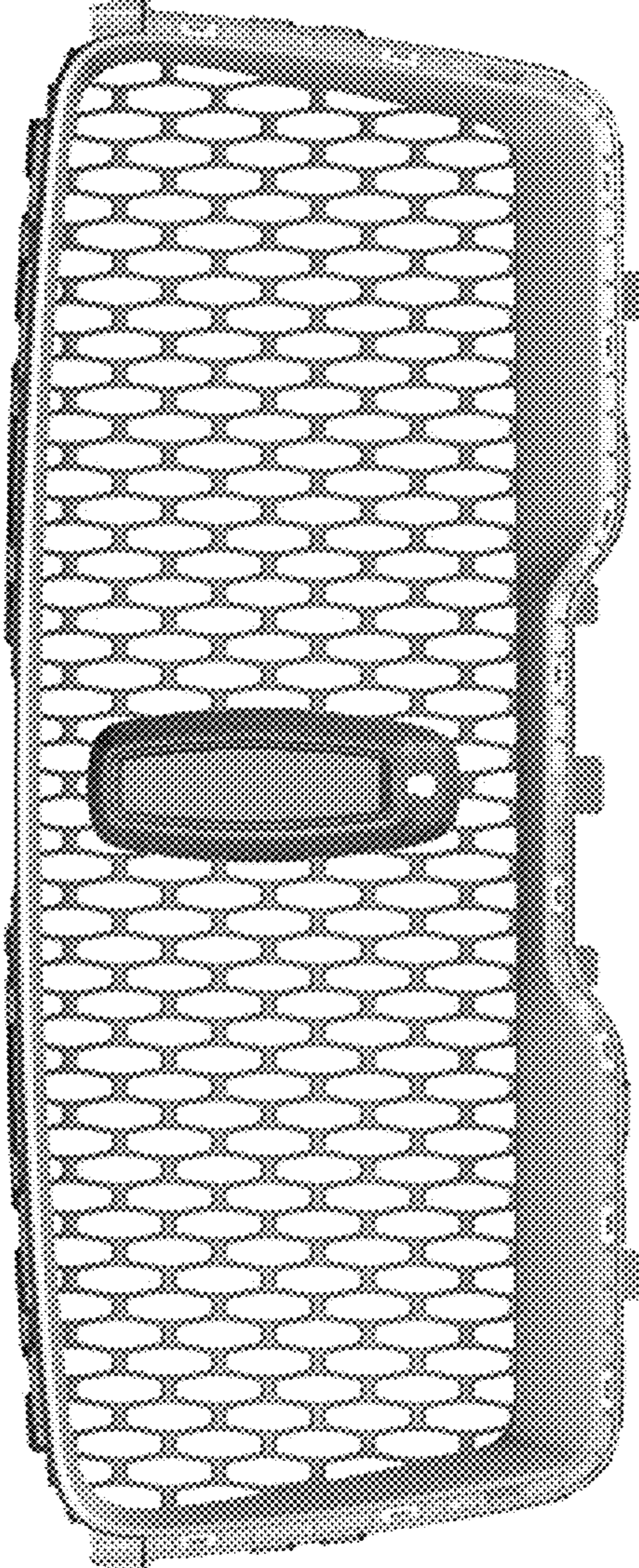


Figure 4

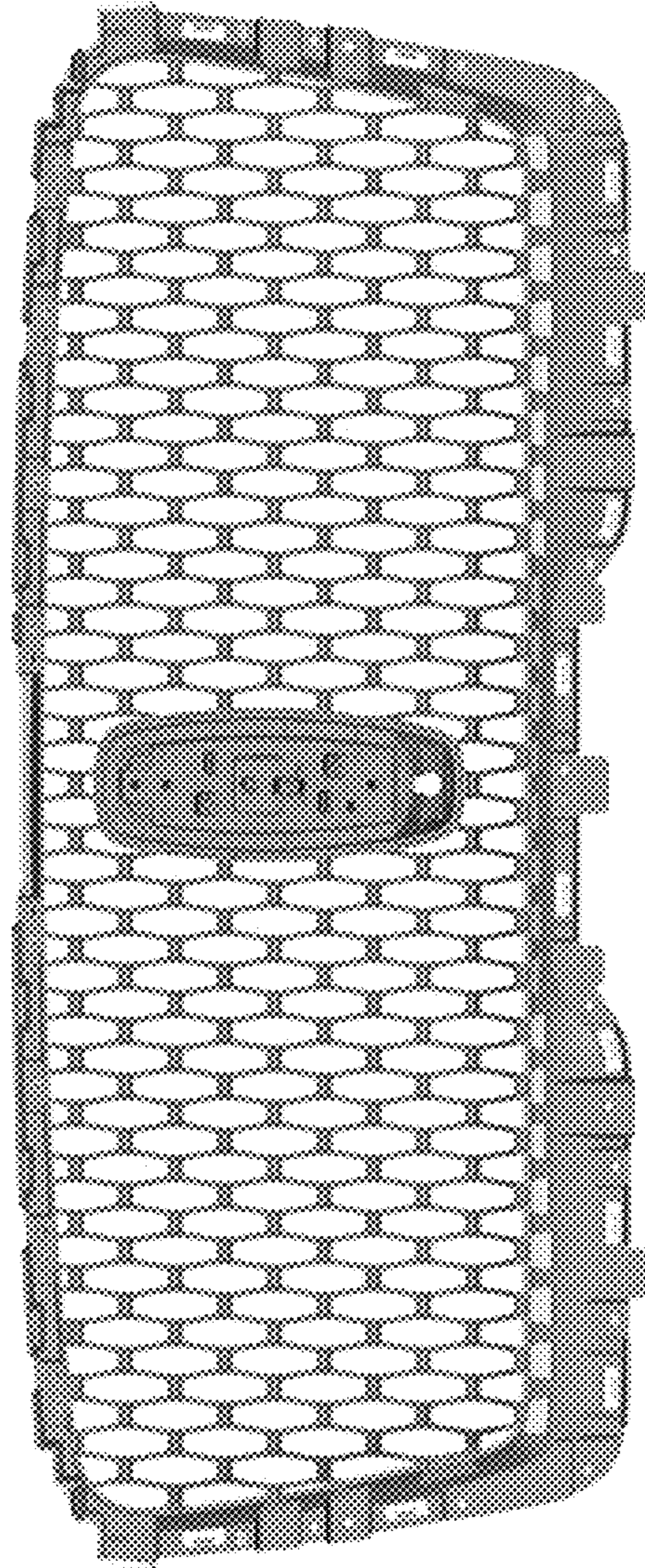


Figure 5

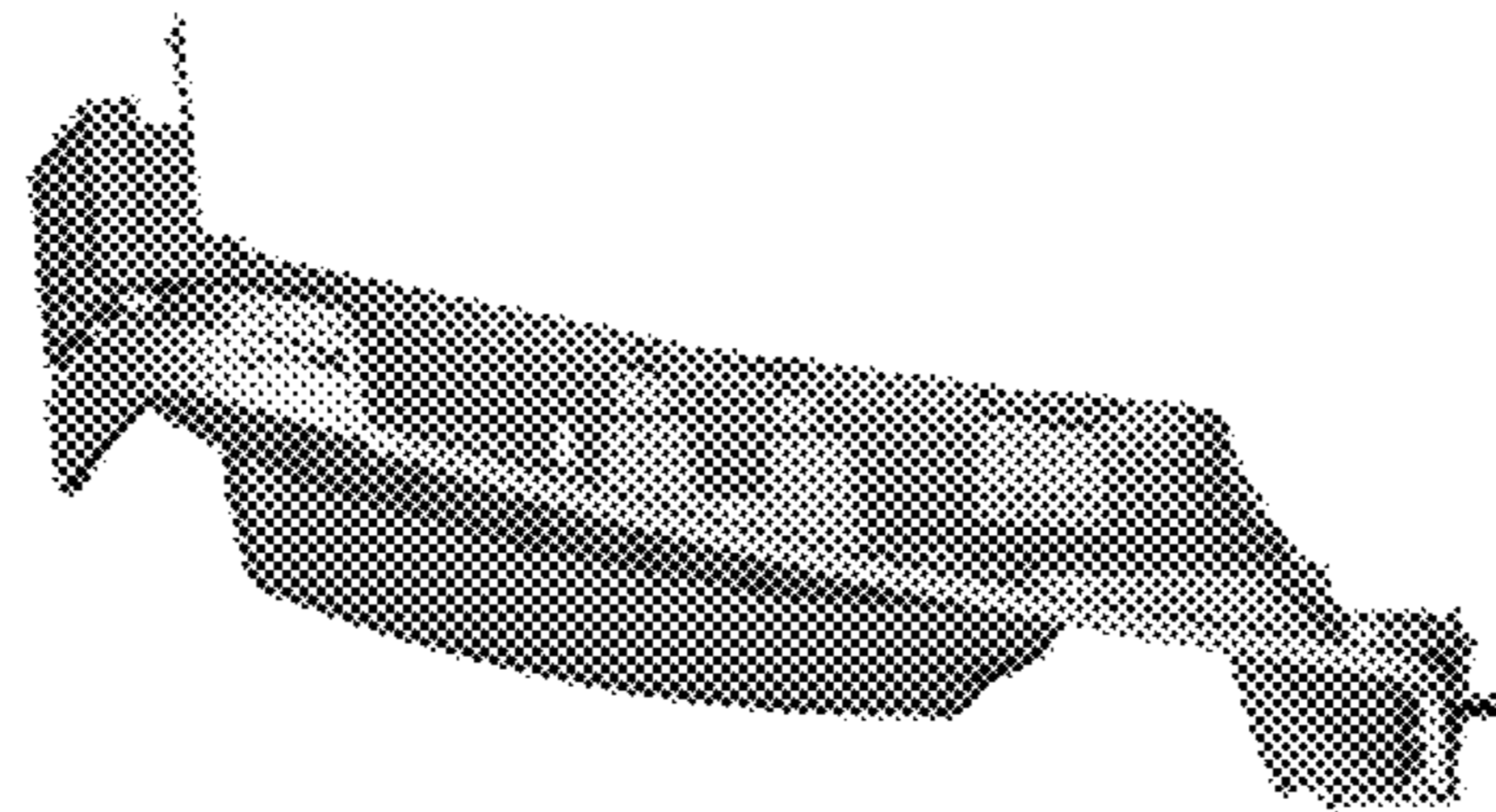


Figure 6

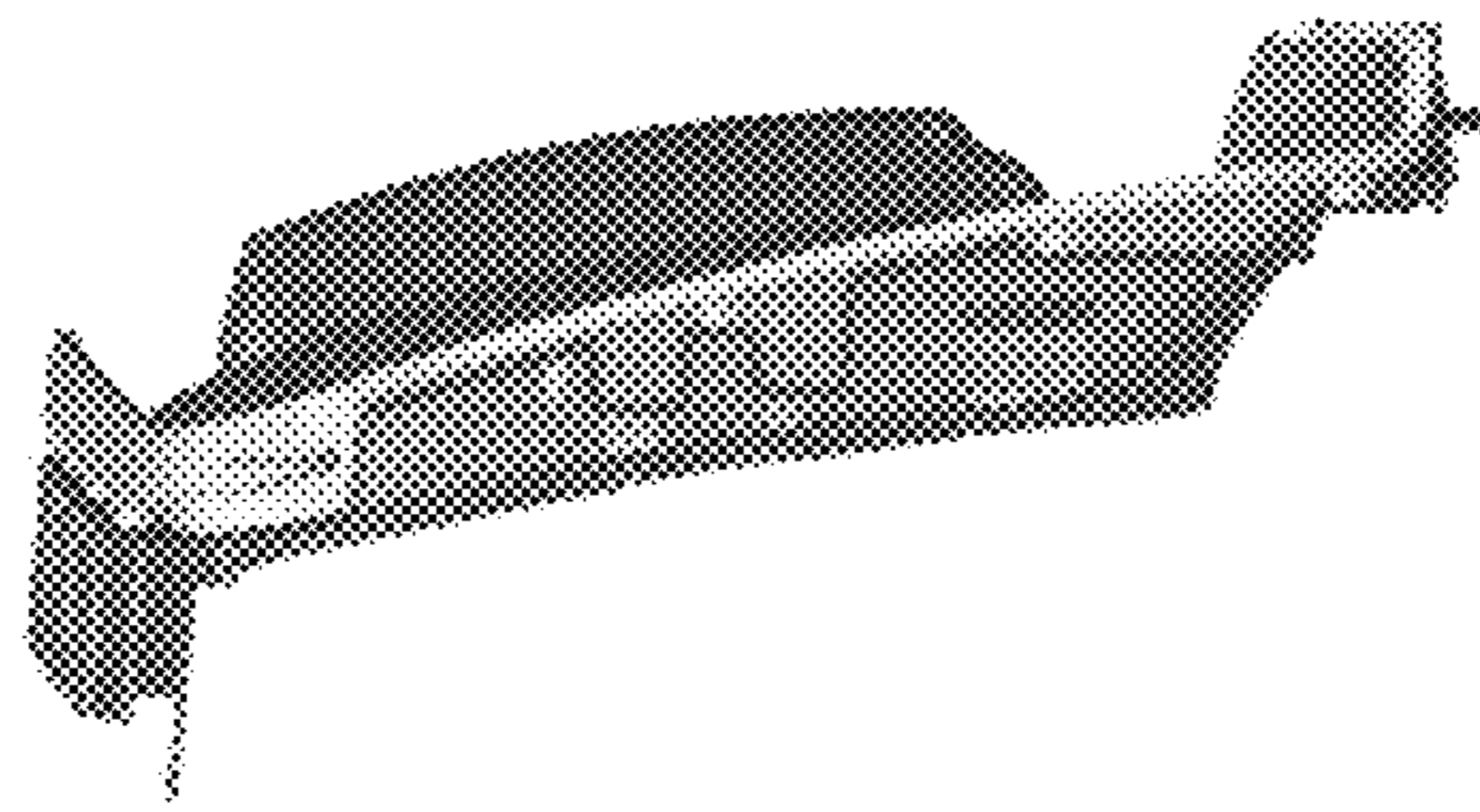


Figure 7

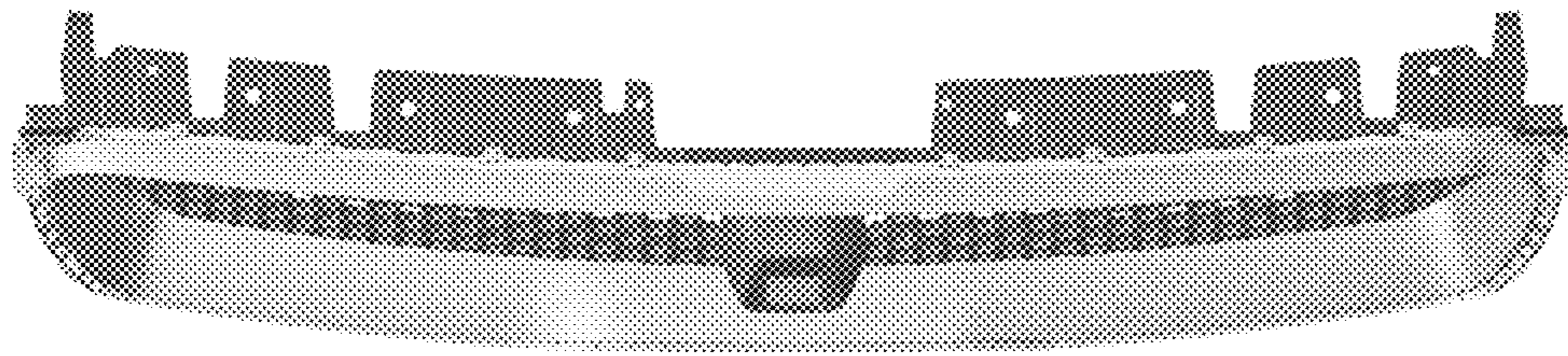


Figure 8

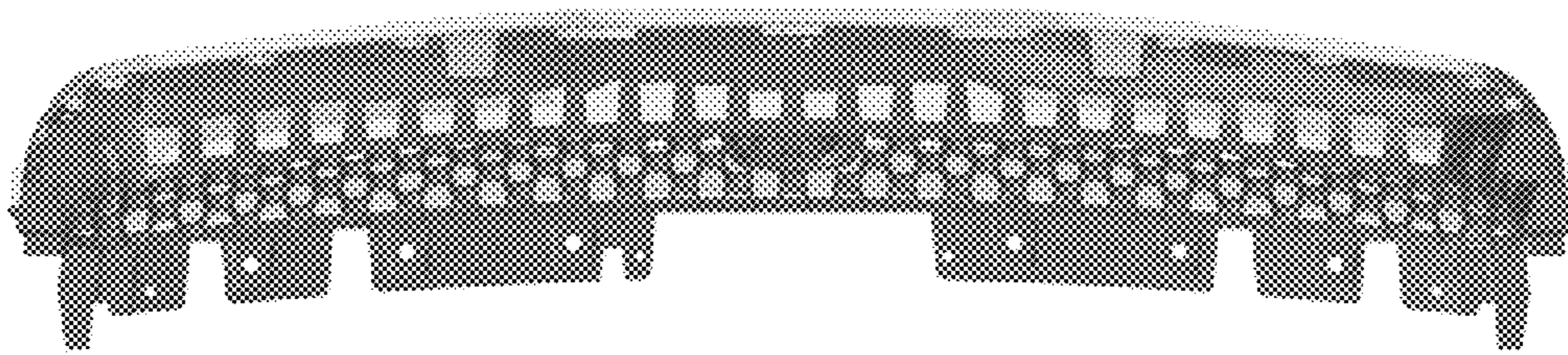


Figure 9