



US00D819512S

(12) **United States Design Patent**
Behmer et al.

(10) **Patent No.:** **US D819,512 S**
(45) **Date of Patent:** **** Jun. 5, 2018**

(54) **VEHICLE FRONT LOWER GRILLE**

(71) Applicant: **Ford Global Technologies, LLC,**
Dearborn, MI (US)

(72) Inventors: **Darrell P. Behmer,** Novi, MI (US);
Melvin Betancourt, Shelby Township,
MI (US); **Craig S. Metros,** Bloomfield,
MI (US); **Christopher Stevens,** Detroit,
MI (US)

(73) Assignee: **Ford Global Technologies, LLC,**
Dearborn, MI (US)

(**) Term: **15 Years**

(21) Appl. No.: **29/590,815**

(22) Filed: **Jan. 13, 2017**

(51) **LOC (11) Cl.** **12-16**

(52) **U.S. Cl.**
USPC **D12/163**

(58) **Field of Classification Search**
USPC D12/163, 196, 86, 90-92, 171, 169, 216,
D12/98; 180/68.1, 68.6; 293/193.11
CPC B62D 25/08; B62B 9/16; B60K 11/08;
B60R 19/52
See application file for complete search history.

(56) **References Cited**

U.S. PATENT DOCUMENTS

D473,500 S * 4/2003 Okumoto D12/169
D502,675 S * 3/2005 Ichinose D12/169
D504,366 S * 4/2005 Ishibashi D12/169
D533,819 S * 12/2006 Hogios D12/169

D561,072 S * 2/2008 Golden D12/169
D589,853 S 4/2009 Saridakis et al.
D678,137 S 3/2013 Behmer et al.
D678,824 S 3/2013 Behmer et al.
D680,033 S 4/2013 Behmer et al.
D712,318 S 9/2014 Mays et al.
D712,319 S 9/2014 Mays et al.
D712,797 S 9/2014 Mays et al.
D741,224 S * 10/2015 Rugar D12/91
D746,185 S 12/2015 Curic et al.
D754,563 S * 4/2016 Behmer D12/91
D756,274 S 5/2016 Curic et al.
D771,533 S * 11/2016 Kapitonov D12/169
D771,534 S * 11/2016 Bucher D12/169

* cited by examiner

Primary Examiner — Melody N. Brown

(74) *Attorney, Agent, or Firm* — James Dottavio

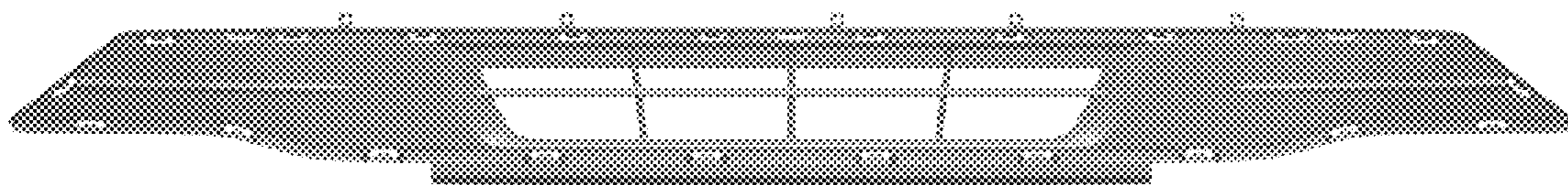
(57) **CLAIM**

The ornamental design for a vehicle front lower grille, as shown and described.

DESCRIPTION

FIG. 1 is a top, left perspective view of a vehicle front lower grille, showing our new design;
FIG. 2 is a bottom, left perspective view thereof ;
FIG. 3 is a top, rear perspective view thereof;
FIG. 4 is a front elevational view thereof;
FIG. 5 is a rear elevational view thereof;
FIG. 6 is a left side elevational view thereof;
FIG. 7 is a right side elevational view thereof;
FIG. 8 is a top plan view thereof; and,
FIG. 9 is a bottom plan view thereof.

1 Claim, 9 Drawing Sheets



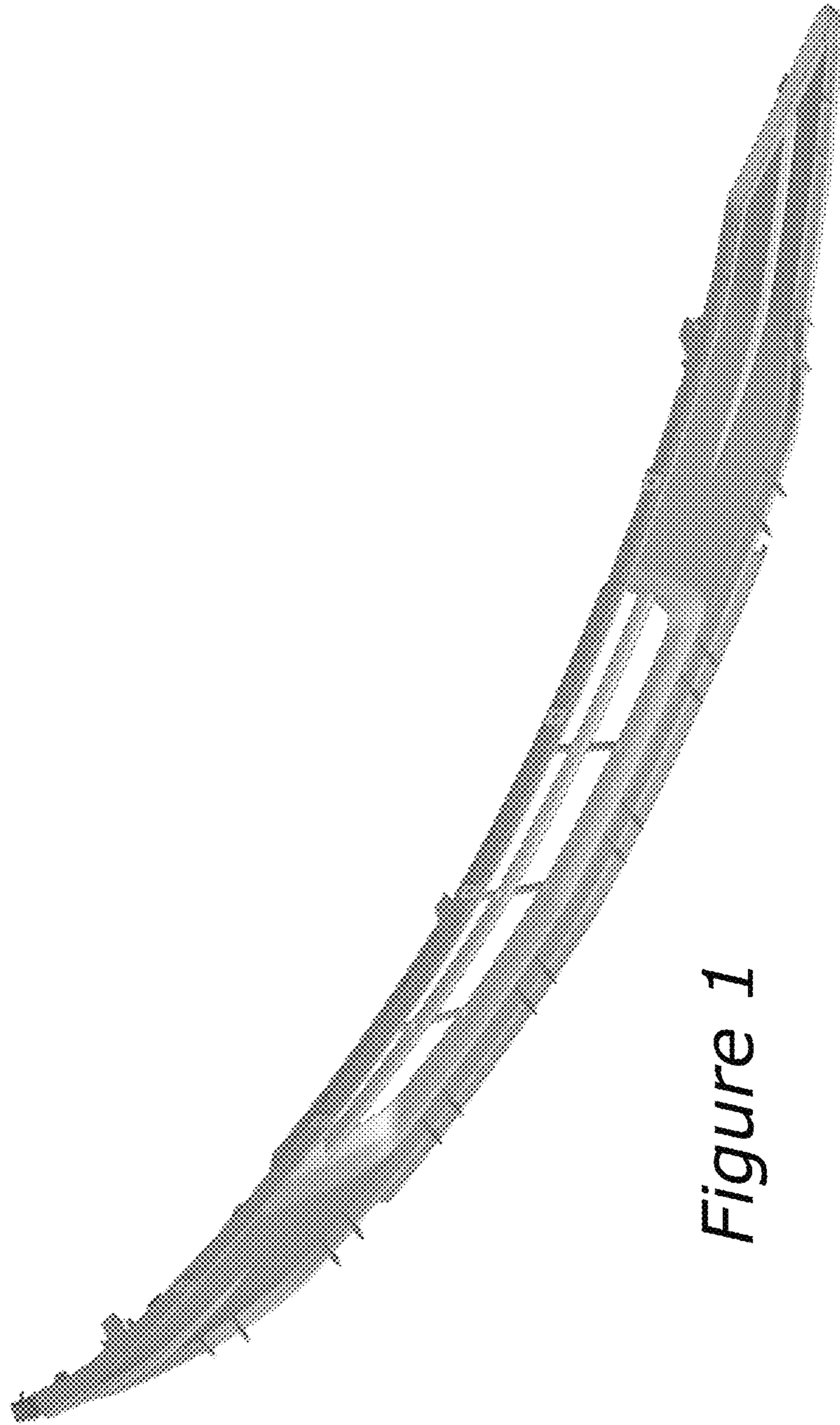


Figure 1

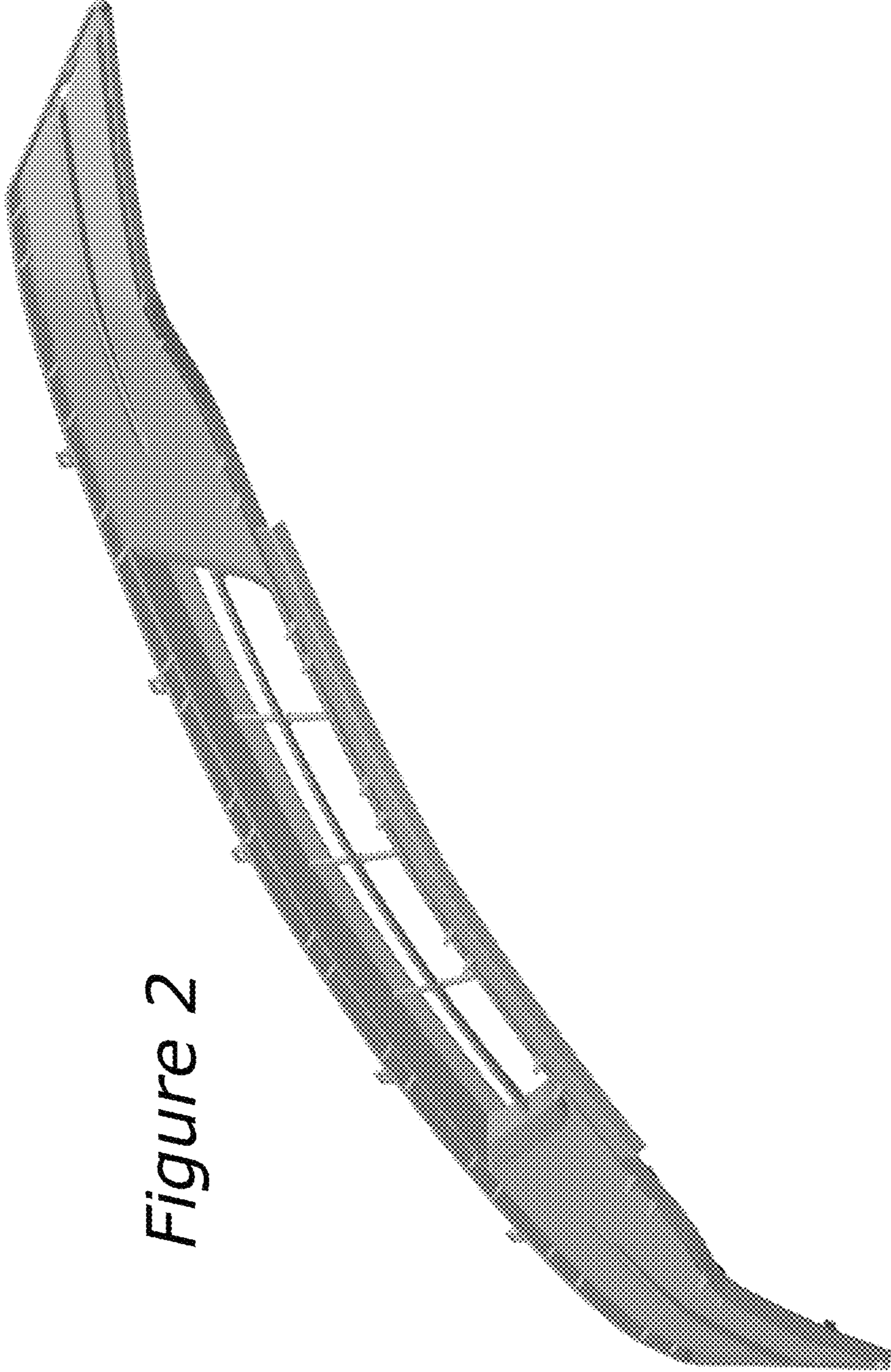


Figure 2

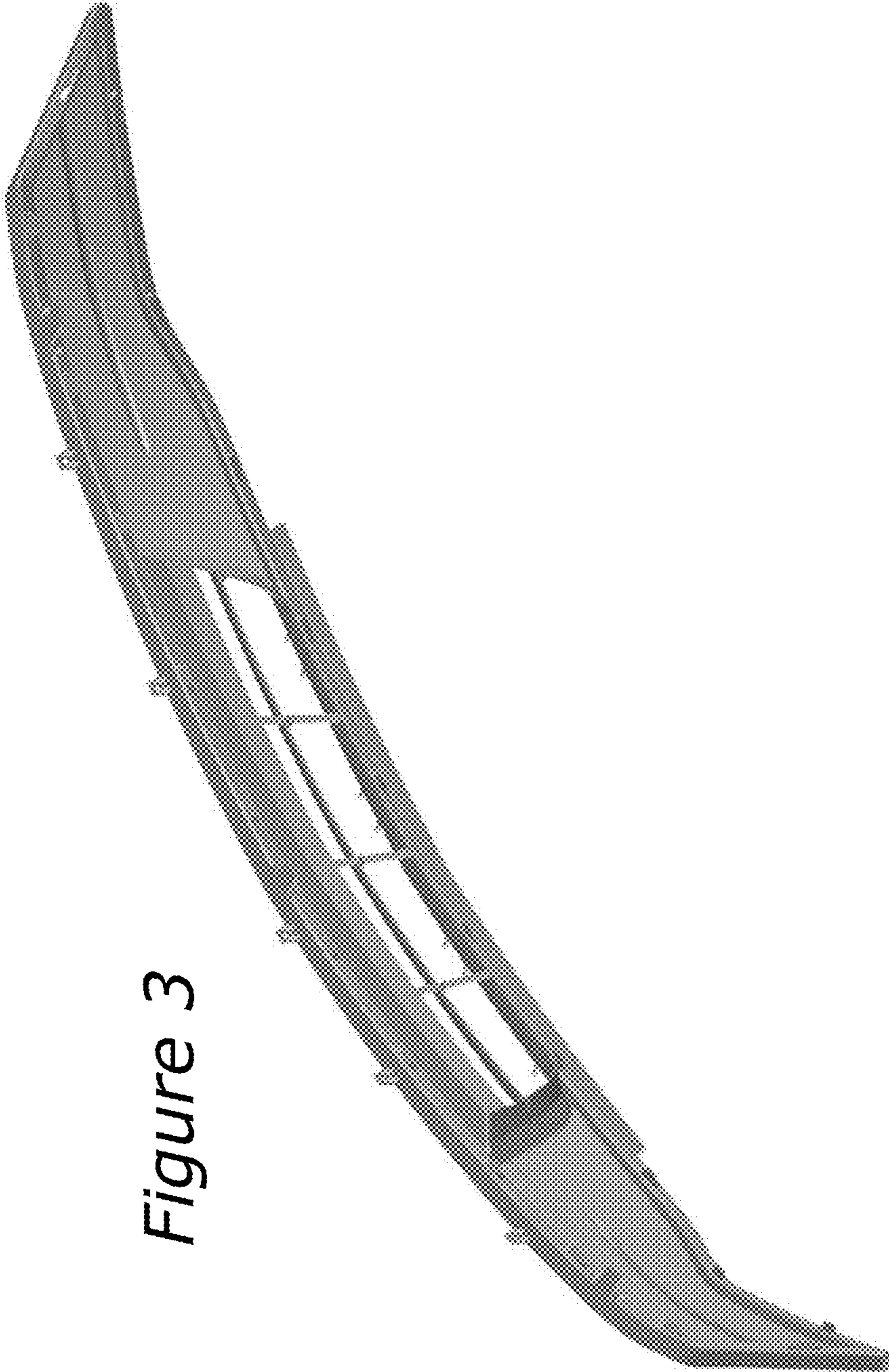


Figure 3

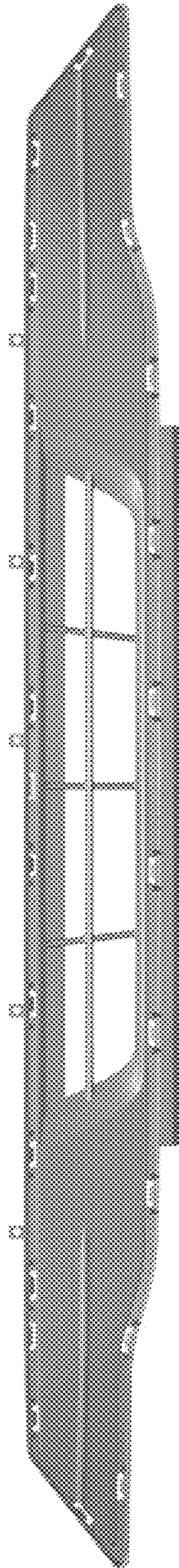


Figure 4

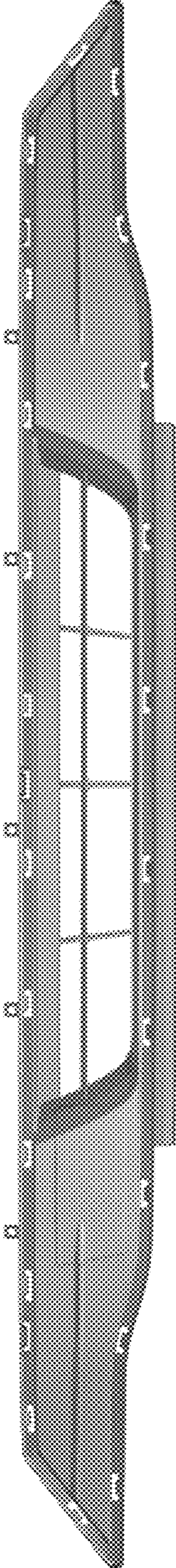


Figure 5

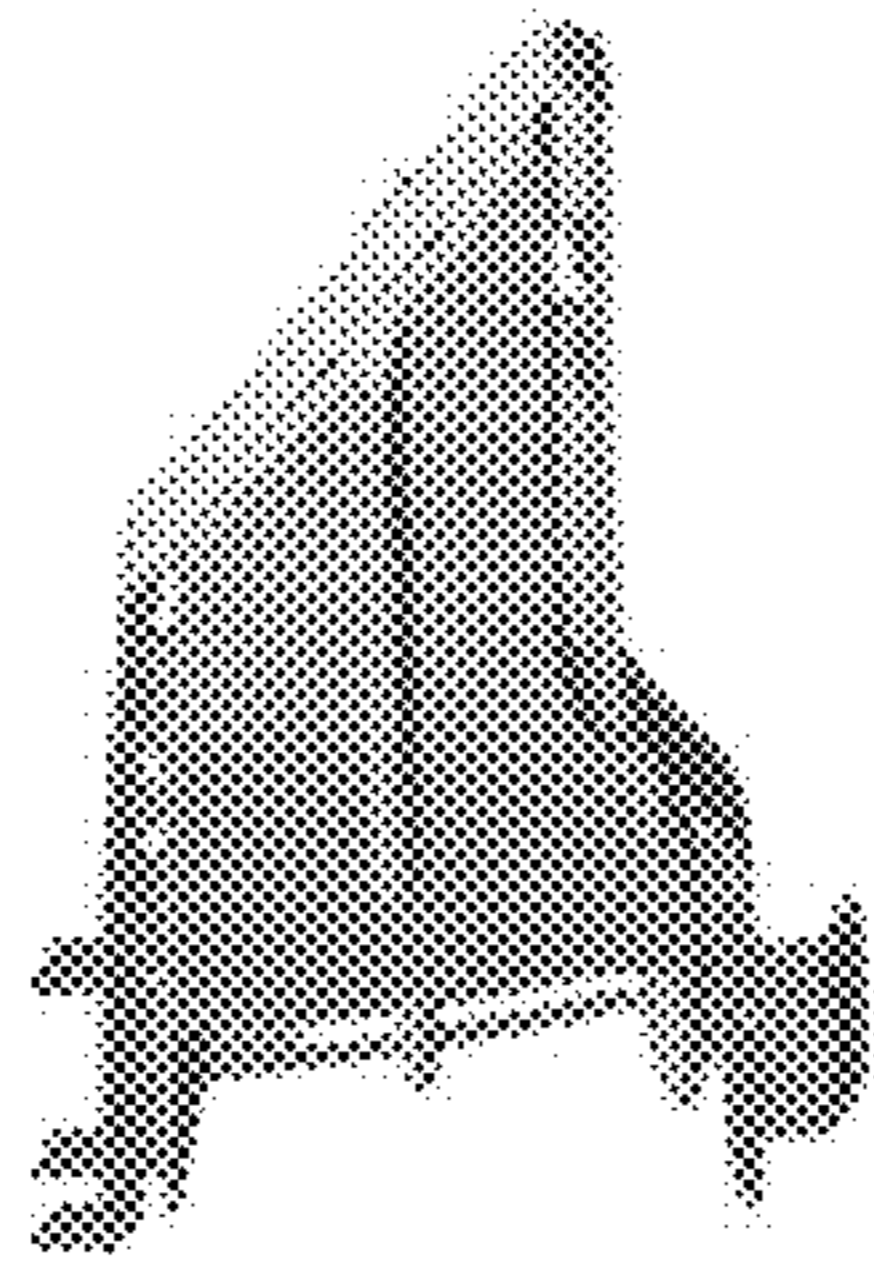


Figure 6

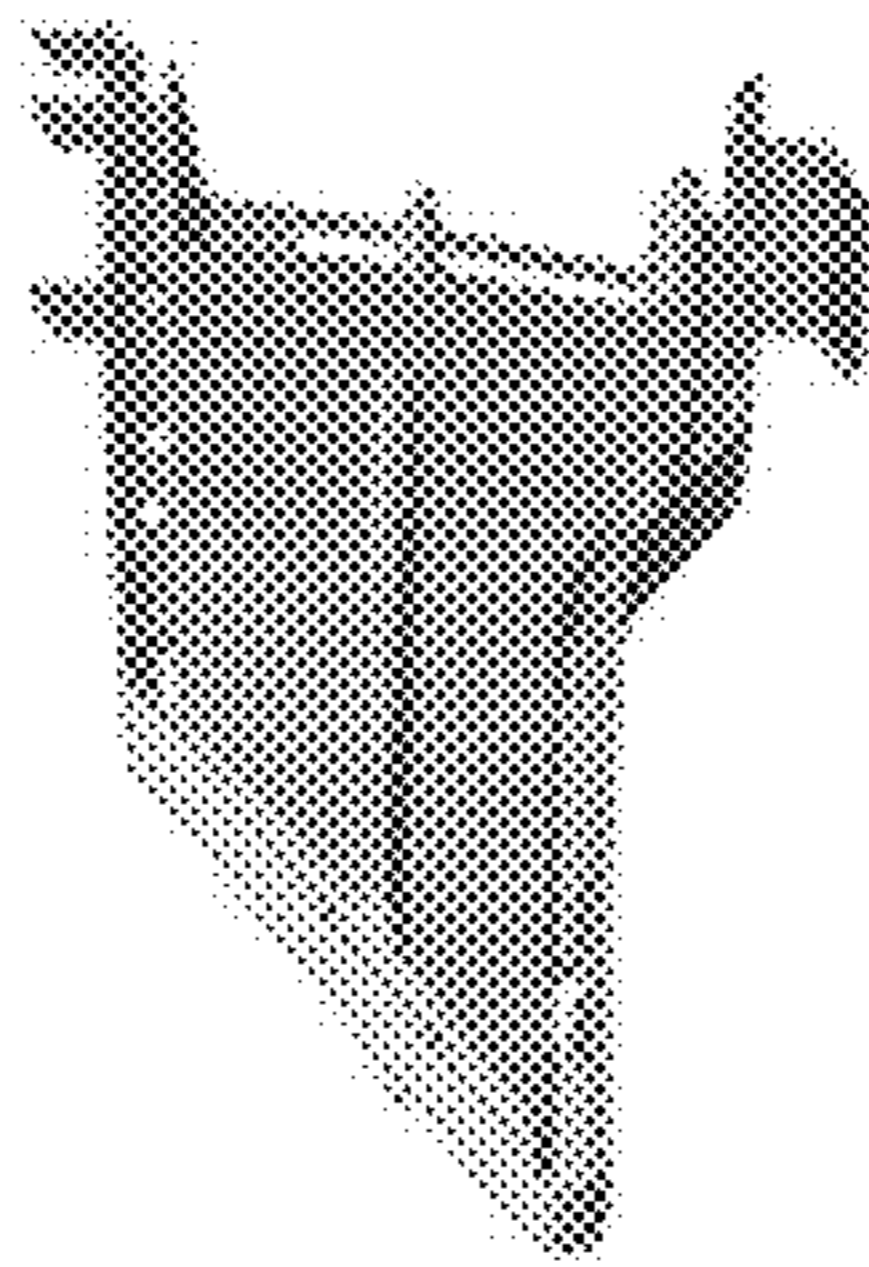


Figure 7

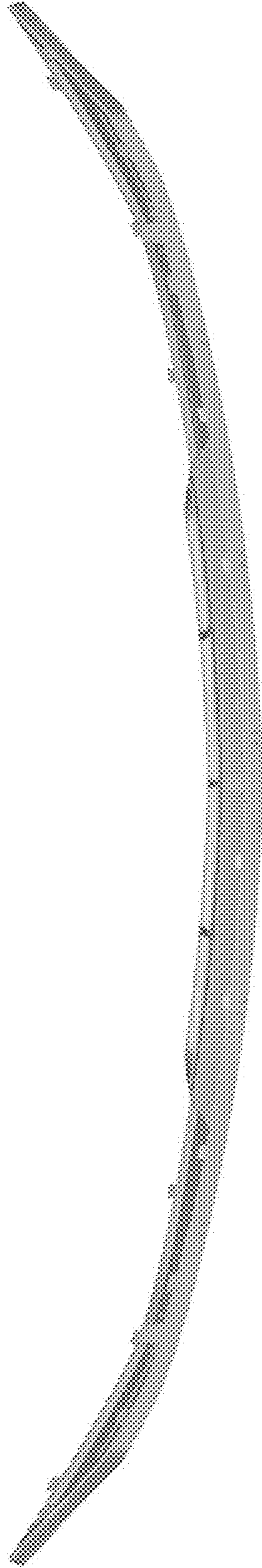


Figure 8

Figure 9

