



US00D819511S

(12) **United States Design Patent** (10) **Patent No.:** **US D819,511 S**
Ishii (45) **Date of Patent:** **** Jun. 5, 2018**

(54) **FRONT GRILLE FOR AUTOMOBILE** 7,887,125 B2 * 2/2011 Tazaki B60R 19/52
 296/187.09
 (71) Applicant: **Honda Motor Co., Ltd.**, Tokyo (JP) D665,313 S * 8/2012 Asakura D12/163
 D665,316 S * 8/2012 Asakura D12/163
 (72) Inventor: **Noriyuki Ishii**, Wako (JP) D702,600 S * 4/2014 Ajojima D12/163
 D717,217 S * 11/2014 Murakawa D12/163
 D720,264 S * 12/2014 Hanaoka D12/163
 (73) Assignee: **Honda Motor Co., Ltd.**, Tokyo (JP) D722,543 S * 2/2015 Kato D12/163
 D738,798 S * 9/2015 Morikawa D12/163
 (**) Term: **15 Years** D764,981 S * 8/2016 Tsutamori D12/163
 D797,013 S * 9/2017 Sahara D12/163
 (21) Appl. No.: **29/589,584** 2004/0178664 A1 * 9/2004 Hyuga B62D 25/08
 296/193.1
 (22) Filed: **Jan. 3, 2017** 2013/0107046 A1 * 5/2013 Forgue B60R 19/52
 348/148

(30) **Foreign Application Priority Data**
 Jul. 8, 2016 (JP) 2016-014576
 (51) **LOC (11) Cl.** **12-16**
 (52) **U.S. Cl.**
 USPC **D12/163**
 (58) **Field of Classification Search**
 USPC D12/86, 90, 91, 92, 163, 169, 196, 171,
 D12/216; D15/31
 CPC . B60R 19/52; B60R 2019/525; B60K 11/085;
 B62D 25/084; H01Q 1/32
 See application file for complete search history.

(56) **References Cited**
 U.S. PATENT DOCUMENTS
 D600,170 S * 9/2009 Endoh D12/163
 D604,210 S * 11/2009 Kim D12/163
 D614,543 S * 4/2010 Kitazumi D12/163
 D631,405 S * 1/2011 Kuze D12/163

* cited by examiner
 Primary Examiner — Darlington Ly
 (74) *Attorney, Agent, or Firm* — Plumsea Law Group,
 LLC

(57) **CLAIM**
 The ornamental design for a front grille for automobile, as
 shown and described.

DESCRIPTION
 FIG. 1 is a front perspective view of a front grille for
 automobile showing my new design;
 FIG. 2 is a front elevation view thereof;
 FIG. 3 is a top plan view thereof;
 FIG. 4 is a left-side elevation view thereof; and,
 FIG. 5 is a right-side elevation view thereof.
 The broken lines in the drawings illustrate portions of the
 front grille for automobile that form no part of the claimed
 design.

1 Claim, 5 Drawing Sheets

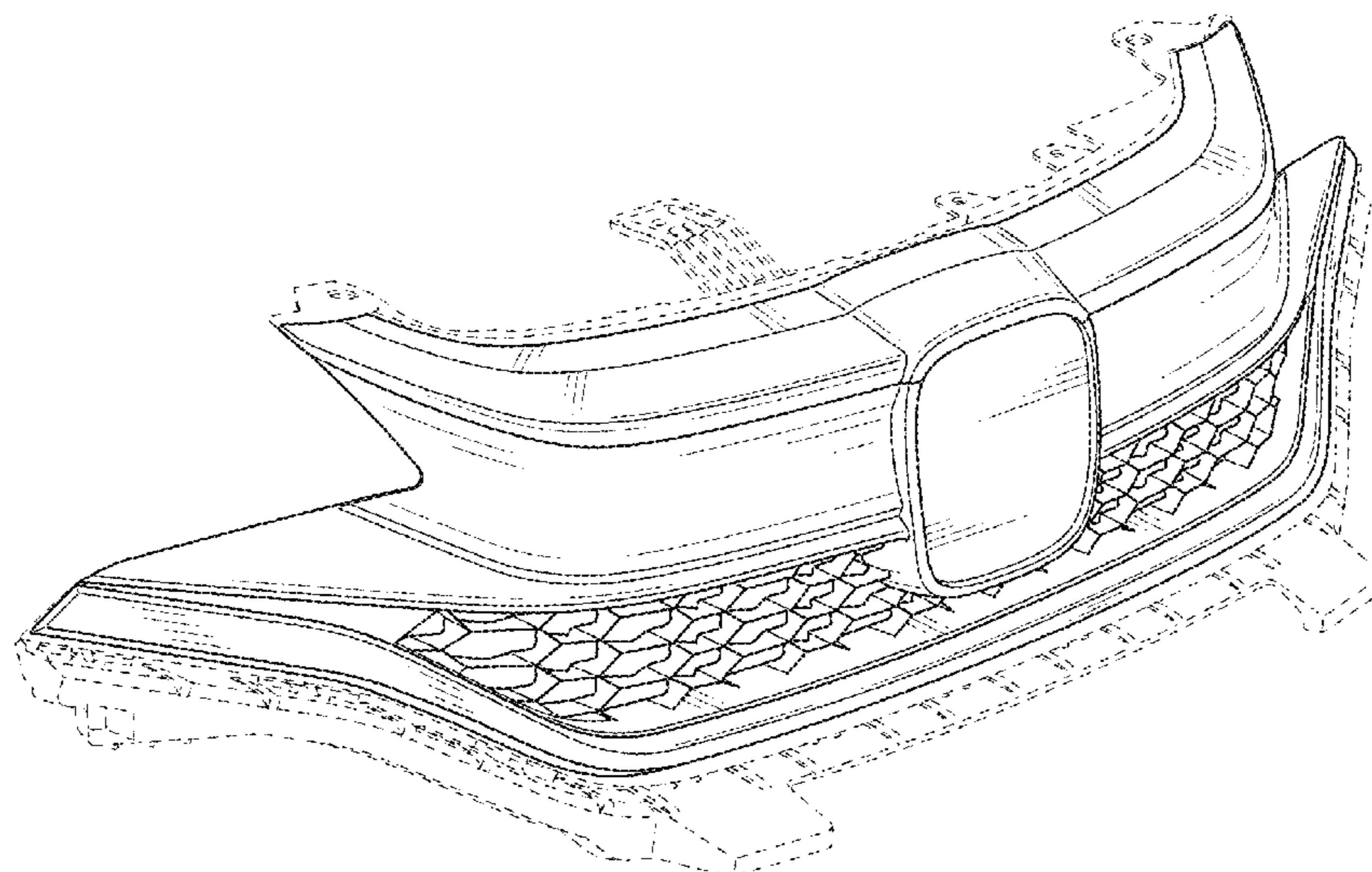


FIG. 1

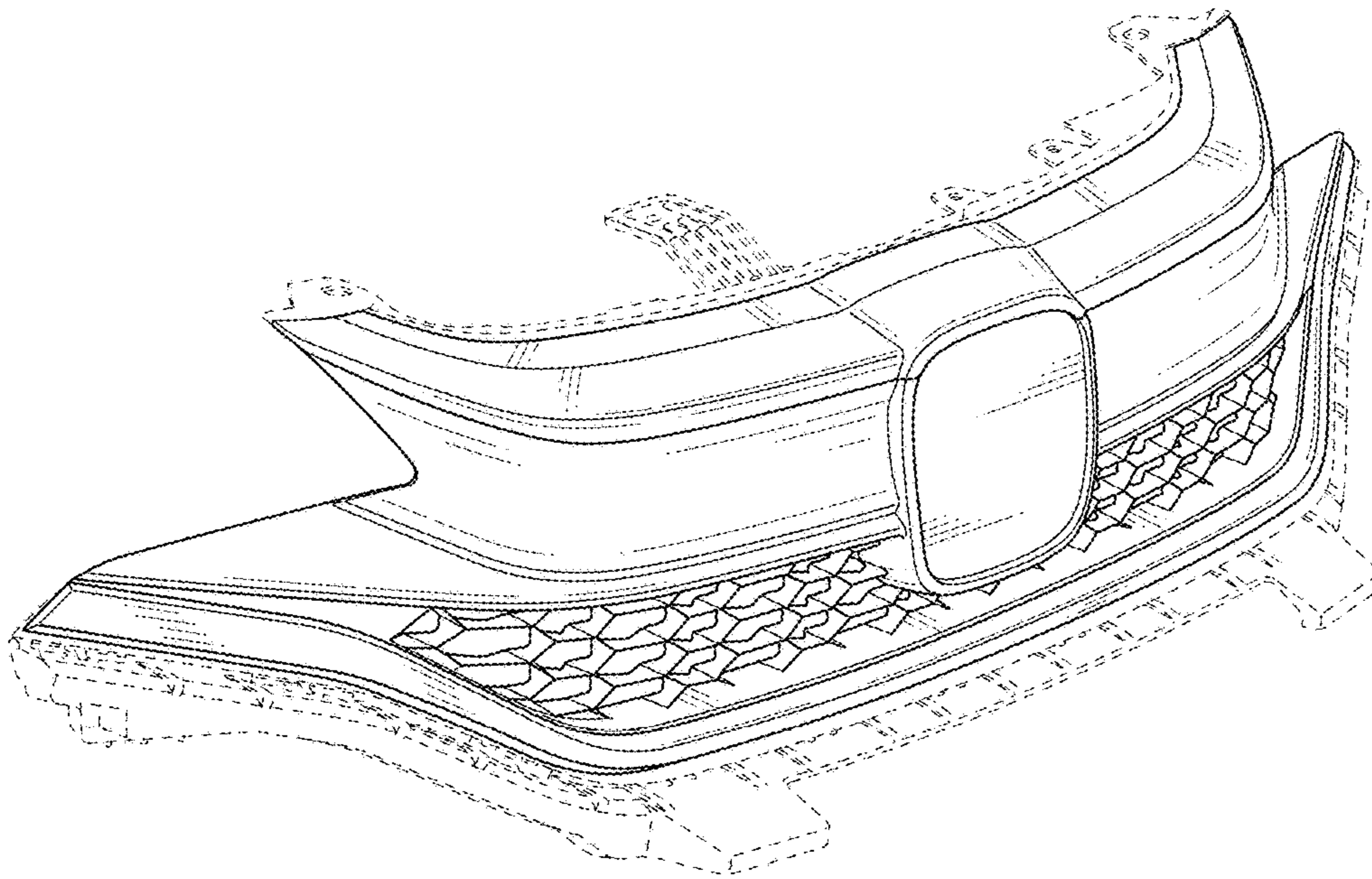


FIG. 2

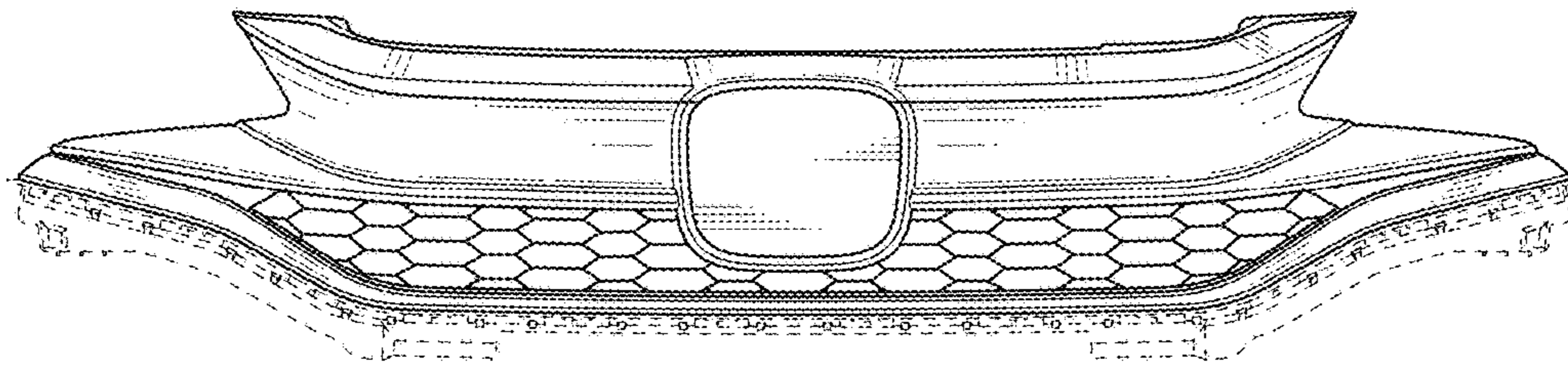


FIG. 3

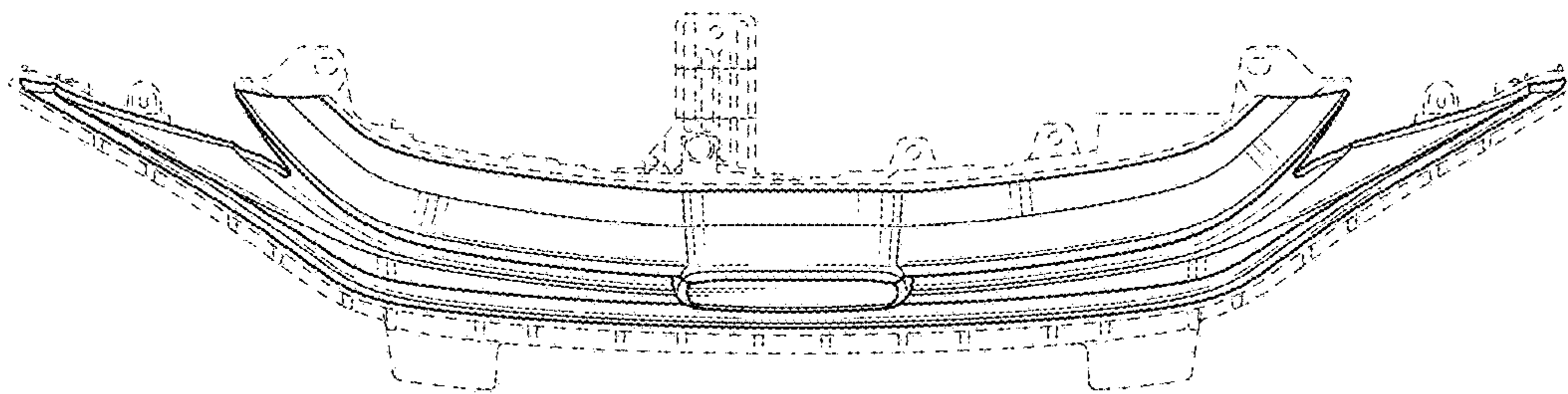


FIG. 4

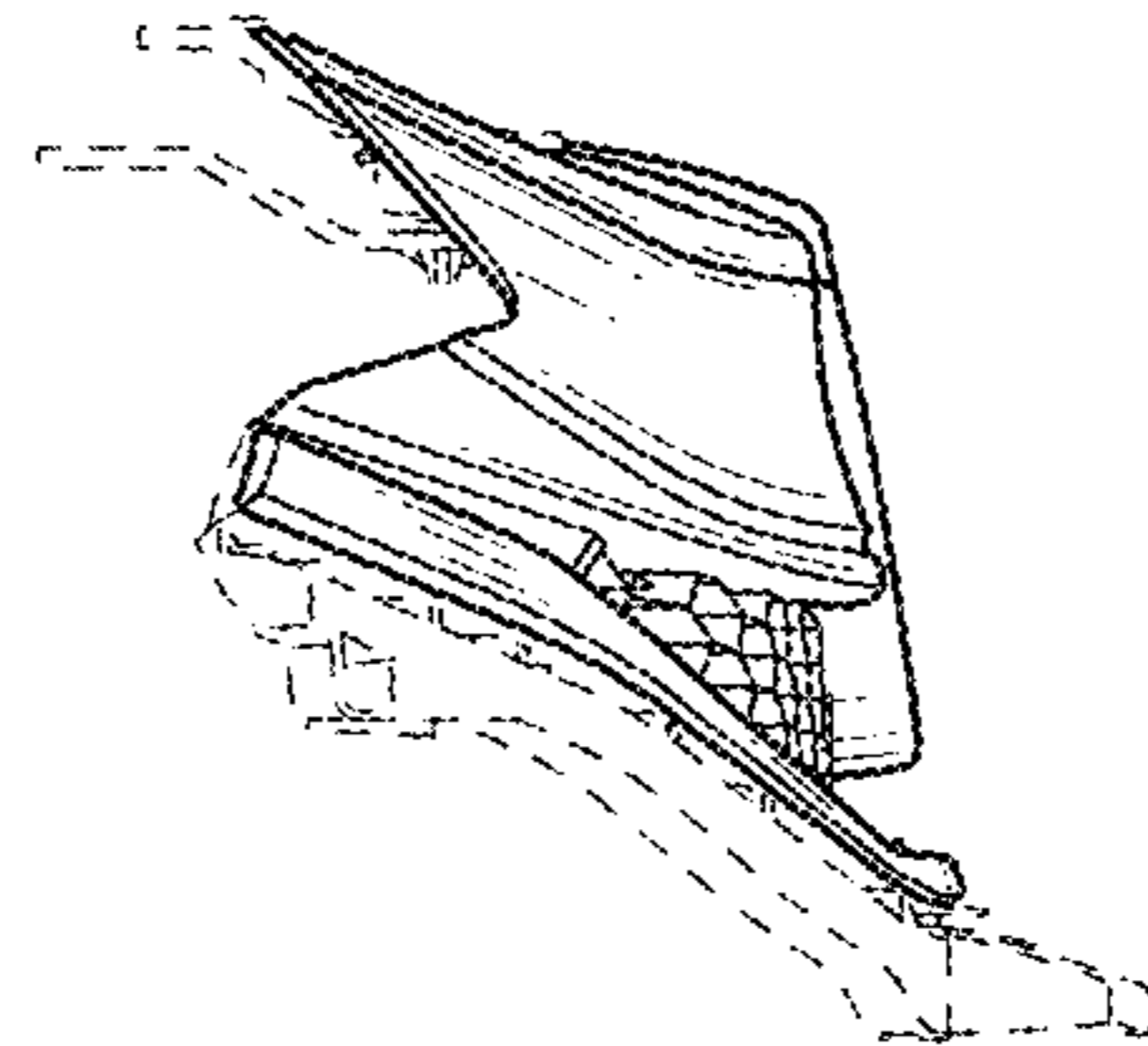


FIG. 5

