



US00D819510S

(12) **United States Design Patent**
Zhang

(10) **Patent No.:** **US D819,510 S**

(45) **Date of Patent:** **** Jun. 5, 2018**

(54) **FRONT CAR GRILLE**

(71) Applicant: **Wenyan Zhang**, Shanghai (CN)

(72) Inventor: **Wenyan Zhang**, Shanghai (CN)

(**) Term: **15 Years**

(21) Appl. No.: **29/588,274**

(22) Filed: **Dec. 19, 2016**

(51) **LOC (11) Cl.** **12-16**

(52) **U.S. Cl.**
USPC **D12/163**

(58) **Field of Classification Search**
USPC D12/163, 164, 165, 166, 167, 168, 169,
D12/170, 171, 172, 173, 181; D21/313,
D21/433, 434
CPC B60K 11/08; B62L 39/16; B60R 19/50;
B62D 25/08
See application file for complete search history.

(56) **References Cited**

U.S. PATENT DOCUMENTS

1,634,828	A	*	7/1927	Gordon	B60K 11/08	180/68.1
D328,317	S	*	7/1992	Harrod	D21/433	
D400,146	S	*	10/1998	Marsceau et al.	D21/433	
D410,502	S	*	6/1999	Harrod	D21/433	
D464,086	S	*	10/2002	Wu	D21/433	
D464,087	S	*	10/2002	Wu	D21/433	
D521,424	S	*	5/2006	Sackley	D12/163	

D705,706	S	*	5/2014	Kawasaki	D12/169	
D720,815	S	*	1/2015	Talios	D21/433	
D737,740	S	*	9/2015	Goeppel	D12/169	
D738,799	S	*	9/2015	Goeppel	D12/169	
D771,530	S	*	11/2016	Schneider	D12/169	
D775,014	S	*	12/2016	Higgs	D12/170	
D775,015	S	*	12/2016	Higgs	D12/170	
D800,226	S	*	10/2017	Zeng	D21/433	

* cited by examiner

Primary Examiner — Susan Bennett Hattan

Assistant Examiner — Suzanne E Tisdell

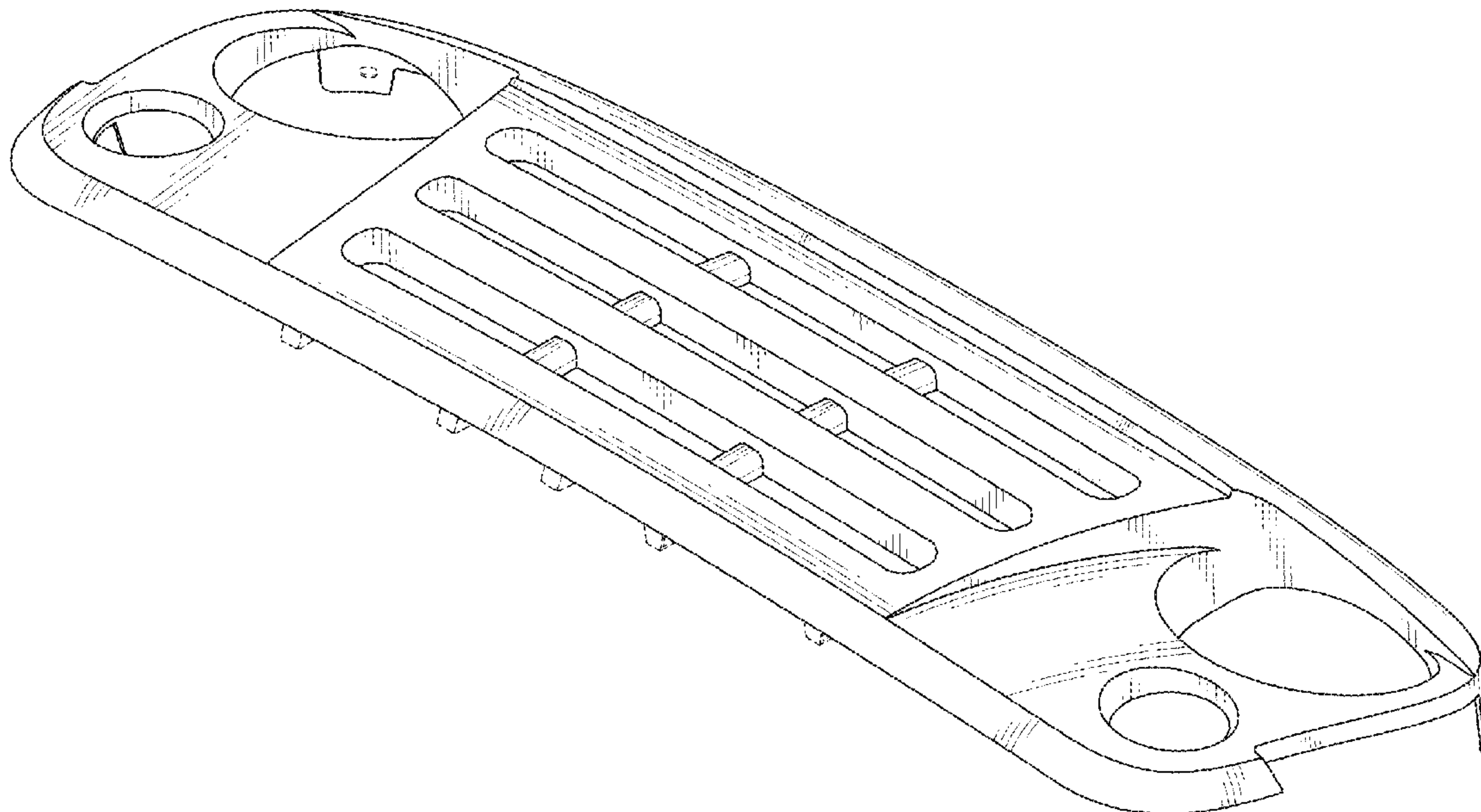
(57) **CLAIM**

The ornamental design for a front car grille, as shown and described.

DESCRIPTION

FIG. 1 is a first perspective view of a front car grille showing my new design;
FIG. 2 is a second perspective view thereof;
FIG. 3 is a front elevational view thereof;
FIG. 4 is a rear elevational view thereof;
FIG. 5 is a left side view thereof;
FIG. 6 is a right side view thereof;
FIG. 7 is a top plan view thereof; and,
FIG. 8 is a bottom plan view thereof.
The broken lines in the drawings illustrate portions of the front car grille which form no part of the claimed design.

1 Claim, 8 Drawing Sheets



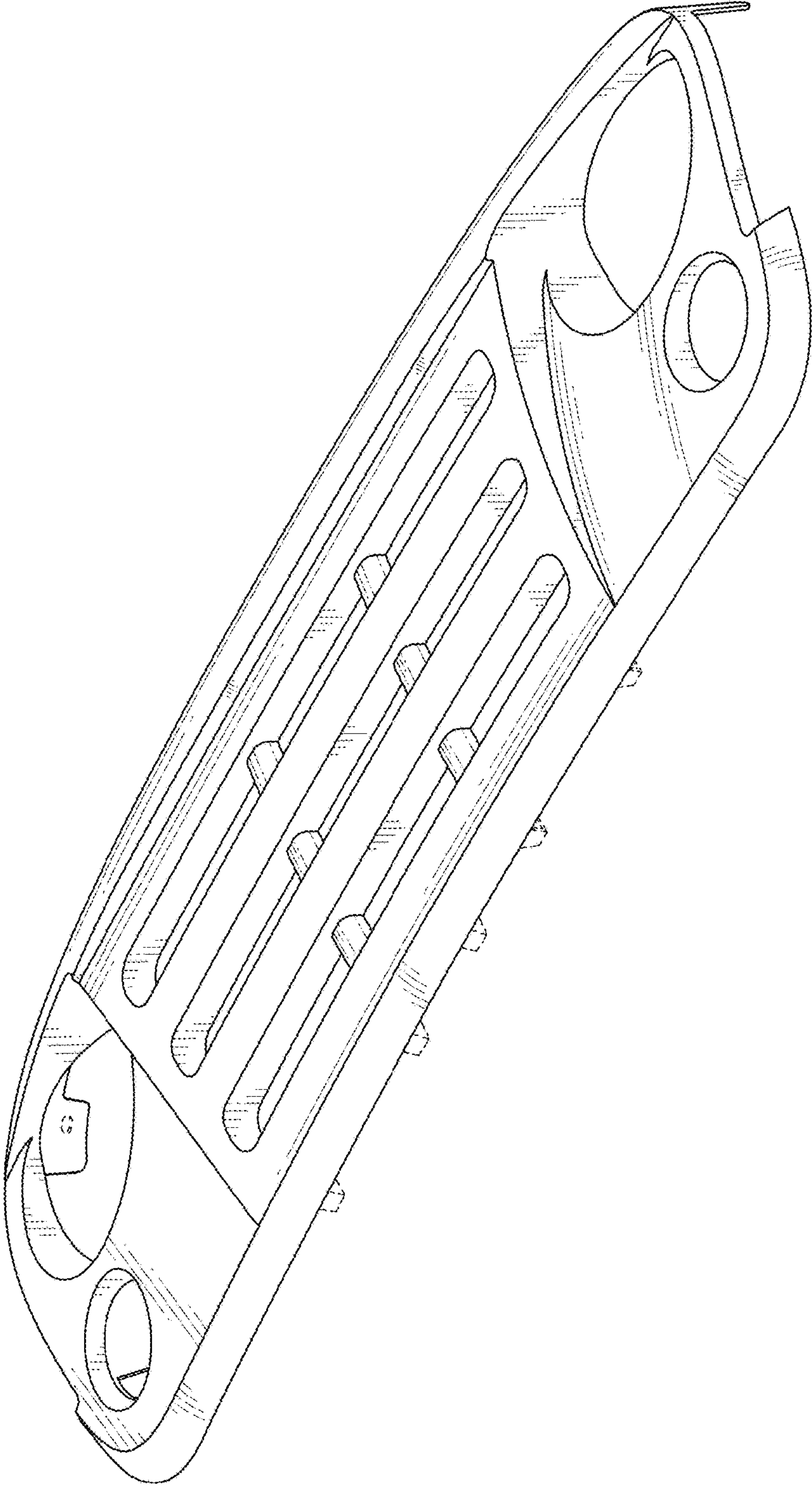


FIG. 1

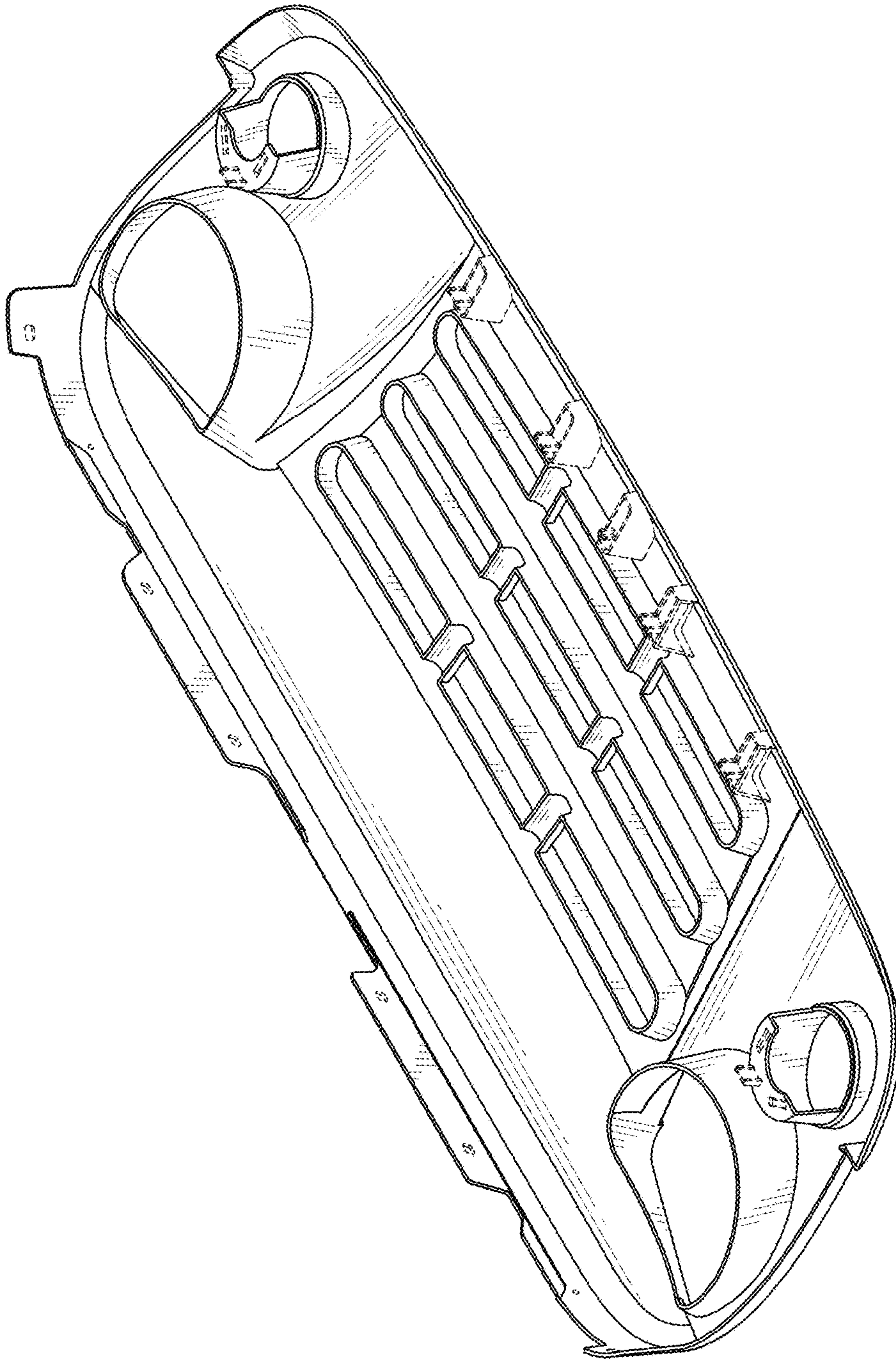


FIG. 2

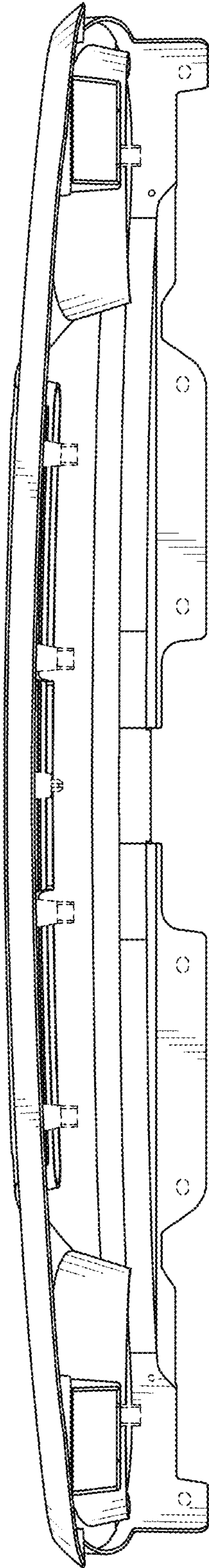


FIG. 3

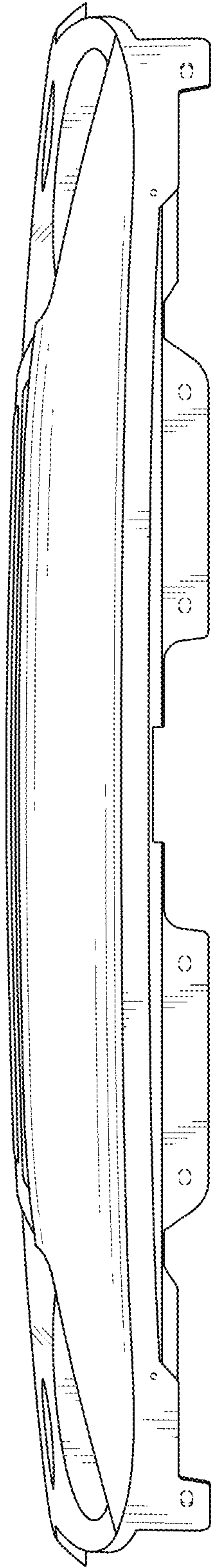


FIG. 4

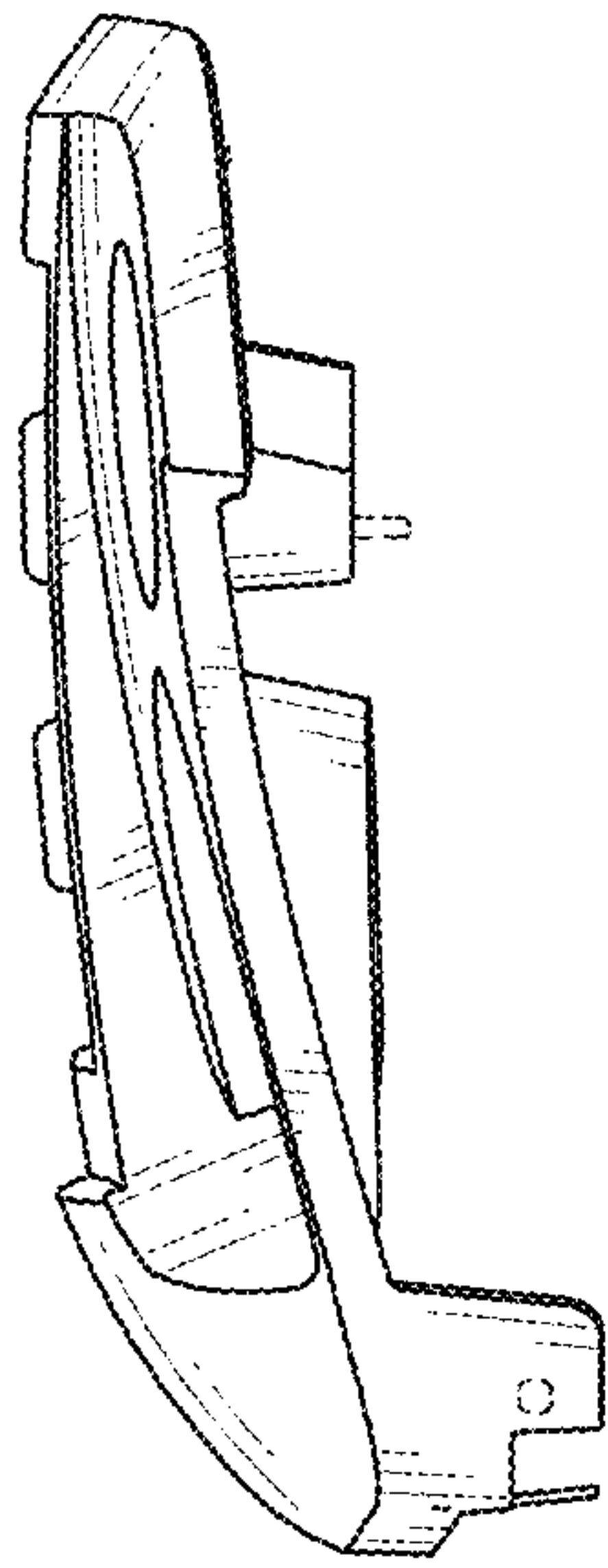


FIG. 5

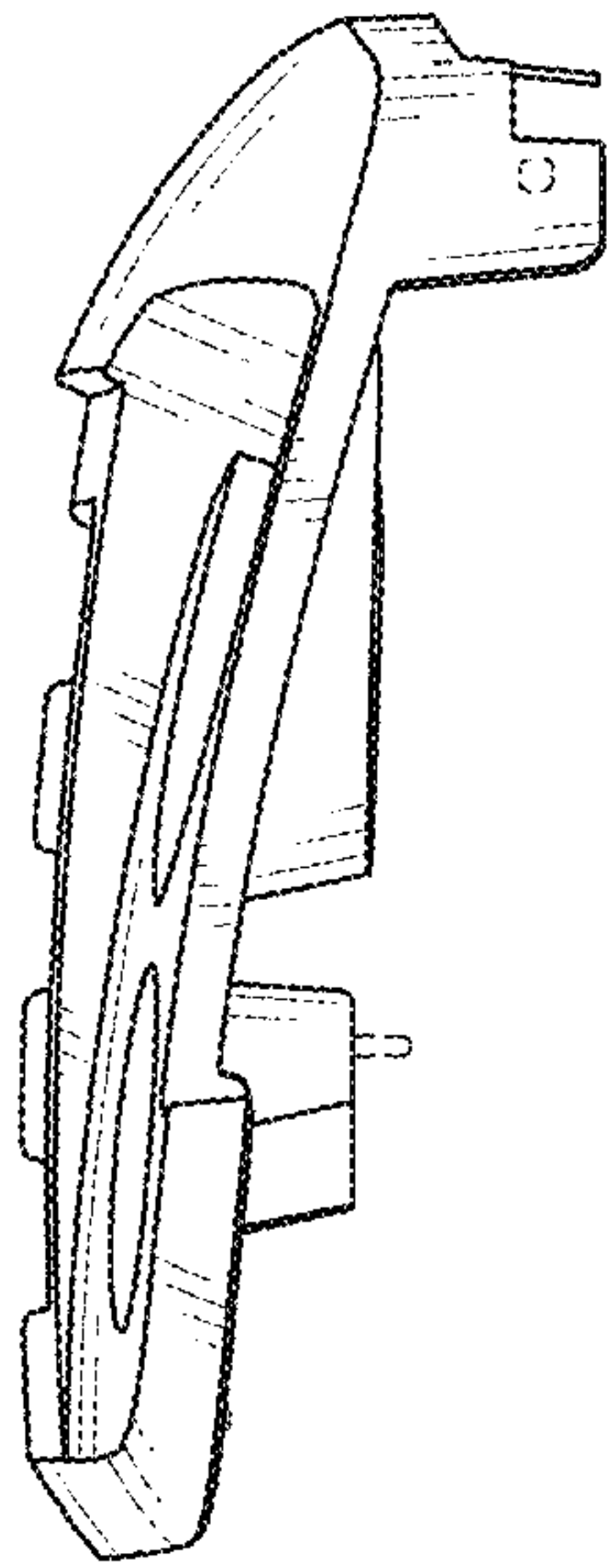


FIG. 6

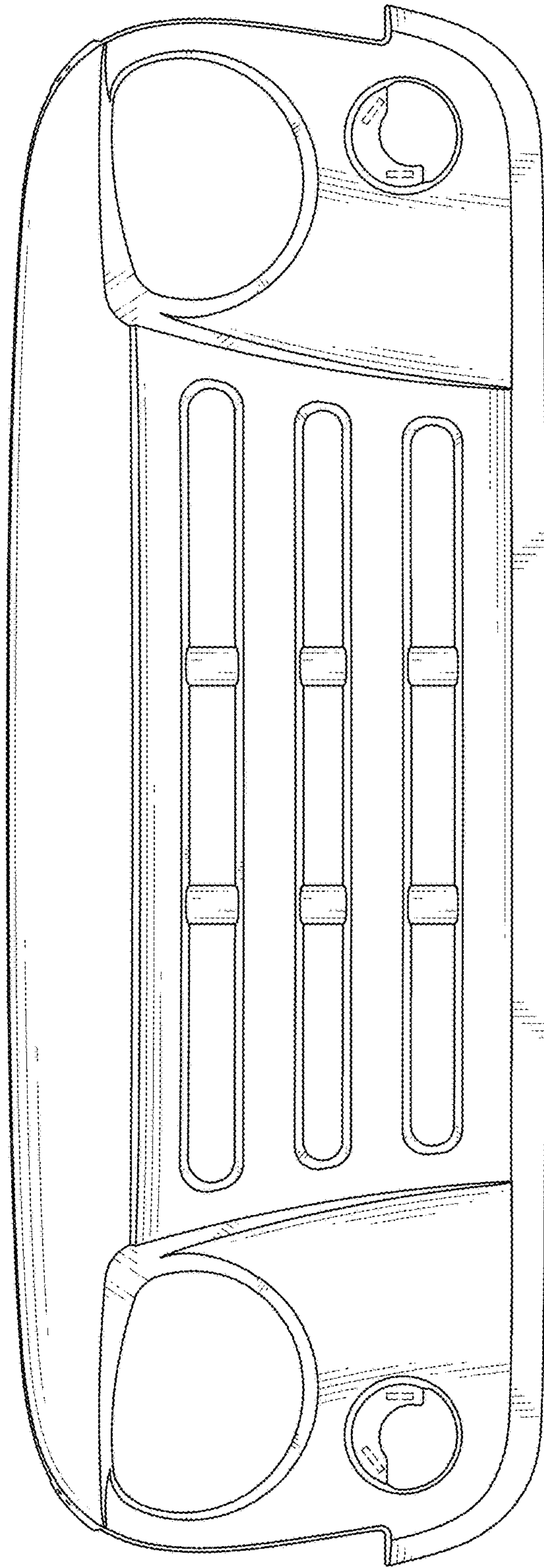


FIG. 7

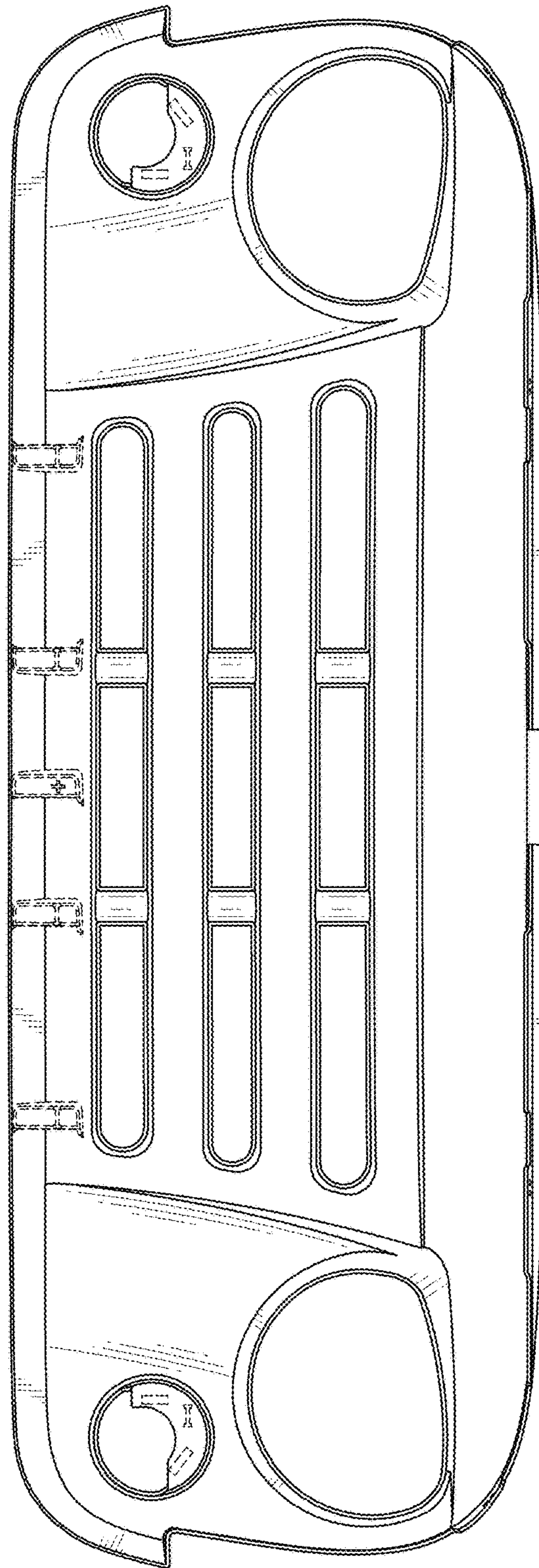


FIG. 8