



US00D819504S

(12) **United States Design Patent**
Lalo

(10) **Patent No.:** **US D819,504 S**

(45) **Date of Patent:** **** Jun. 5, 2018**

(54) **RADIATOR GRILLE FOR AN AUTOMOBILE**

(71) Applicant: **Nissan Motor Co., Ltd.**, Yokohama,
Kanagawa (JP)

(72) Inventor: **Christophe Lalo**, London (GB)

(73) Assignee: **Nissan Motor Co., Ltd.**, Yokohama
(JP)

(**) Term: **15 Years**

(21) Appl. No.: **29/573,299**

(22) Filed: **Aug. 4, 2016**

(30) **Foreign Application Priority Data**

Feb. 5, 2016 (JP) 2016-002459

(51) **LOC (11) Cl.** **12-16**

(52) **U.S. Cl.**
USPC **D12/163**

(58) **Field of Classification Search**

USPC D12/86, 91, 93, 163, 164, 166, 167, 169,
D12/171, 172, 173, 190, 216

CPC B60R 19/12; B60R 19/38; B60R 19/52;
B60R 19/023; B60R 13/00; B60R 13/005;
B60R 13/04; B60K 11/04; B60K 11/08;
B60K 11/085; B60Q 1/50; B60Q 1/2661;
B60Q 1/38; B62D 25/08; B62B 9/16

See application file for complete search history.

(56) **References Cited**

U.S. PATENT DOCUMENTS

4,917,203 A * 4/1990 Sacco B60K 11/04
180/68.6
D497,849 S * 11/2004 Yanase D12/163
D570,259 S * 6/2008 Choi D12/163
D592,111 S * 5/2009 Janik D12/163
D614,534 S * 4/2010 Weaver D12/90
D614,542 S * 4/2010 Kasai D12/163

D628,938 S * 12/2010 Yamazaki D12/91
D634,676 S * 3/2011 Lida D12/163
D637,113 S * 5/2011 Yukawa D12/92
D670,214 S * 11/2012 Watanabe D12/163
D682,752 S * 5/2013 Yoshida D12/163
D686,117 S * 7/2013 Tase D12/163
D695,645 S * 12/2013 Tase D12/91
D705,137 S * 5/2014 Kawasaki D12/163
D748,015 S * 1/2016 Ino D12/98
D766,782 S * 9/2016 Arroba D12/163
D773,341 S * 12/2016 Liu D12/92
D774,999 S * 12/2016 Liu D12/163
D783,465 S * 4/2017 Choi D12/163
D789,844 S * 6/2017 Sakai D12/163
D789,845 S * 6/2017 Oohashi D12/163
D792,814 S * 7/2017 Kozub D12/163

(Continued)

Primary Examiner — Susan Bennett Hattan

Assistant Examiner — Suzanne E Tisdell

(57) **CLAIM**

The ornamental design for a radiator grille for an automobile, as shown and described.

DESCRIPTION

FIG. 1 is a front elevational view of a radiator grille for an automobile in accordance with my new design;

FIG. 2 is a top plan view thereof;

FIG. 3 is a bottom plan view thereof;

FIG. 4 is a left side elevational view thereof;

FIG. 5 is a right side elevational view thereof;

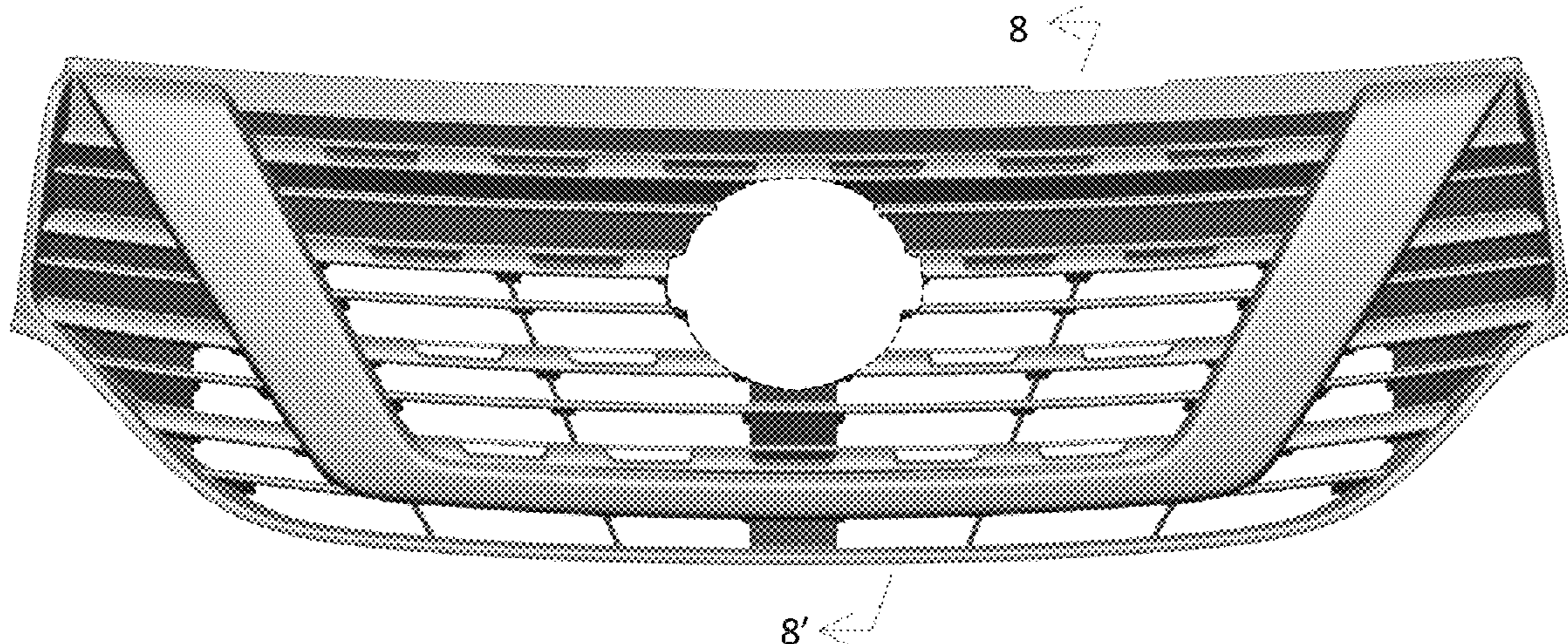
FIG. 6 is a front-right-top side perspective view thereof;

FIG. 7 is a front-left-bottom side perspective view thereof; and,

FIG. 8 is an enlarged cross-sectional view thereof, taken along a section line 8-8' in FIG. 1.

The broken line shown on the radiator grille is for purpose of illustrating environmental structure and forms no part of the claimed design. The rear view of the radiator grille forms no part of the claimed design.

1 Claim, 8 Drawing Sheets



(56)

References Cited

U.S. PATENT DOCUMENTS

2008/0157566 A1* 7/2008 Tazaki B60R 19/52
296/193.1
2009/0072556 A1* 3/2009 Kudelko B60R 19/52
293/115
2017/0137954 A1* 5/2017 Hashimoto B60K 11/08

* cited by examiner

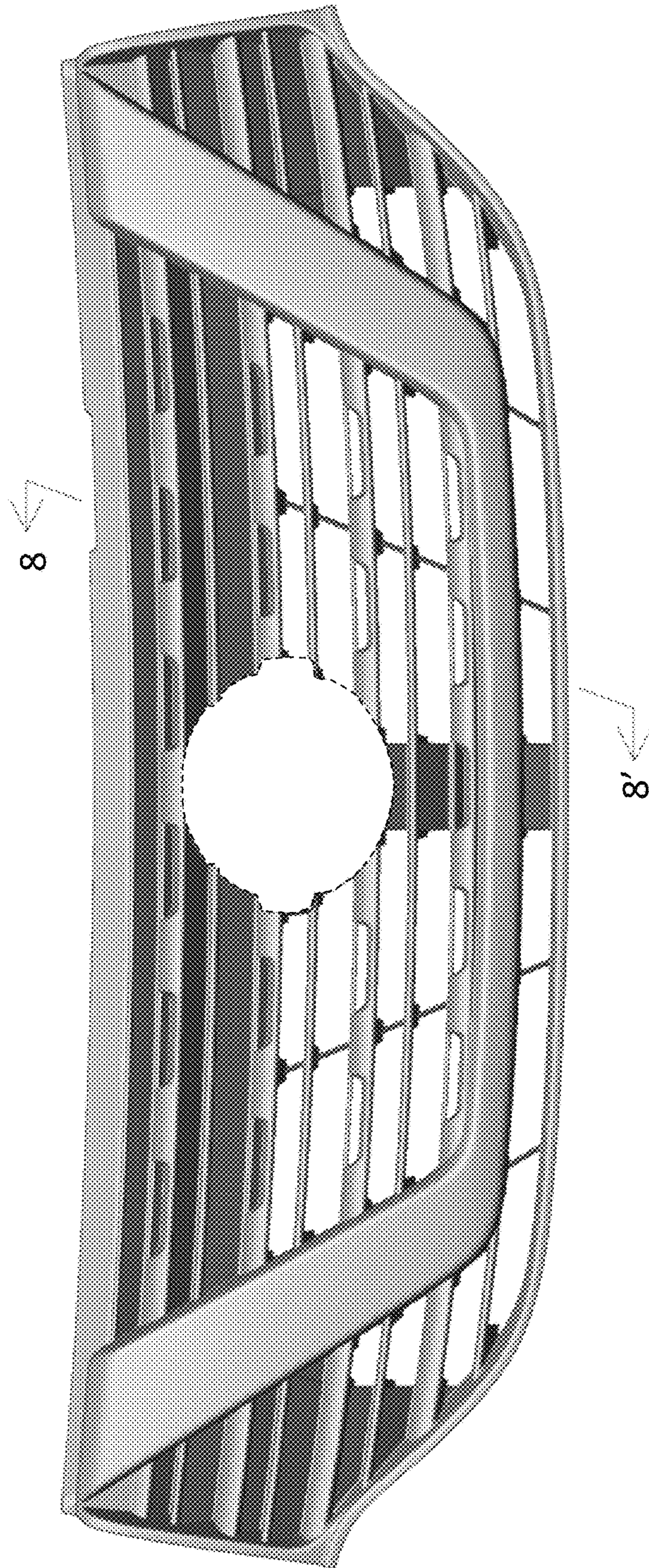


FIG. 1

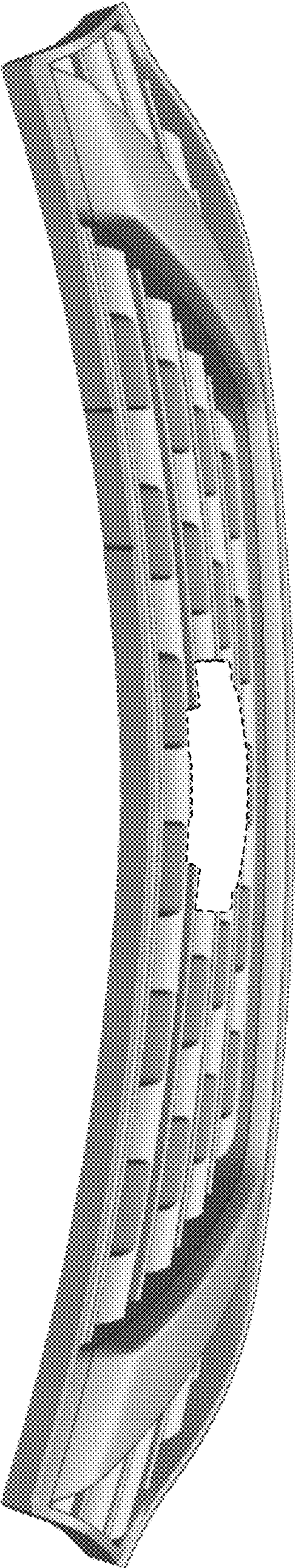


FIG. 2

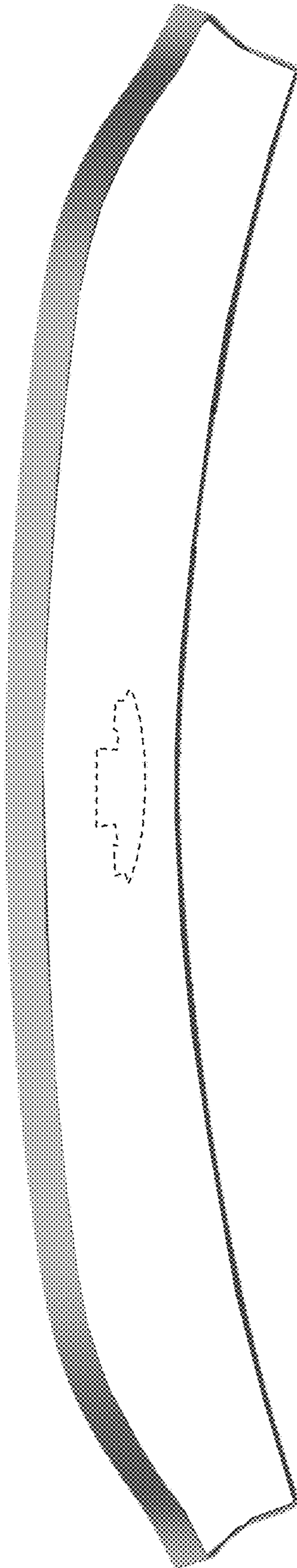


FIG. 3

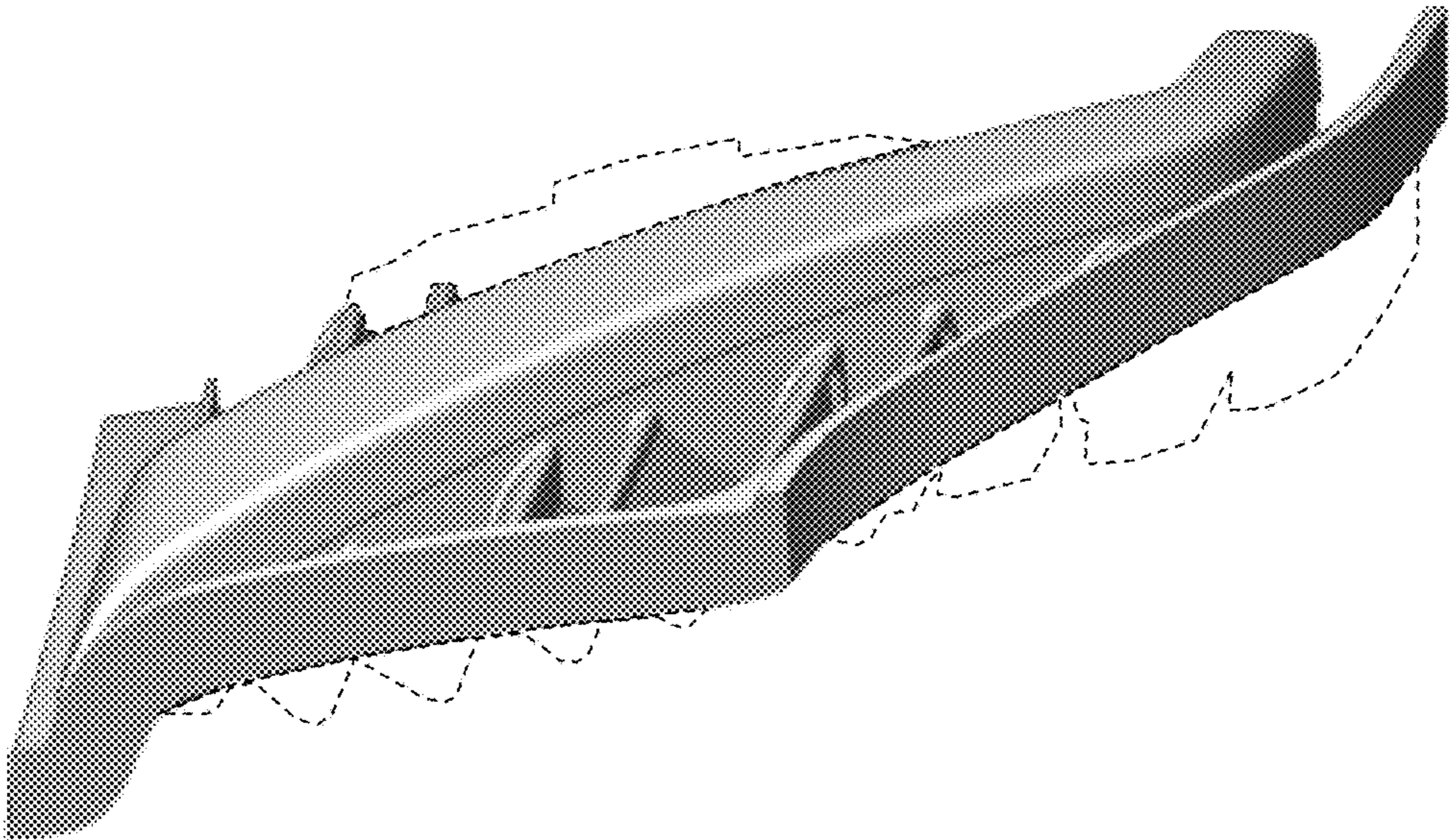


FIG. 4

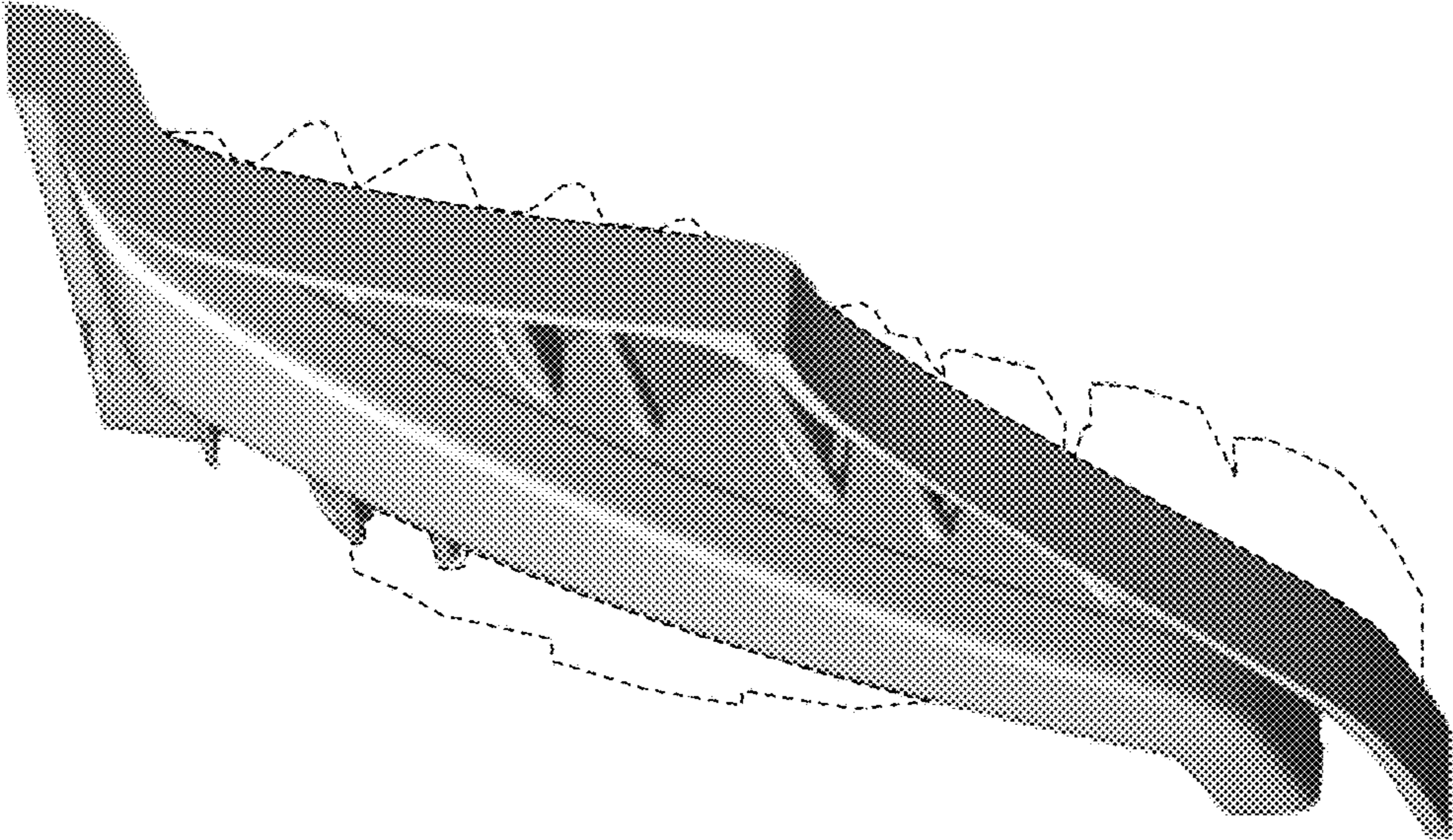


FIG. 5

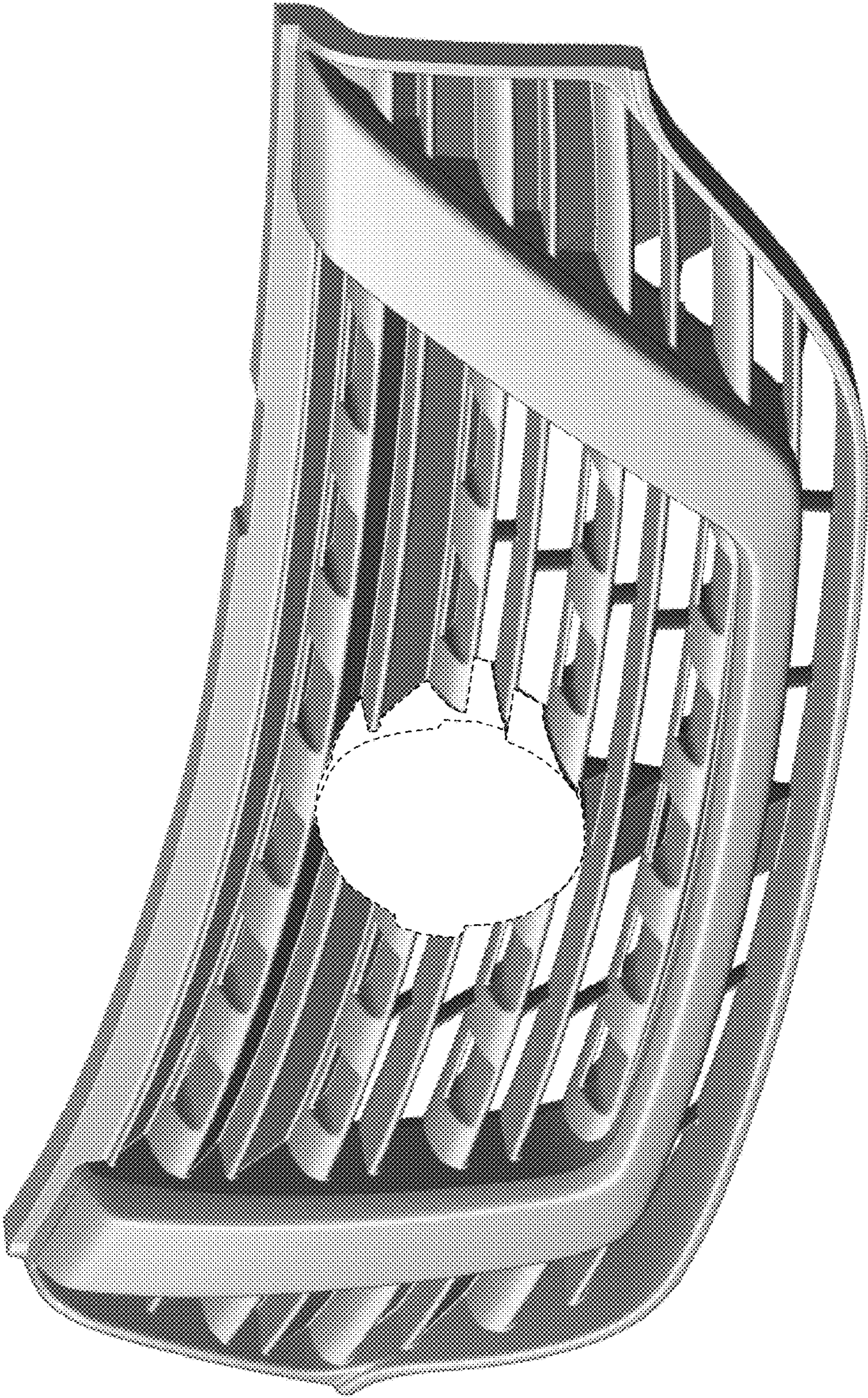


FIG. 6

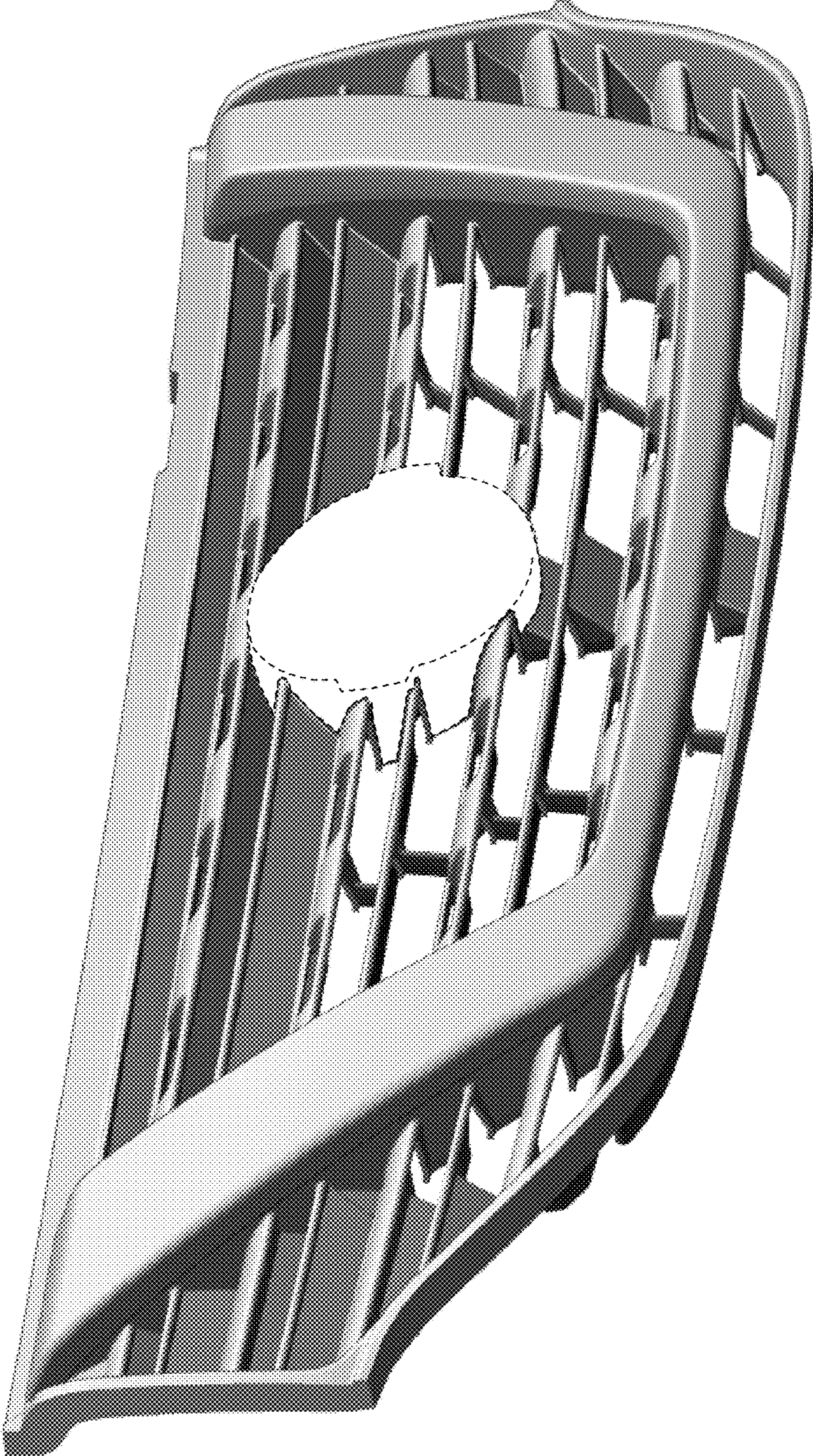


FIG. 7

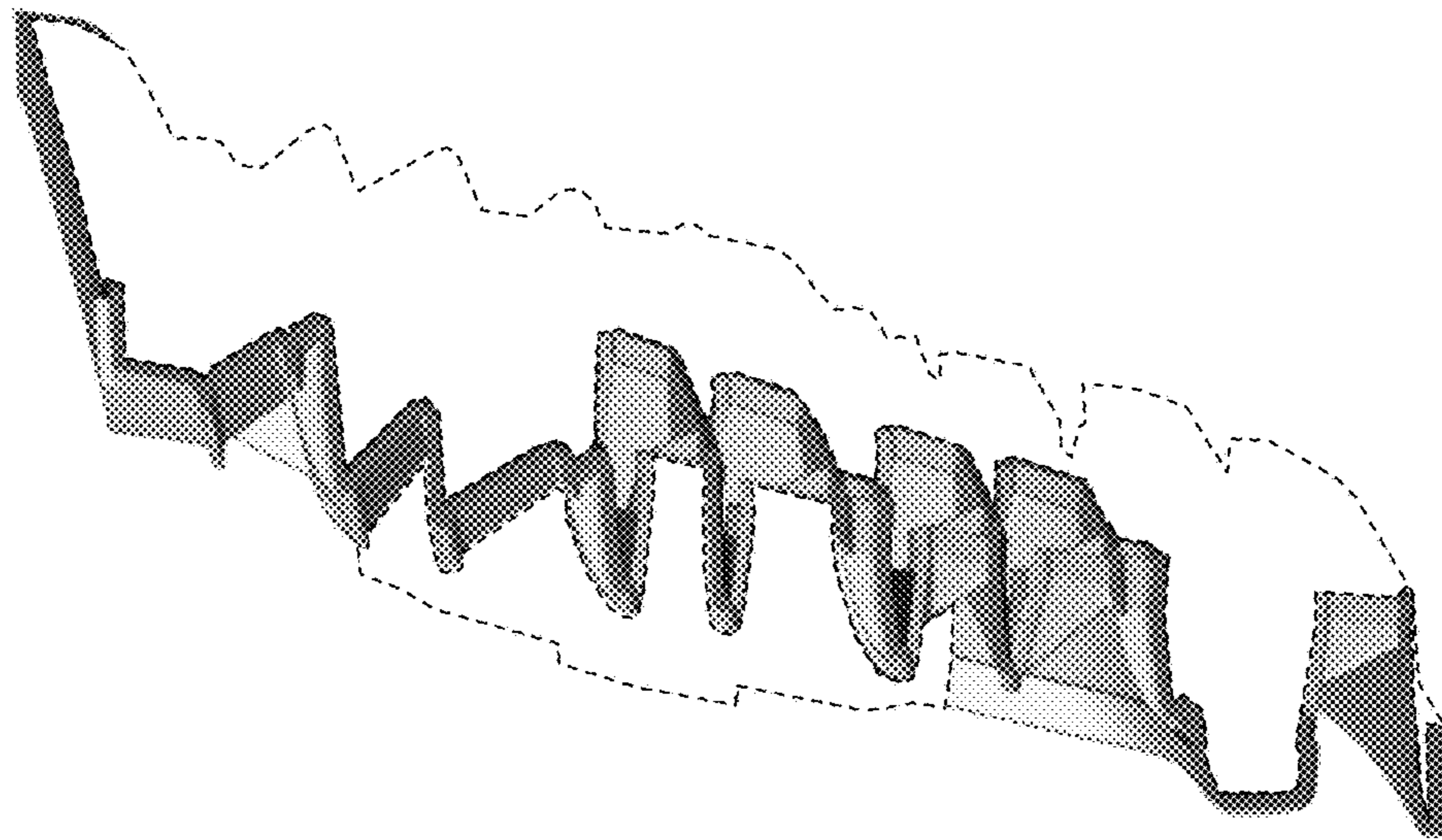


FIG. 8