



US00D819503S

(12) **United States Design Patent**
Huang

(10) **Patent No.:** **US D819,503 S**
(45) **Date of Patent:** **** Jun. 5, 2018**

- (54) **SUSPENSION WHEELCHAIR**
- (71) Applicants: **TAIWAN AN I CO., LTD.**, Chia-yi Shiann (TW); **A & I INDUSTRIES LTD SHUNDE FOSHAN**, Guangdong (CN)
- (72) Inventor: **Chung-Fa Huang**, Chia-yi Shiann (TW)
- (73) Assignees: **TAIWAN AN I CO., LTD.**, Chia-Yi Shiann (TW); **A & I INDUSTRIES LTD SHUNDE FOSHAN**, Guangdong (CN)

D699,634 S *	2/2014	Wu	D12/130
D721,620 S *	1/2015	Huang	D12/130
8,998,223 B2 *	4/2015	Chang	F16D 59/02 188/20
D754,568 S *	4/2016	Wang	D12/130
D766,139 S *	9/2016	Chen	D12/130
D789,255 S *	6/2017	Delatorre	D12/130
D798,778 S *	10/2017	Lin	D12/130
D801,231 S *	10/2017	Wang	D12/130
D807,793 S *	1/2018	Paterson	D12/130

* cited by examiner

Primary Examiner — Charles D Hanson
(74) *Attorney, Agent, or Firm* — WPAT, PC

(**) Term: **15 Years**

(21) Appl. No.: **29/609,907**

(22) Filed: **Jul. 6, 2017**

(51) **LOC (11) Cl.** **12-12**

(52) **U.S. Cl.**
USPC **D12/130**

(58) **Field of Classification Search**
USPC D12/128–133
CPC A61H 3/00; A61H 3/04; A61H
2003/001–2003/007; A61H 2003/043;
A61H 2003/046
See application file for complete search history.

(56) **References Cited**

U.S. PATENT DOCUMENTS

D501,432 S *	2/2005	Møller	D12/130
D560,563 S *	1/2008	Fransson	D12/130

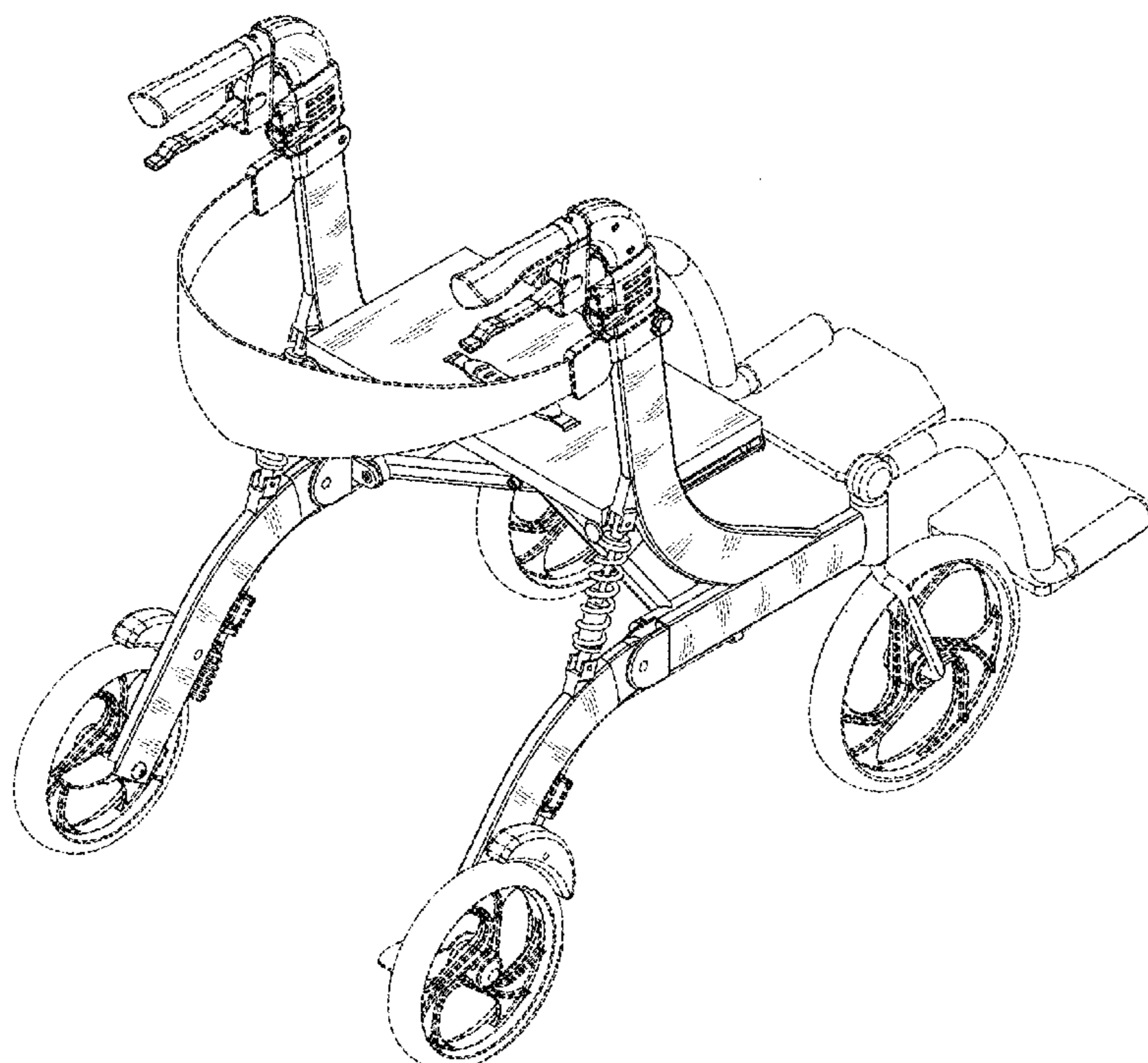
(57) **CLAIM**

The ornamental design for a suspension wheelchair, as shown and described.

DESCRIPTION

FIG. 1 is a perspective view of a suspension wheelchair showing my new design;
FIG. 2 is a front elevation view thereof;
FIG. 3 is a rear elevation view thereof;
FIG. 4 is a left side elevation view thereof;
FIG. 5 is a right side elevation view thereof;
FIG. 6 is a top plan view thereof; and,
FIG. 7 is a bottom plan view thereof.
The broken lines shown represent unclaimed subject matter and form no part of the claimed design. The surface shadings shown represent claimed subject matter and form the part of the claimed design.

1 Claim, 7 Drawing Sheets



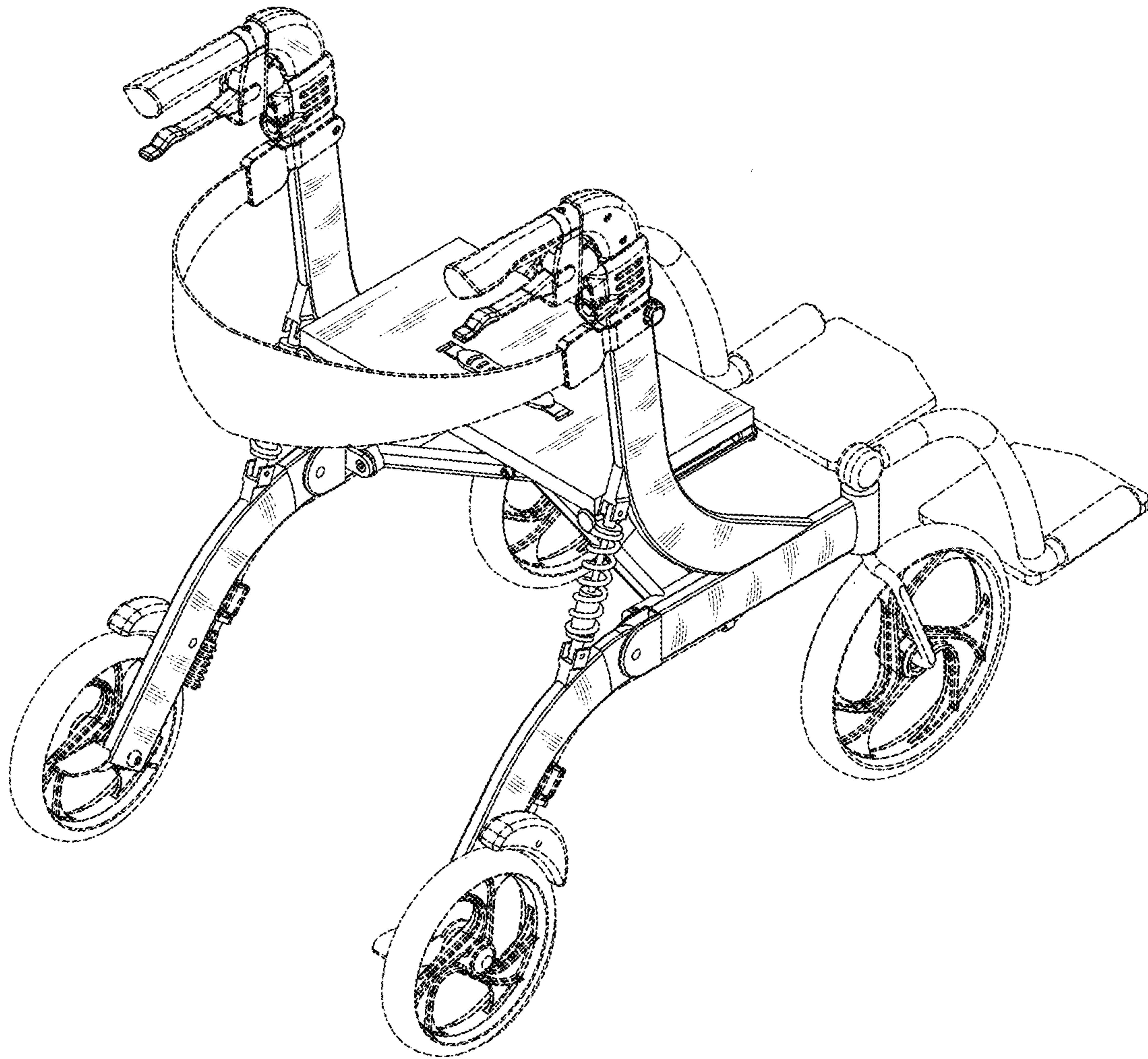


FIG. 1

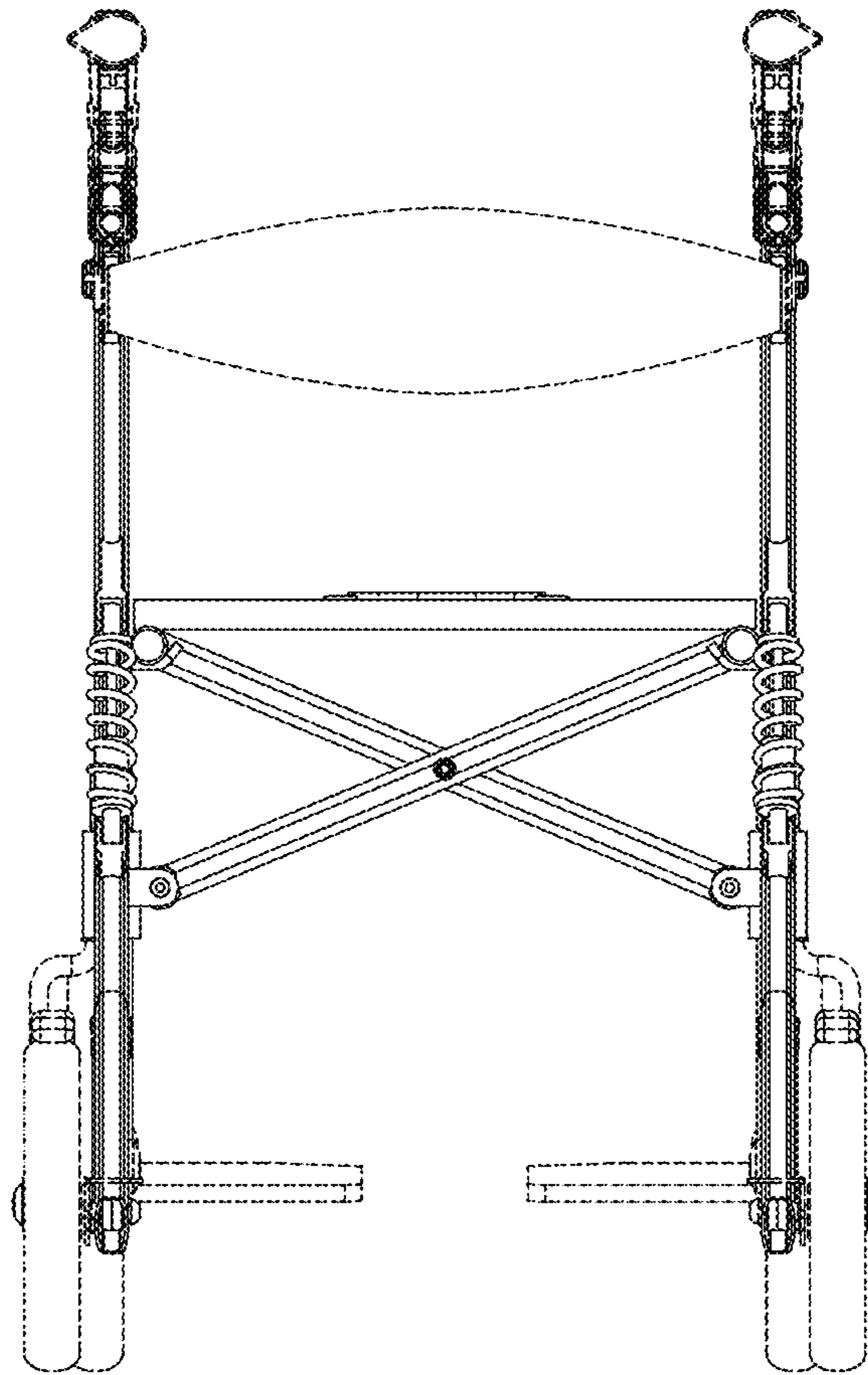


FIG. 2

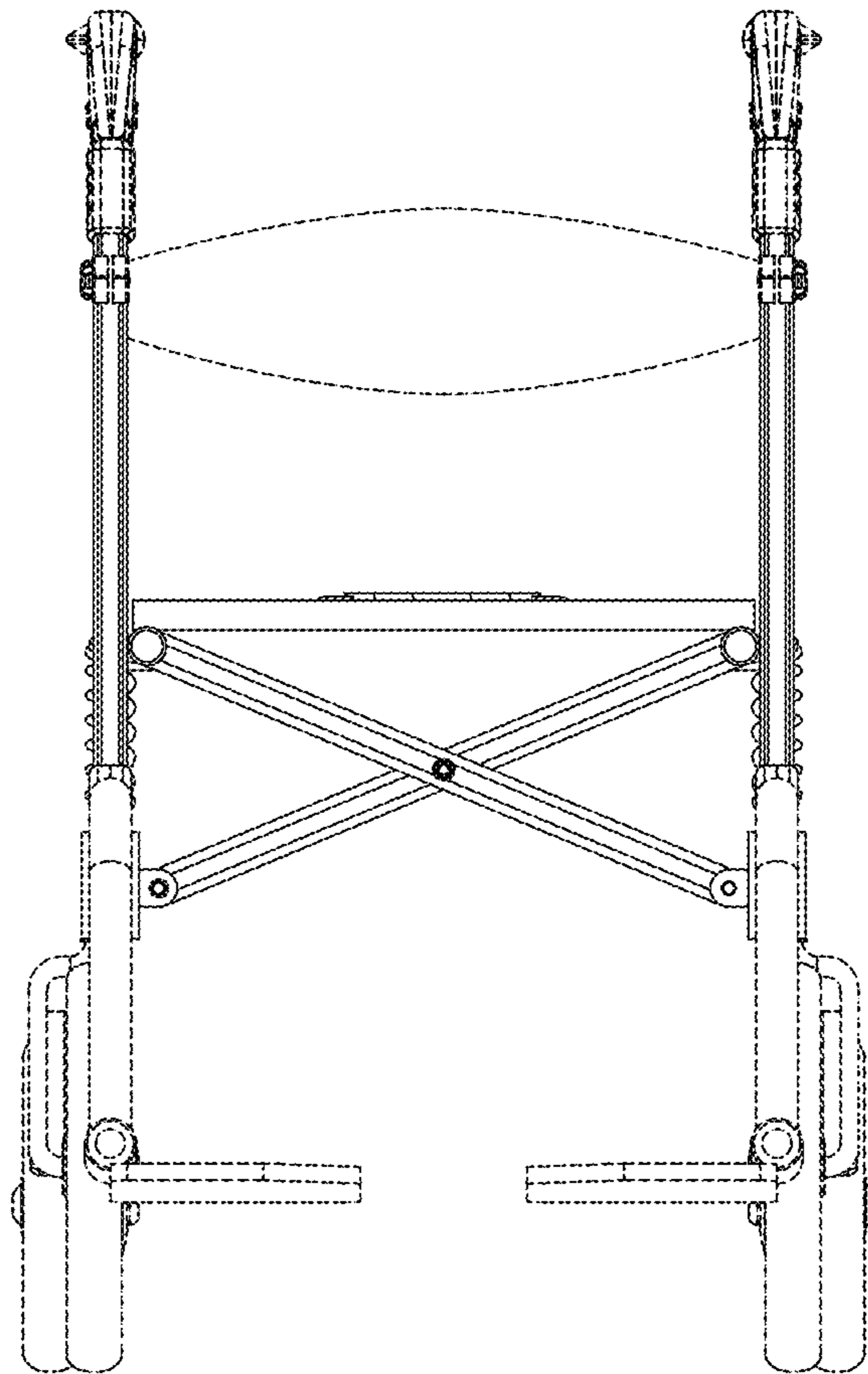


FIG. 3

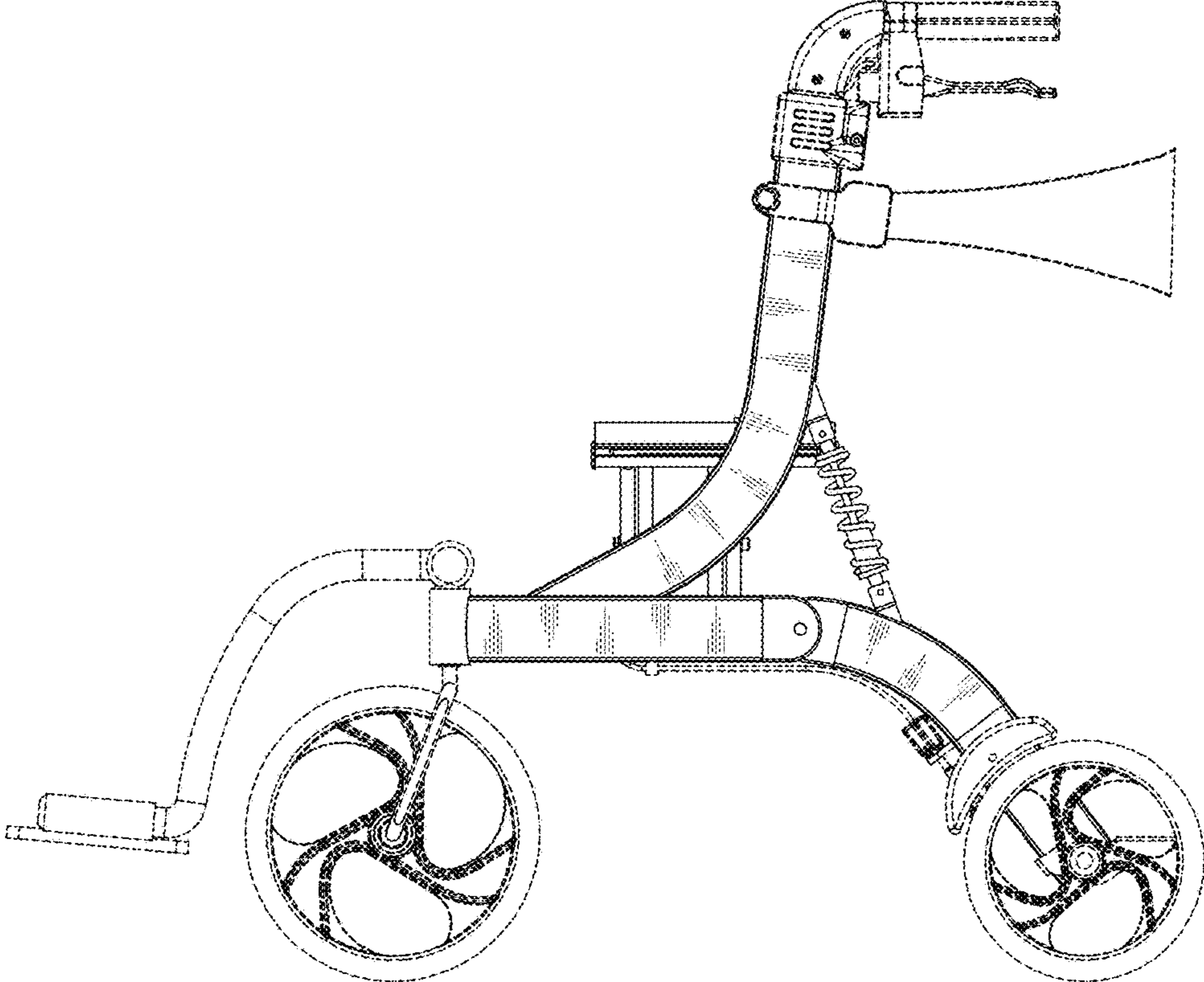


FIG. 4

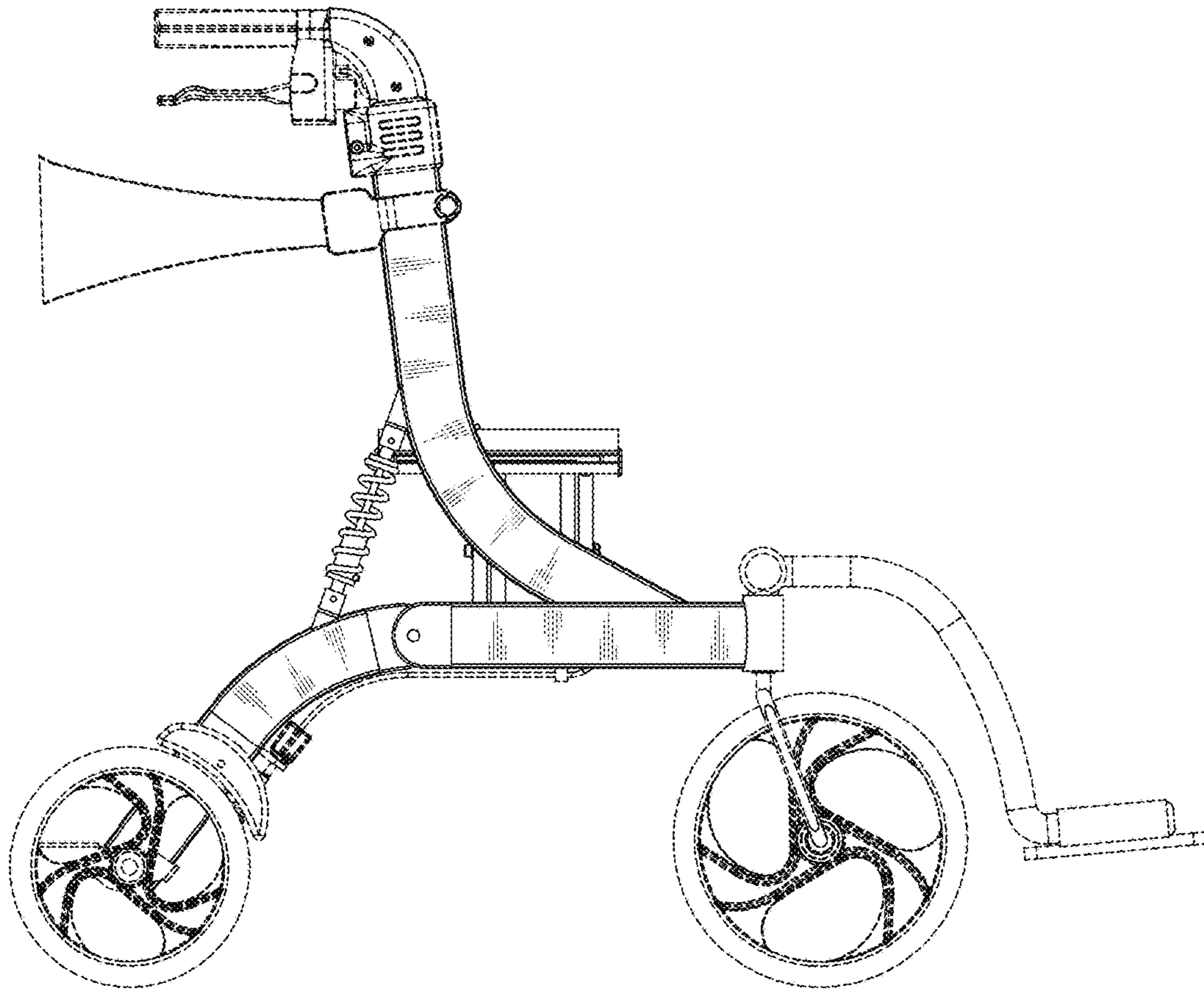


FIG. 5

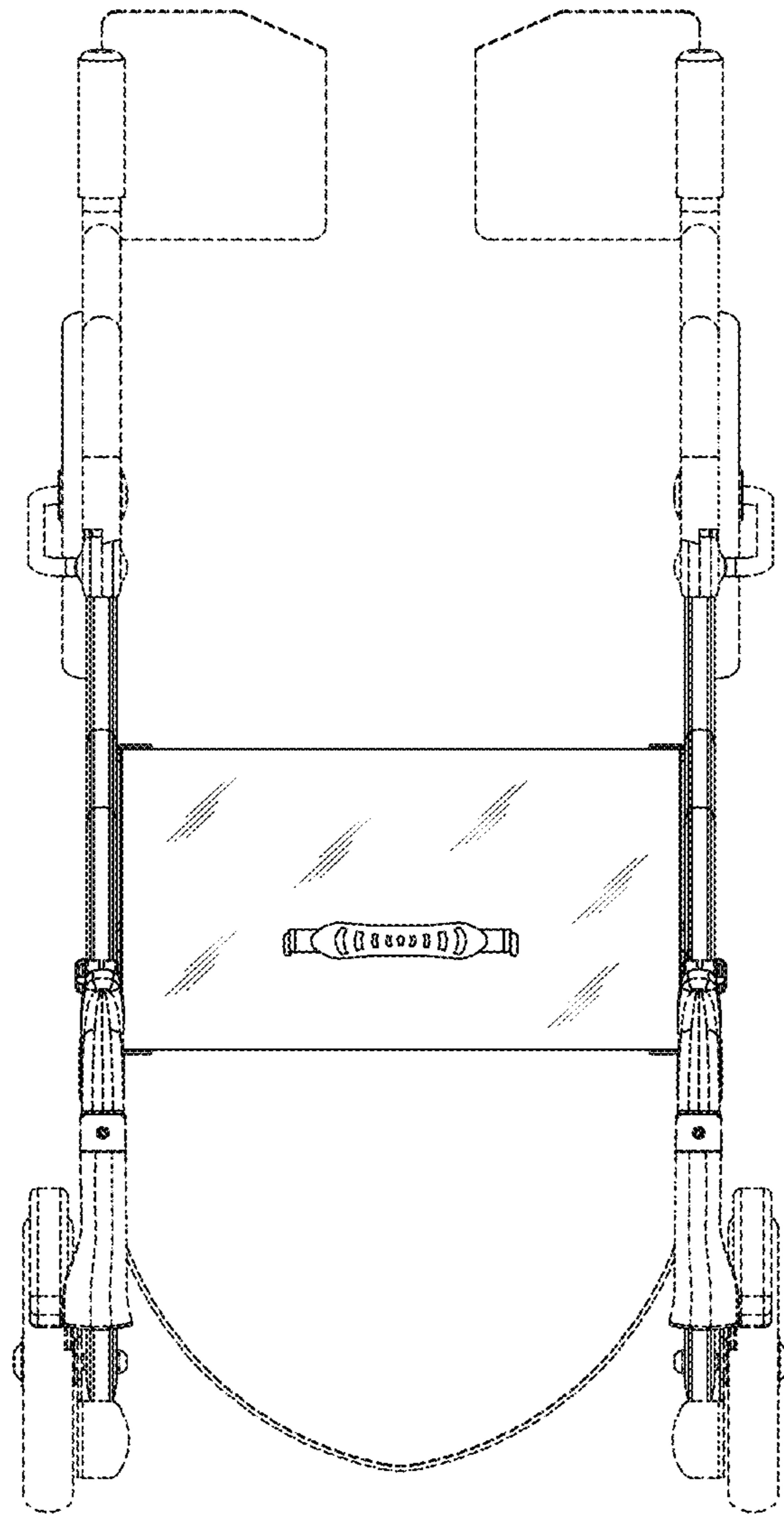


FIG. 6

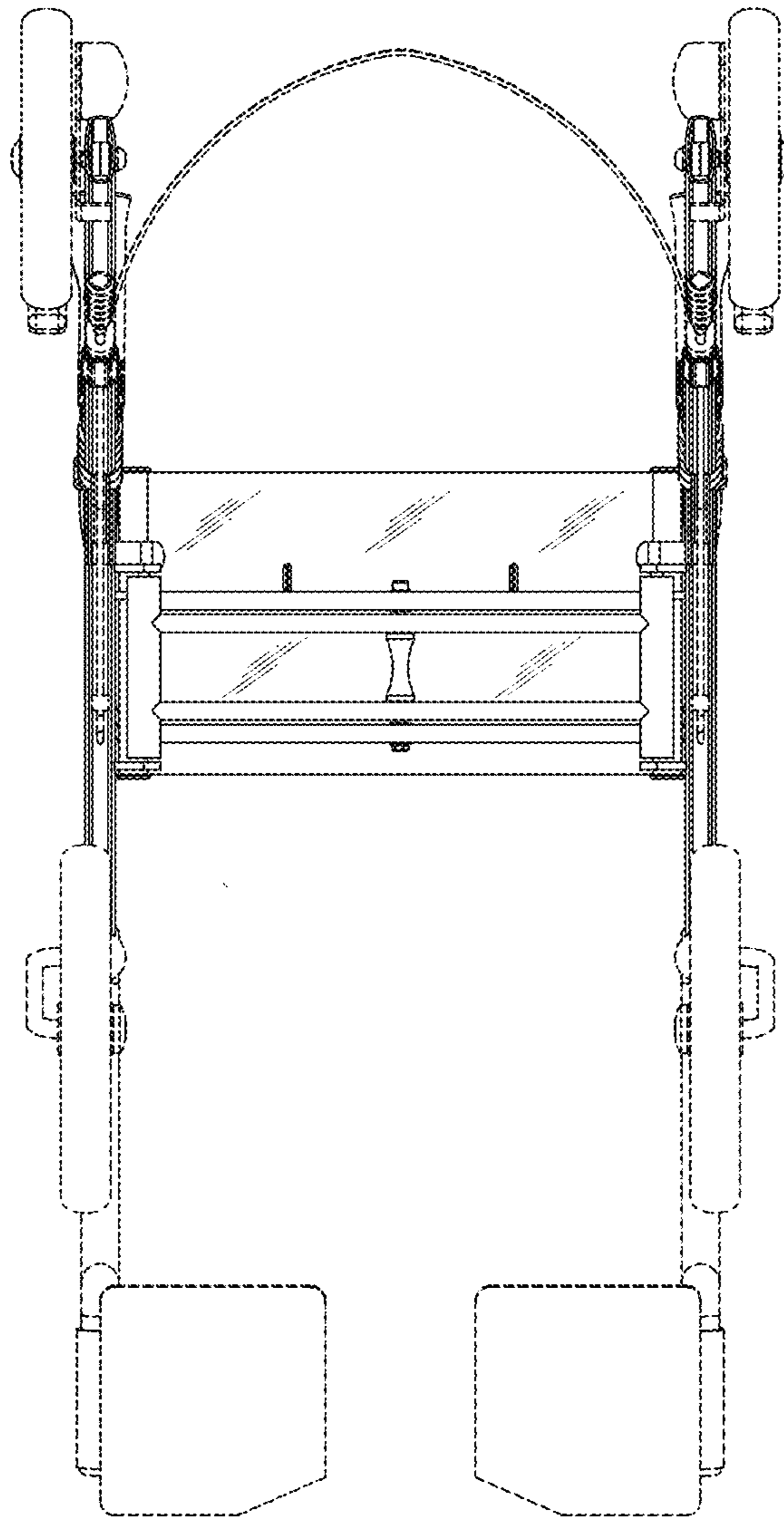


FIG. 7