



US00D819501S

(12) **United States Design Patent**  
**Tartarini**

(10) **Patent No.:** **US D819,501 S**  
(45) **Date of Patent:** **\*\* Jun. 5, 2018**

(54) **FRAME FOR MOTOR/ELECTRIC VEHICLE**

D527,314 S \* 8/2006 Czysz ..... D12/117  
D583,717 S \* 12/2008 Brown ..... D12/117  
D658,095 S \* 4/2012 Simon ..... D12/117  
D774,983 S \* 12/2016 Lam ..... D12/117

(71) Applicant: **WHITE SRO**, Košice (SK)

(72) Inventor: **Alessandro Tartarini**, Košice (SK)

(73) Assignee: **WHITE SRO** (SK)

(\*\*) Term: **15 Years**

(21) Appl. No.: **29/559,110**

(22) Filed: **Mar. 24, 2016**

(51) **LOC (11) Cl.** ..... **12-11**

(52) **U.S. Cl.**  
USPC ..... **D12/117; D12/111**

(58) **Field of Classification Search**  
USPC ..... D12/111, 114, 117  
CPC . B62K 3/00; B62K 3/005; B62K 9/00; B62K  
19/00; B62K 19/02; B62K 19/04; B62K  
19/06; B62K 19/16

See application file for complete search history.

(56) **References Cited**

**U.S. PATENT DOCUMENTS**

D129,568 S \* 9/1941 Kraeft ..... D12/117  
D340,433 S \* 10/1993 Baldwin ..... D12/117  
D345,325 S \* 3/1994 Camfield ..... D12/111  
D359,467 S \* 6/1995 Hsieh ..... D12/111  
D368,880 S \* 4/1996 Harrington ..... D12/111  
D376,775 S \* 12/1996 Fang ..... D12/114  
D383,421 S \* 9/1997 Stotsky ..... D12/111  
D407,669 S \* 4/1999 Fuchsle ..... D12/117  
D456,317 S \* 4/2002 Nakazawa ..... D12/117  
D496,886 S \* 10/2004 Everett ..... D12/117  
D504,847 S \* 5/2005 James ..... D12/117  
D521,419 S \* 5/2006 Mezzasalma ..... D12/117

**OTHER PUBLICATIONS**

Official Filing Receipt issued by CN State IP Office, Design Application No. 2015302739314, filed Jul. 27, 2015 by White SRO, entitled Seat for Motor Scooter, with English translation, 2 pages in total.

OHIM Certificate of Registration No. 002681718-0002, Registered Community Design, registered Apr. 15, 2015, to White SRO, 7 pages total.

\* cited by examiner

*Primary Examiner* — Darlington Ly

(74) *Attorney, Agent, or Firm* — Ware, Fressola, Maguire & Barber LLP

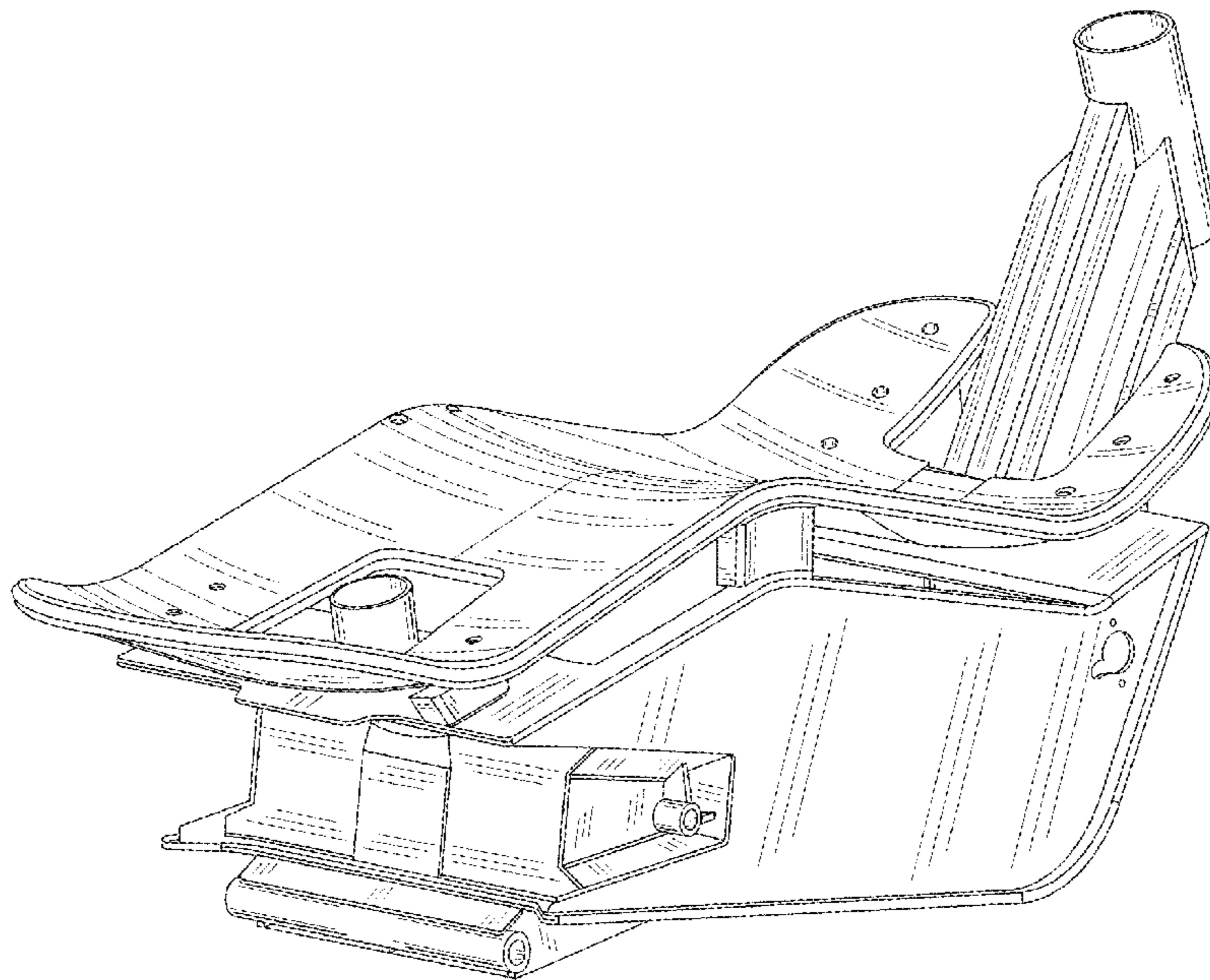
(57) **CLAIM**

I claim the ornamental design for a frame for motor/electric vehicle, as shown and described.

**DESCRIPTION**

FIG. 1 is a top, front, and right side perspective view of a frame for motor/electric vehicle showing my new design; FIG. 2 is a left side elevation view thereof; FIG. 3 is a right side elevation view thereof; FIG. 4 is a rear elevation view thereof; FIG. 5 is a front elevation view thereof; FIG. 6 is a top plan view thereof; and, FIG. 7 is a bottom plan view thereof.

**1 Claim, 4 Drawing Sheets**



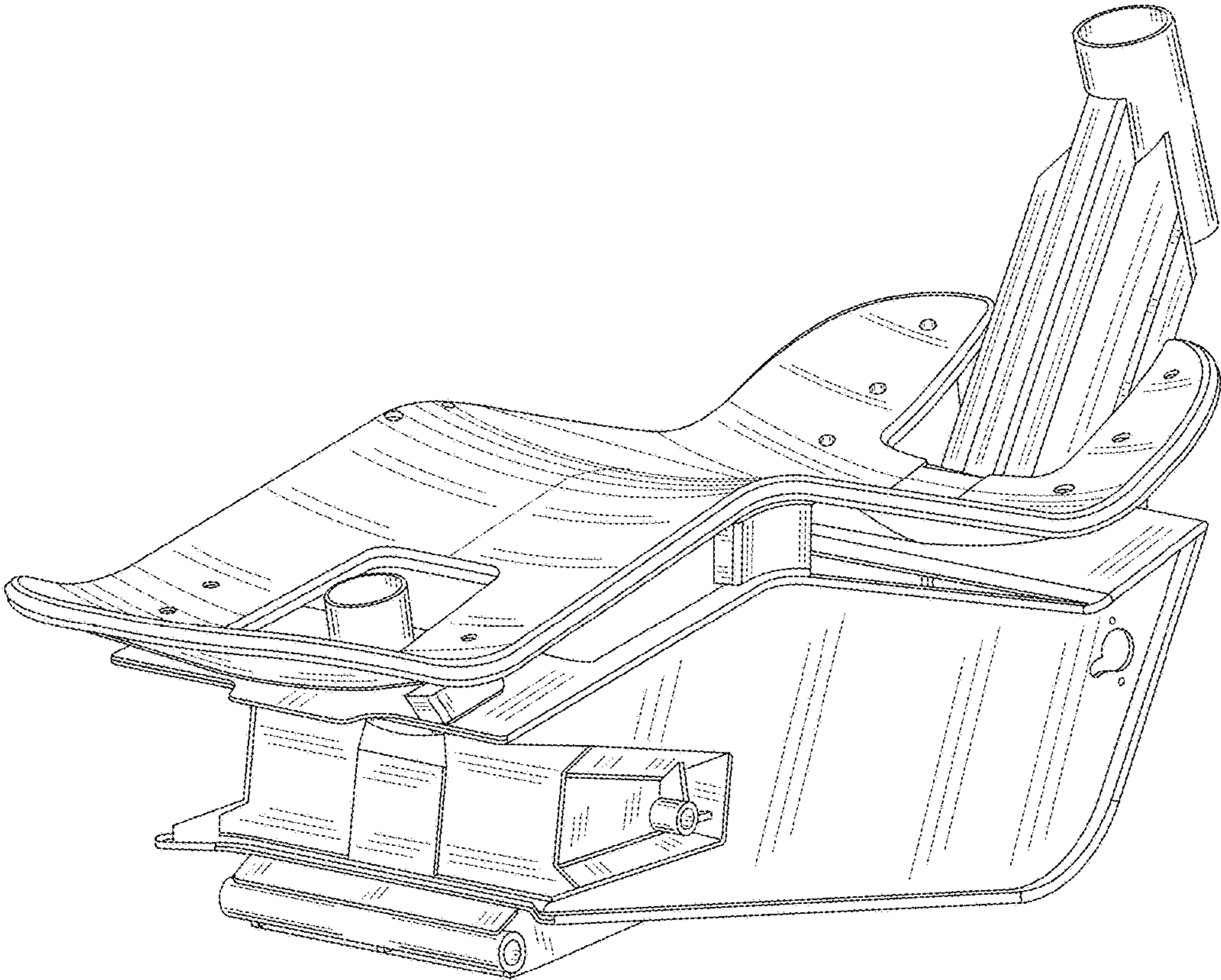


FIG. 1

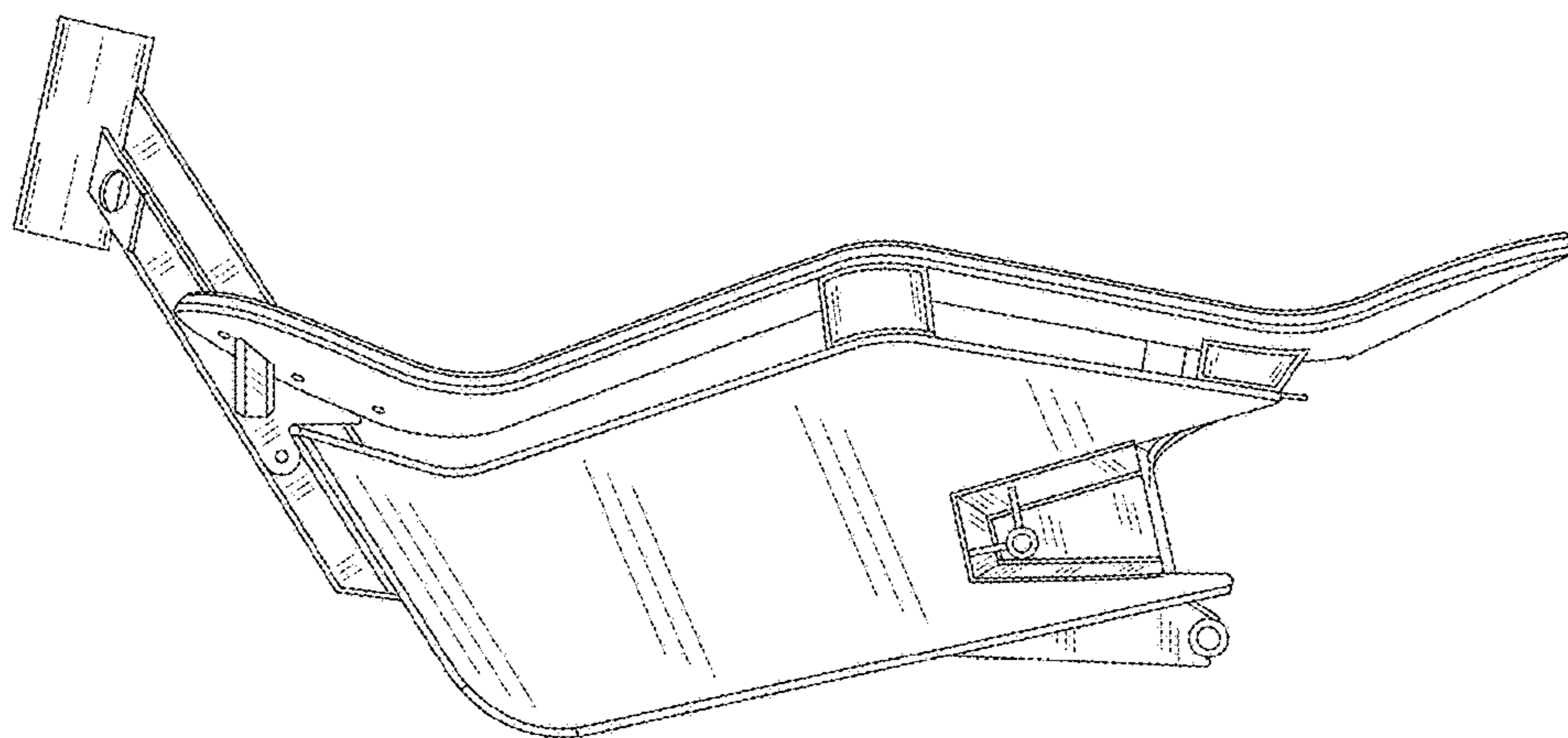


FIG. 2

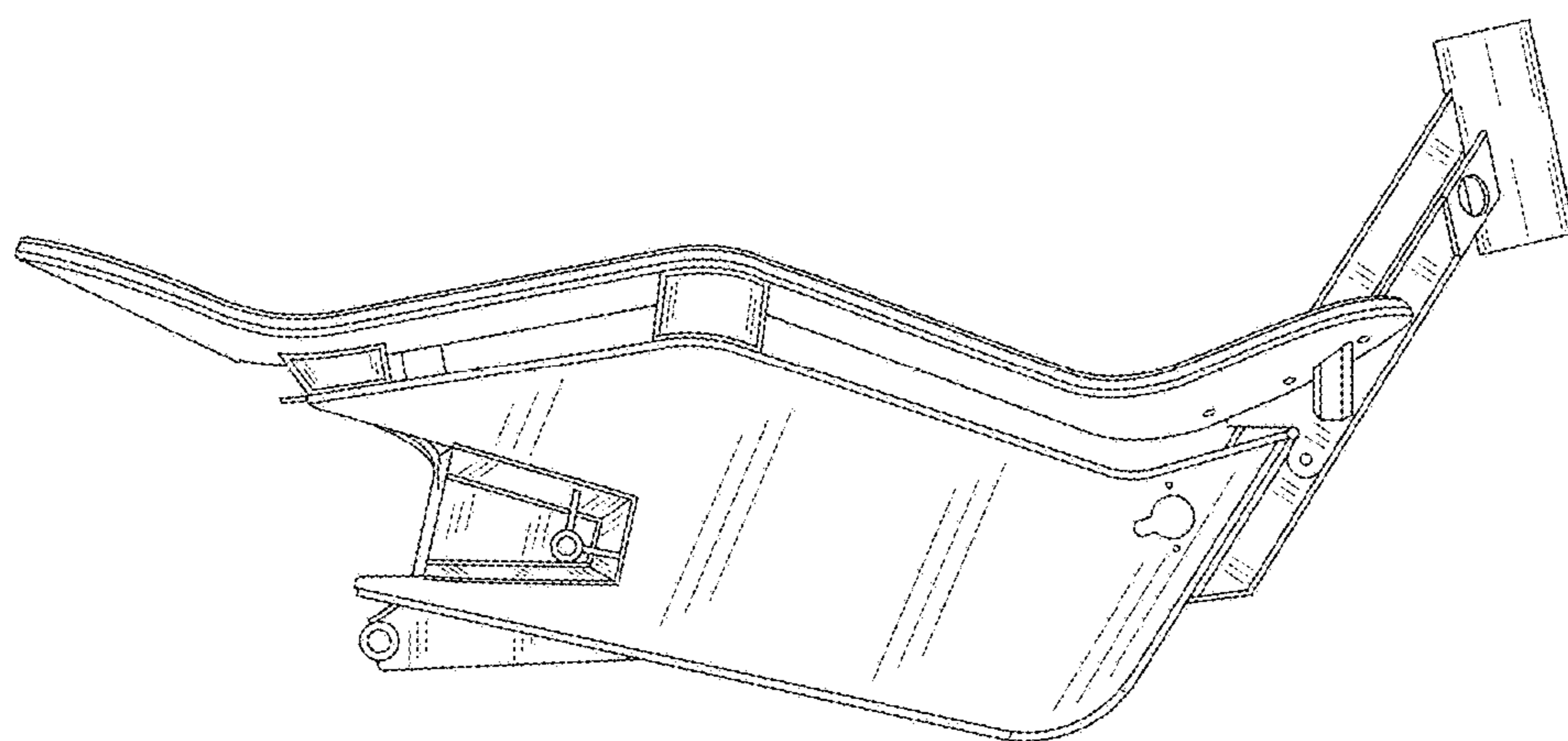


FIG. 3

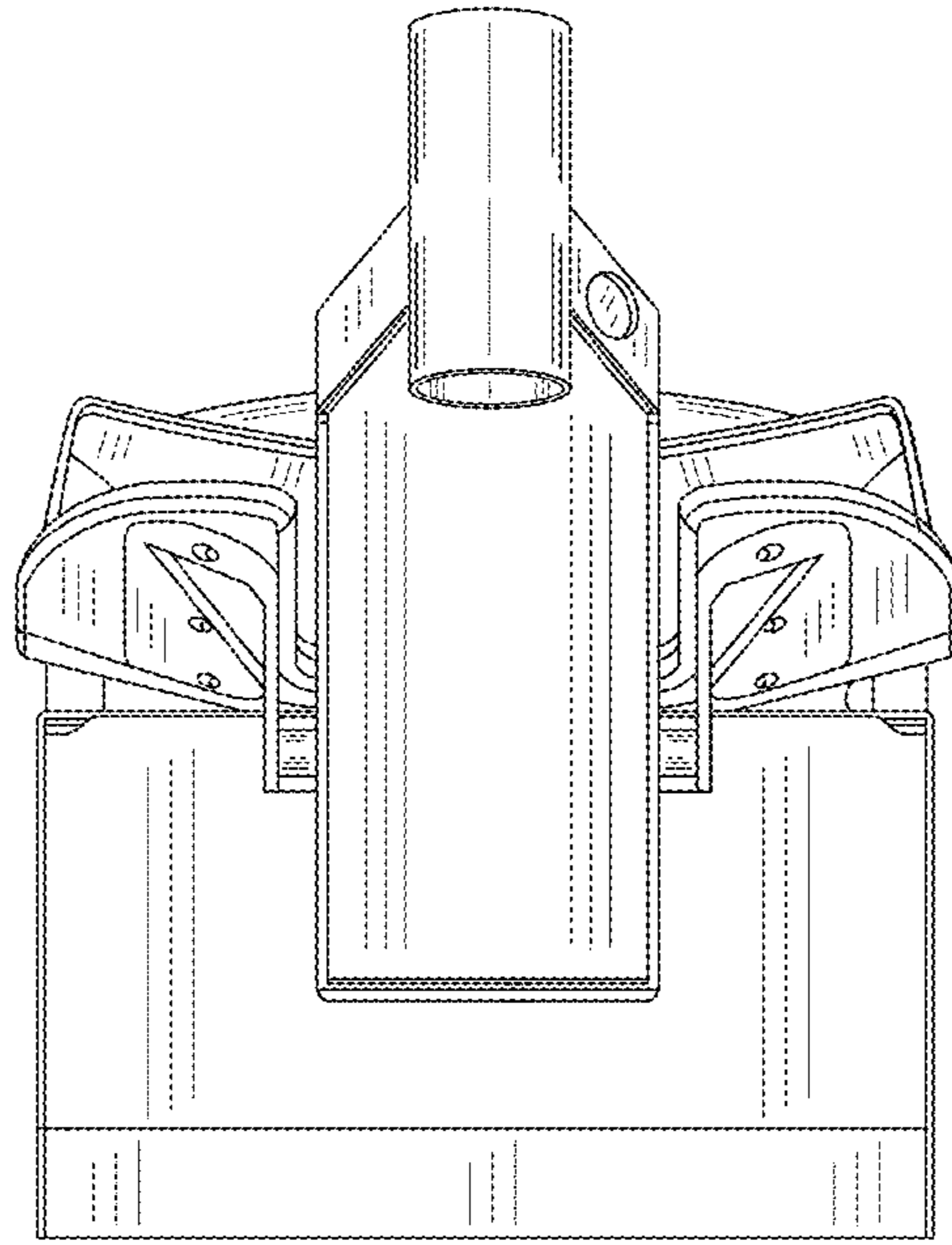


FIG. 4

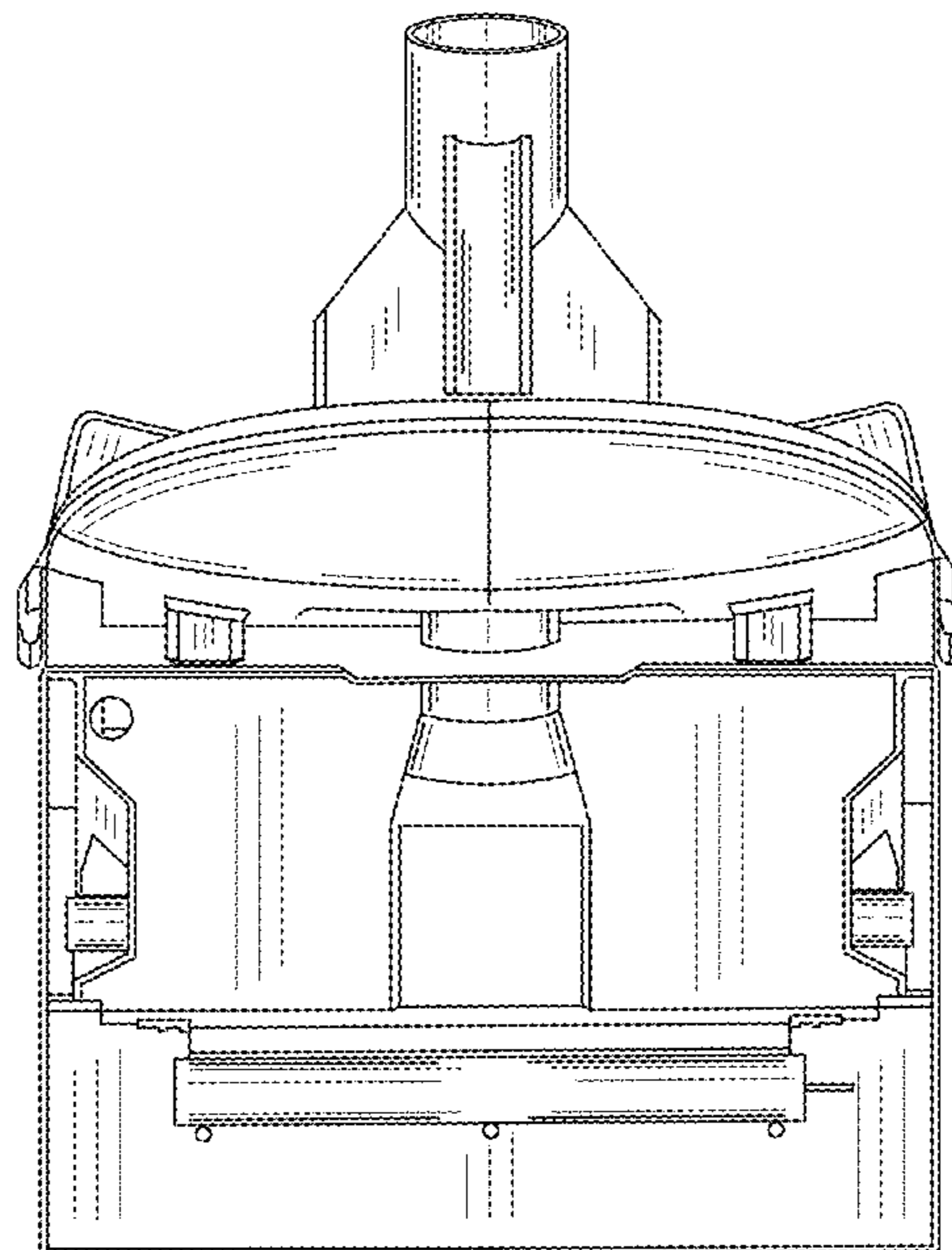


FIG. 5

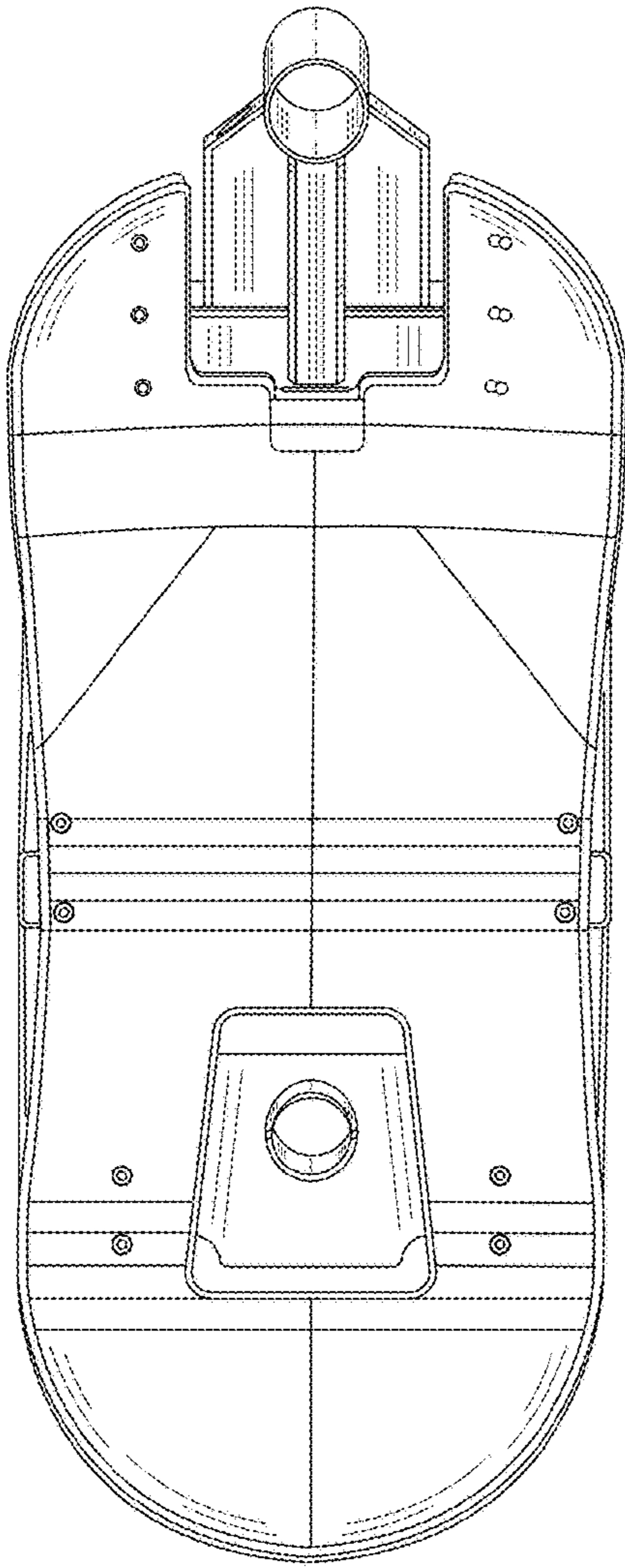


FIG. 6

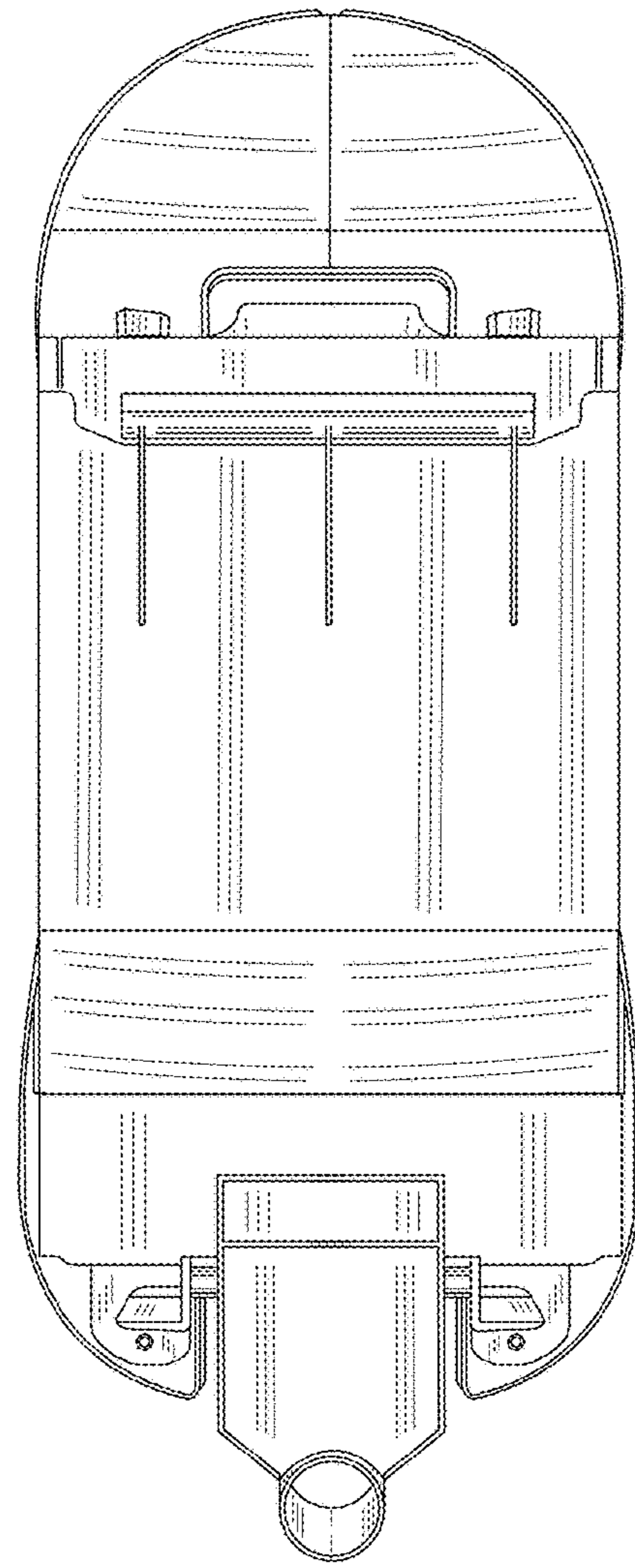


FIG. 7