



US00D819496S

(12) **United States Design Patent**  
**Bucher et al.**

(10) **Patent No.:** **US D819,496 S**  
(45) **Date of Patent:** **\*\* Jun. 5, 2018**

(54) **VEHICLE EXTERIOR**

(71) Applicant: **Ford Global Technologies, LLC**,  
Dearborn, MI (US)  
(72) Inventors: **George Bucher**, Dearborn, MI (US);  
**James Grake**, Beverly Hills, MI (US);  
**Soohyoung Kim**, Northville, MI (US)

(73) Assignee: **Ford Global Technologies, LLC**,  
Dearborn, MI (US)

(\*\*) Term: **15 Years**

(21) Appl. No.: **29/593,080**

(22) Filed: **Feb. 6, 2017**

(51) **LOC (11) Cl.** ..... **12-08**

(52) **U.S. Cl.**  
USPC ..... **D12/91**

(58) **Field of Classification Search**  
USPC ..... D12/86, 90-92, 88; D21/421, 433, 434;  
296/181.1, 181.5  
CPC ..... B62D 35/00; B62D 25/00; B62D 25/06;  
B62D 33/00  
See application file for complete search history.

(56) **References Cited**

**U.S. PATENT DOCUMENTS**

D725,550 S \* 3/2015 Wolff ..... D12/91  
D727,210 S 4/2015 Grake et al.

D728,424 S \* 5/2015 Rugar ..... D12/91  
D728,426 S \* 5/2015 Di Buduo ..... D12/91  
D736,120 S \* 8/2015 Blanski ..... D12/91  
D741,224 S \* 10/2015 Rugar ..... D12/91  
D741,752 S \* 10/2015 Messale ..... D12/91  
D743,303 S \* 11/2015 Huang ..... D12/91  
D754,563 S \* 4/2016 Behmer ..... D12/91  
D791,645 S \* 7/2017 Henstridge ..... D12/91

\* cited by examiner

*Primary Examiner* — Melody N Brown

(74) *Attorney, Agent, or Firm* — James Dottavio

(57) **CLAIM**

The ornamental design for a vehicle exterior, as shown and described.

**DESCRIPTION**

FIG. 1 is a top, front and left side perspective view of a vehicle exterior showing my new design;  
FIG. 2 is a top, rear and left side perspective view thereof;  
FIG. 3 is a front elevational view thereof;  
FIG. 4 is a rear elevational view thereof;  
FIG. 5 is a right side elevational view thereof;  
FIG. 6 is a left side elevational view thereof; and,  
FIG. 7 is a top plan view thereof.

**1 Claim, 7 Drawing Sheets**







Figure 1



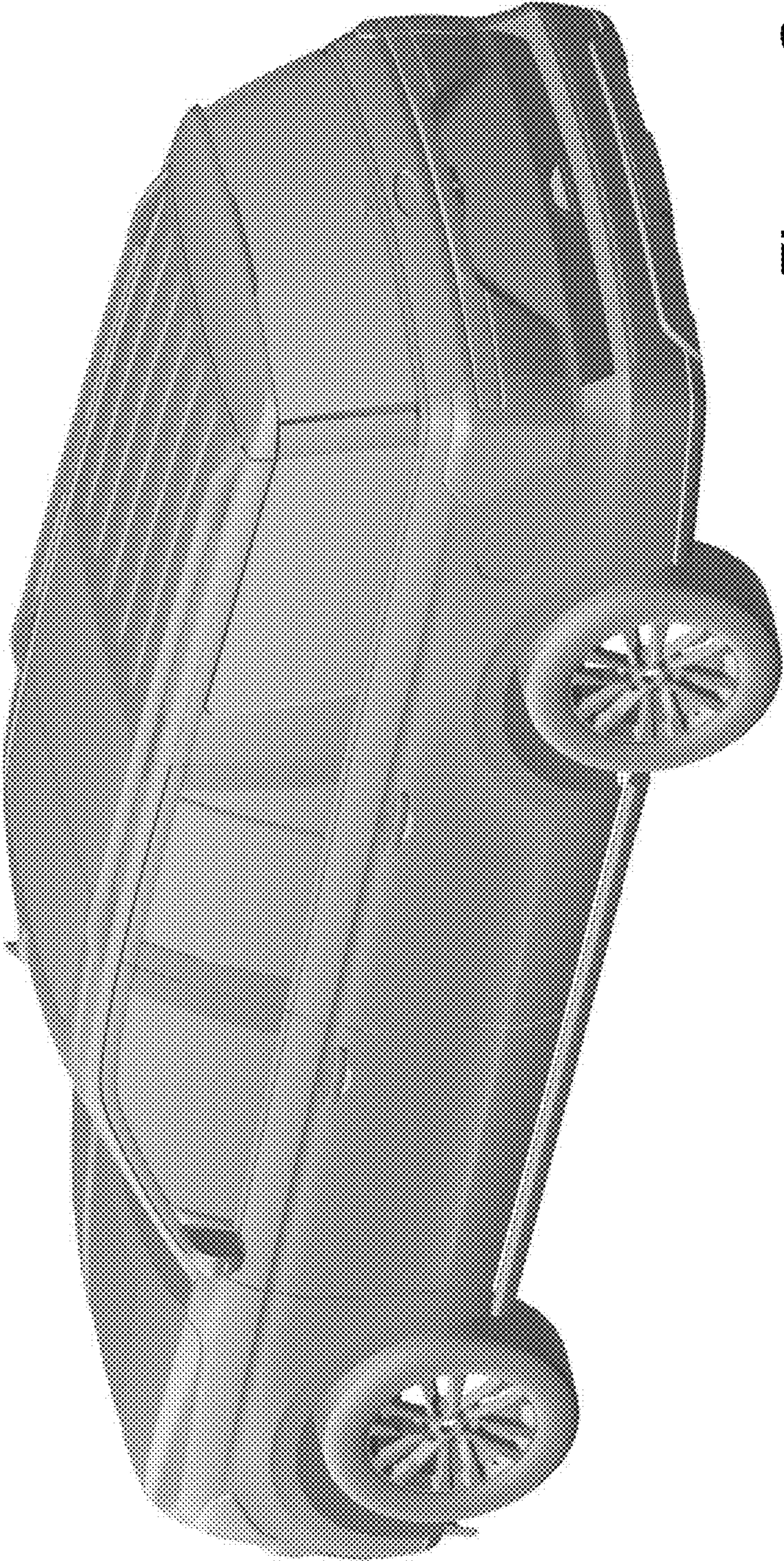


Figure 2



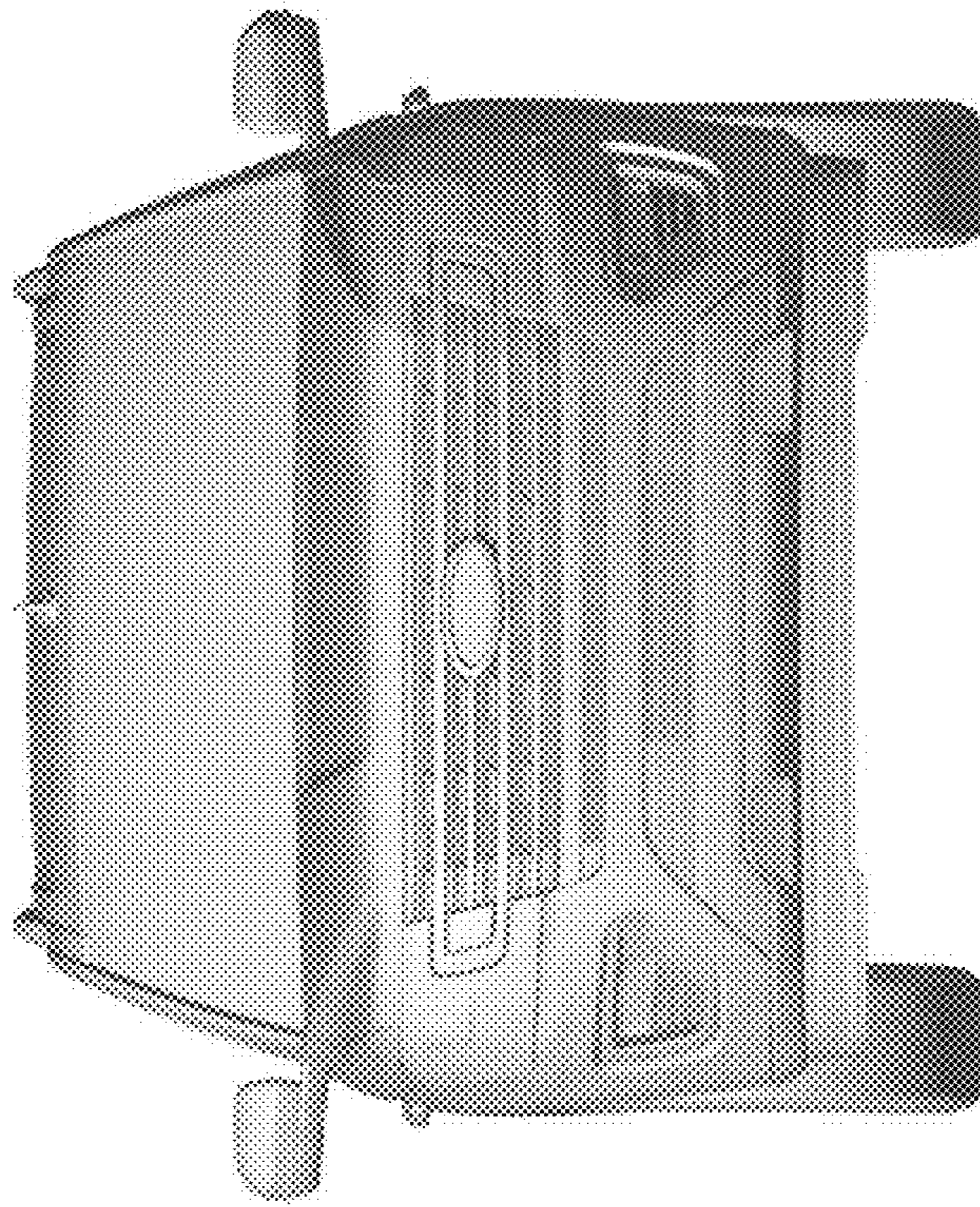


Figure 3

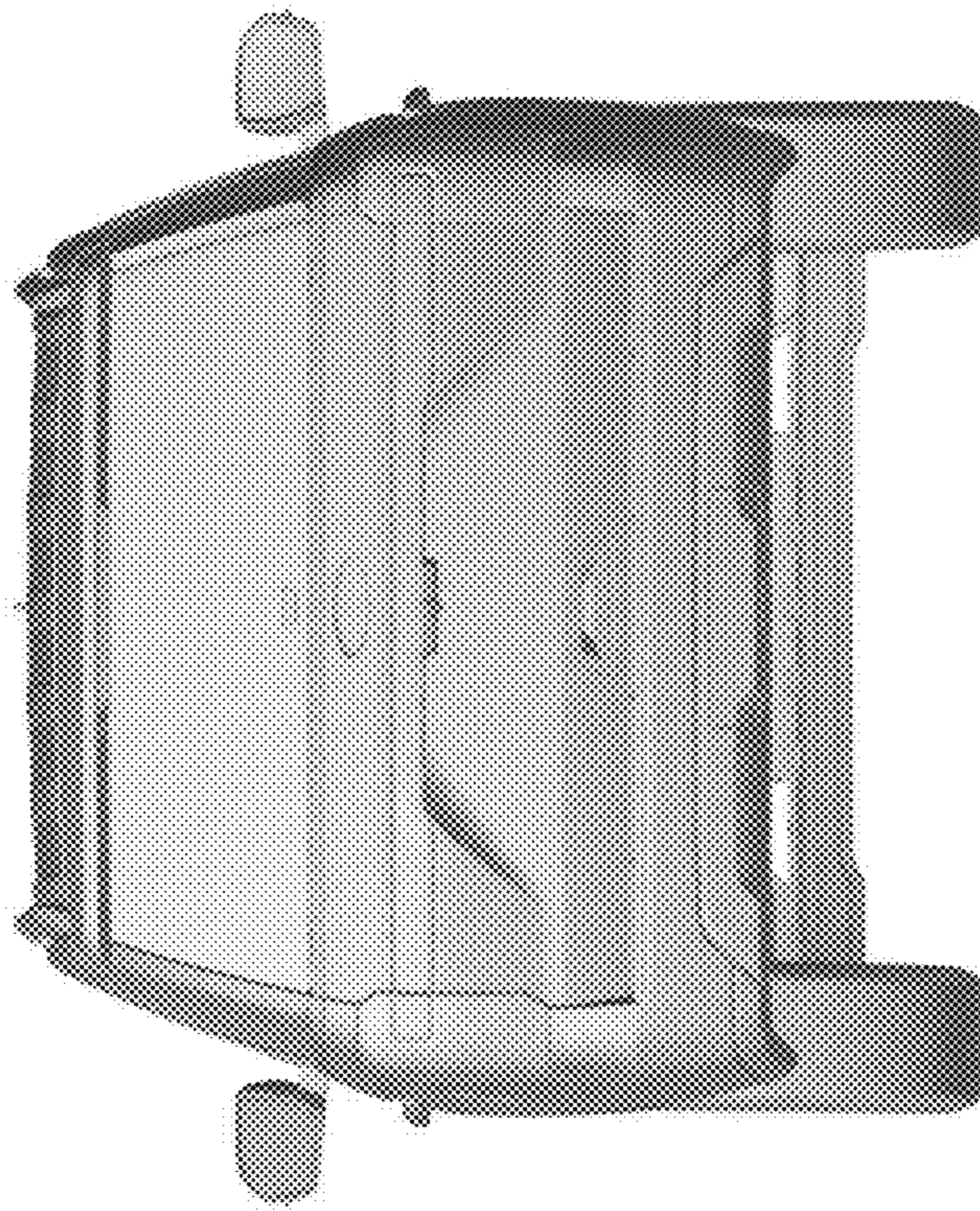


Figure 4



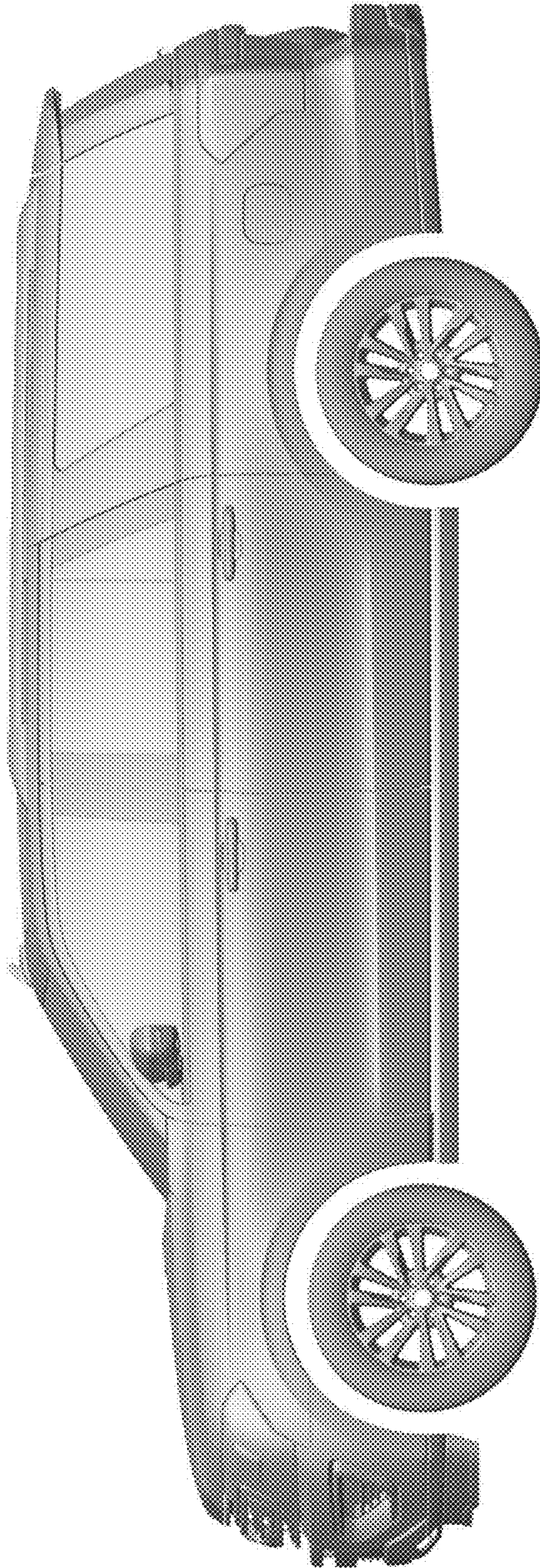


Figure 5



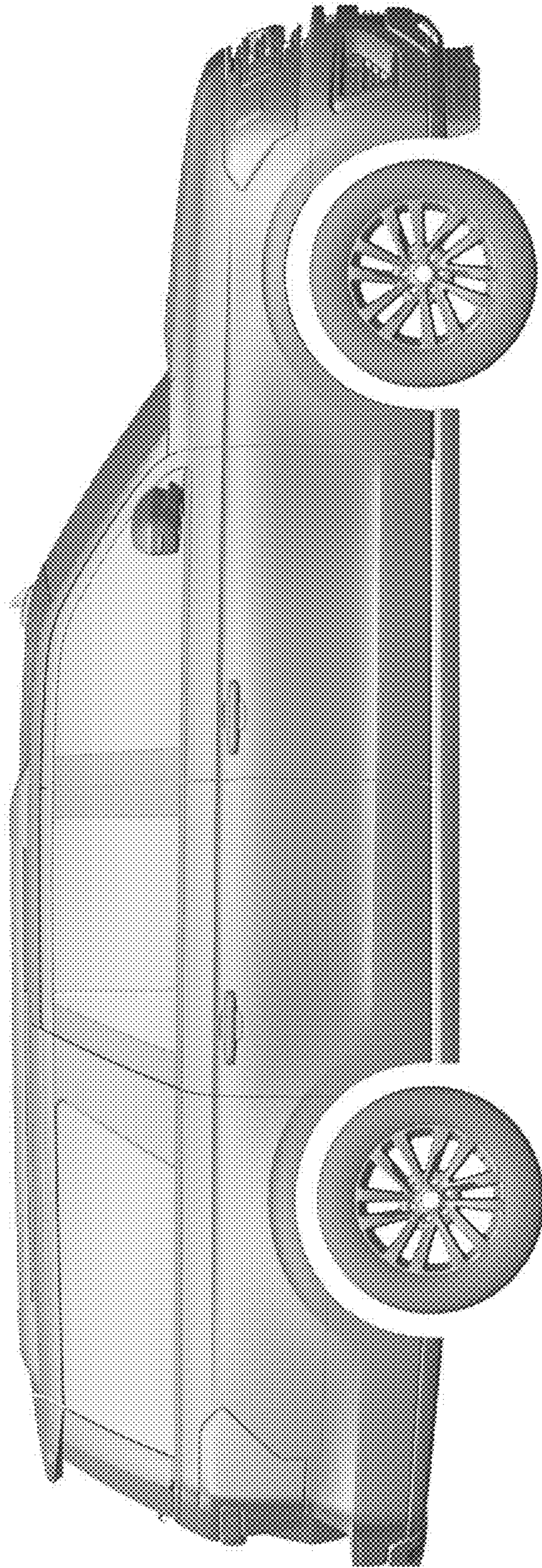


Figure 6





Figure 7