



US00D819495S

(12) **United States Design Patent**  
**Bucher et al.**

(10) **Patent No.:** **US D819,495 S**

(45) **Date of Patent:** **\*\* Jun. 5, 2018**

(54) **VEHICLE EXTERIOR**

(71) Applicant: **Ford Global Technologies, LLC,**  
Dearborn, MI (US)

(72) Inventors: **George Bucher,** Dearborn, MI (US);  
**James Grake,** Beverly Hills, MI (US);  
**Steven Gilmore,** Farmington Hills, MI  
(US); **Soohyoung Kim,** Northville, MI  
(US); **Henry Bernardo,** Southfield, MI  
(US)

(73) Assignee: **Ford Global Technologies, LLC,**  
Dearborn, MI (US)

(\*\*) Term: **15 Years**

(21) Appl. No.: **29/593,041**

(22) Filed: **Feb. 6, 2017**

(51) **LOC (11) Cl.** ..... **12-08**

(52) **U.S. Cl.**  
USPC ..... **D12/91**

(58) **Field of Classification Search**  
USPC ..... D12/86, 90-92, 88; D21/421, 433, 434;  
296/181.1, 181.5  
CPC ..... B62D 35/00; B62D 25/00; B62D 25/06;  
B62D 33/00  
See application file for complete search history.

(56) **References Cited**

**U.S. PATENT DOCUMENTS**

D725,550 S \* 3/2015 Wolff ..... D12/91  
D727,210 S 4/2015 Grake et al.

D728,424 S \* 5/2015 Rupar ..... D12/91  
D728,426 S \* 5/2015 Di Buduo ..... D12/91  
D736,120 S \* 8/2015 Blanski ..... D12/91  
D741,224 S \* 10/2015 Rupar ..... D12/91  
D741,752 S \* 10/2015 Messale ..... D12/91  
D743,303 S \* 11/2015 Huang ..... D12/91  
D754,563 S \* 4/2016 Behmer ..... D12/91  
D791,645 S \* 7/2017 Henstridge ..... D12/91

\* cited by examiner

*Primary Examiner* — Melody N Brown

(74) *Attorney, Agent, or Firm* — James Dottavio

(57) **CLAIM**

The ornamental design for a vehicle exterior, as shown and described.

**DESCRIPTION**

FIG. 1 is a top, front and left side perspective view of a vehicle exterior showing my new design; FIG. 2 is a top, rear and left side perspective view thereof; FIG. 3 is a front elevational view thereof; FIG. 4 is a rear elevational view thereof; FIG. 5 is a right side elevational view thereof; FIG. 6 is a left side elevational view thereof; and, FIG. 7 is a top plan view thereof.

**1 Claim, 7 Drawing Sheets**





Figure 1



Figure 2

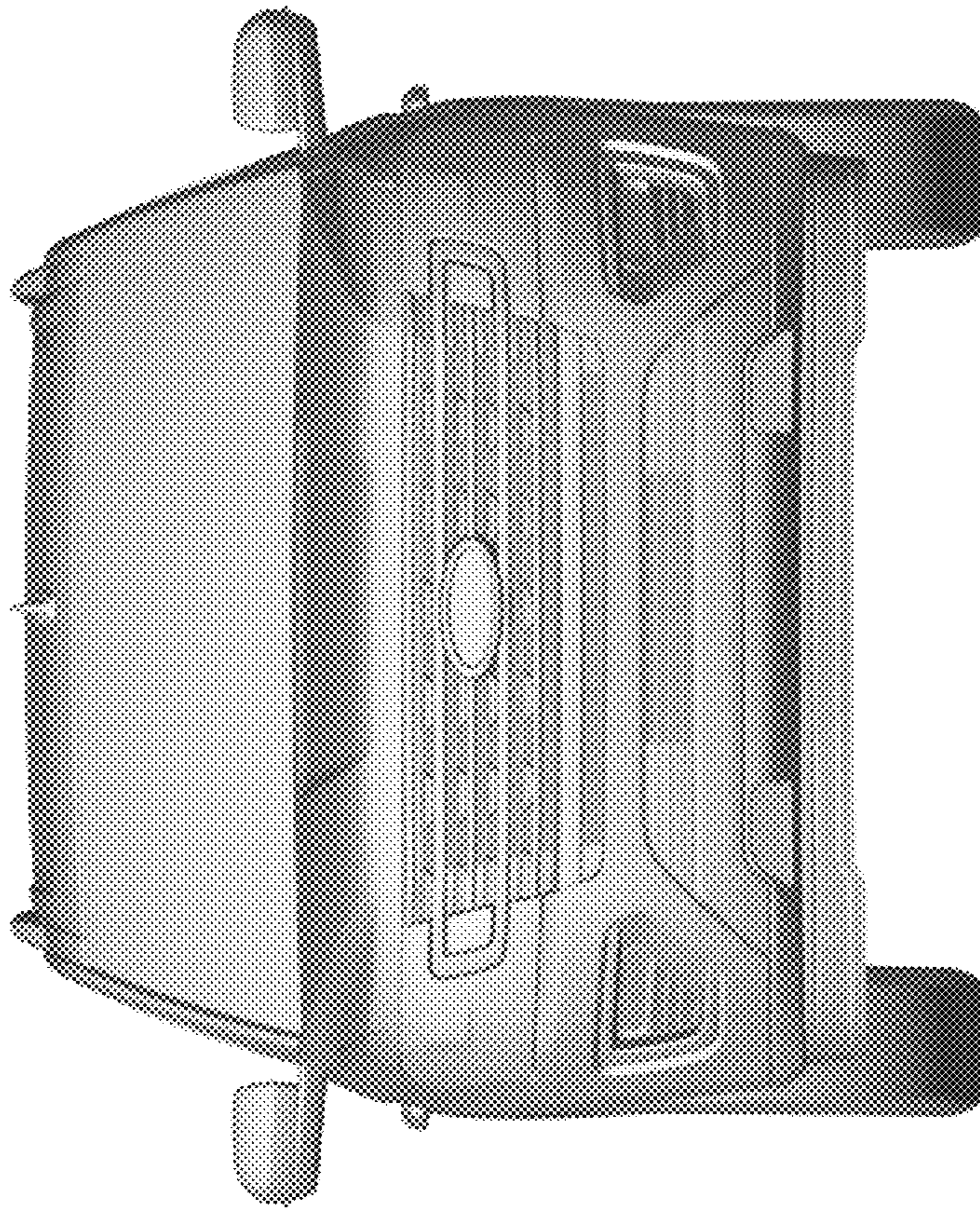


Figure 3

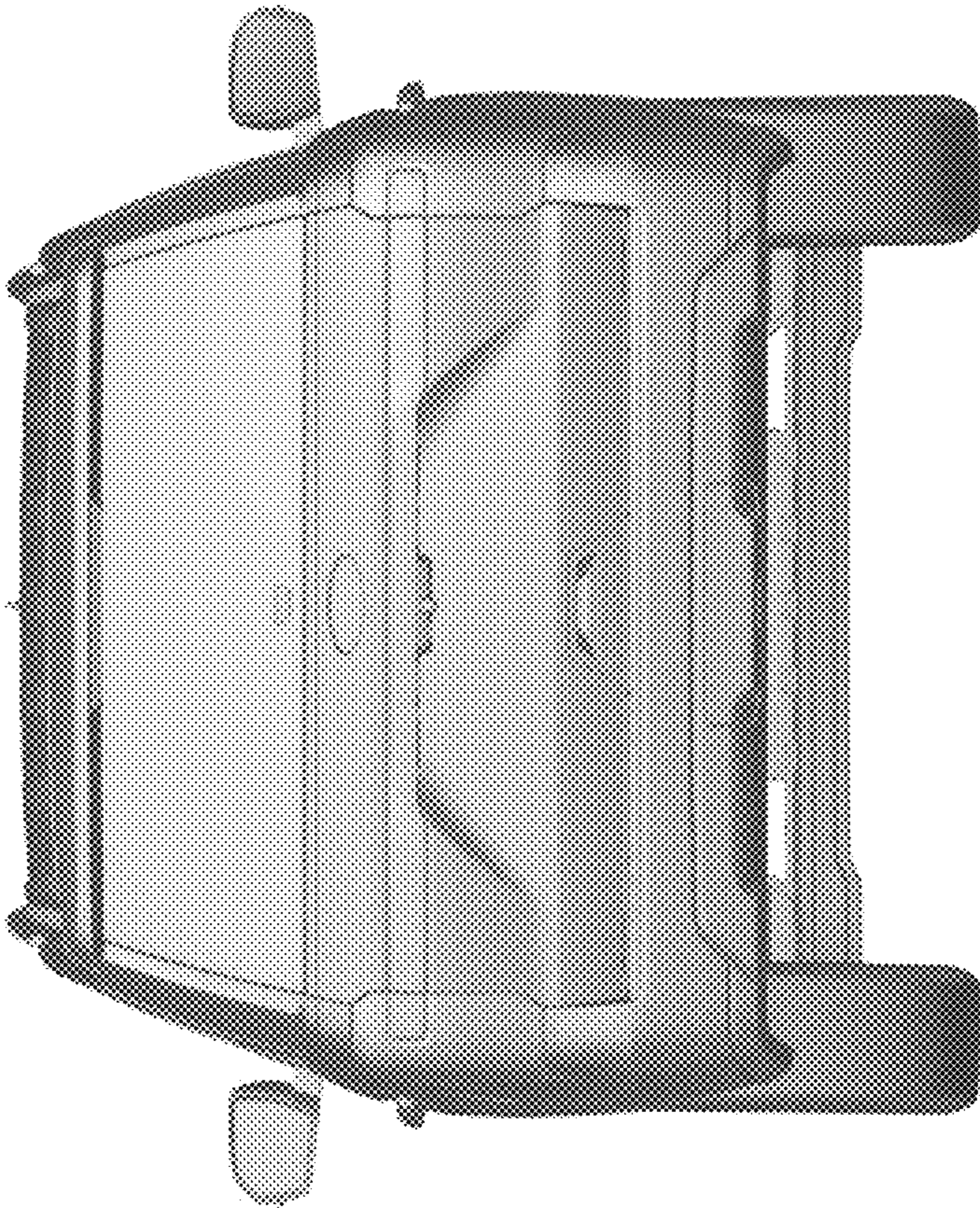


Figure 4



Figure 5



Figure 6



Figure 7