



US00D819494S

(12) **United States Design Patent**
Zhou et al.

(10) **Patent No.:** **US D819,494 S**
(45) **Date of Patent:** **** Jun. 5, 2018**

(54) **VEHICLE**

(71) Applicant: **Microvast Power Systems Co., Ltd.**,
Huzhou, Zhejiang Province (CN)
(72) Inventors: **Liang Zhou**, Huzhou (CN); **Zhiming Tong**,
Huzhou (CN); **Hongbin Shen**, Huzhou (CN); **Yusheng Chen**,
Huzhou (CN)
(73) Assignee: **MICROVAST POWER SYSTEMS CO., LTD.**,
Huzhou, Zhejiang Province (CN)

D697,834 S * 1/2014 Okue D12/91
D715,195 S * 10/2014 Tomatsu D12/92
D719,065 S * 12/2014 Sakae D12/92
D757,606 S * 5/2016 Matsuda D12/91
D761,696 S * 7/2016 Kamiura D12/92
D767,447 S * 9/2016 Fahr-Becker D12/91
D779,378 S * 2/2017 Kim D12/91

* cited by examiner

Primary Examiner — Melody N Brown

(74) *Attorney, Agent, or Firm* — Cheng-Ju Chiang

(**) Term: **15 Years**

(21) Appl. No.: **29/587,673**

(22) Filed: **Dec. 14, 2016**

(30) **Foreign Application Priority Data**

Apr. 28, 2016 (CN) 2016 3 0150371

(51) **LOC (11) Cl.** **12-08**

(52) **U.S. Cl.**
USPC **D12/91**

(58) **Field of Classification Search**
USPC D12/86, 90–92, 88; D21/421, 433, 434;
296/181.1, 181.5
CPC B62D 35/00; B62D 25/00; B62D 25/06;
B62D 33/00
See application file for complete search history.

(56) **References Cited**

U.S. PATENT DOCUMENTS

D680,906 S * 4/2013 Sugimoto D12/91
D689,795 S * 9/2013 Takei D12/91

(57) **CLAIM**

The ornamental design for a vehicle, as shown and described.

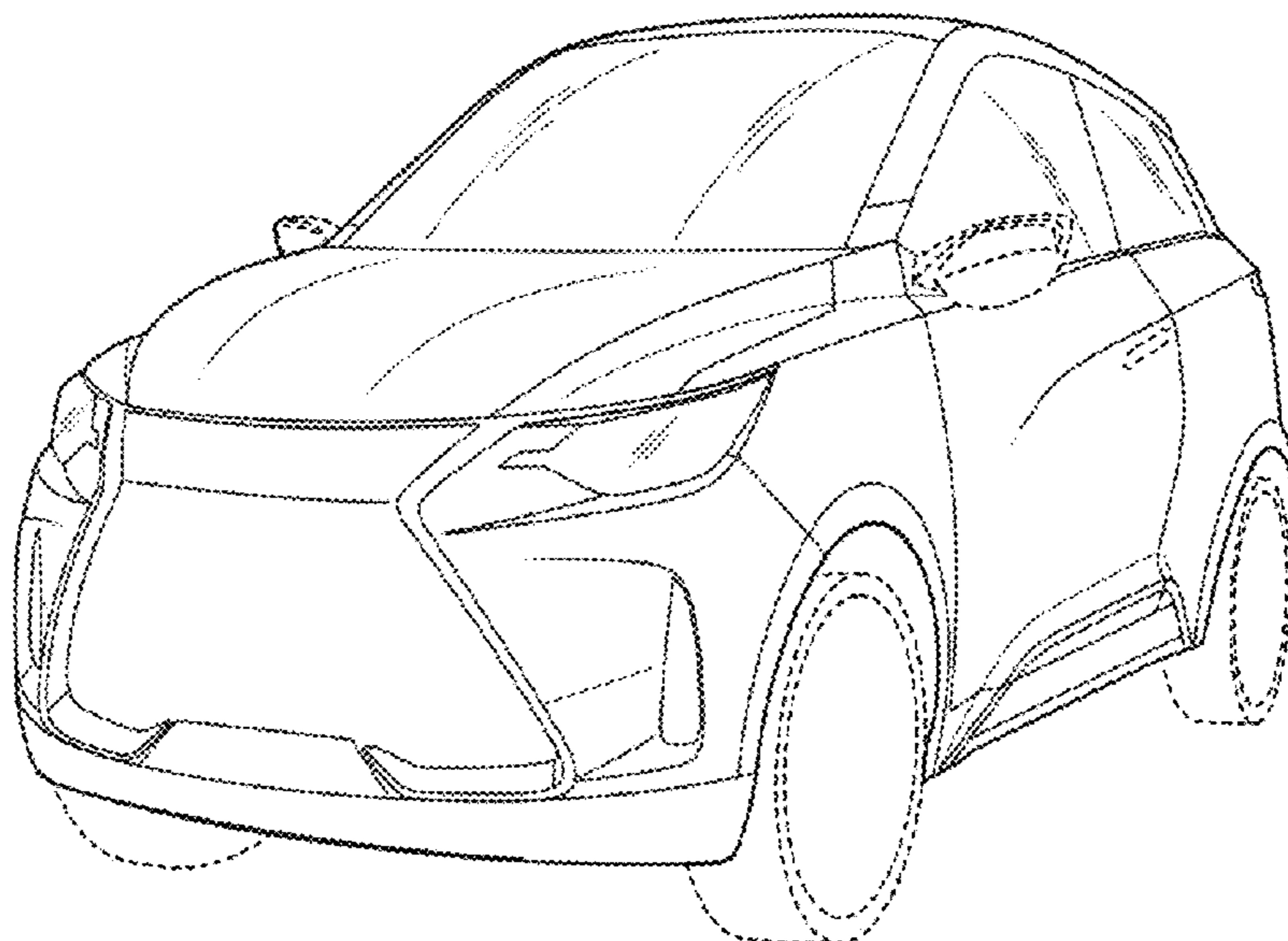
DESCRIPTION

FIG. 1 is a front, top and right side perspective view of a vehicle in accordance with our present invention;
FIG. 2 is a rear, top and right side perspective view thereof;
FIG. 3 is a front elevation view thereof;
FIG. 4 is a rear elevation view thereof;
FIG. 5 is a left side elevation view thereof;
FIG. 6 is a right side elevation view thereof; and,
FIG. 7 is a top plan view thereof.

The bottom plan view of the vehicle of our present invention contains no ornamental feature(s) to be claimed, and therefore is omitted.

The broken lines shown in the drawings depict portions of the vehicle of our present invention that form no part of the claimed design.

1 Claim, 7 Drawing Sheets



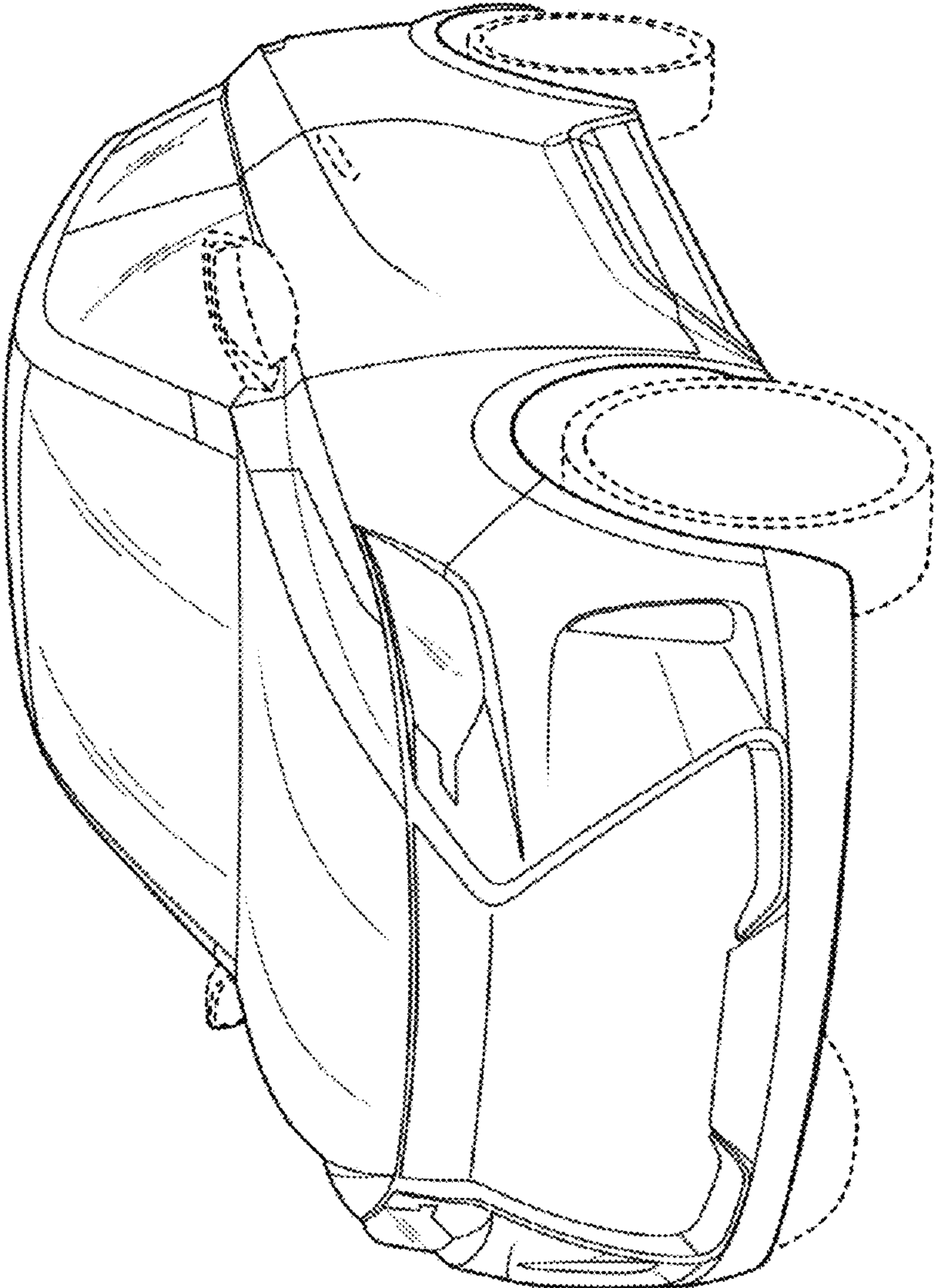


FIG. 1

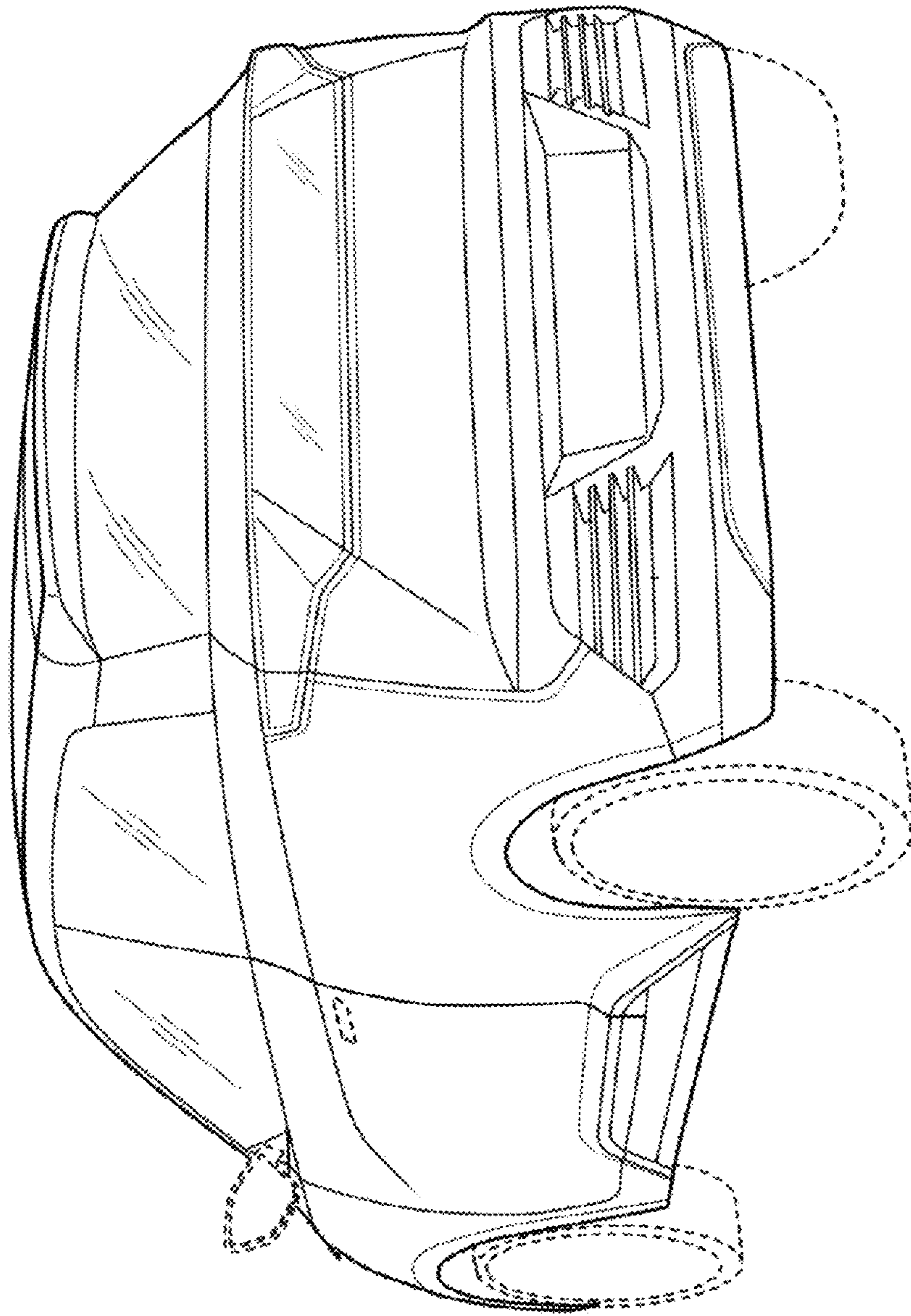


FIG. 2

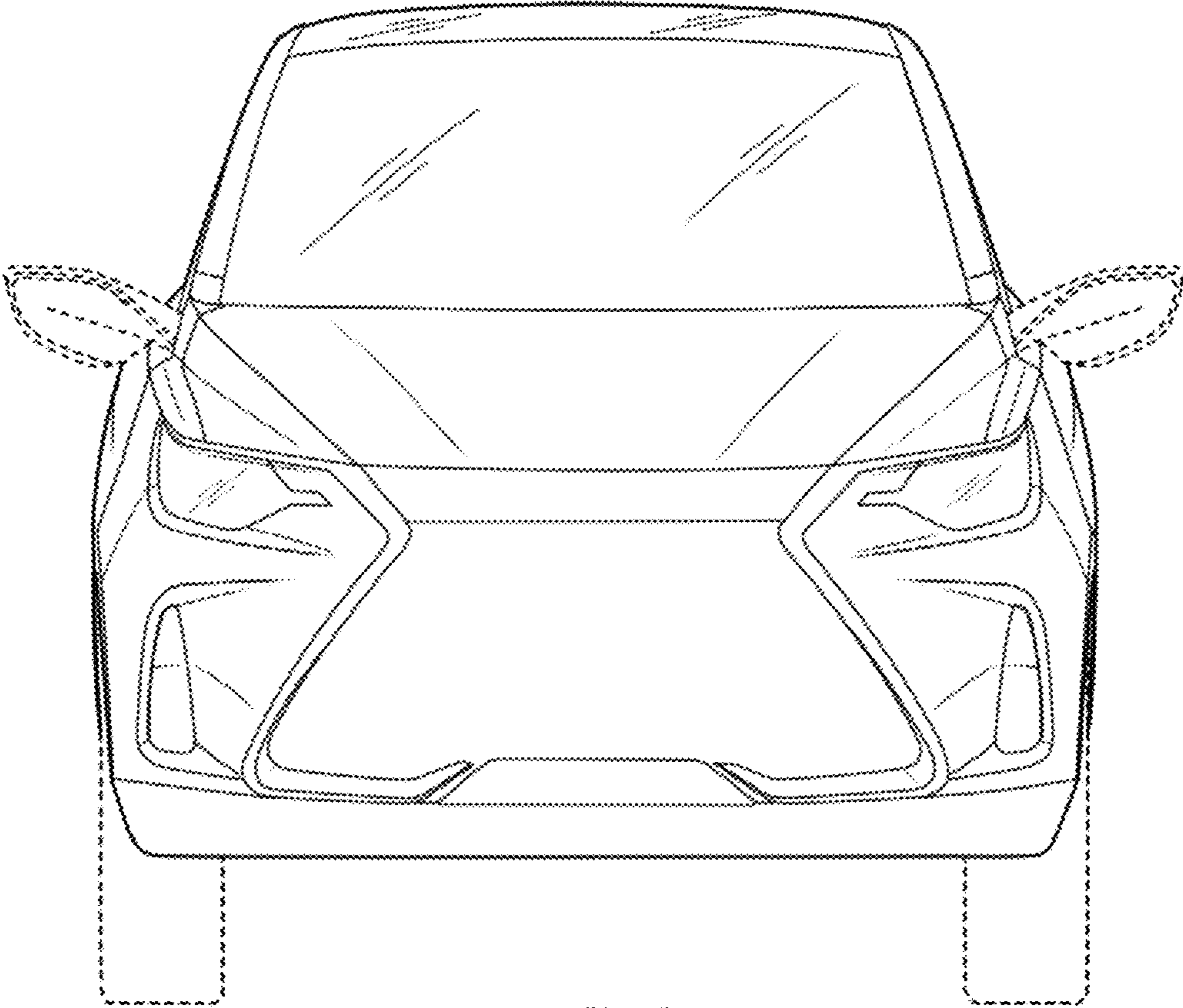


FIG. 3

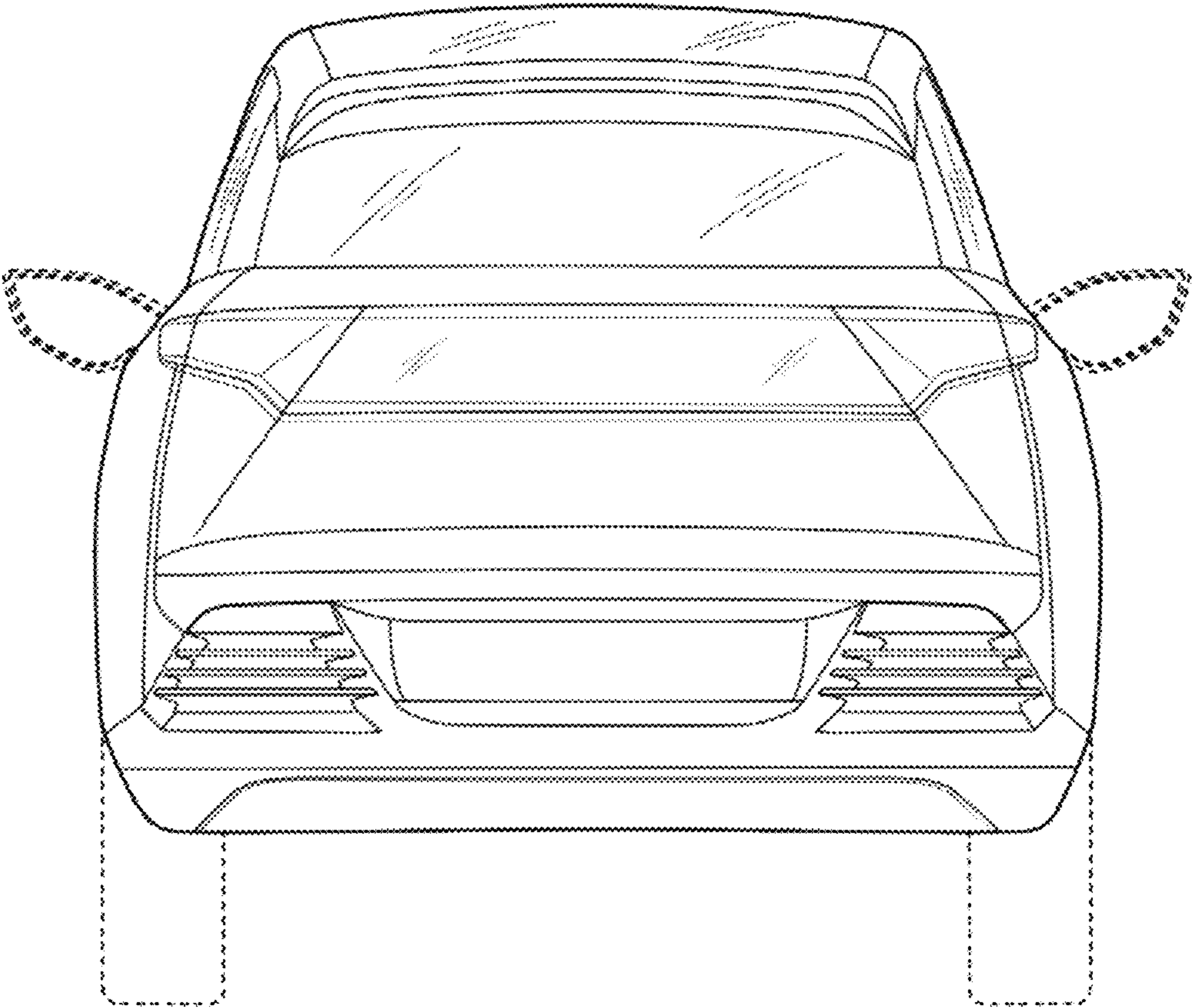


FIG. 4

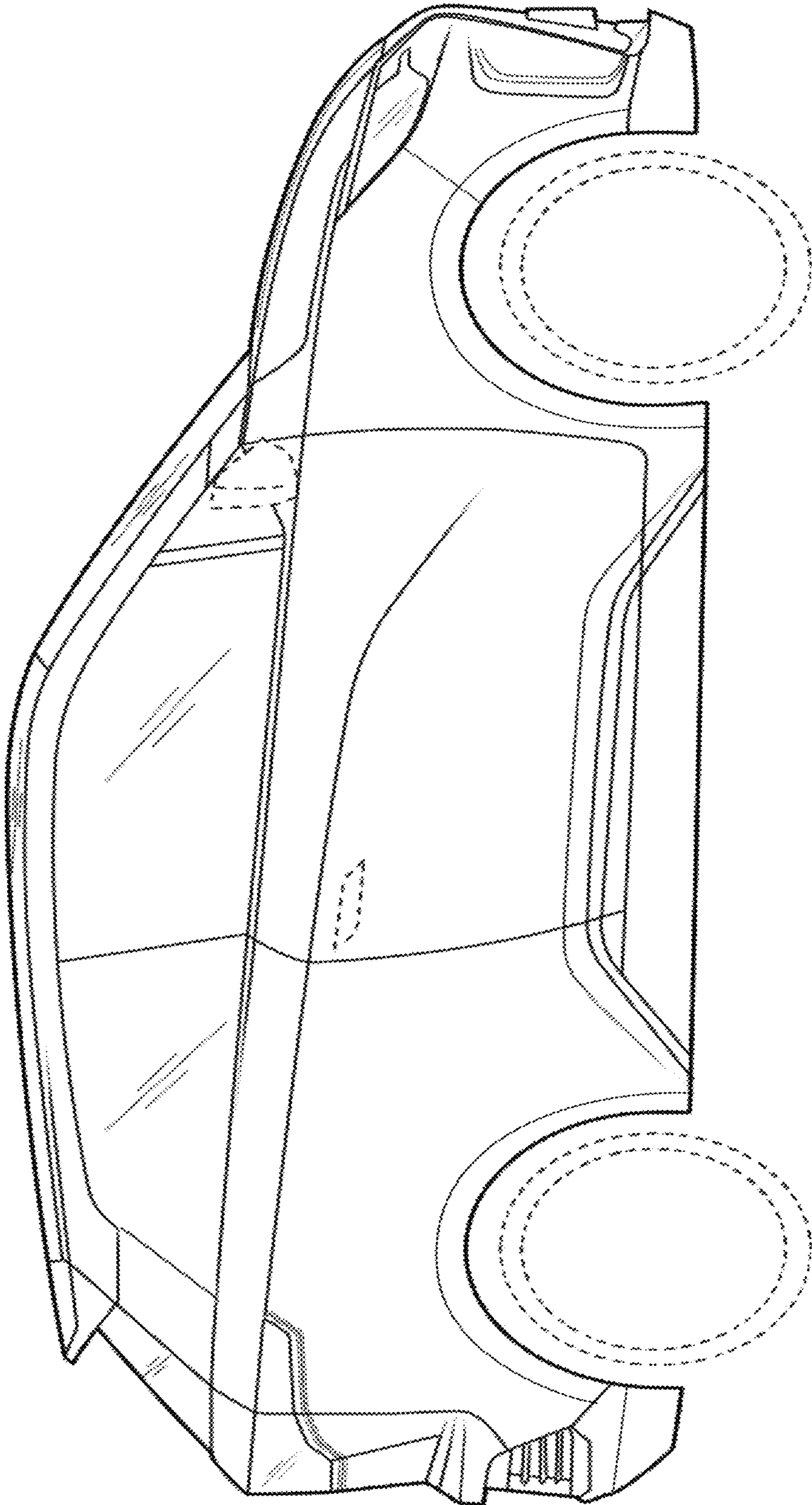


FIG. 5

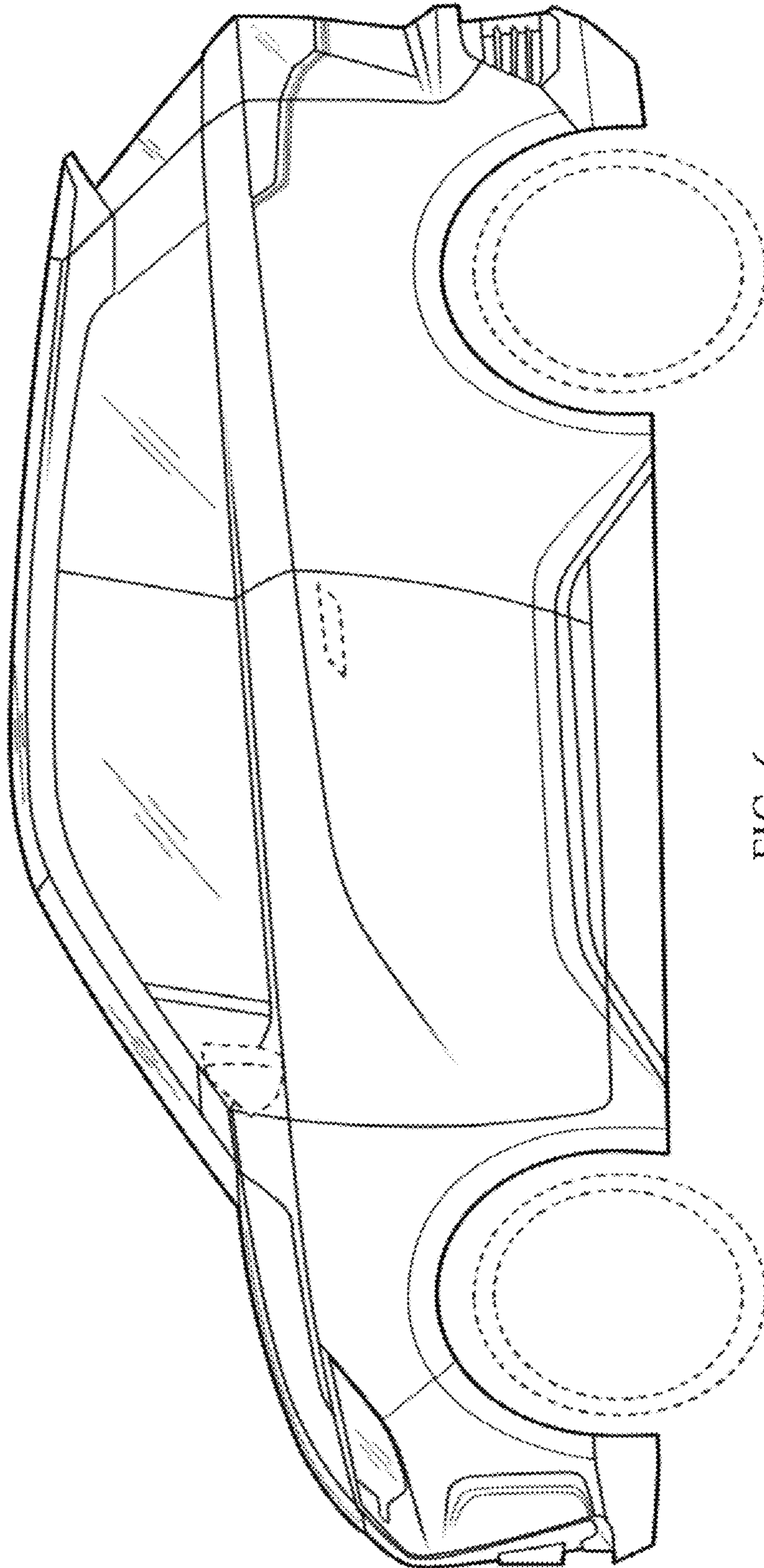


FIG. 6

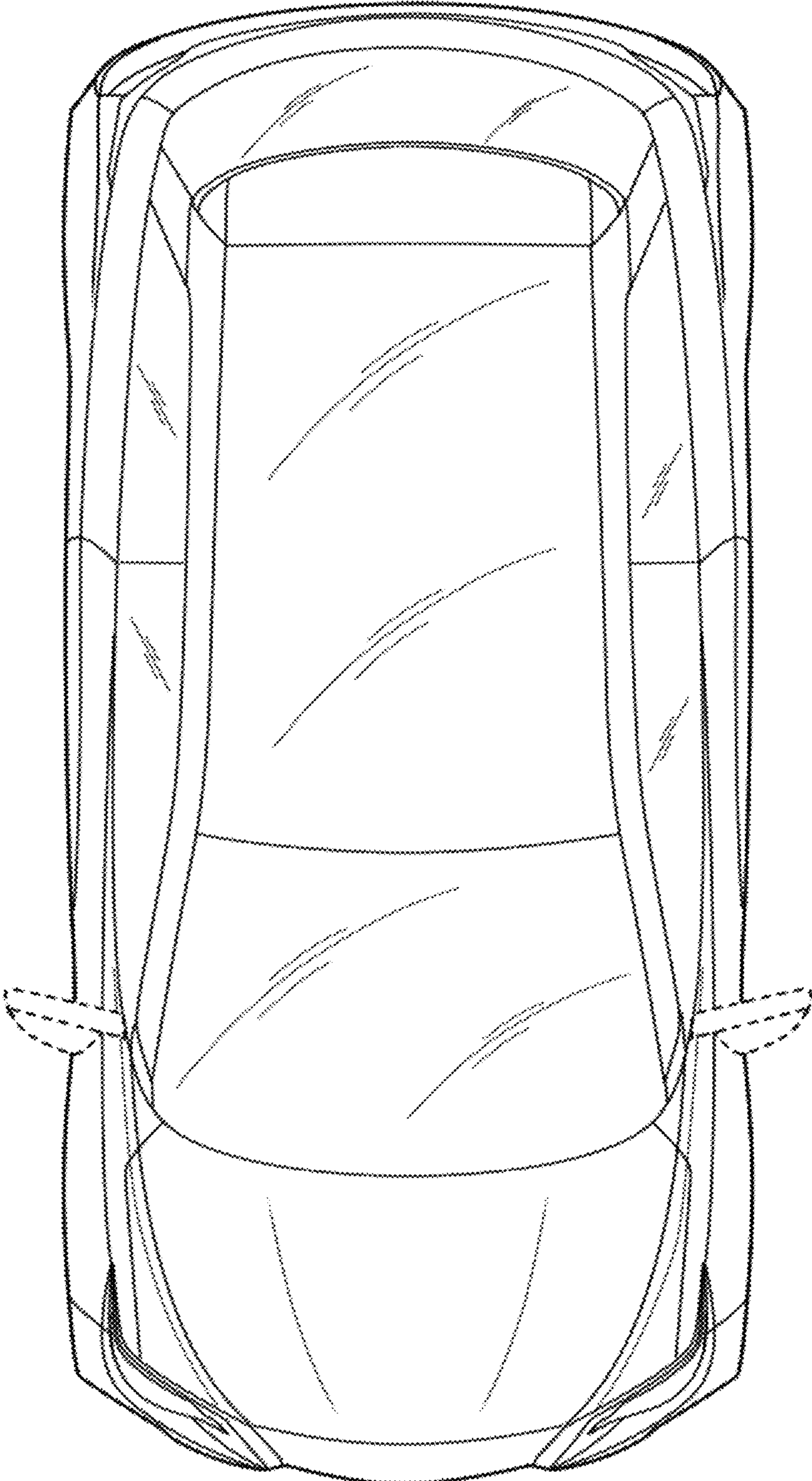


FIG. 7