



US00D819491S

(12) **United States Design Patent**
Hemphill

(10) **Patent No.:** **US D819,491 S**

(45) **Date of Patent:** **** Jun. 5, 2018**

- (54) **BAG STRAP CLIP**
- (71) Applicant: **Callaway Golf Company**, Carlsbad, CA (US)
- (72) Inventor: **Gregg Hemphill**, Ladera Ranch, CA (US)
- (73) Assignee: **Callaway Golf Company**, Carlsbad, CA (US)
- (**) Term: **15 Years**
- (21) Appl. No.: **29/604,548**
- (22) Filed: **May 18, 2017**
- (51) **LOC (11) Cl.** **02-07**
- (52) **U.S. Cl.**
USPC **D11/200**
- (58) **Field of Classification Search**
USPC D11/1-2, 200-201, 206-210, 214-218;
24/163 R, 169-171, 173, 177-179, 191,
24/194-195, 197, 200, 614-616, 625,
24/198, 578.11, 578.1, 163 K, 114;
D2/853, 624
CPC A44B 11/26; A44B 11/25; A44B 11/06;
A44B 11/266; A44B 11/04; A44B 11/01;
A44B 11/001; A44B 11/10
See application file for complete search history.

7,020,937 B2 *	4/2006	Nakatsuka	A44B 19/262	24/429
D632,215 S *	2/2011	Shani	D11/216	
D632,216 S *	2/2011	Shani	D11/216	
D632,612 S *	2/2011	Shani	D11/216	
D700,864 S *	3/2014	Pernu	D11/220	
D701,140 S *	3/2014	Pernu	D11/220	
D713,288 S *	9/2014	Fildan	D11/200	
D713,290 S *	9/2014	Fildan	D11/200	
D713,291 S *	9/2014	Fildan	D11/200	
D715,184 S *	10/2014	Howard McElroy	D11/200	
D729,118 S *	5/2015	Johnson	D11/200	

* cited by examiner

Primary Examiner — Ralf Seifert

(74) *Attorney, Agent, or Firm* — Rebecca Hanovice;
Michael Catania; Sonia Lari

(57) **CLAIM**

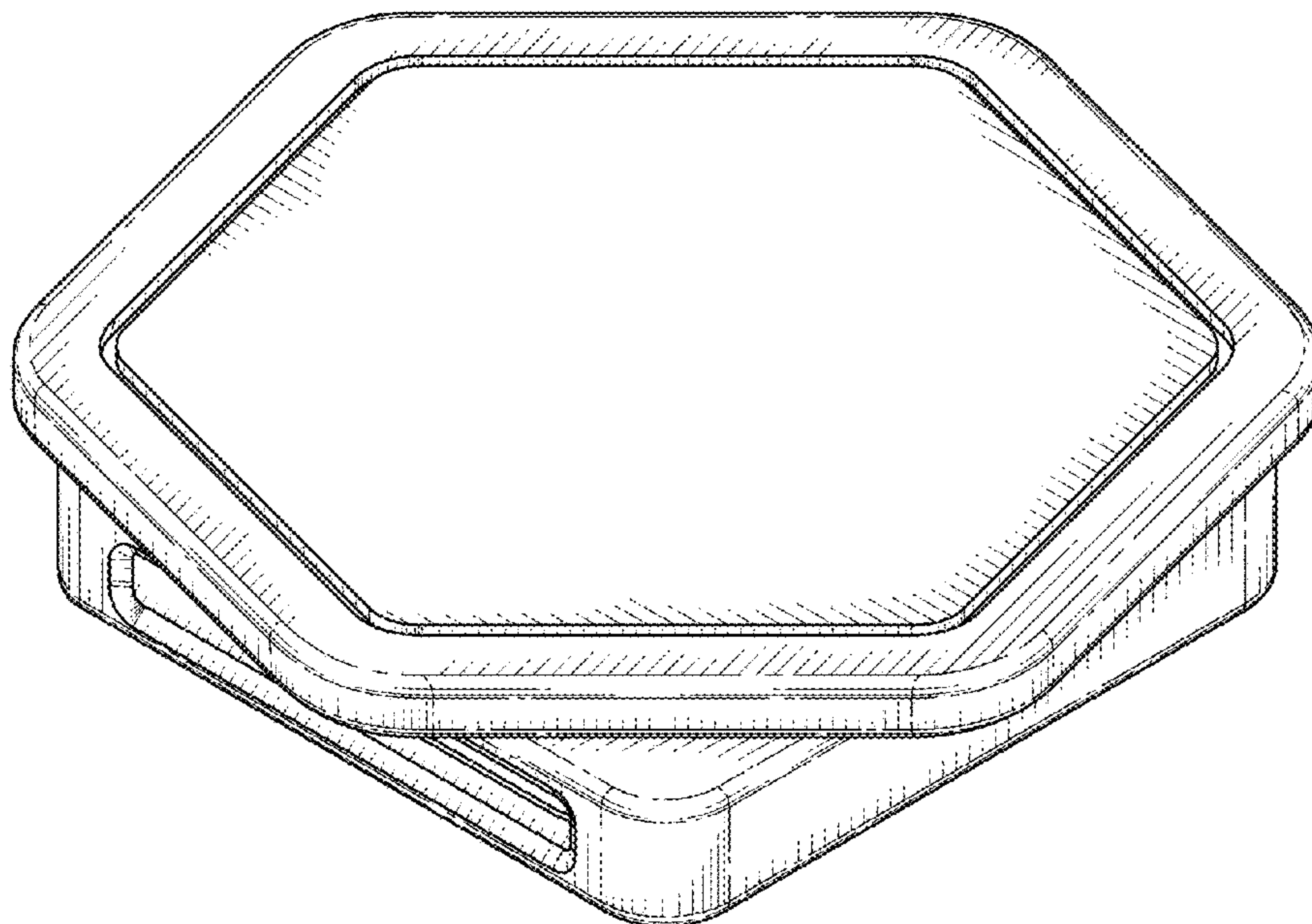
The ornamental design for a bag strap clip, as shown and described.

DESCRIPTION

FIG. 1 is a side perspective view of the bag strap clip claimed herein;
 FIG. 2 is a top elevational view thereof;
 FIG. 3 is a bottom elevational view thereof;
 FIG. 4 is a left side elevational view thereof;
 FIG. 5 is a right side elevational view thereof;
 FIG. 6 is a rear side elevational view thereof; and,
 FIG. 7 is a front side elevational view thereof.
 The broken lines are included for the purpose of illustration and form no part of the claimed design.

1 Claim, 5 Drawing Sheets

- (56) **References Cited**
U.S. PATENT DOCUMENTS
D196,908 S * 11/1963 Di Mascolo D11/212
5,557,830 A * 9/1996 Davis A44B 99/00
24/113 MP



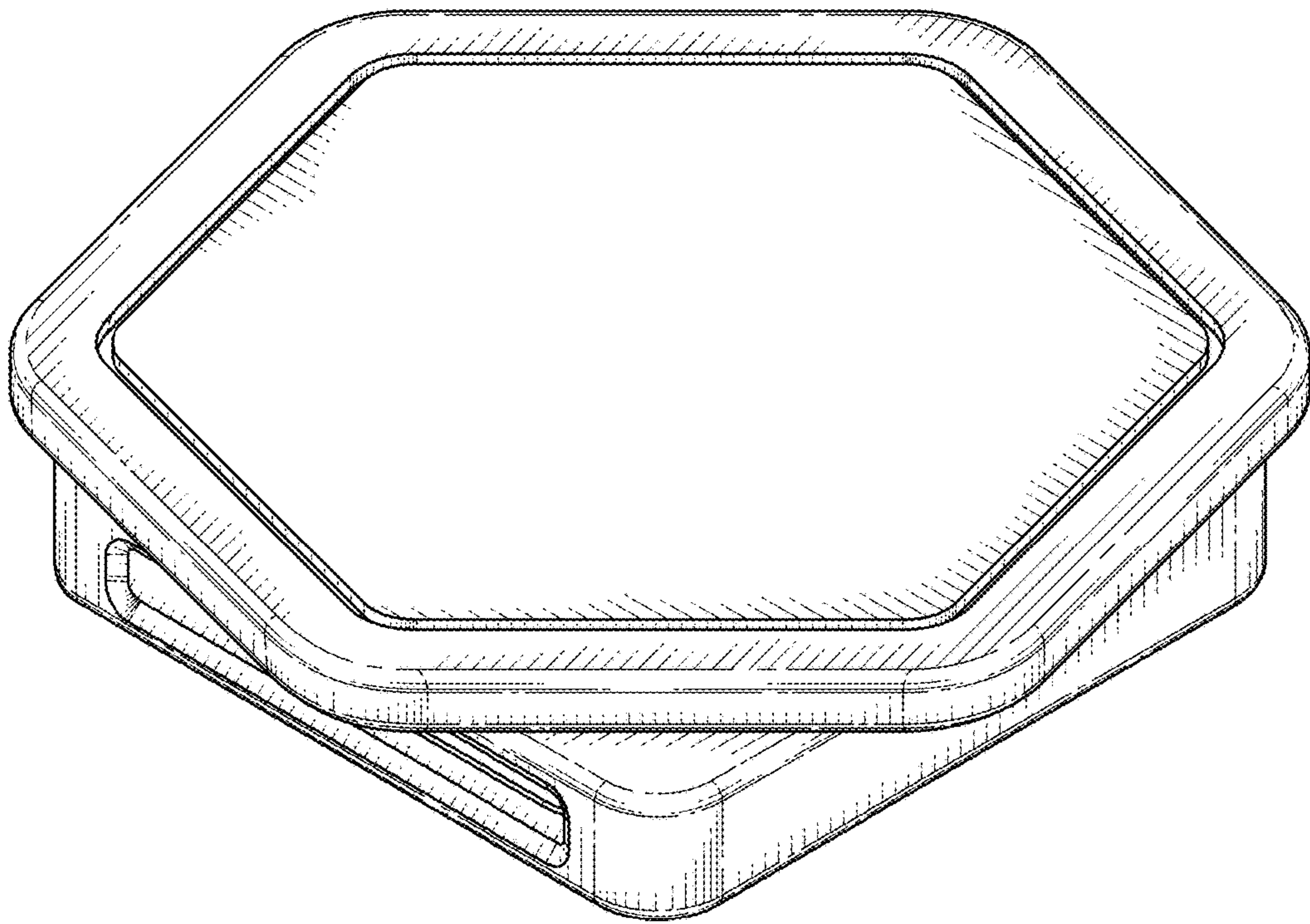


FIG. 1

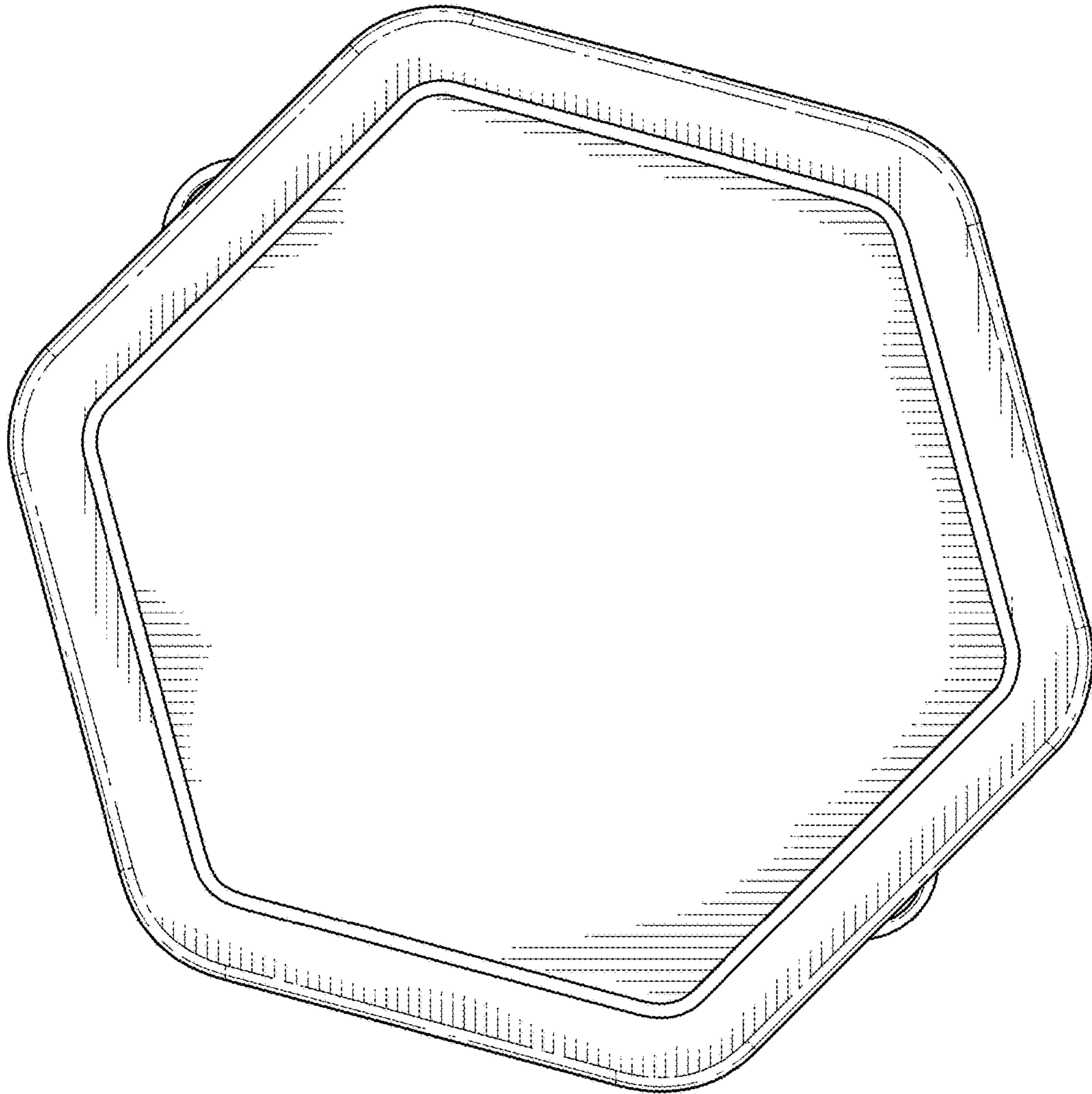


FIG. 2

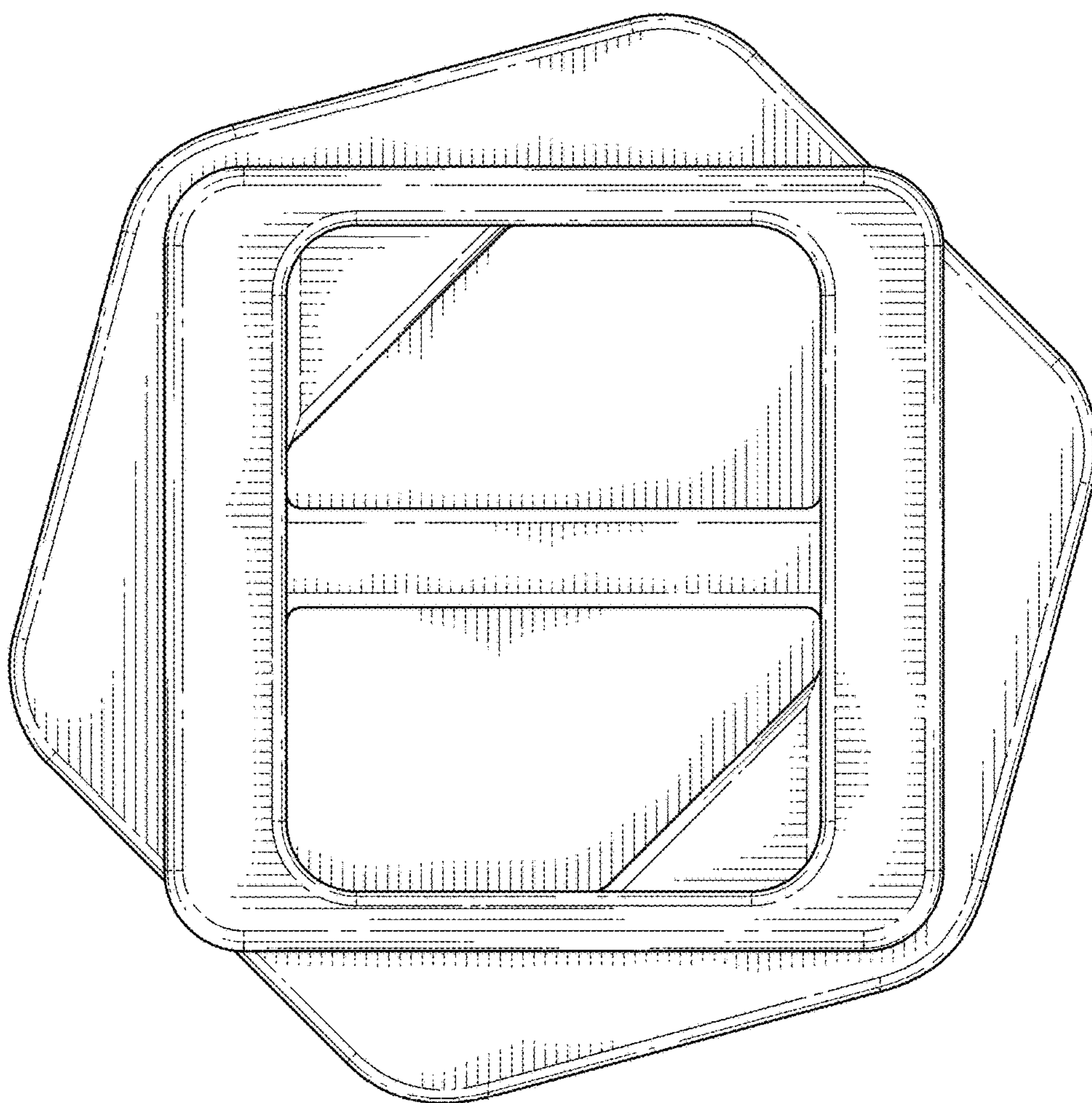


FIG. 3

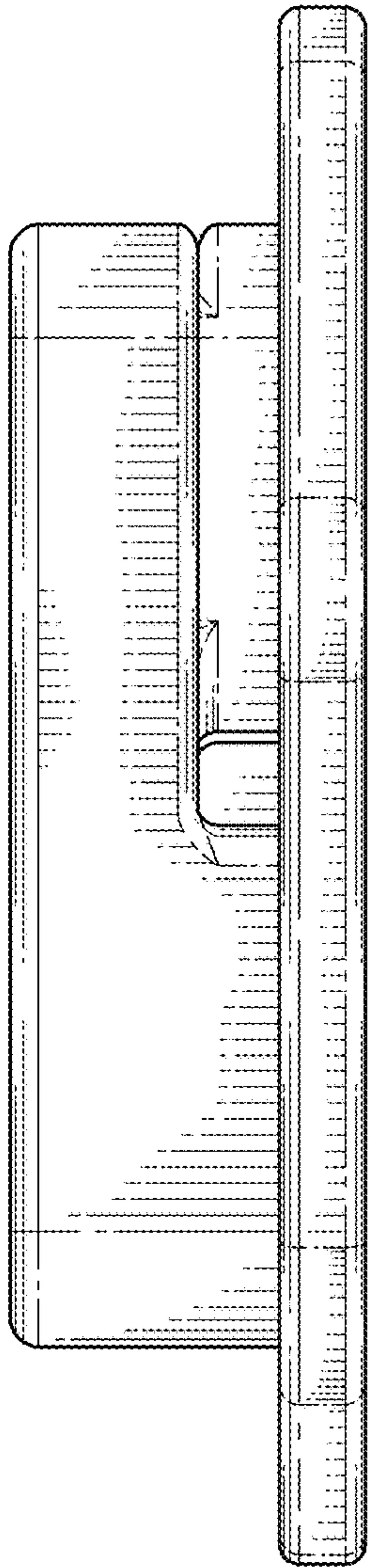


FIG. 4

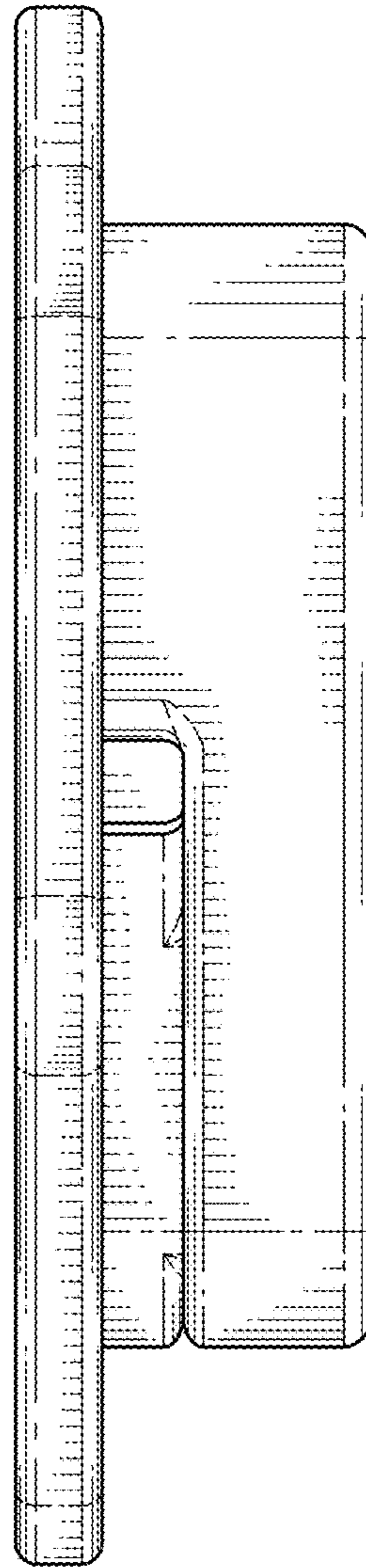


FIG. 5

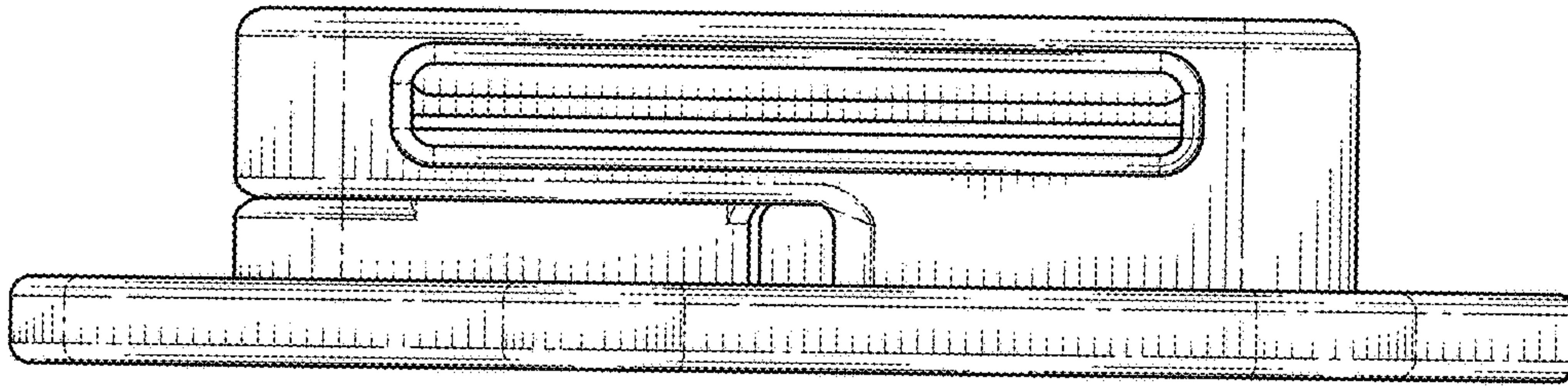


FIG. 6

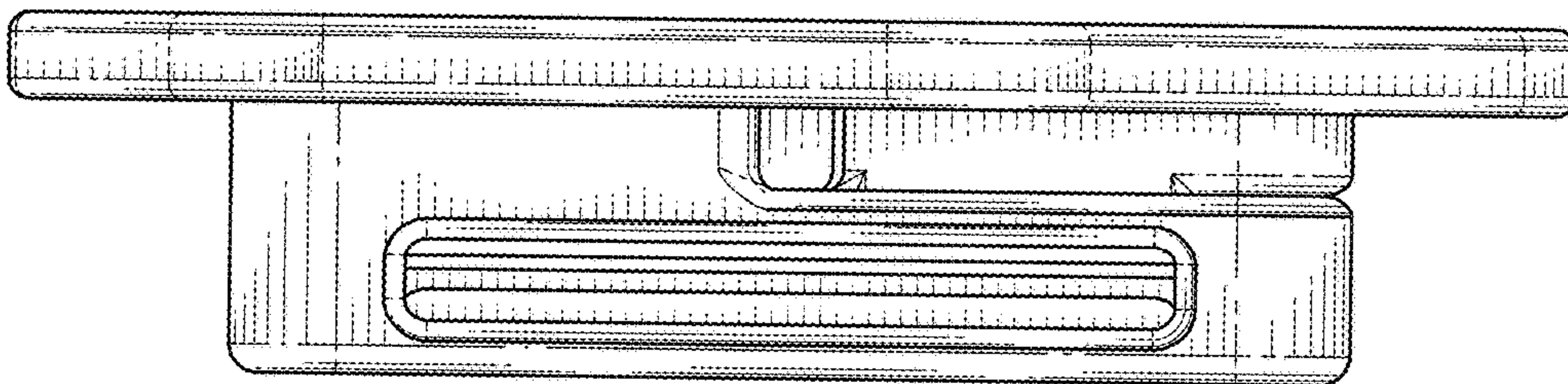


FIG. 7