



US00D819490S

(12) **United States Design Patent**
Ryan

(10) **Patent No.:** **US D819,490 S**
(45) **Date of Patent:** **** Jun. 5, 2018**

- (54) **BARREL RAIL PLANTER**
- (71) Applicant: **Classic Home & Garden, LLC,**
Monroe, CT (US)
- (72) Inventor: **Fred Joseph Ryan,** Monroe, CT (US)
- (73) Assignee: **Classic Home & Garden, LLC,**
Monroe, CT (US)
- (**) Term: **15 Years**
- (21) Appl. No.: **29/571,932**
- (22) Filed: **Jul. 22, 2016**
- (51) **LOC (11) Cl.** **11-02**
- (52) **U.S. Cl.**
USPC **D11/153**
- (58) **Field of Classification Search**
USPC D8/1; D11/143, 152, 149, 153; D6/403,
D6/556, 557
CPC A01G 9/02; A47G 7/047
See application file for complete search history.

- 6,098,338 A * 8/2000 Tilton A01G 9/02
428/15
- D491,487 S * 6/2004 Buss D11/152
- D492,617 S * 7/2004 Axworthy D11/149
- D573,060 S * 7/2008 White D11/152
- D621,295 S * 8/2010 Skalka D11/152
- D684,891 S * 6/2013 Team D11/149
- D710,245 S * 8/2014 Mast D11/155
- D765,232 S * 8/2016 Horsfield D23/343
- 2017/0055459 A1* 3/2017 Takaoka A01G 9/02

* cited by examiner

Primary Examiner — Sheryl Lane

(74) *Attorney, Agent, or Firm* — Tutunjian & Bitetto, P.C.

(57) **CLAIM**

The ornamental design for the barrel rail planter, as shown and described.

DESCRIPTION

This application is related to Design Patent application Ser. Nos. 29/571,928 and 29/571,930, both filed concurrently herewith.

FIG. 1 is a perspective view showing a barrel rail planter in accordance with a new design;

FIG. 2 is a front view thereof;

FIG. 3 is a rear view thereof;

FIG. 4 is a left side view thereof;

FIG. 5 is a right side view thereof;

FIG. 6 is a top view thereof; and,

FIG. 7 is a bottom view thereof.

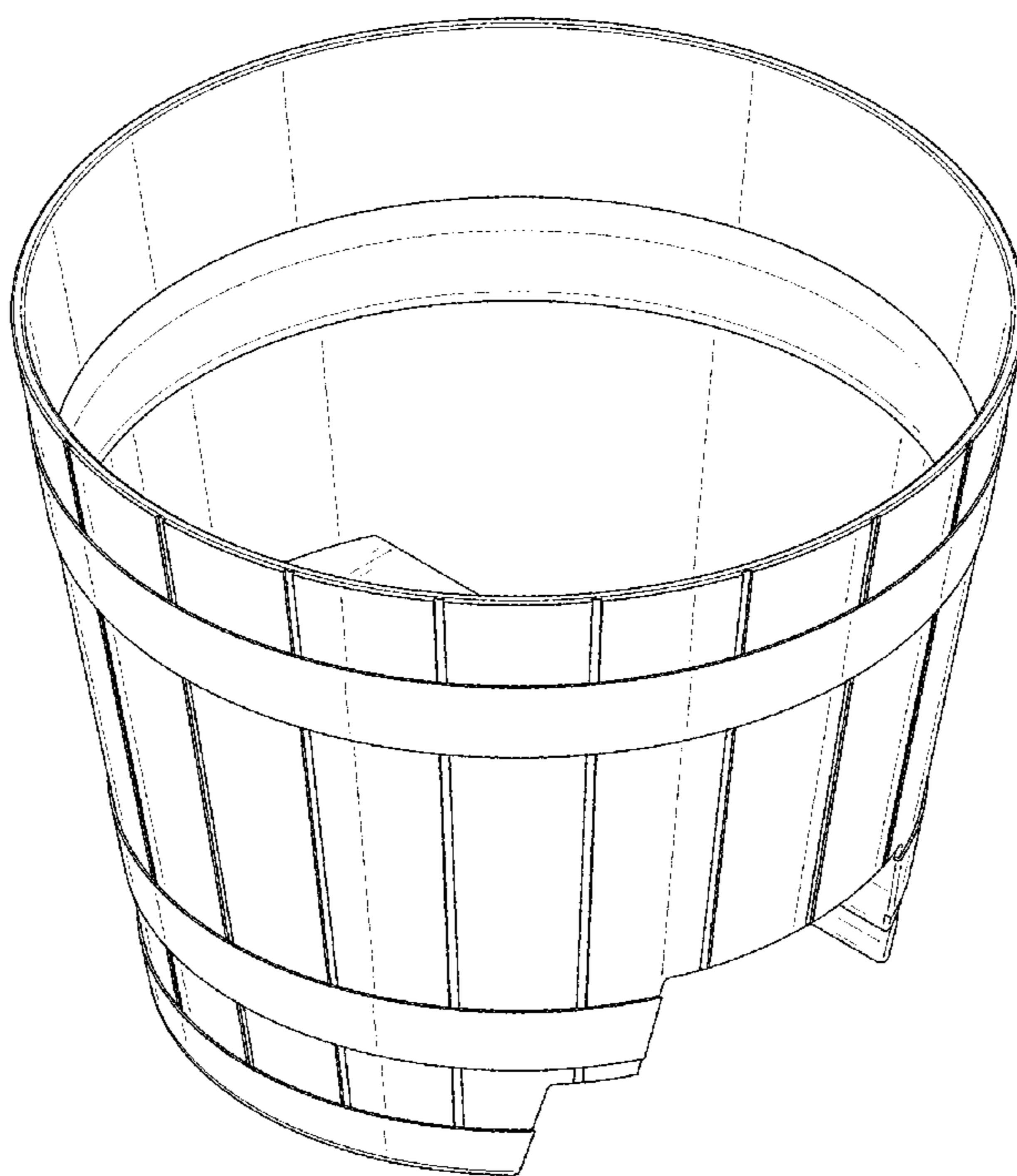
The broken lines represent portions of the planter and form no part of the claimed design.

1 Claim, 7 Drawing Sheets

(56) **References Cited**

U.S. PATENT DOCUMENTS

- 244,883 A * 7/1881 Gantt G01F 19/002
217/75
- 1,932,748 A * 10/1933 Peck A01G 9/02
47/66.1
- D293,823 S * 1/1988 Fieschi D26/11
- D296,089 S * 6/1988 Pouliot D11/143
- D367,243 S * 2/1996 McAllister D11/152
- D422,936 S * 4/2000 Tsou D11/152



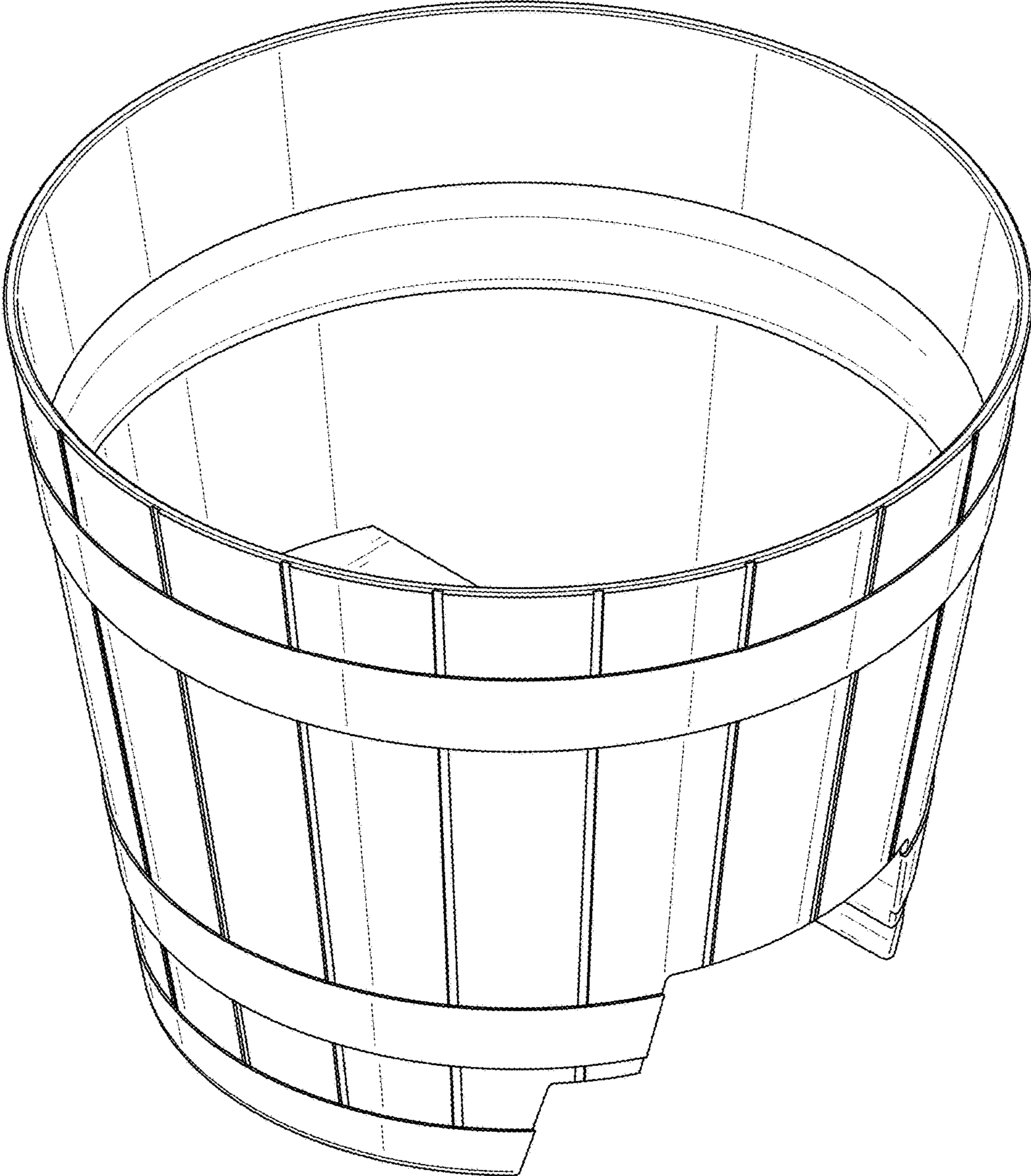


FIG. 1

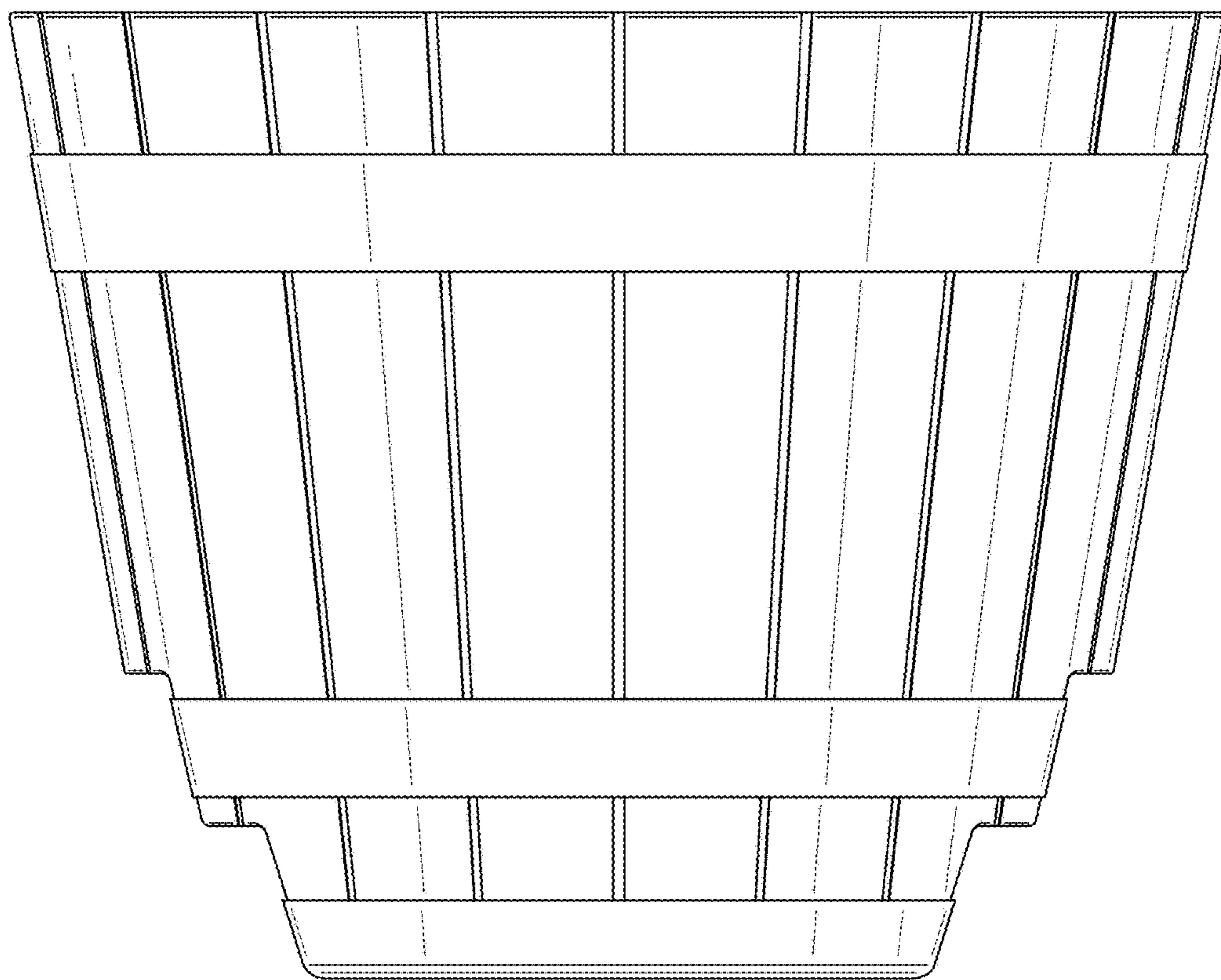


FIG. 2

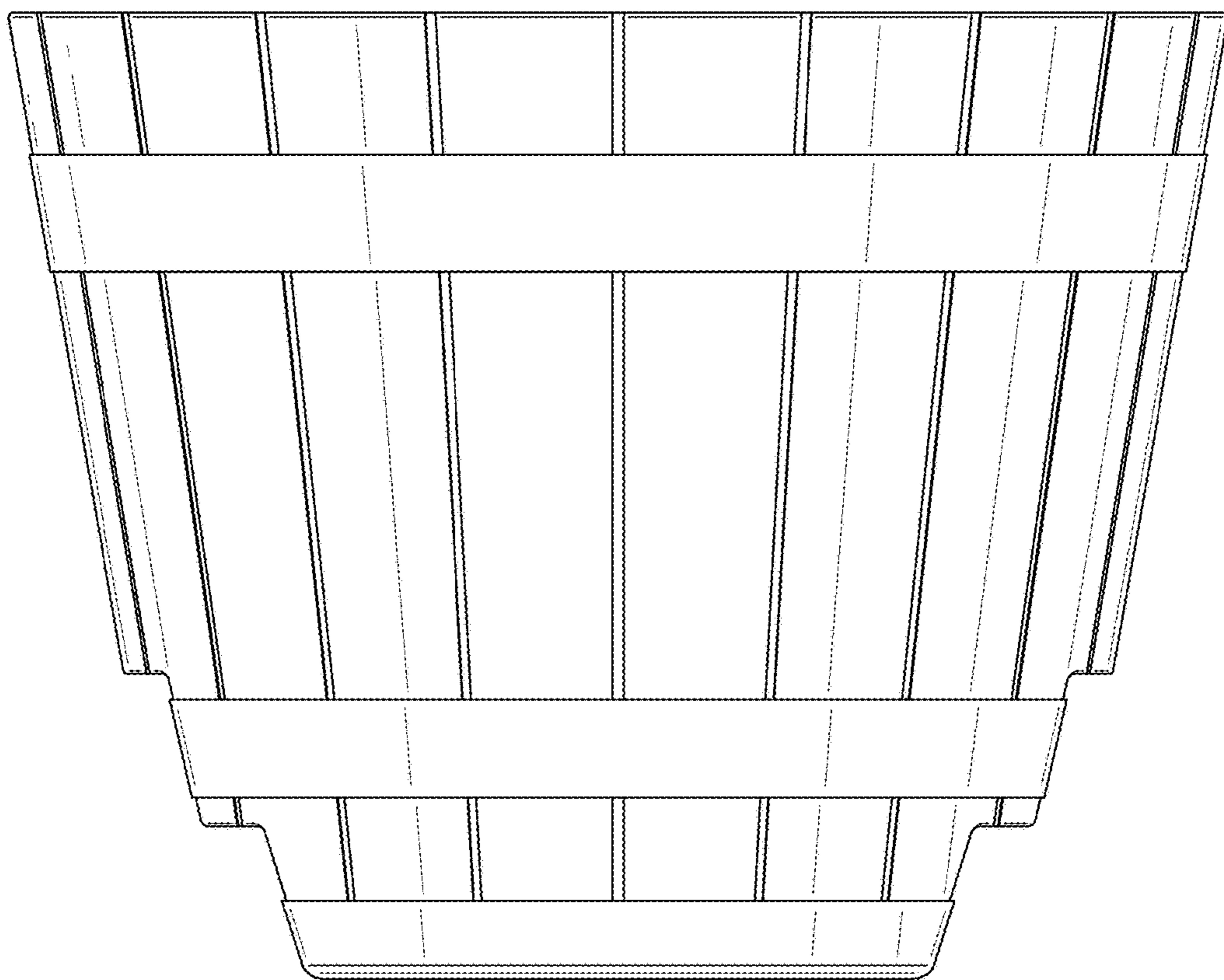


FIG. 3

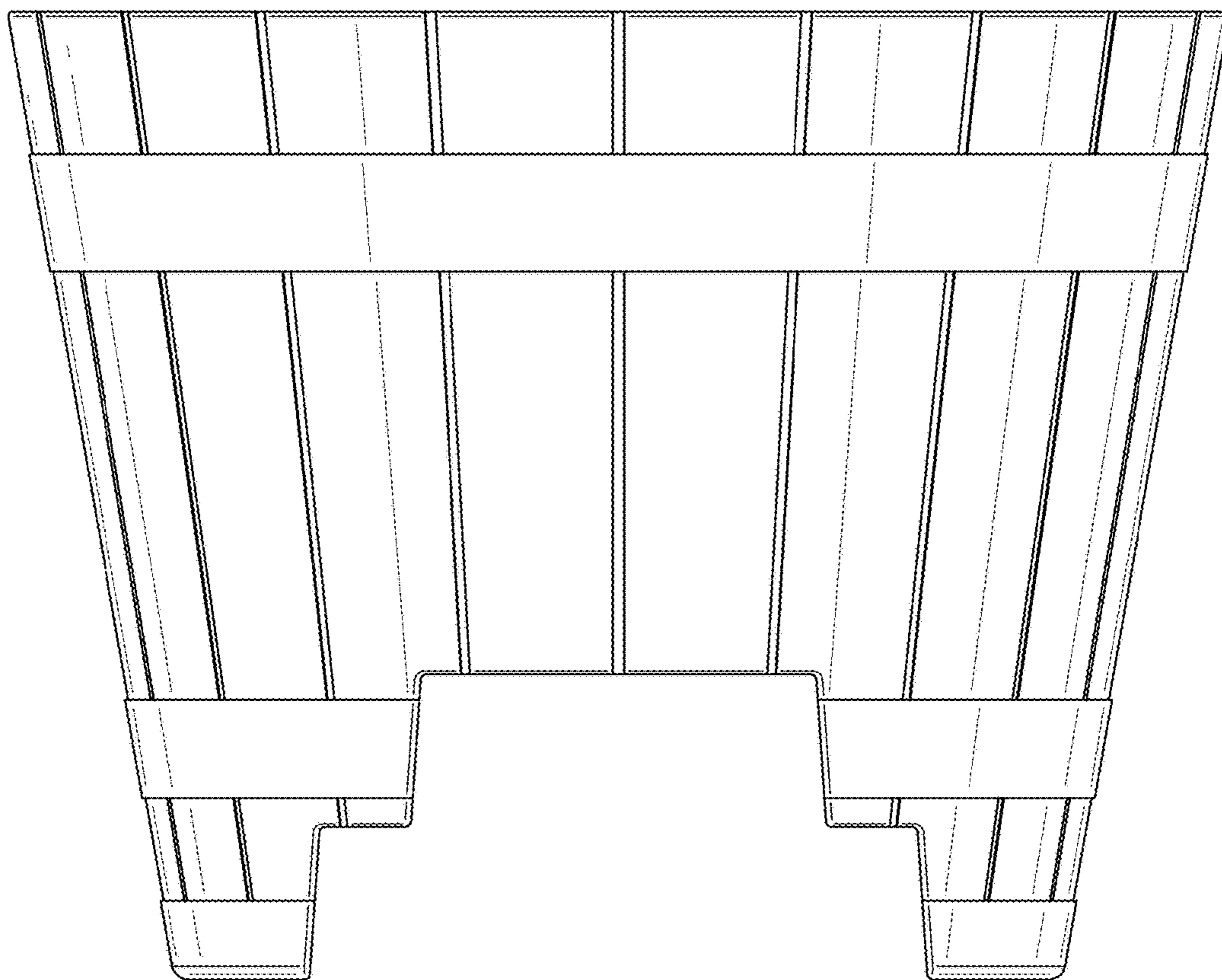


FIG. 4

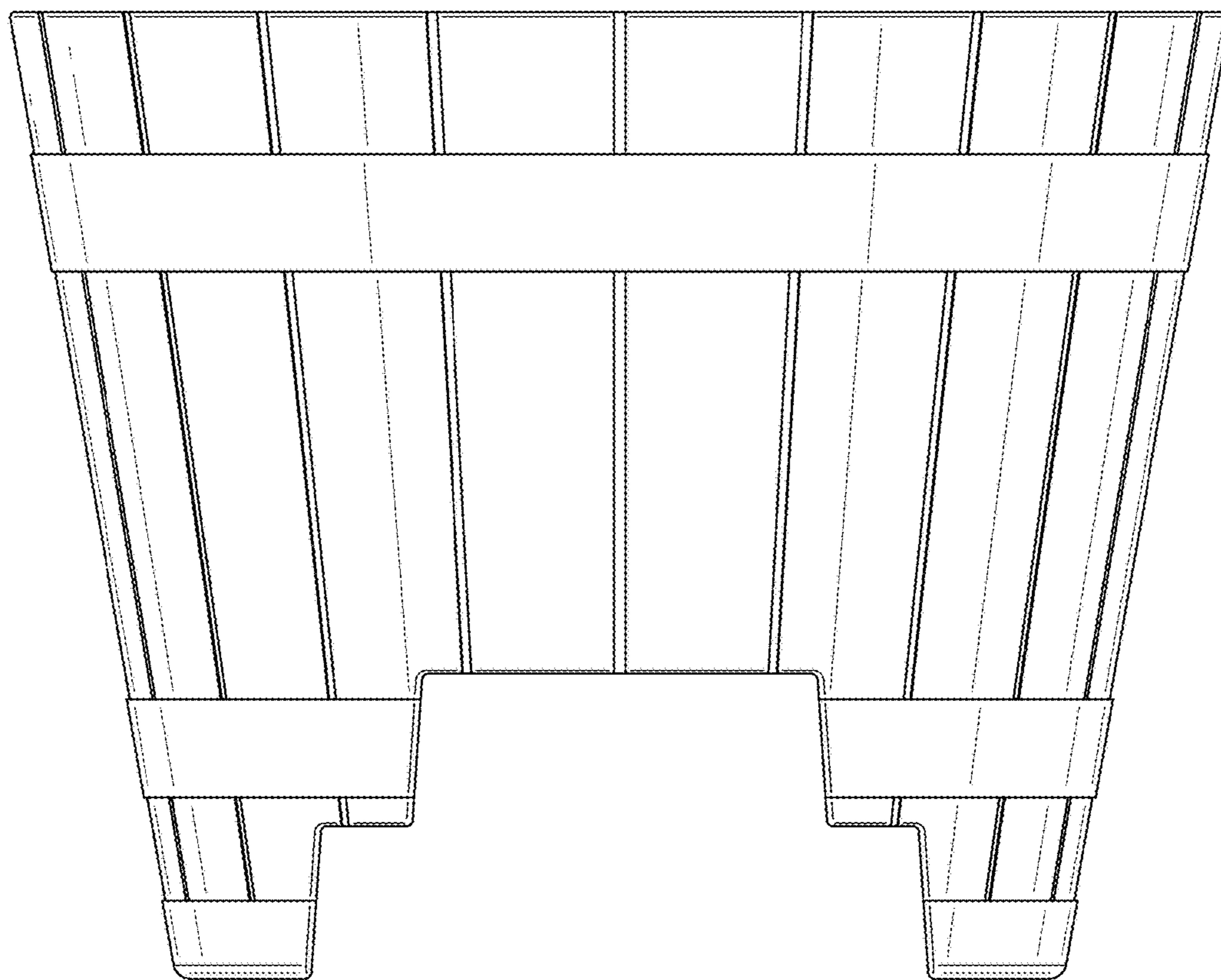


FIG. 5

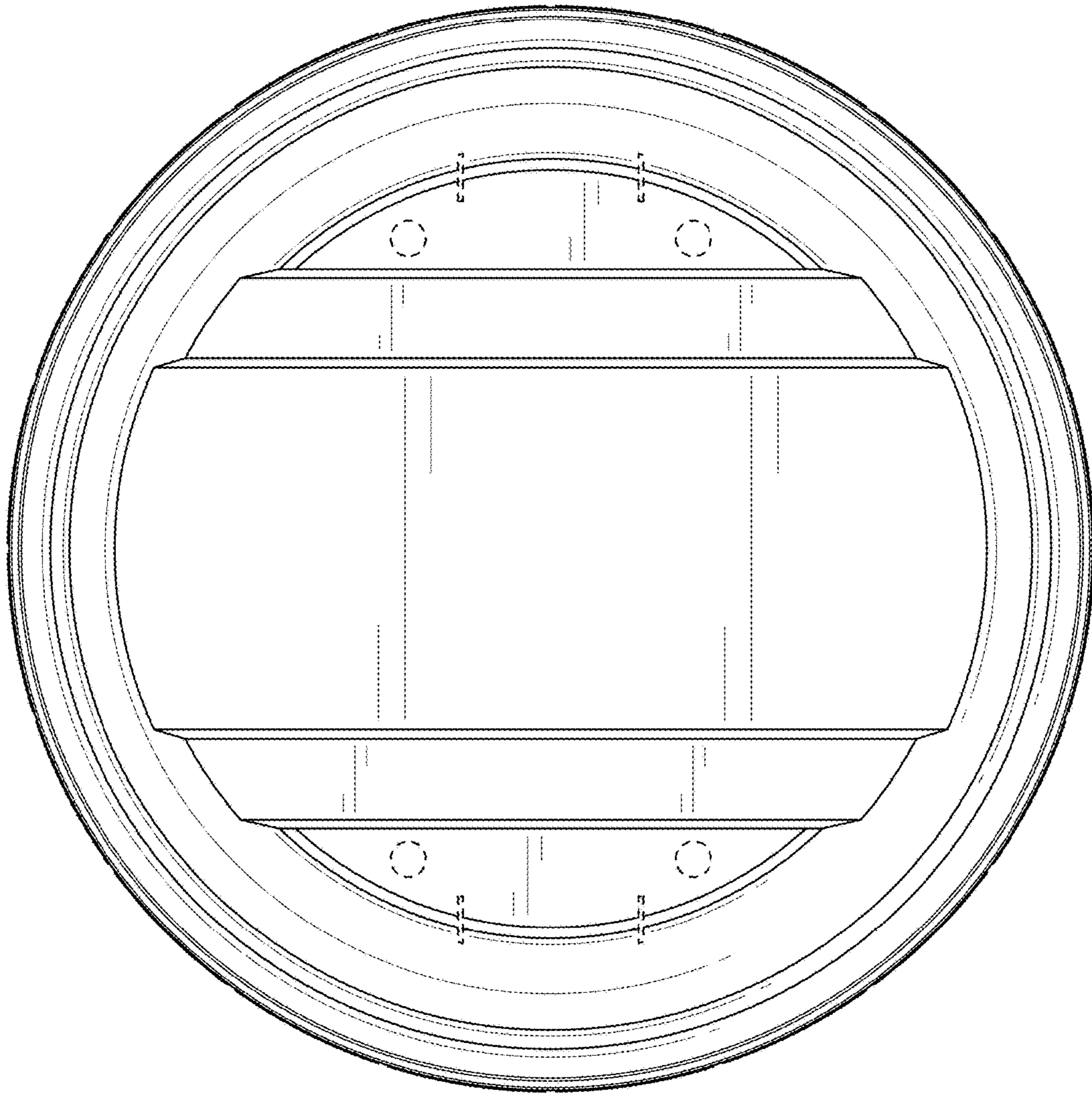


FIG. 6

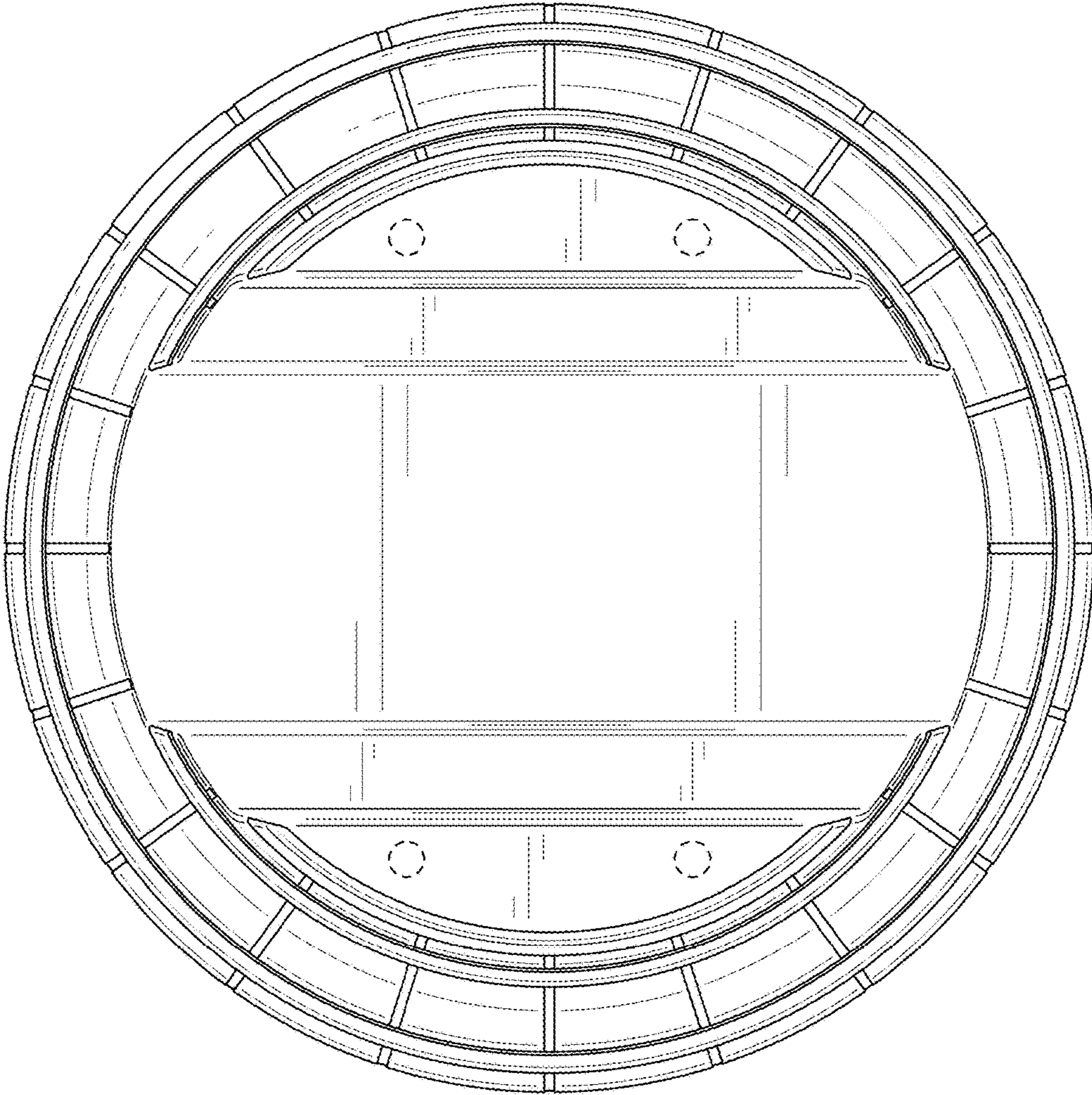


FIG. 7