



US00D819483S

(12) **United States Design Patent**  
**Ciptak et al.**

(10) **Patent No.:** **US D819,483 S**  
(45) **Date of Patent:** **\*\* Jun. 5, 2018**

- (54) **FASTENER**
- (71) Applicant: **Thompson Weiler Enterprises LLC**,  
Mt. Kisco, NY (US)
- (72) Inventors: **Valerie Ciptak**, Ossining, NY (US);  
**Julie DeMarchis**, Ossining, NY (US);  
**Leslie Asch**, Croton-on-Hudson, NY  
(US)
- (73) Assignee: **THOMPSON-WEILER**  
**ENTERPRISES, LLC**, Mt. Kisco, NY  
(US)

- D418,774 S \* 1/2000 Kalbach ..... D11/26
- D466,433 S \* 12/2002 Goto ..... D11/87
- 6,543,094 B2 \* 4/2003 D'Addario ..... F16L 3/233  
24/16 PB
- D518,405 S \* 4/2006 Stern ..... D11/86
- D518,407 S \* 4/2006 Stern ..... D11/86
- D534,065 S \* 12/2006 Andre ..... D8/395
- D575,192 S \* 8/2008 Yoshiguchi ..... D11/221
- D578,932 S \* 10/2008 Yoshiguchi ..... D11/221
- D639,708 S \* 6/2011 Paik ..... D11/221
- D679,175 S \* 4/2013 Moreau ..... D11/87
- 8,910,351 B2 \* 12/2014 Iannello ..... A44B 19/262  
24/415
- 9,498,027 B2 \* 11/2016 Chen ..... A44B 19/262
- 9,877,550 B1 \* 1/2018 Chen ..... A44B 19/262

(Continued)

(\*\*) Term: **15 Years**

(21) Appl. No.: **29/595,431**

(22) Filed: **Feb. 28, 2017**

(51) **LOC (11) Cl.** ..... **11-01**

(52) **U.S. Cl.**  
USPC ..... **D11/87**

(58) **Field of Classification Search**  
USPC ..... D11/1-2, 86-87, 200-201, 206-210,  
D11/214-218; 24/163 R, 169-171, 173,  
24/177-179, 191, 194-195, 197, 200,  
24/614-616, 625, 198, 578.11, 578.1,  
24/163 K, 114, 415; D2/853, 624;  
D8/383, 384  
CPC ..... A44B 11/26; A44B 11/25; A44B 11/06;  
A44B 11/266; A44B 19/262  
See application file for complete search history.

(56) **References Cited**

**U.S. PATENT DOCUMENTS**

- 3,364,500 A \* 1/1968 Fox ..... A41D 25/022  
2/150
- D297,304 S \* 8/1988 Ito ..... D11/200
- D309,619 S \* 7/1990 Kalbach ..... D16/339
- D344,691 S \* 3/1994 Kepiro ..... D11/218
- D382,503 S \* 8/1997 Kalbach ..... D11/7

*Primary Examiner* — **Rale Seifert**

(74) *Attorney, Agent, or Firm* — **Andrew F. Young, Esq.;**  
**Lackenbach Siegel, LLP**

(57) **CLAIM**

The ornamental design for a fastener, as shown and described.

**DESCRIPTION**

FIG. 1 is a front top perspective view of the present invention.

FIG. 2 is a top plan view of FIG. 1.

FIG. 3 is a bottom plan view of FIG. 1.

FIG. 4 is a left side view of FIG. 1.

FIG. 5 is a right side view of FIG. 1.

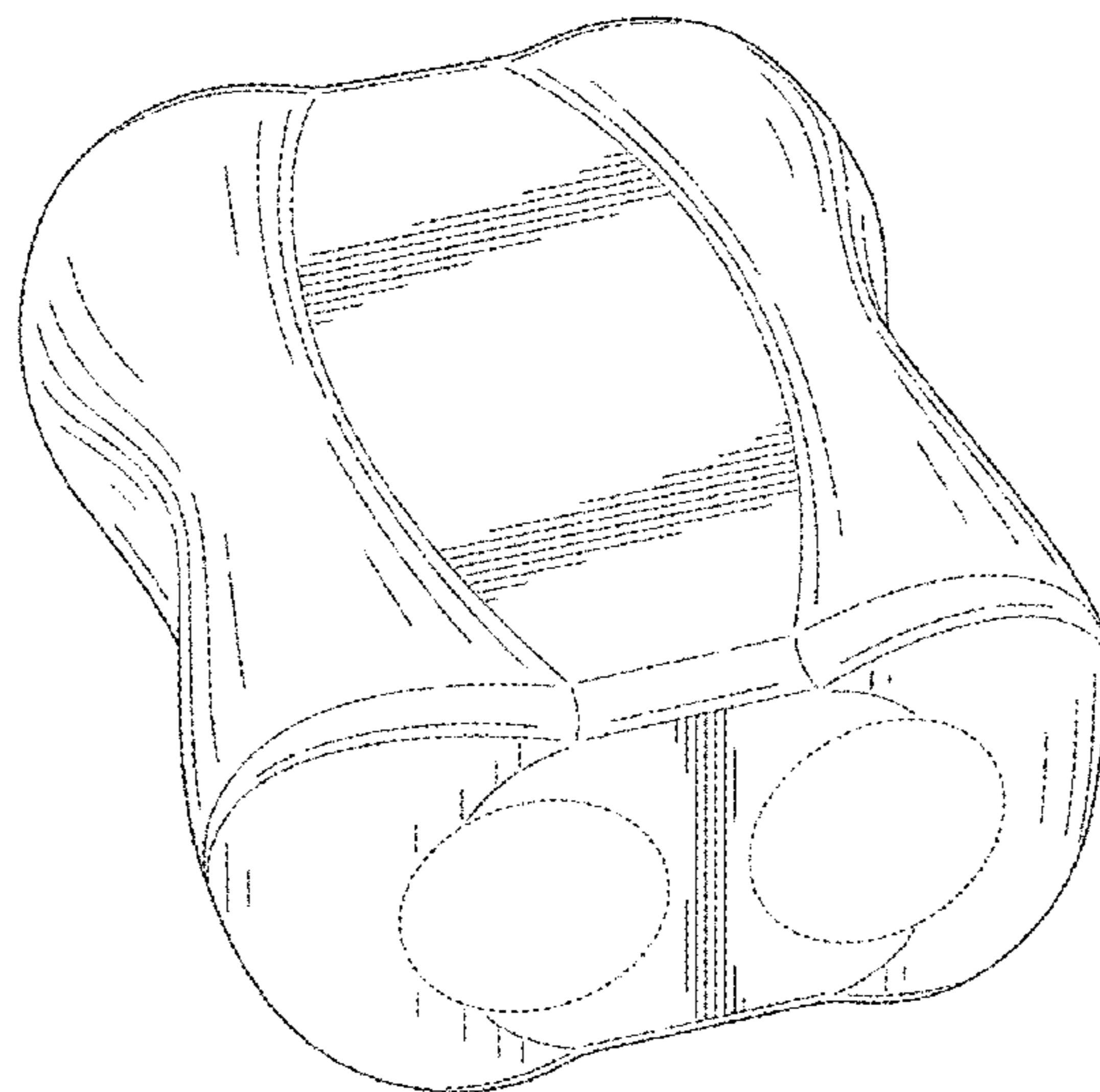
FIG. 6 is a front view of FIG. 1.

FIG. 7 is a back view of FIG. 1; and,

FIG. 8 is a perspective view of FIG. 1 shown in use with a pair of wearable suspenders.

The surfaces are lightly lined for contour only. No claim is made to features not shown in the present drawings. The disclaimed portions shown in dot-dot-lining are provided for environmental purposes only and form no part of the claimed design.

**1 Claim, 7 Drawing Sheets**



(56)

**References Cited**

U.S. PATENT DOCUMENTS

D809,966 S \* 2/2018 Wong ..... D11/200  
2009/0265899 A1 \* 10/2009 Yang ..... A44B 19/262  
24/429

\* cited by examiner

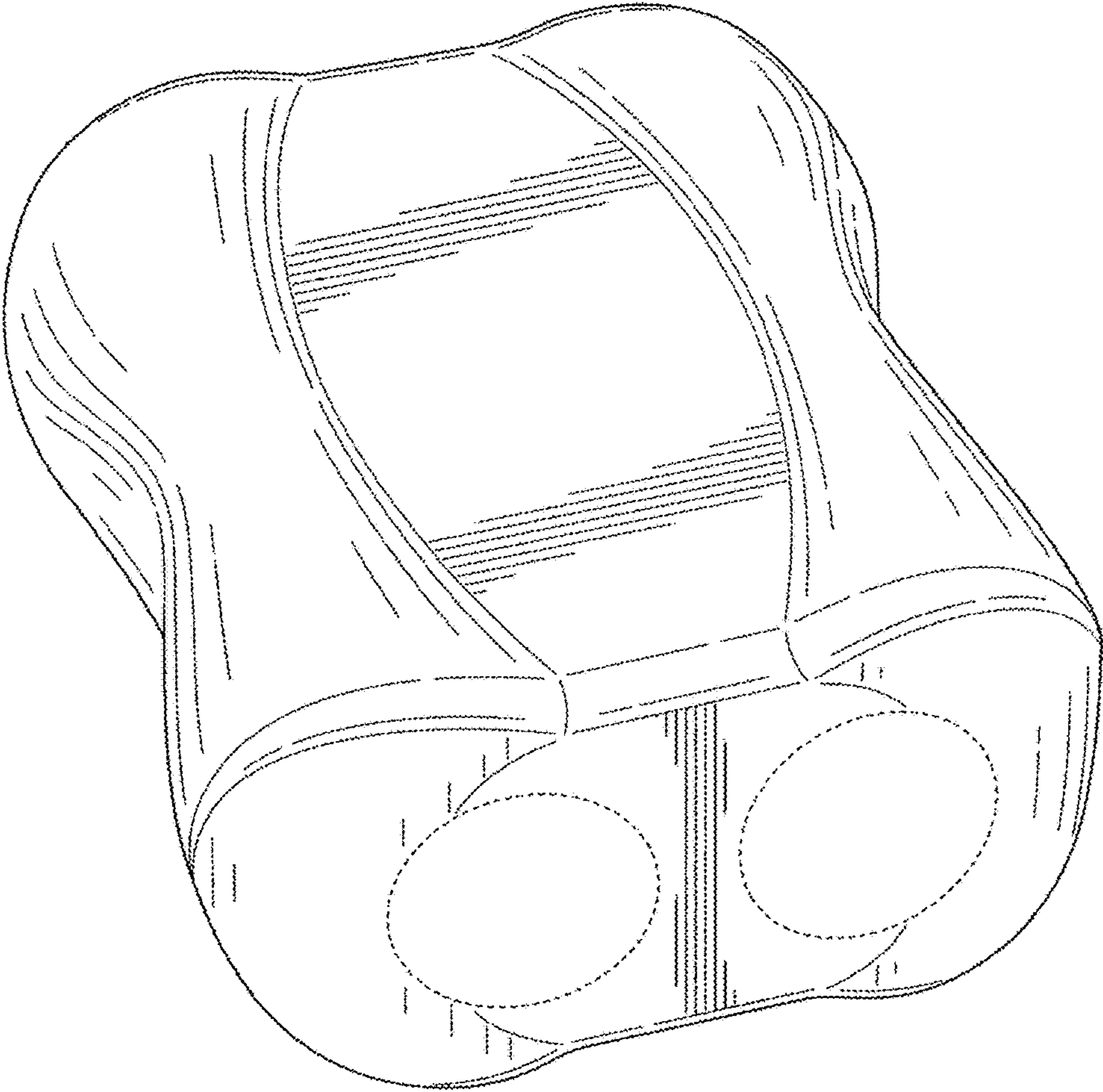


FIG. 1

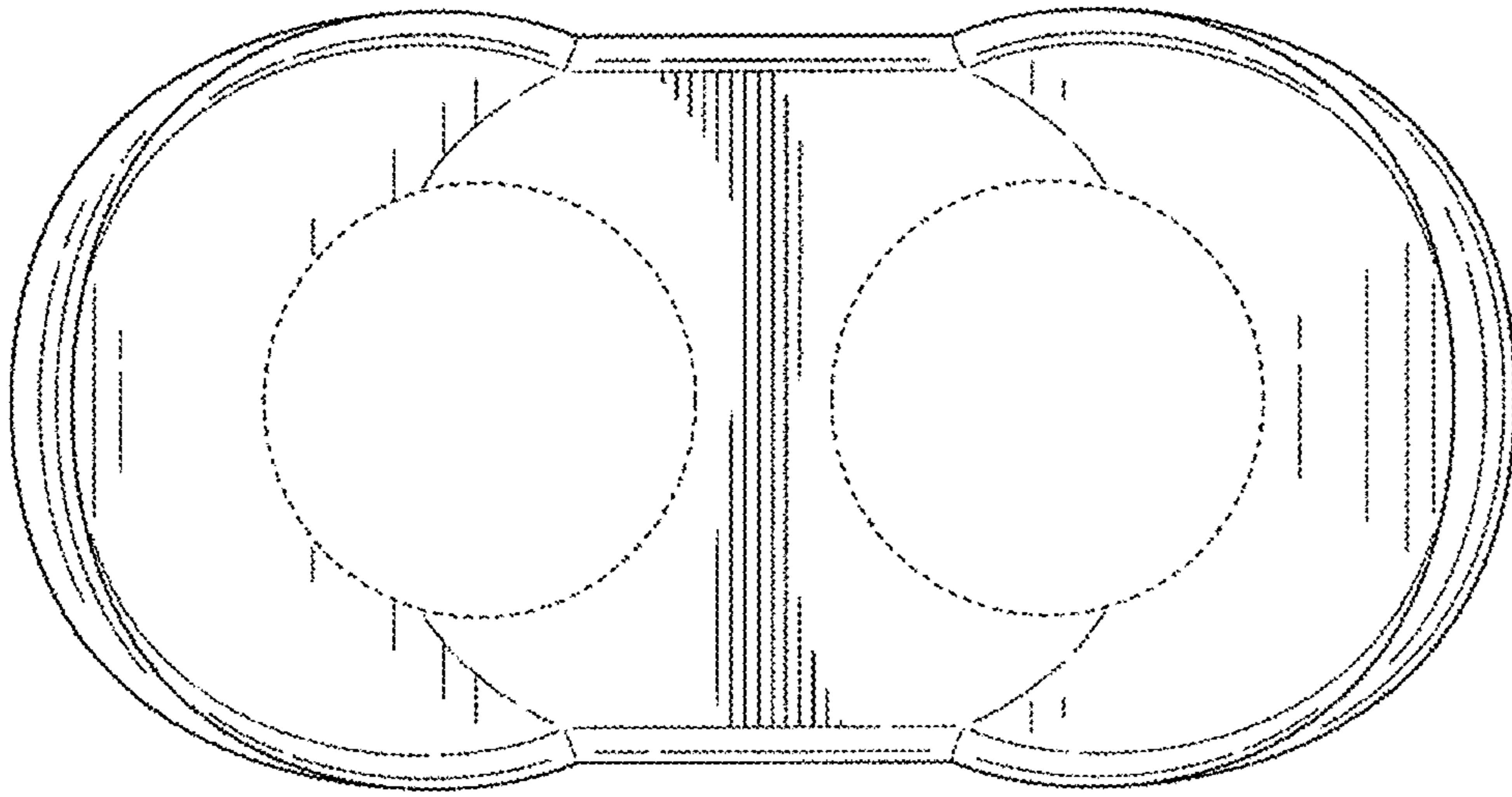


FIG. 2

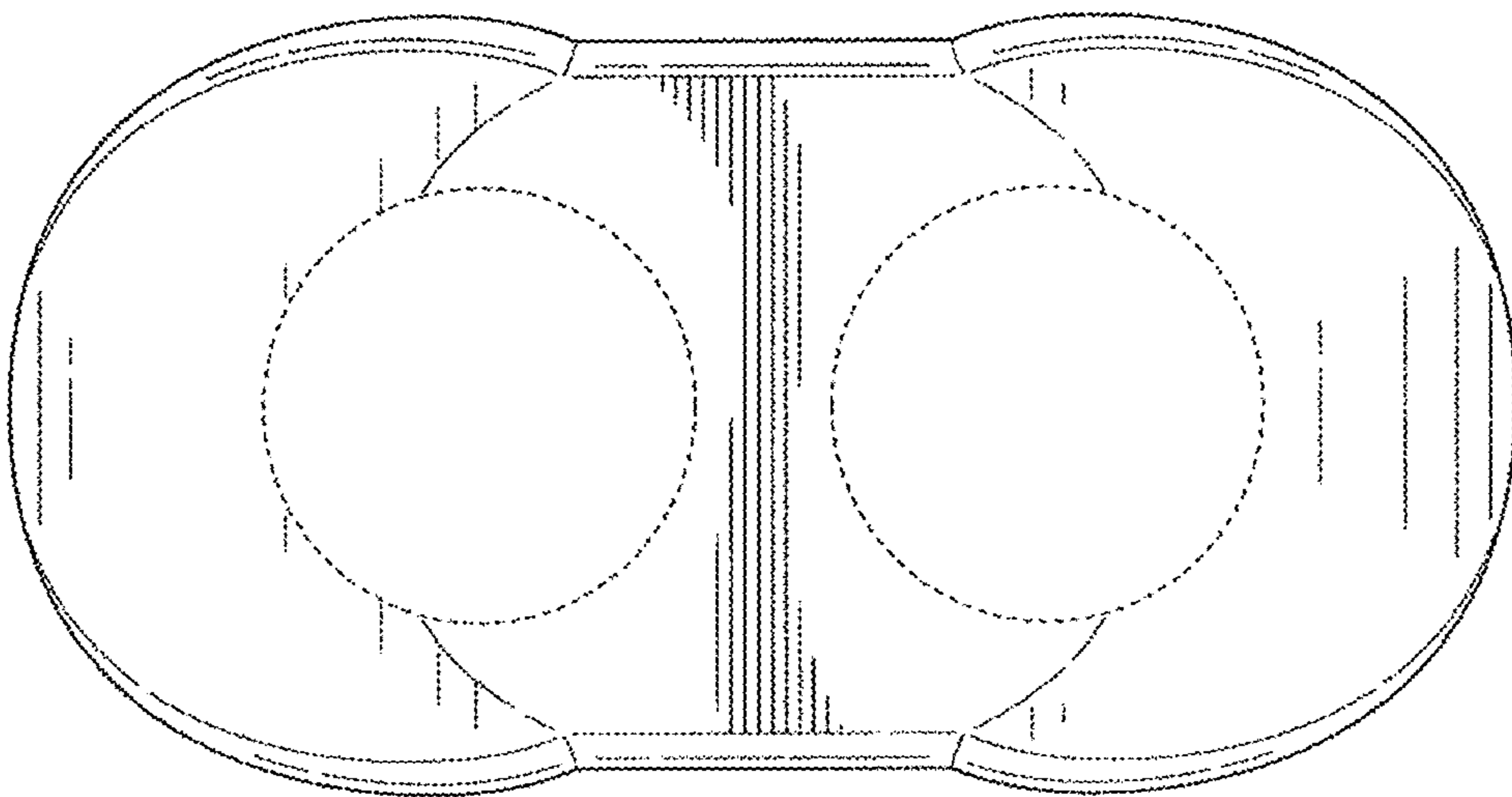


FIG. 3

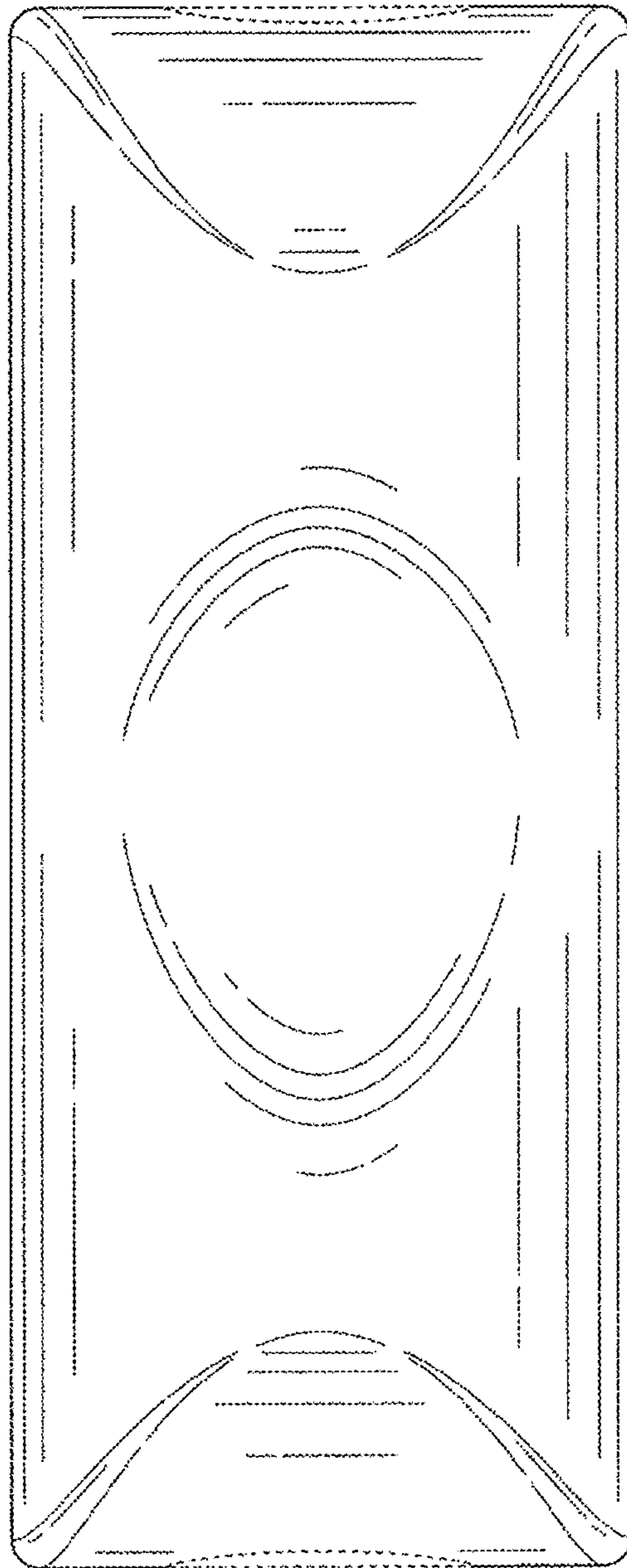


FIG. 4

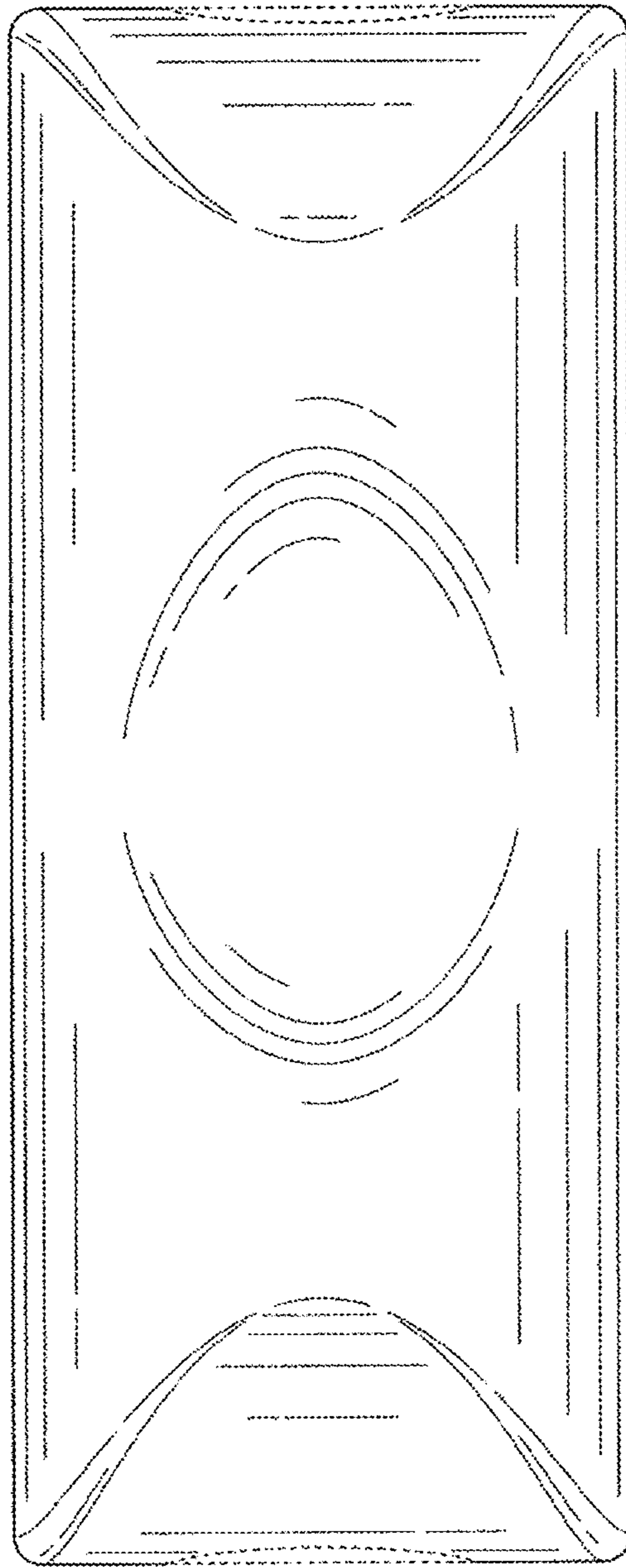


FIG. 5

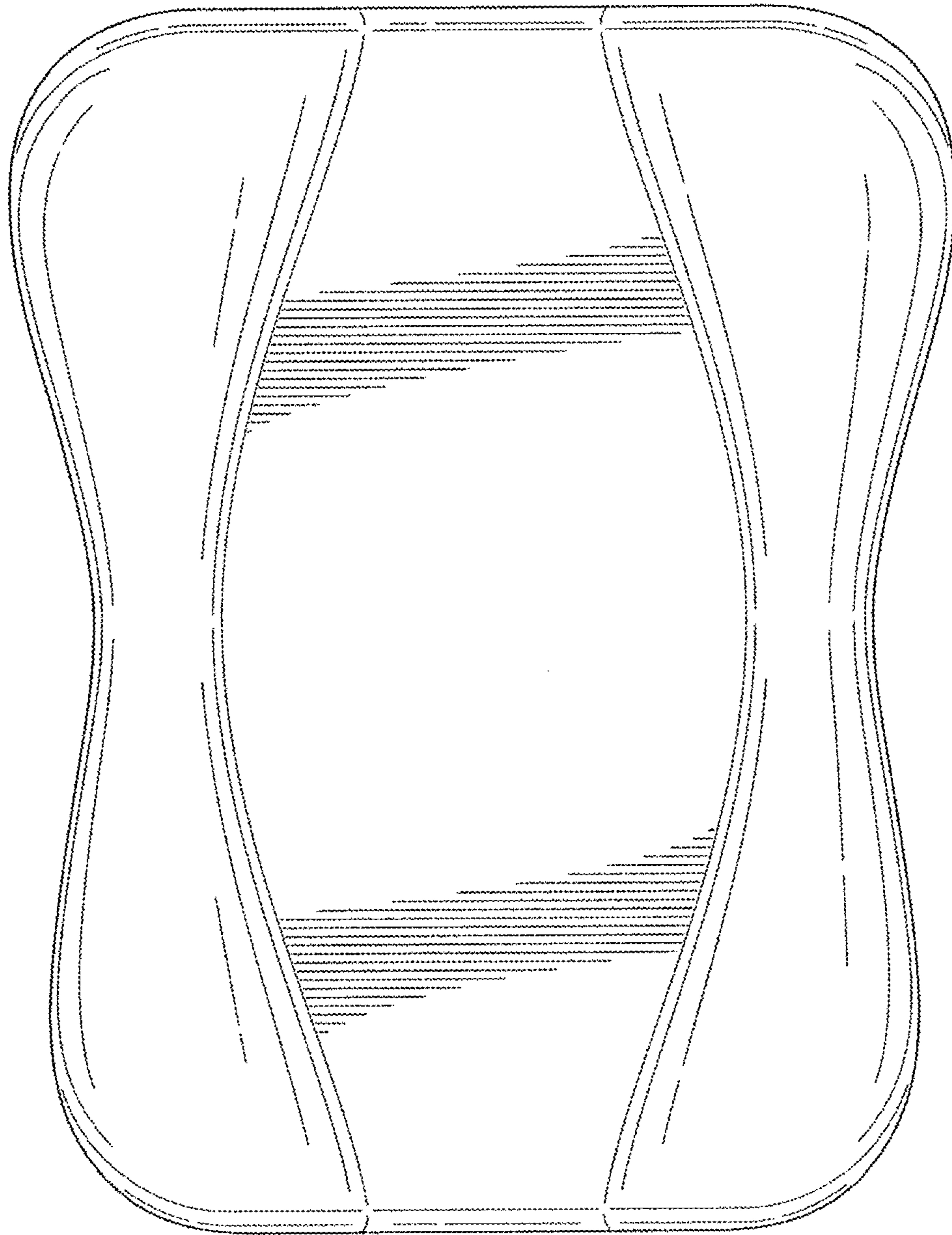


FIG. 6

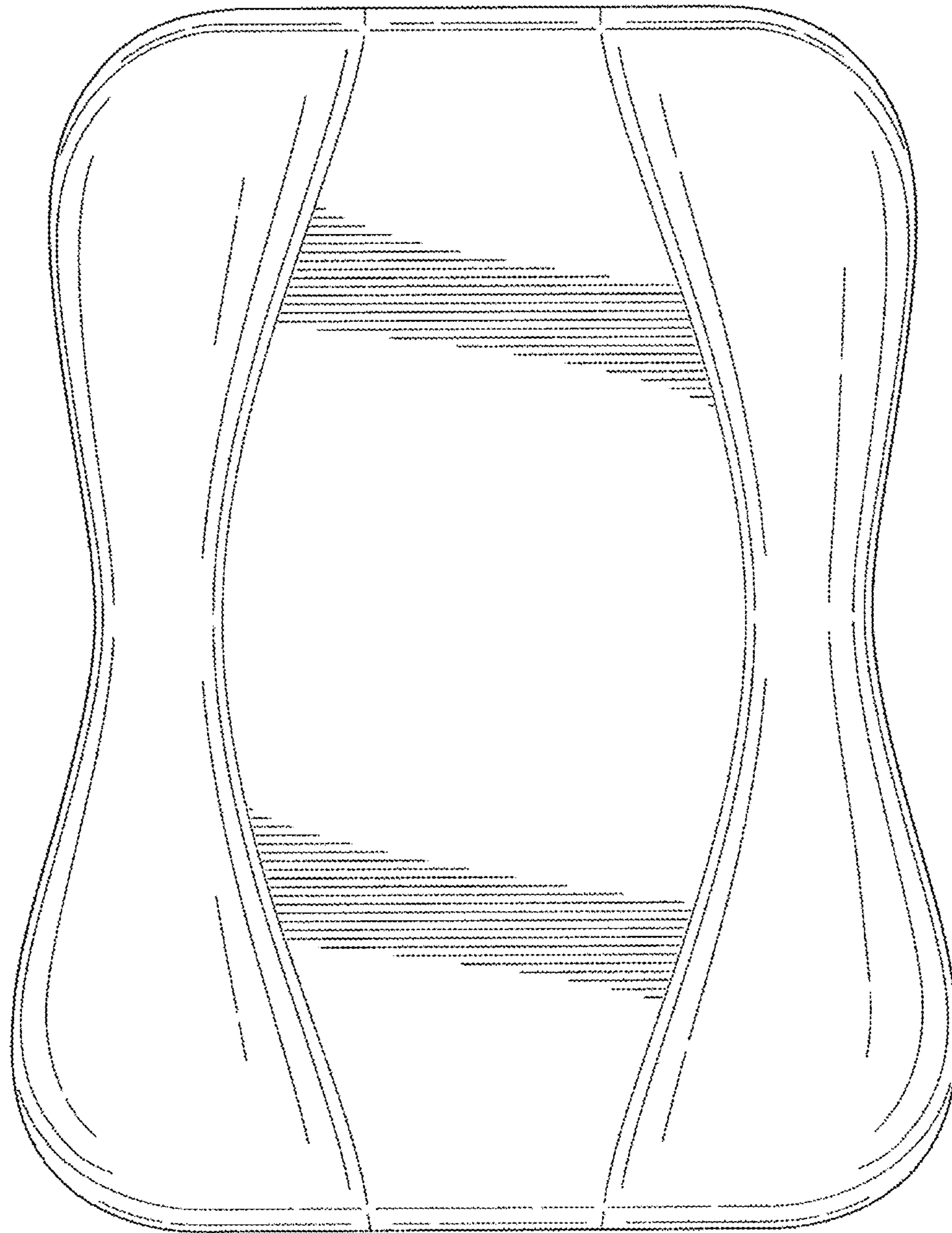


FIG. 7



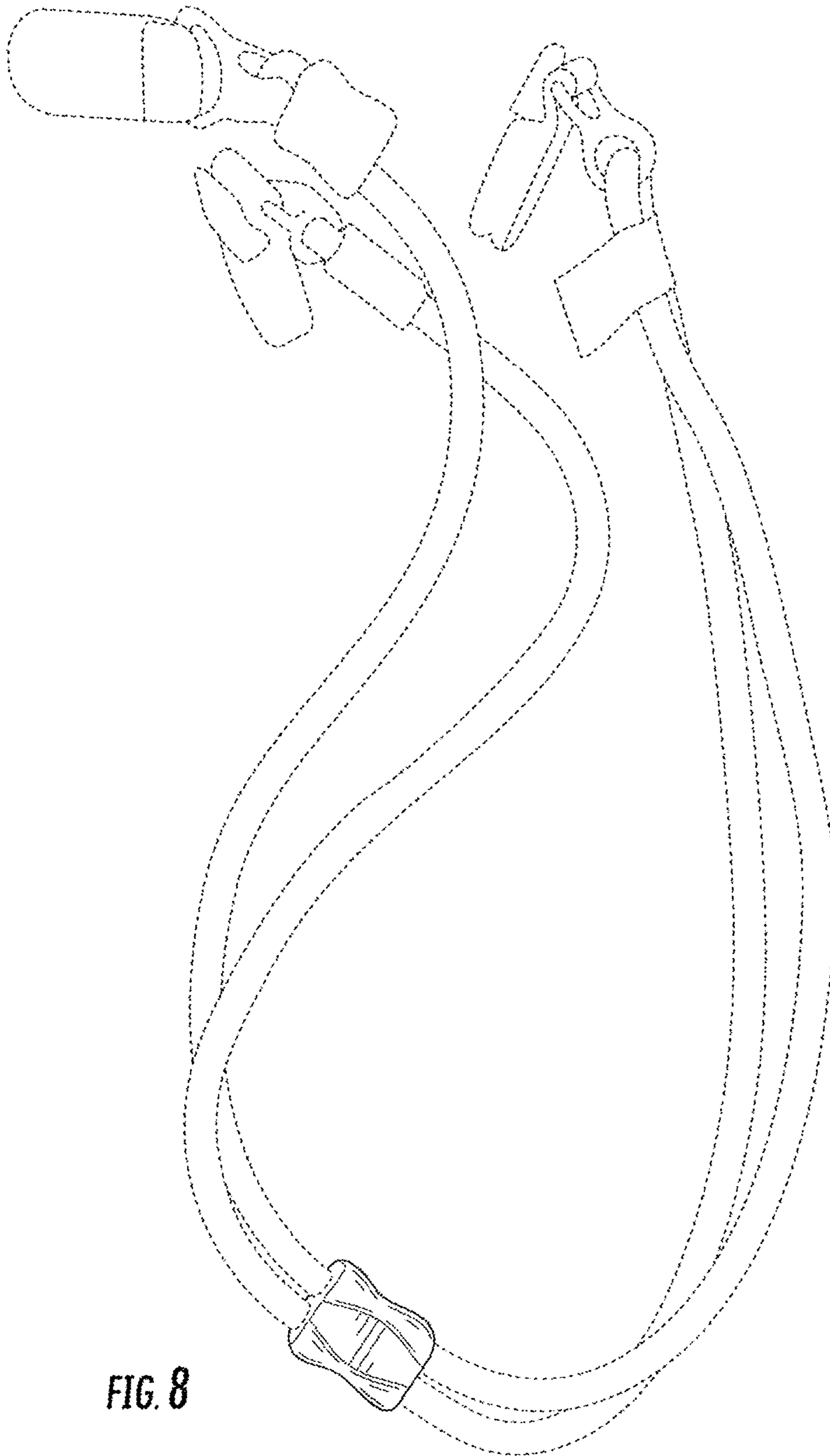


FIG. 8