



US00D819479S

(12) **United States Design Patent**  
**Quinn**

(10) **Patent No.:** **US D819,479 S**  
(45) **Date of Patent:** **\*\* Jun. 5, 2018**

(54) **BRACELET**

(71) Applicant: **Terence Michael Quinn**, Woodbridge, VA (US)

(72) Inventor: **Terence Michael Quinn**, Woodbridge, VA (US)

(\*\*) Term: **15 Years**

(21) Appl. No.: **29/600,541**

(22) Filed: **Apr. 13, 2017**

(51) **LOC (11) Cl.** ..... **11-01**

(52) **U.S. Cl.**  
USPC ..... **D11/4; D11/1**

(58) **Field of Classification Search**  
USPC .... D11/1-26, 34, 91, 92, 93, 86, 79, 75, 76, D11/77, 80, 81, 95, 96, 97  
CPC ..... A44C 9/00; A44C 9/0007; A44C 9/0015; A44C 9/0023; A44C 9/003; A44C 9/0038; A44C 9/0046; A44C 9/0053; A44C 9/0061; A44C 9/0069; A44C 9/0076; A44C 17/02; A44C 17/0208; A44C 5/00; A44C 5/0007; A44C 5/0015; A44C 5/0023; A44C 5/003; A44C 5/0038; A44C 5/0046; A44C 5/0053; A44C 5/0061; A44C 5/0069; A44C 5/0076; A44C 5/0084; A44C 5/0092; A44C 3/00; A44C 3/001; A44C 3/002; A44C 3/004; A44C 3/005; A44C 3/007; A44C 3/008

See application file for complete search history.

(56) **References Cited**

**U.S. PATENT DOCUMENTS**

D129,858 S \* 10/1941 Stoller ..... D11/100  
D130,930 S \* 12/1941 Balcom ..... D11/107

(Continued)

**OTHER PUBLICATIONS**

[Online] <https://www.facebook.com/QuinnsGoldsmith/photos/a.74827855974.77093.56276825974/10154322549130975/?type=3&theater>. Retrieved Jan. 21, 2018. Posted online Jan. 24, 2017.\*

*Primary Examiner* — Melanie Pellegrini

(74) *Attorney, Agent, or Firm* — The Belles Group, P.C.

(57) **CLAIM**

The ornamental design for a bracelet, as shown and described.

**DESCRIPTION**

FIG. 1 is a perspective view of a first embodiment of a bracelet showing my new design;  
FIG. 2 is a front view of the embodiment shown in FIG. 1;  
FIG. 3 is a rear view of the embodiment shown in FIG. 1;  
FIG. 4 is a right side view of the embodiment shown in FIG. 1;  
FIG. 5 is a left side view of the embodiment shown in FIG. 1;  
FIG. 6 is a top view of the embodiment shown in FIG. 1;  
FIG. 7 is a bottom view of the embodiment shown in FIG. 1;  
FIG. 8 is a perspective view of a second embodiment of a bracelet showing my new design;  
FIG. 9 is a front view of the embodiment shown in FIG. 8;  
FIG. 10 is a rear view of the embodiment shown in FIG. 8;  
FIG. 11 is a right side view of the embodiment shown in FIG. 8;  
FIG. 12 is a left side view of the embodiment shown in FIG. 8;  
FIG. 13 is a top view of the embodiment shown in FIG. 8;  
and,  
FIG. 14 is a bottom view of the embodiment shown in FIG. 8.

The broken lines shown in the drawings represent portions of the bracelet which form no part of the claimed design.

**1 Claim, 10 Drawing Sheets**



(56)

**References Cited**

U.S. PATENT DOCUMENTS

D146,112	S *	12/1946	Katz	.....	D11/6
D146,511	S *	3/1947	Lederer	.....	D11/14
D175,119	S *	7/1955	Katz	.....	D11/6
D176,780	S *	1/1956	Kat	.....	D11/14
D177,252	S *	3/1956	Katz	.....	D11/6
D214,155	S *	5/1969	Aigner	.....	D2/976
5,877,742	A *	3/1999	Klink	.....	G06F 19/323 345/685
D442,111	S *	5/2001	Montmigny	.....	D11/80
D463,994	S *	10/2002	Eisen	.....	D11/96
D597,436	S *	8/2009	Bowdish	.....	D11/4
D705,695	S *	5/2014	Wall	.....	D11/93
8,881,990	B2 *	11/2014	Hunt	.....	G06K 19/06037 235/494
D728,384	S *	5/2015	Gomez	.....	D10/32
D765,534	S *	9/2016	Schone	.....	D11/3
D775,535	S *	1/2017	Handa	.....	D10/32
2006/0042139	A1 *	3/2006	Mendes	.....	G09F 3/005 40/633

\* cited by examiner



FIG. 1

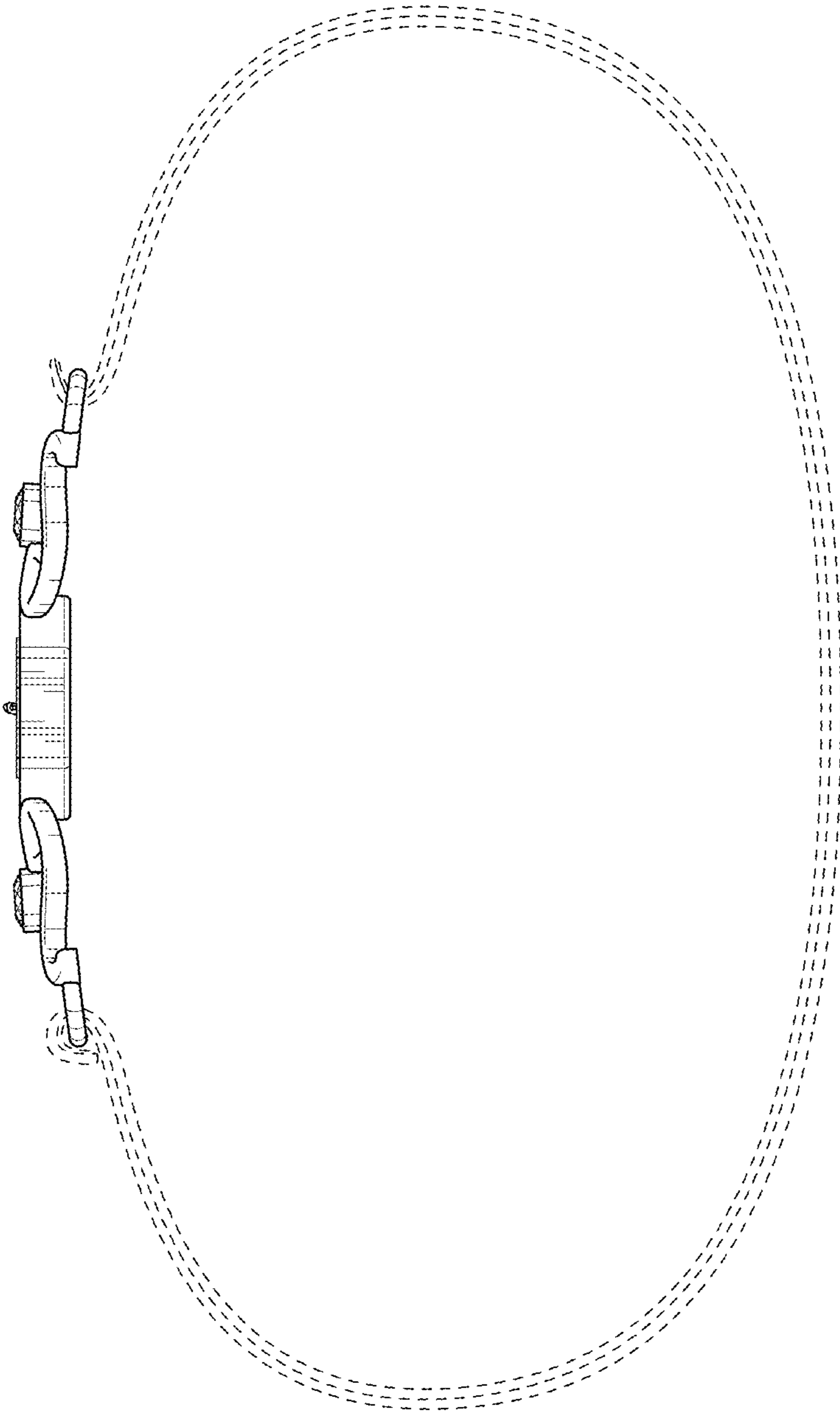


FIG. 2

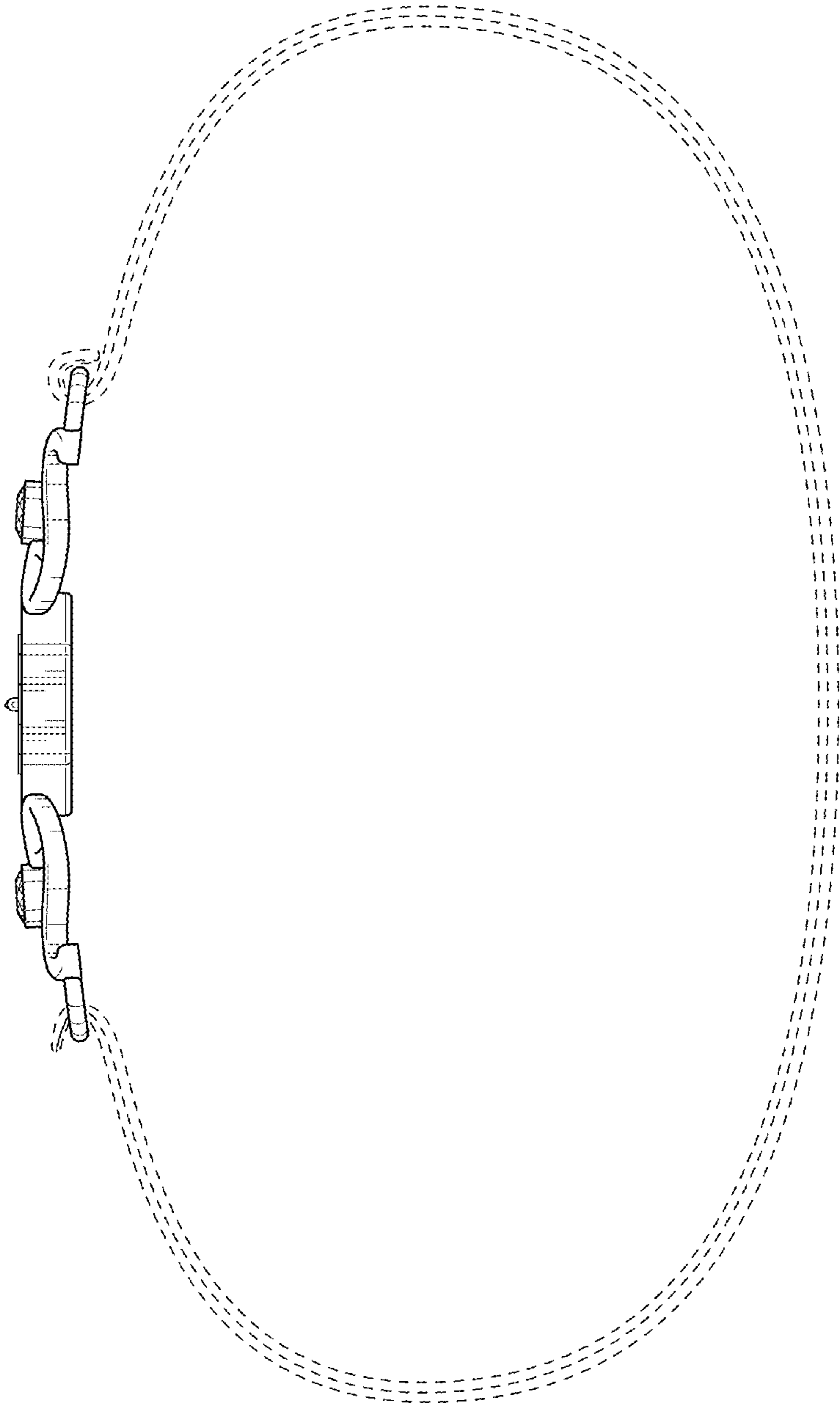


FIG. 3

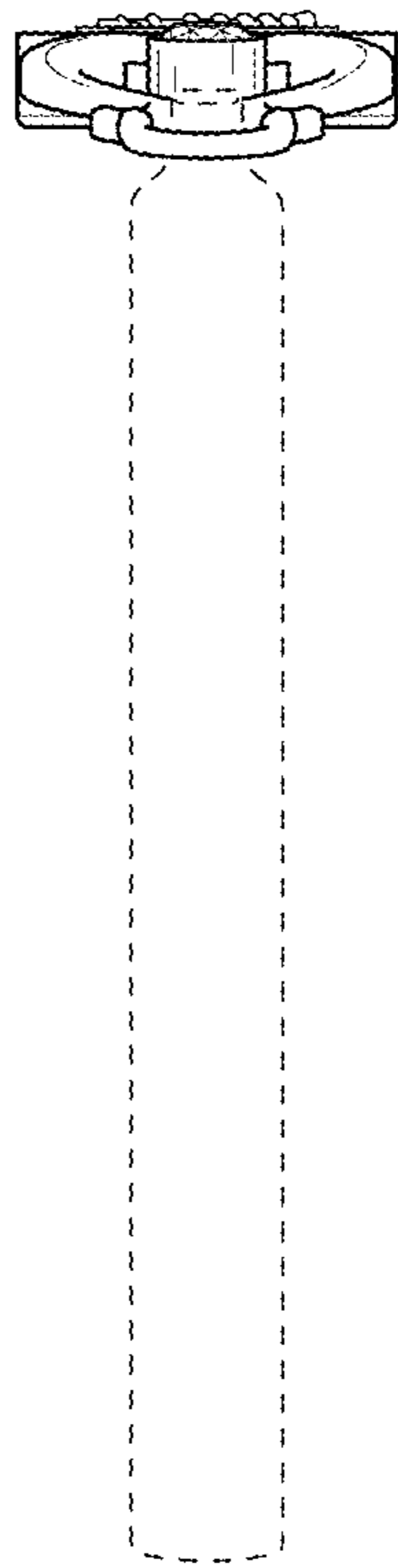


FIG. 4

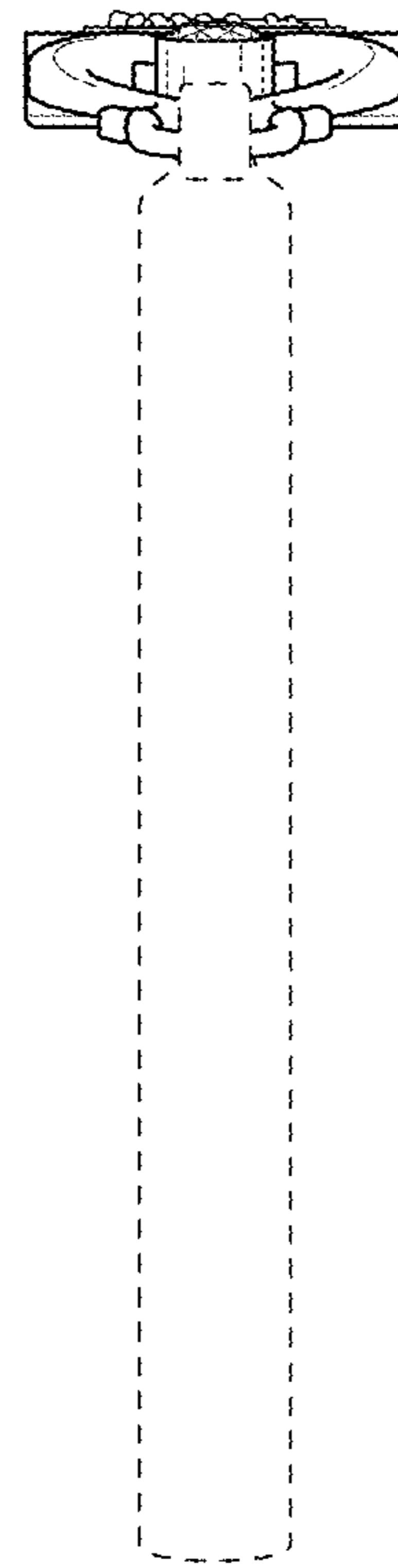


FIG. 5

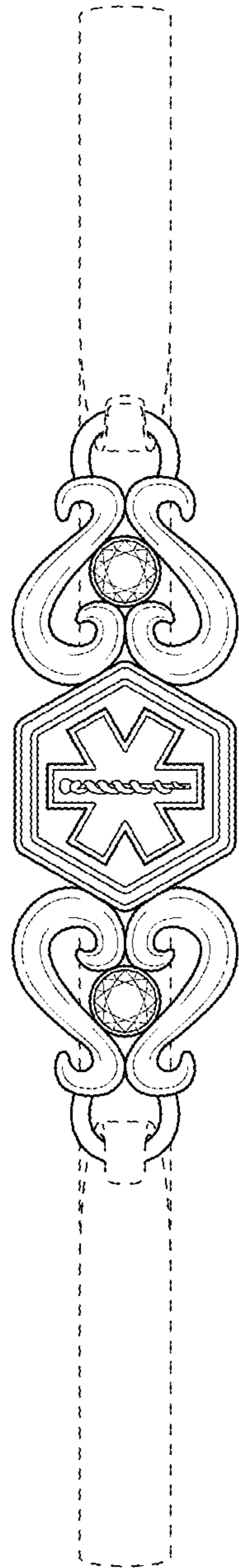


FIG. 6

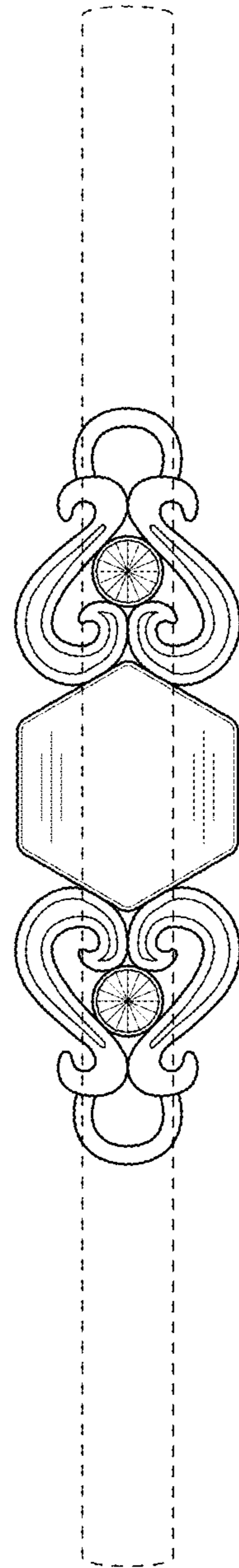


FIG. 7



FIG. 8



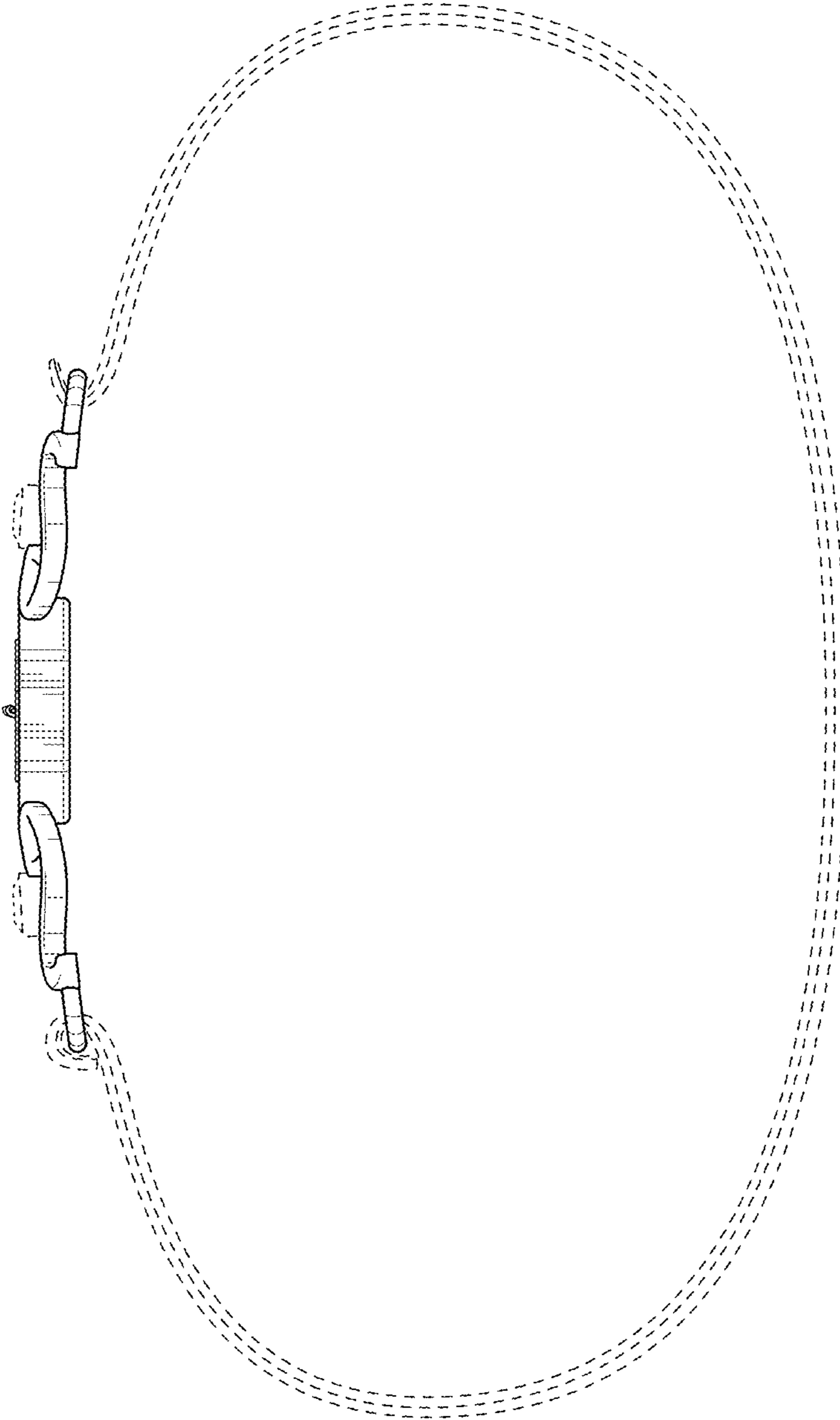


FIG. 9

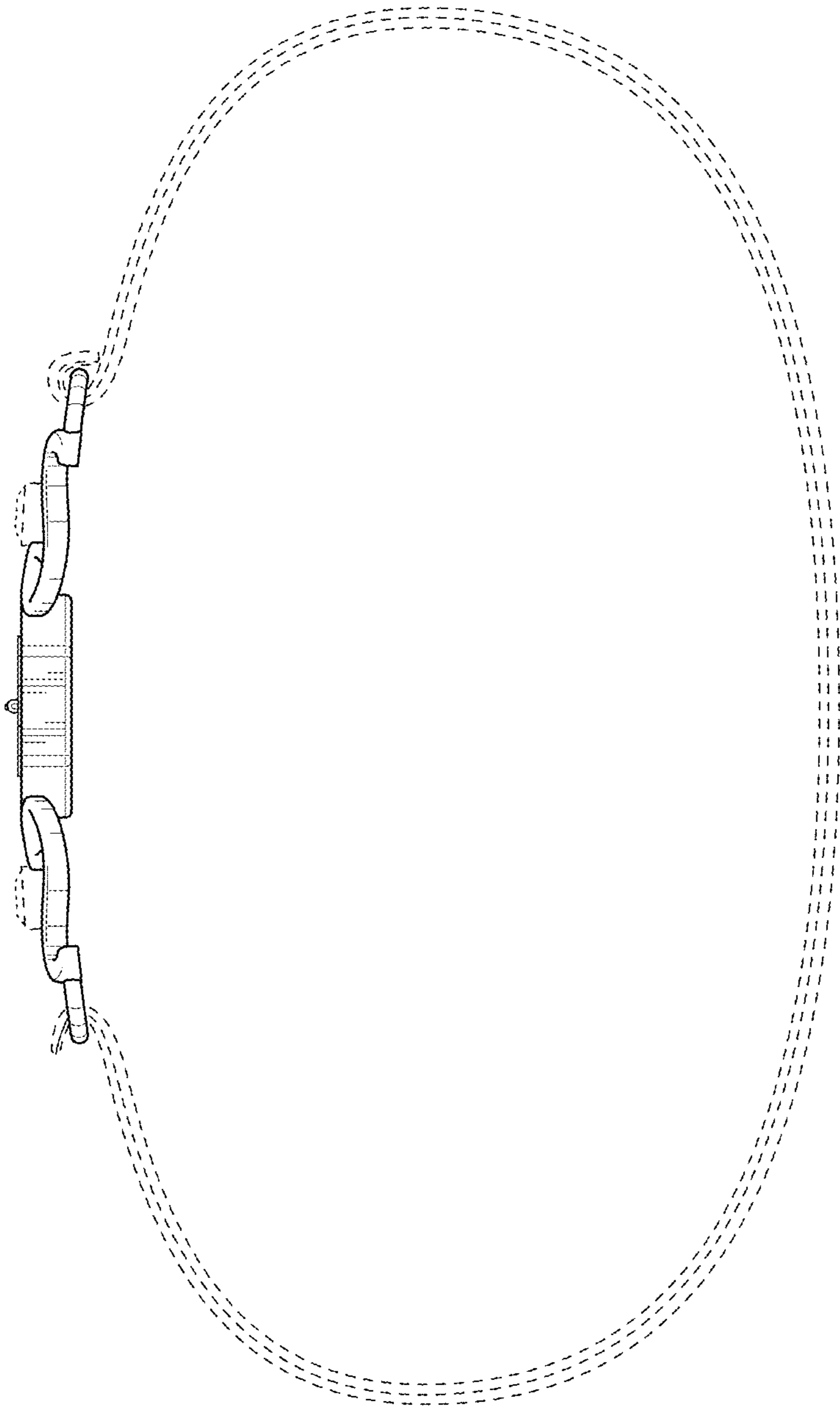


FIG. 10

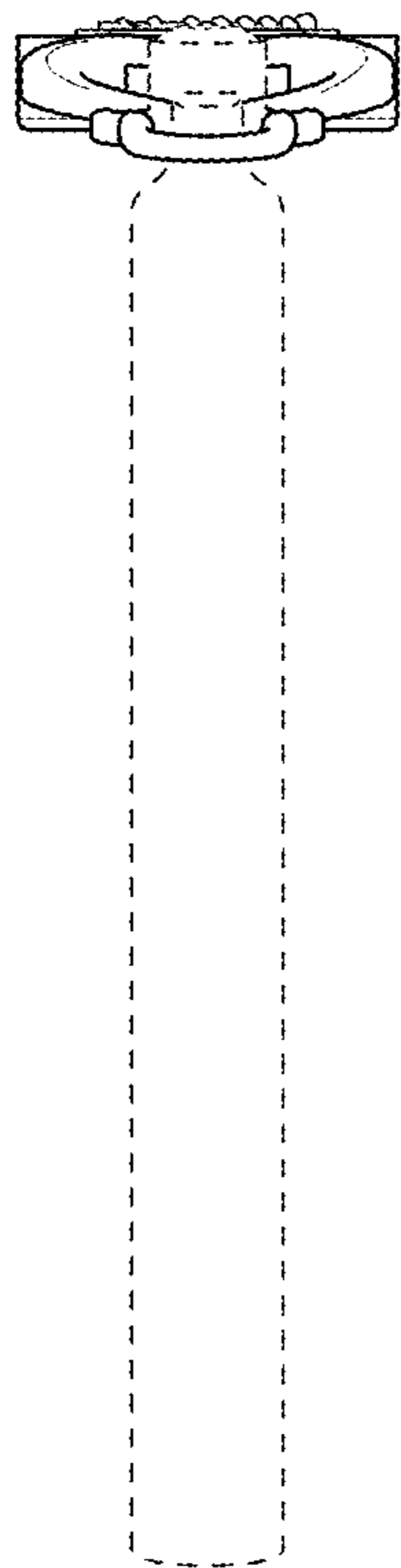


FIG. 11

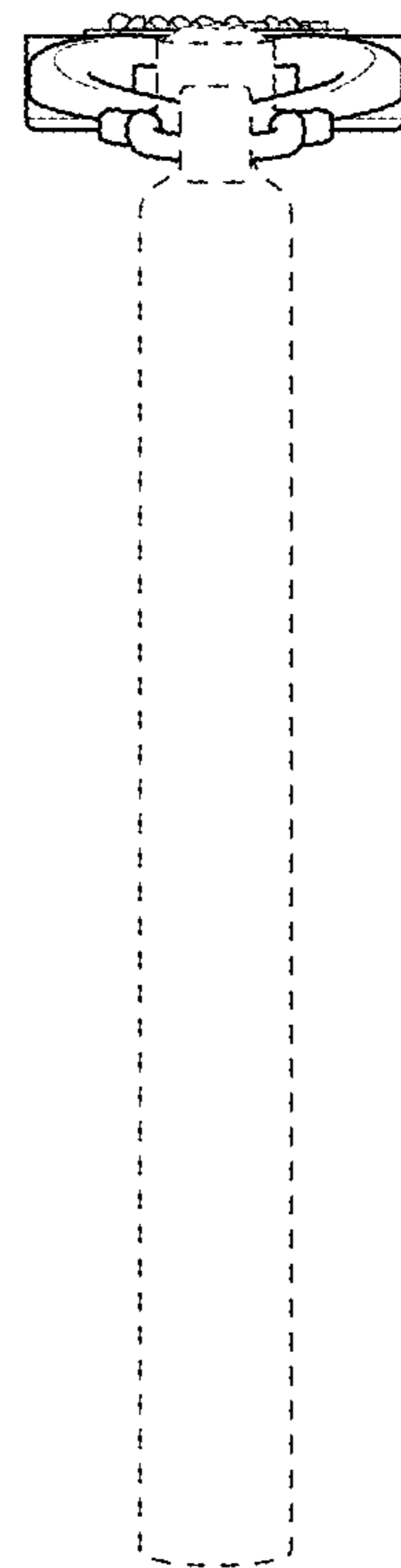


FIG. 12

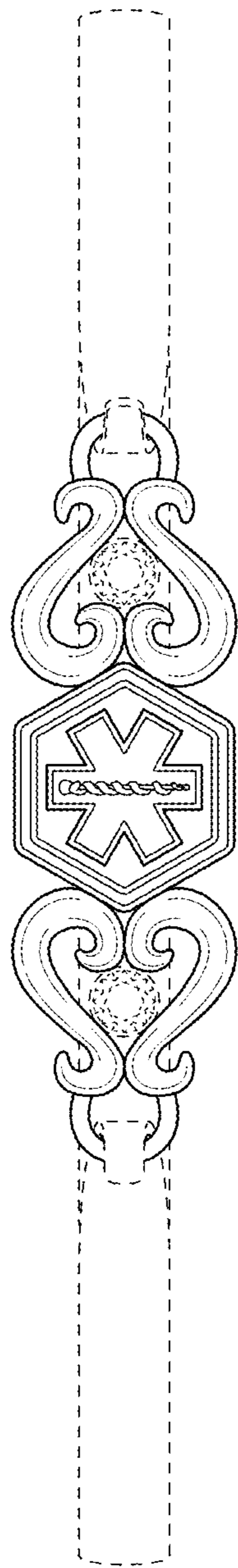


FIG. 13

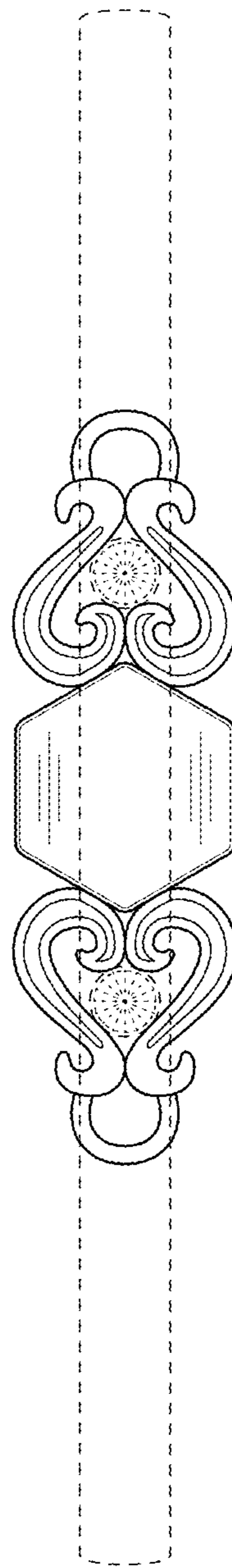


FIG. 14