



US00D819478S

(12) **United States Design Patent** (10) **Patent No.:** **US D819,478 S**
Vinader (45) **Date of Patent:** **** Jun. 5, 2018**

(54) **BRACELET**

- (71) Applicant: **Monica Vinader Ltd.**, Kings Lynn (GB)
- (72) Inventor: **Monica Vinader**, Kings Lynn (GB)
- (73) Assignee: **MONICA VINADER LTD.**, Kings Lynn (GB)
- (**) Term: **15 Years**
- (21) Appl. No.: **29/542,343**
- (22) Filed: **Oct. 13, 2015**
- (51) **LOC (11) Cl.** **11-01**
- (52) **U.S. Cl.**
USPC **D11/4**
- (58) **Field of Classification Search**
USPC D11/1-48
CPC . A44C 15/005; A44C 15/0015; A44C 15/001;
A44C 15/0035; A44C 25/001; A44C 25/00; A44C 25/005; A44C 5/00; A44C 5/0015; A44C 5/0007; A44C 5/0084; A44C 5/12; A44C 5/142066; A44C 5/2076; A44C 13/00; A44C 11/002; A44C 9/00; A44C 9/003; A44C 9/0046; A44C 17/0233; A44C 17/04; A44C 27/006; A44C 7/00; A44C 7/002; A44C 23/00; A44D 2205/00
See application file for complete search history.

(56) **References Cited**

U.S. PATENT DOCUMENTS

1,616,215	A *	2/1927	Chilson	A44C 5/145 63/3
D126,425	S *	4/1941	Bell	D11/4
D405,381	S *	2/1999	Perrin	D11/4
D463,307	S *	9/2002	Charriol	D11/3
D573,055	S *	7/2008	Galloway	D11/5

(Continued)

OTHER PUBLICATIONS

Monica Vinader website, published on Jun. 24, 2015, online. Visited Sep. 29, 2016. Internet URL:<“https://web.archive.org/web/20150624191205/http://www.monicavinader.com/us/newsletters/index”>.*

(Continued)

Primary Examiner — Cynthia Ramirez
Assistant Examiner — L. Martinez-Rivera
(74) *Attorney, Agent, or Firm* — Howard & Howard Attorneys PLLC

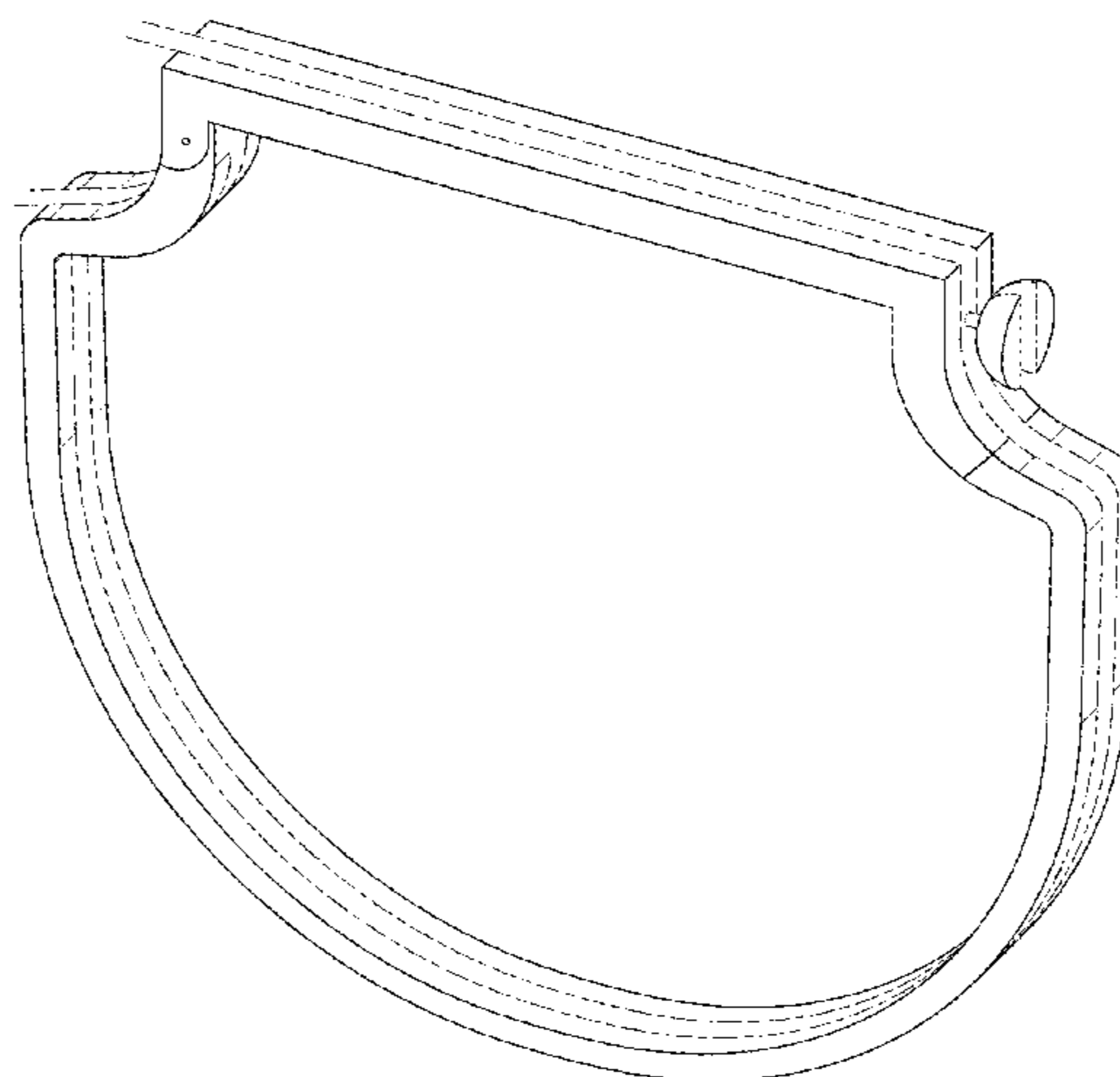
(57) **CLAIM**

I claim the ornamental design for a bracelet, as shown and described.

DESCRIPTION

FIG. 1 is a perspective view of a first embodiment of a bracelet showing my new design;
 FIG. 2 is a front elevation view thereof;
 FIG. 3 is a rear elevation view thereof;
 FIG. 4 is a side elevation view thereof;
 FIG. 5 is an opposite side elevation view thereof;
 FIG. 6 is a top plan view thereof;
 FIG. 7 is a bottom plan view thereof;
 FIG. 8 is a perspective view of a second embodiment of a bracelet showing my new design;
 FIG. 9 is a front elevation view thereof;
 FIG. 10 is a rear elevation view thereof;
 FIG. 11 is a side elevation view thereof;
 FIG. 12 is an opposite side elevation view thereof;
 FIG. 13 is a top plan view thereof; and,
 FIG. 14 is a bottom plan view thereof.
 The evenly spaced broken lines in FIGS. 8 through 10 and 13 represent portions of the bracelet that form no part of the claimed design.
 The bracelet is shown with a symbolic break in its length. The appearance of any portion of the bracelet between the dash-dot-dash break lines forms no part of the claimed design.

1 Claim, 14 Drawing Sheets



(56)

References Cited

U.S. PATENT DOCUMENTS

D655,637 S * 3/2012 Calderone D11/3
D704,588 S * 5/2014 DiPietro D11/27
D720,642 S * 1/2015 Coin D11/3

OTHER PUBLICATIONS

Cuff Love Bangle Fuses Curves With Geometric Accuracy, Rapnet.com, published Oct. 22, 2014, online. Visited Sep. 30, 2016. Internet URL:<"http://member.rapnet.com/news/NewsItem.aspx?ArticleID=48328">.*

A sophisticated way to sparkle, published on Apr. 26, 2015, online. Visited Sep. 30, 2016. Internet URL:<"https://web.archive.org/web/20150426144141/https://www.joyus.com/accessories/1-2734/a-sophisticated-way-to-sparkle-hosted-by-zoe-ruderman">.*

* cited by examiner

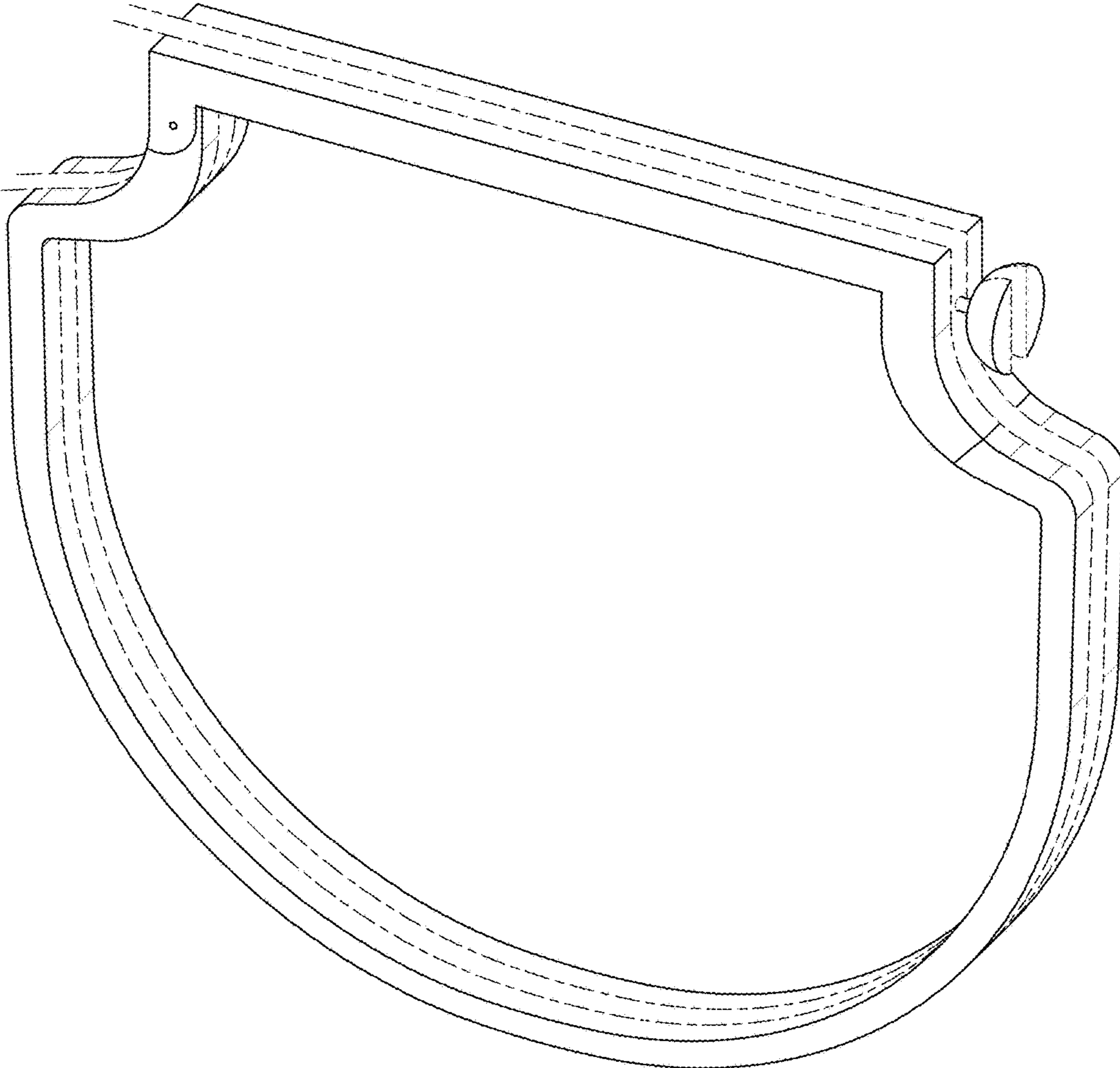


FIG. 1

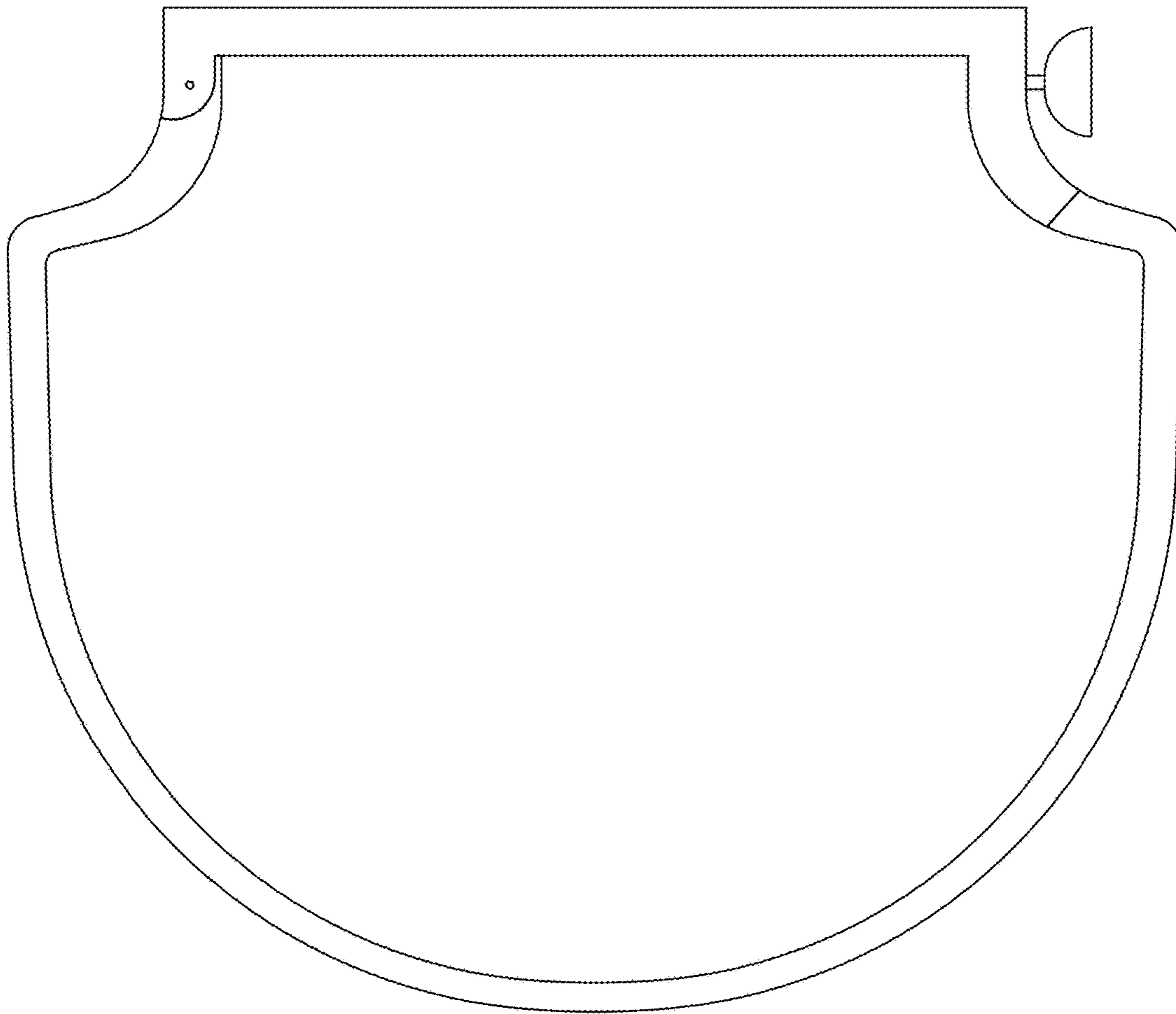


FIG. 2

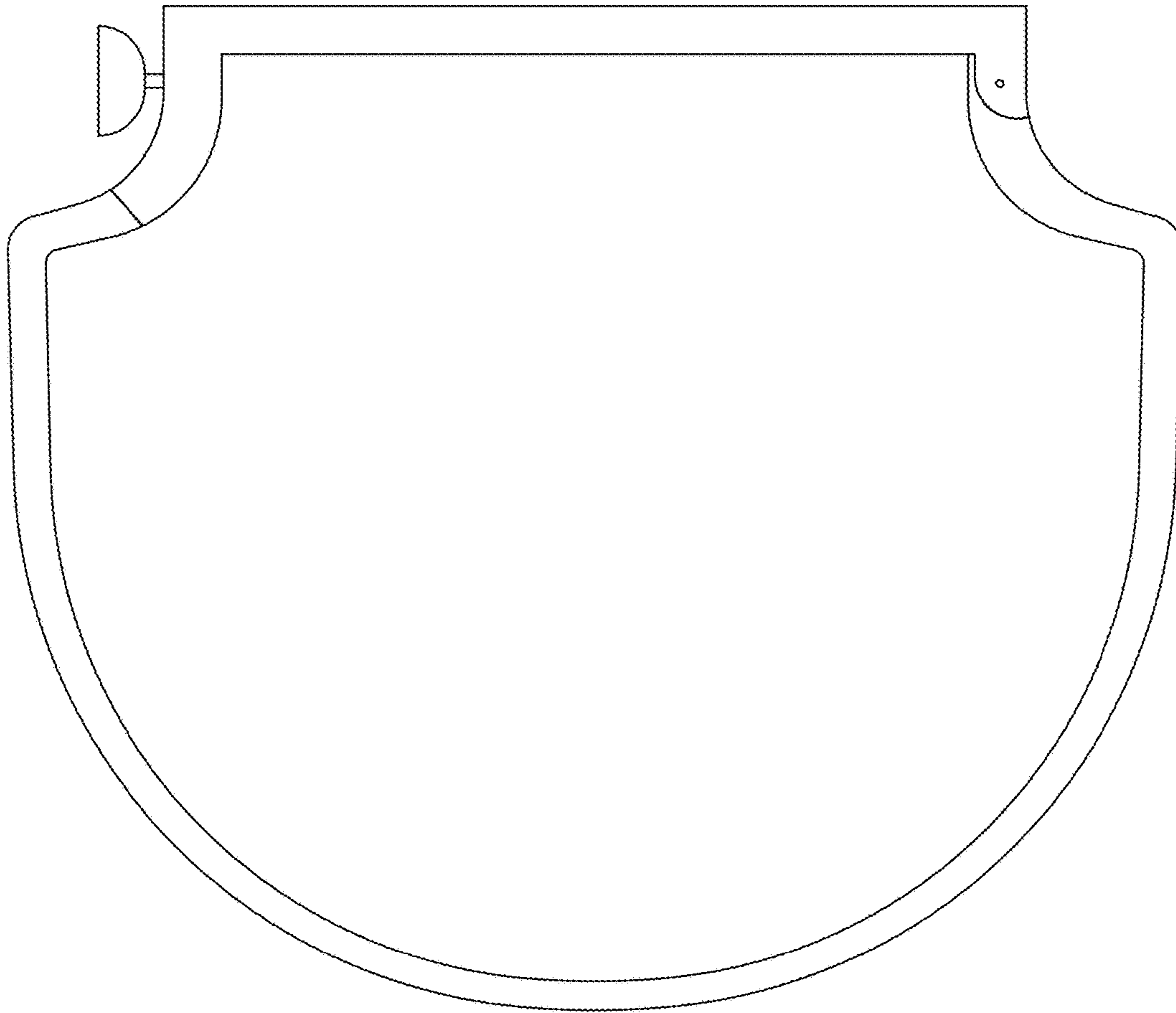


FIG. 3

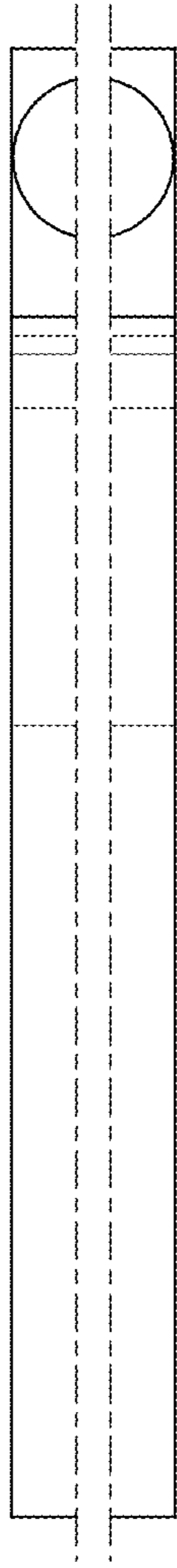


FIG. 4

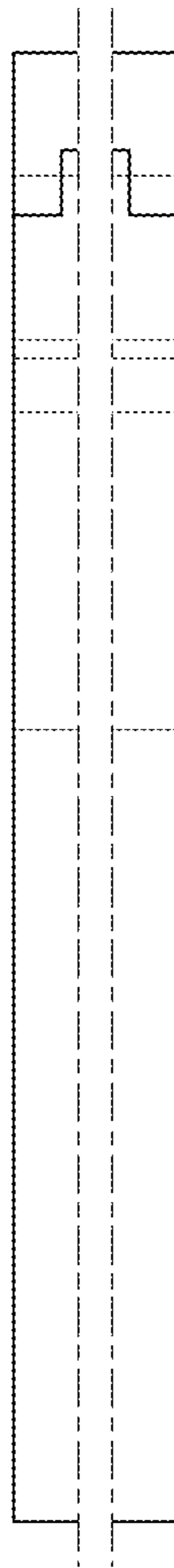


FIG. 5

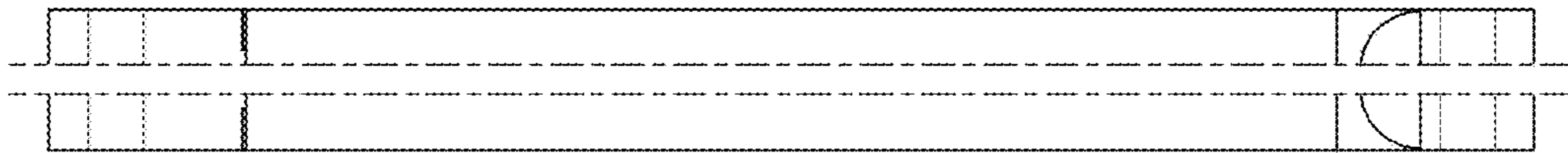


FIG. 6

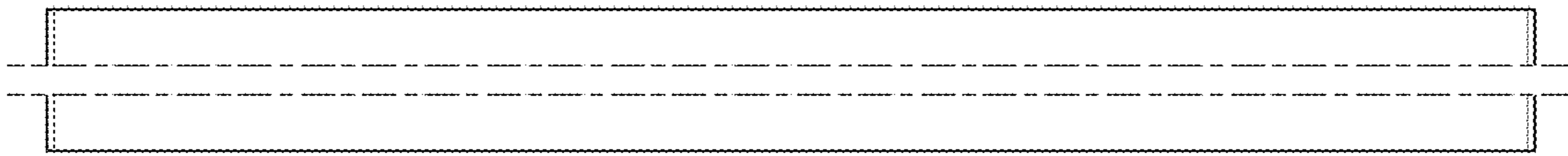


FIG. 7

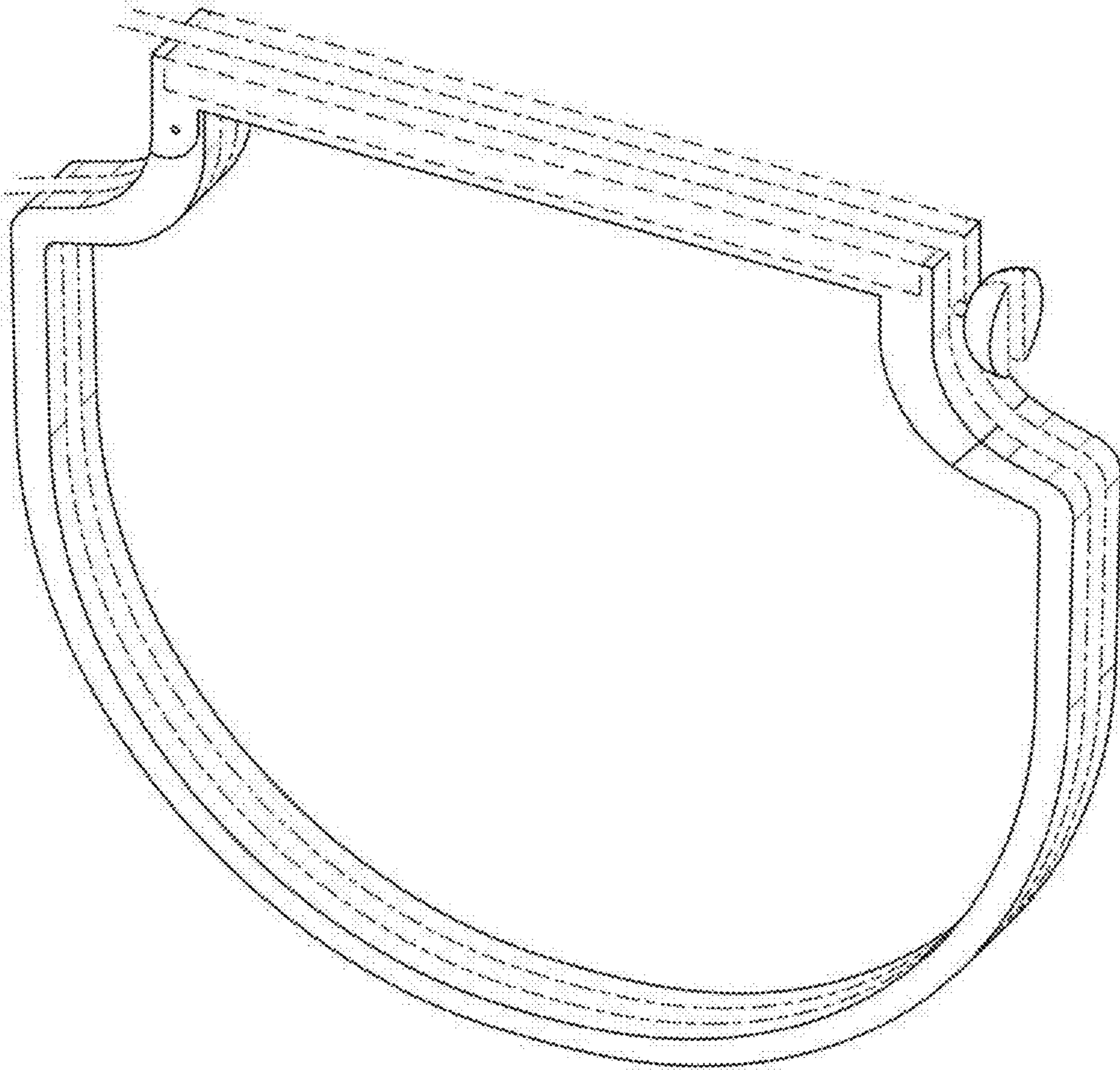


FIG. 8

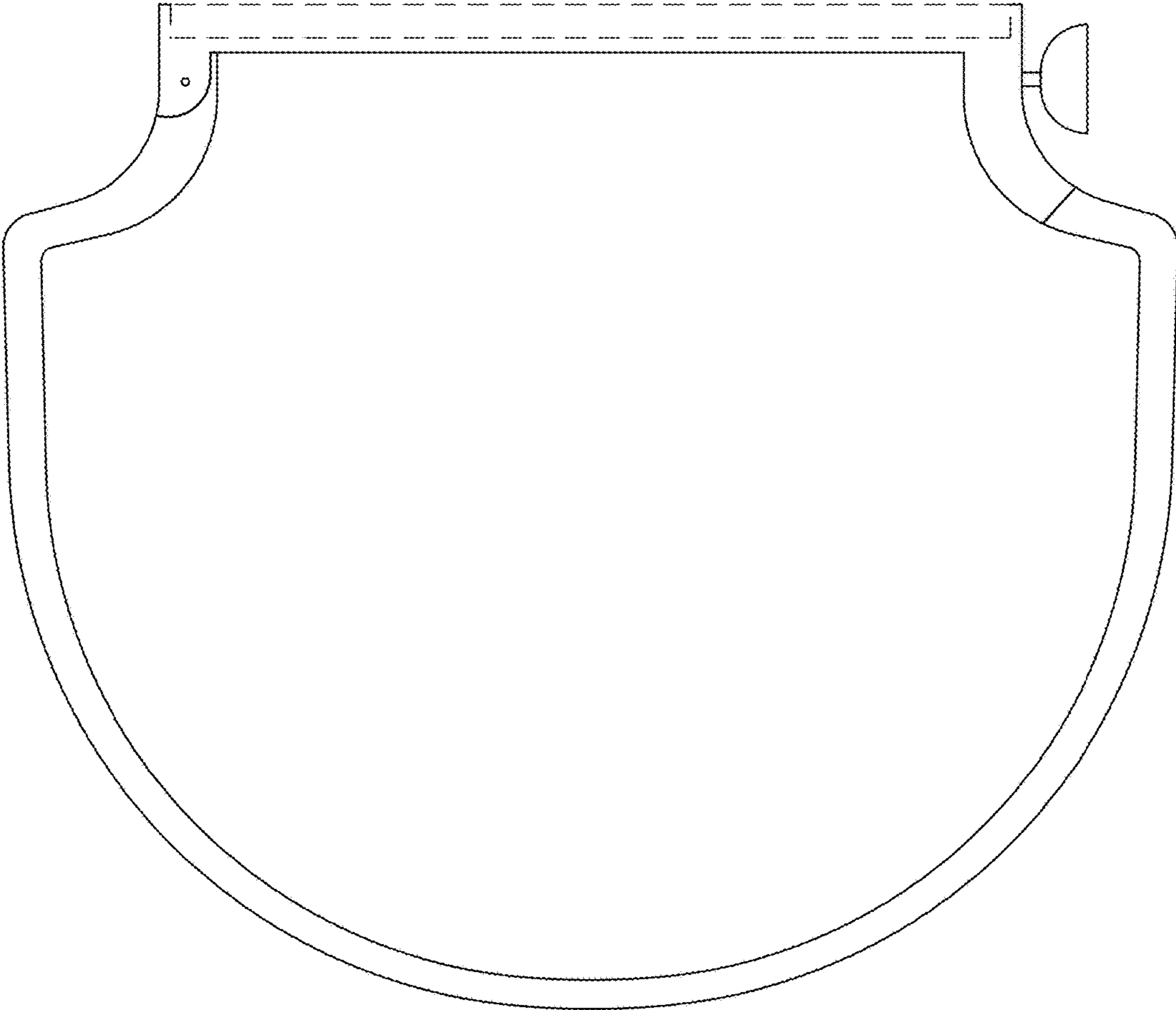


FIG. 9

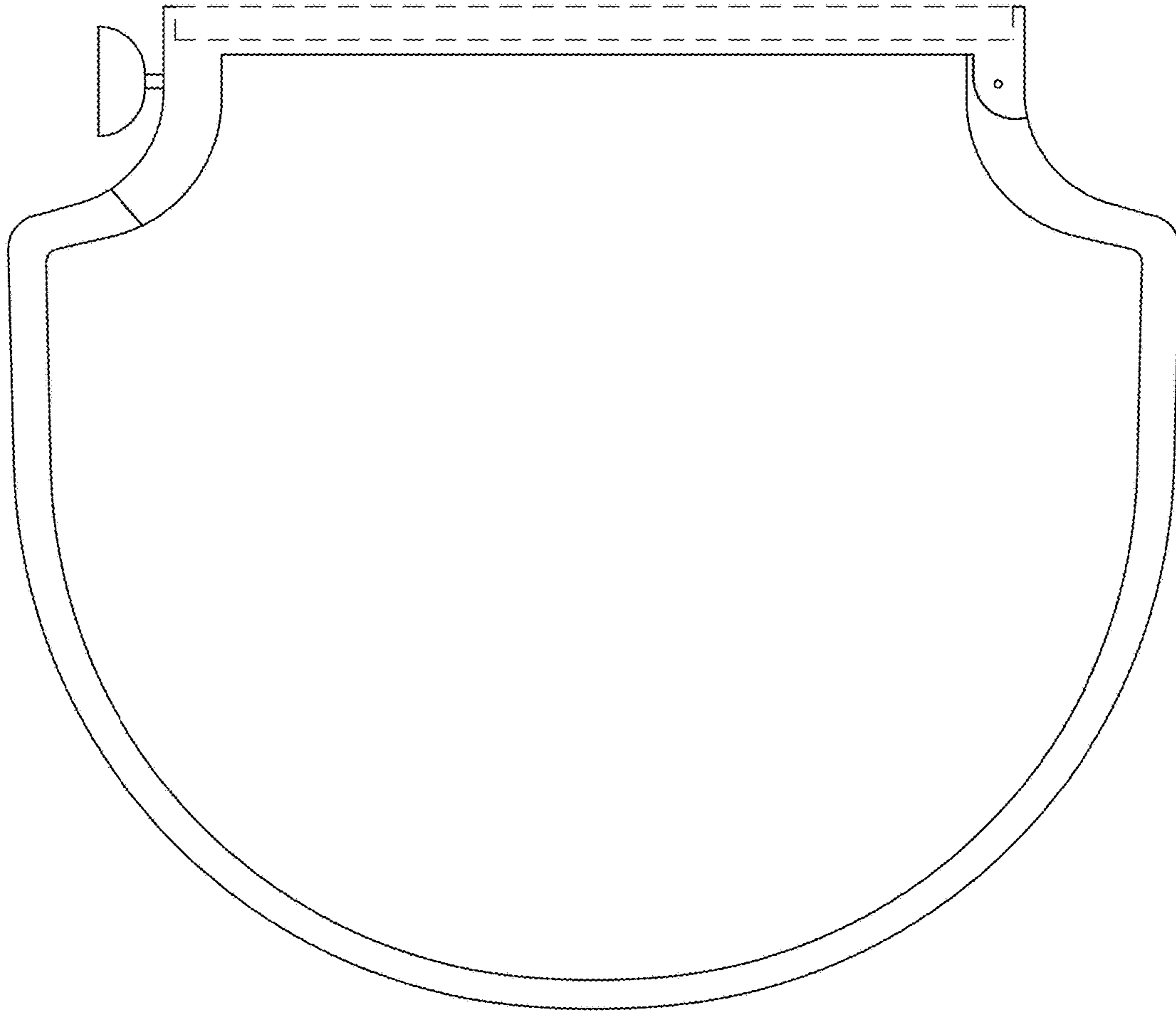


FIG. 10

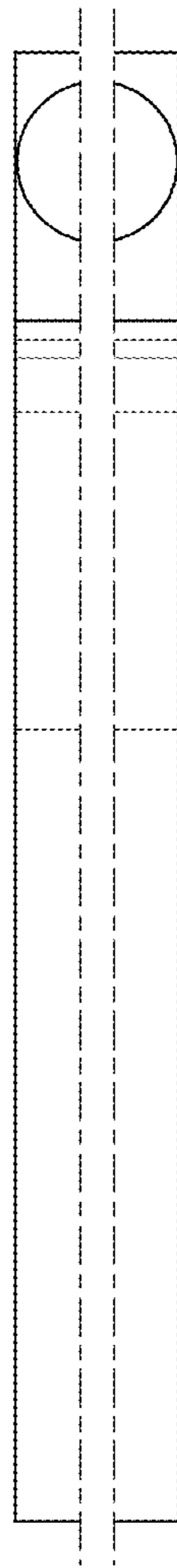


FIG. 11

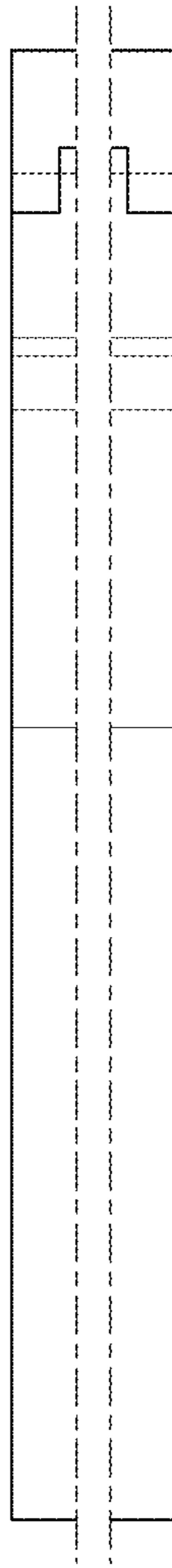


FIG. 12

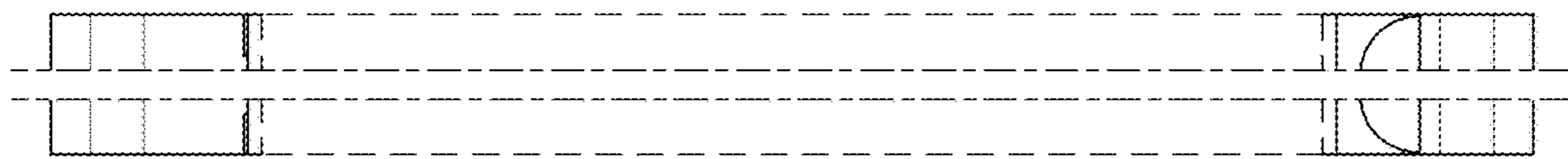


FIG. 13

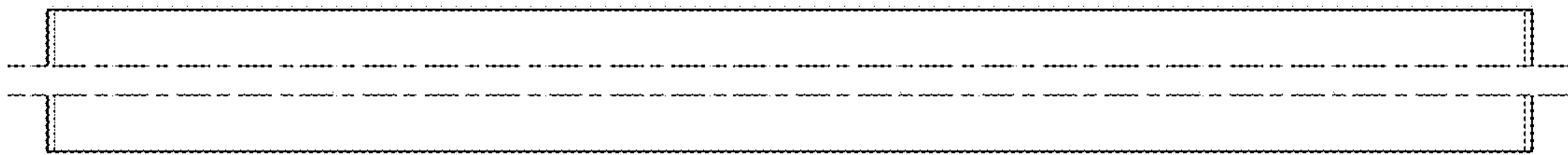


FIG. 14