



US00D819475S

(12) **United States Design Patent** (10) **Patent No.:** **US D819,475 S**
Kim (45) **Date of Patent:** **** Jun. 5, 2018**

(54) EMERGENCY LIGHT	6,741,324 B1 * 5/2004 Kim G09F 19/22 362/235
(71) Applicant: II Kim , Corona, CA (US)	D493,243 S * 7/2004 Burnet D26/63
(72) Inventor: II Kim , Corona, CA (US)	D507,373 S * 7/2005 Kim D10/111
(**) Term: 15 Years	D532,918 S * 11/2006 Lay D26/80
(21) Appl. No.: 29/594,965	7,182,487 B1 * 2/2007 Pickard F21S 9/022 174/535
(22) Filed: Feb. 23, 2017	7,220,014 B2 * 5/2007 Lay F21S 9/022 307/326
	D547,222 S * 7/2007 Wilson D10/106.7
	D626,443 S * 11/2010 Yu D10/114.2
	D660,491 S * 5/2012 Holscher D26/63

* cited by examiner

Related U.S. Application Data

(63) Continuation-in-part of application No. 29/580,256, filed on Oct. 6, 2016, now Pat. No. Des. 815,692, which is a continuation-in-part of application No. 29/580,249, filed on Oct. 6, 2016, now Pat. No. Des. 815,207.

(51) **LOC (11) Cl.** **10-05**
(52) **U.S. Cl.**
USPC **D10/114.1**
(58) **Field of Classification Search**
USPC D10/106.7, 111, 114.2; D26/80, 63
CPC F21S 9/022; G09F 19/22
See application file for complete search history.

(56) **References Cited**

U.S. PATENT DOCUMENTS

D264,253 S *	5/1982	Goldschmidt	D26/63
D400,995 S *	11/1998	LaRosa	D26/63
D419,708 S *	1/2000	LaRosa	D26/63
6,019,477 A *	2/2000	Wegrzyn	F21S 9/022 362/20
6,142,649 A *	11/2000	Beghelli	F21S 9/022 362/259
6,193,395 B1 *	2/2001	Logan	F21S 9/022 362/269
D473,672 S *	4/2003	Lay	D26/80

Primary Examiner — George D. Kirschbaum

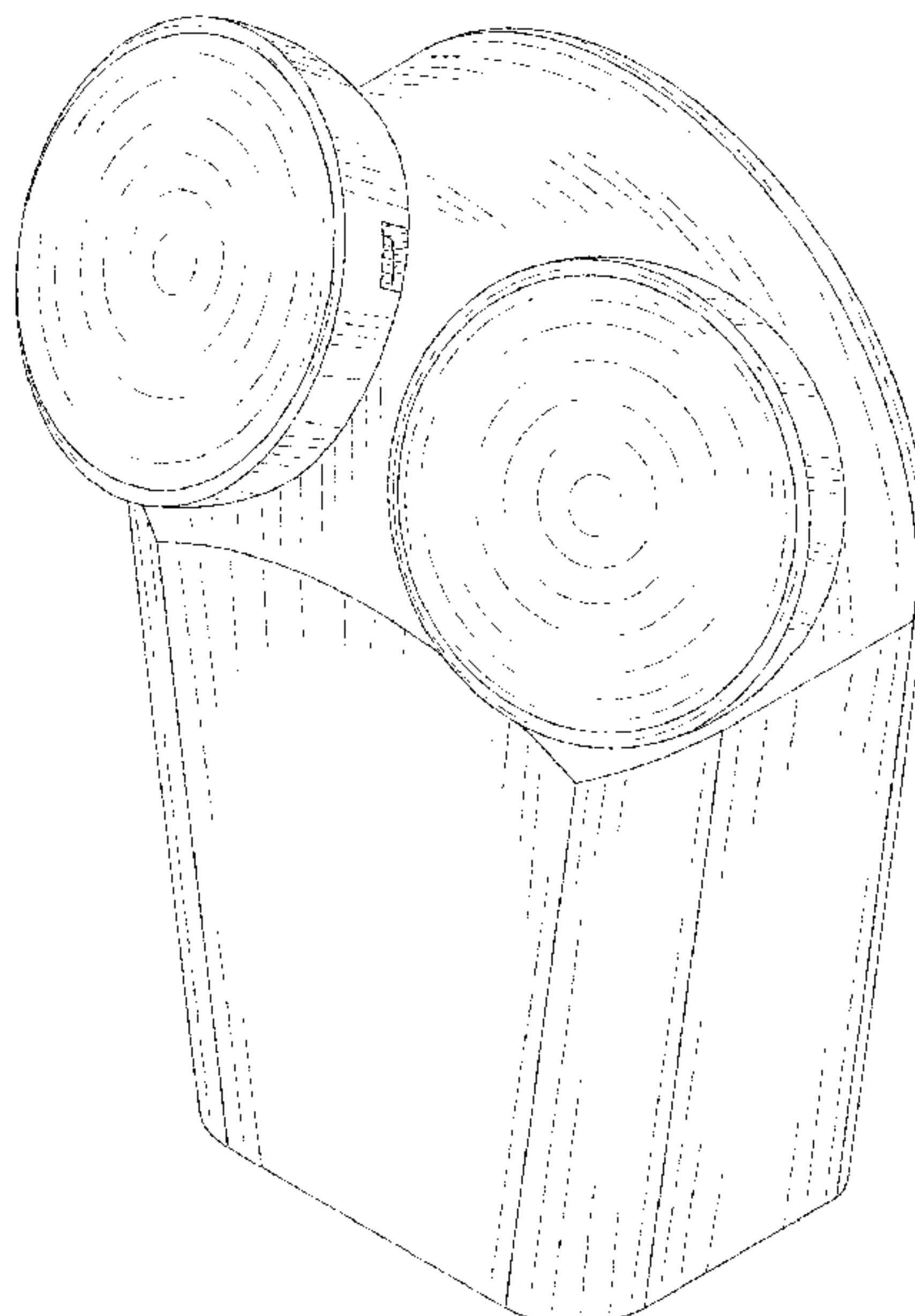
(57) **CLAIM**

The ornamental design for an emergency light, as shown and described.

DESCRIPTION

FIG. 1 is a top right perspective view of an emergency light showing our new design;
FIG. 2 is a top left perspective view thereof;
FIG. 3 is a bottom left perspective view thereof;
FIG. 4 is a front view thereof;
FIG. 5 is a back view thereof;
FIG. 6 is a top view thereof;
FIG. 7 is a bottom view thereof;
FIG. 8 is a left view thereof;
FIG. 9 is a right view thereof;
FIG. 10 is a top right perspective view of an emergency light with lights arranged in a different direction; and,
FIG. 11 is a front view thereof.
The broken line showing of the switch and input in FIGS. 2-8 and 11 is included for the purpose of showing environmental structure and forms no part of the claimed design.

1 Claim, 11 Drawing Sheets



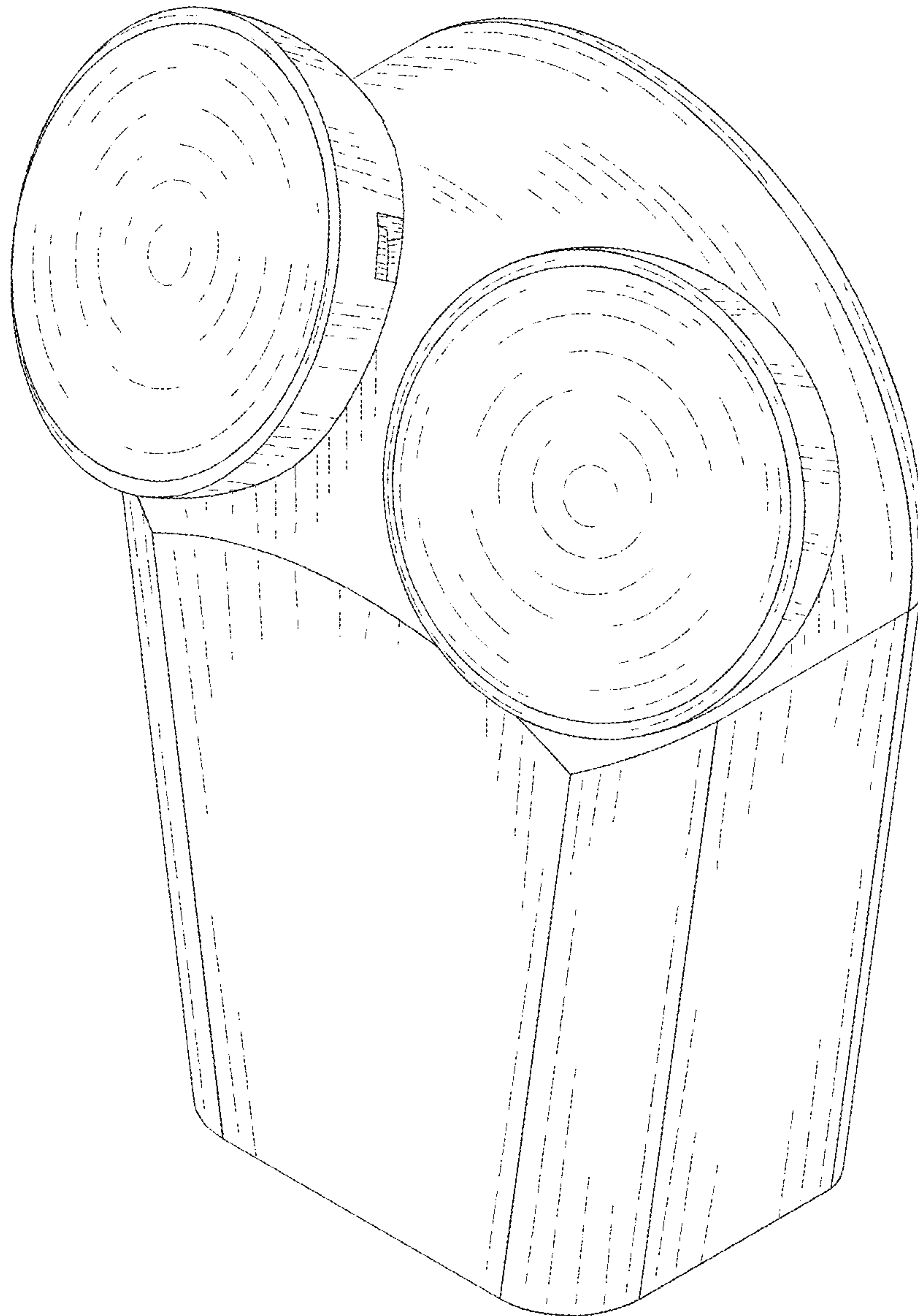


FIG. 1

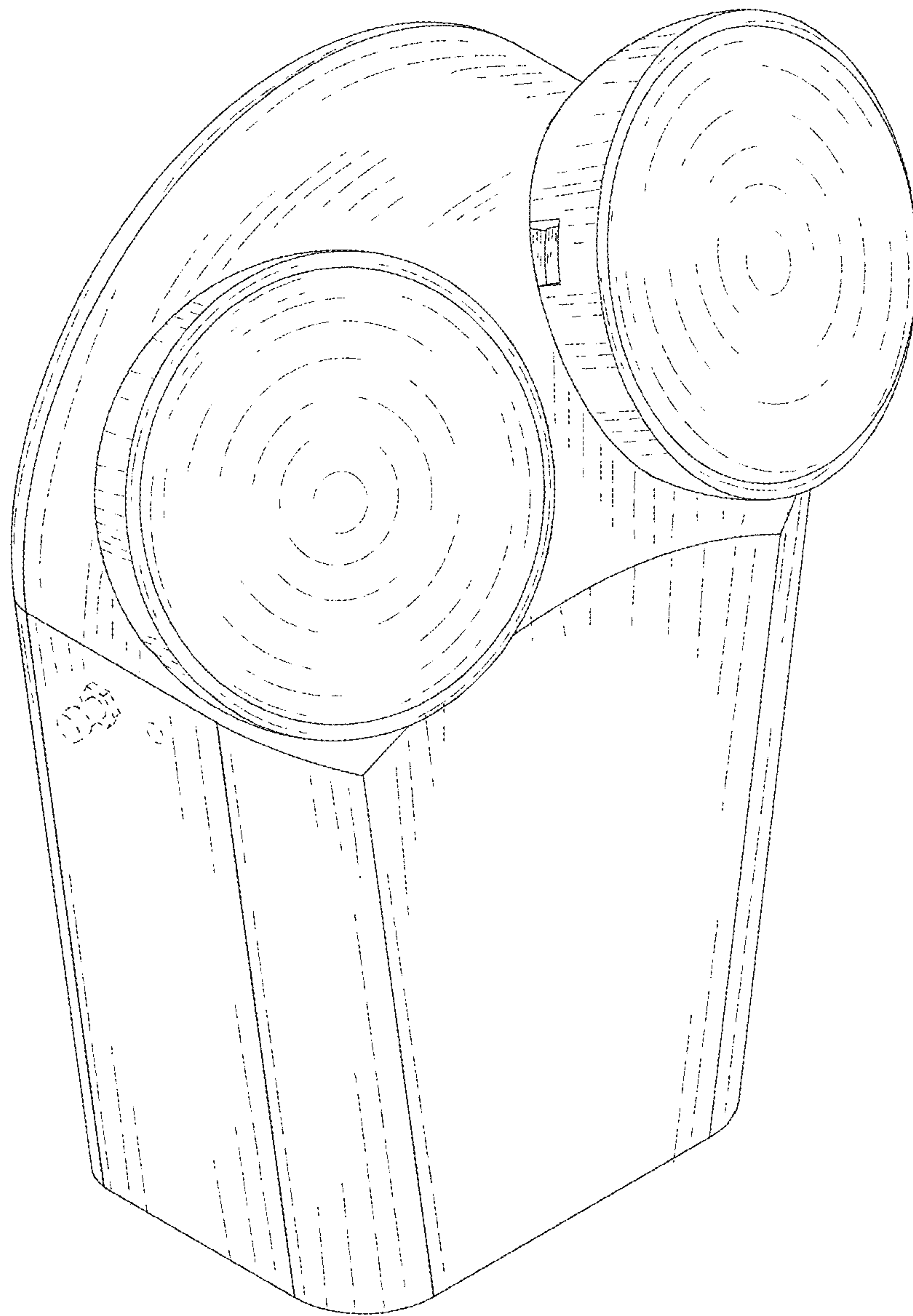


FIG. 2

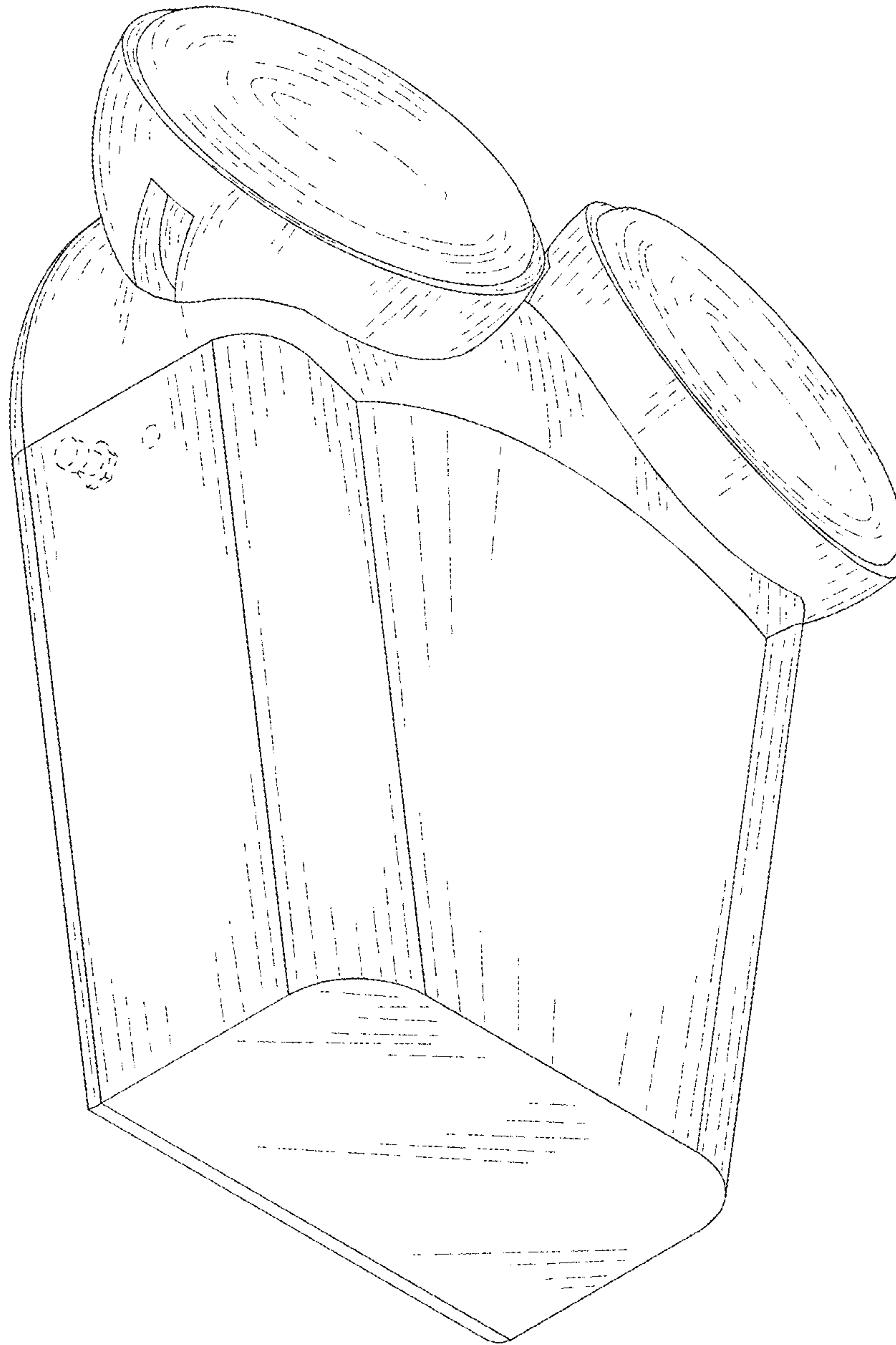


FIG. 3

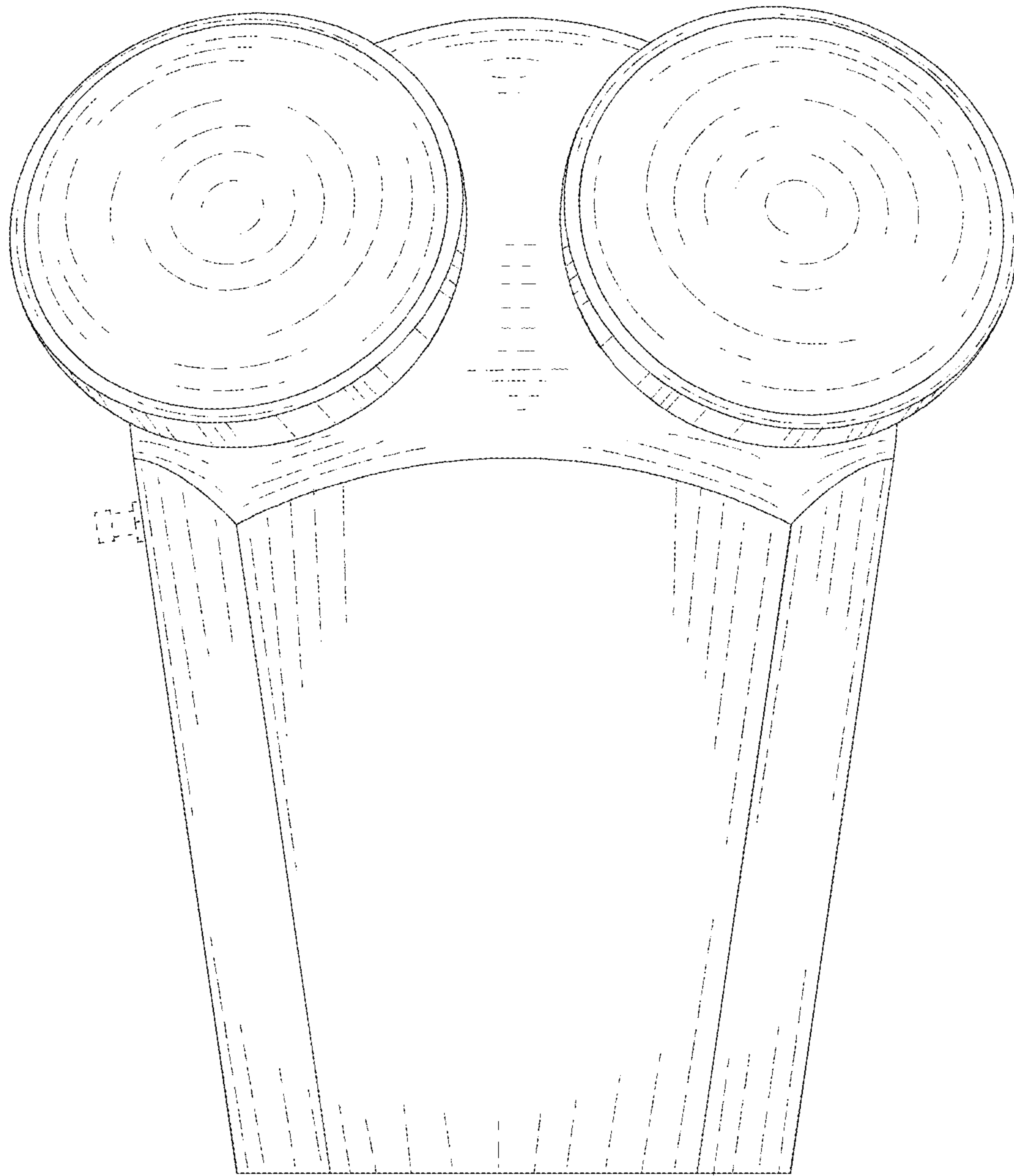


FIG. 4

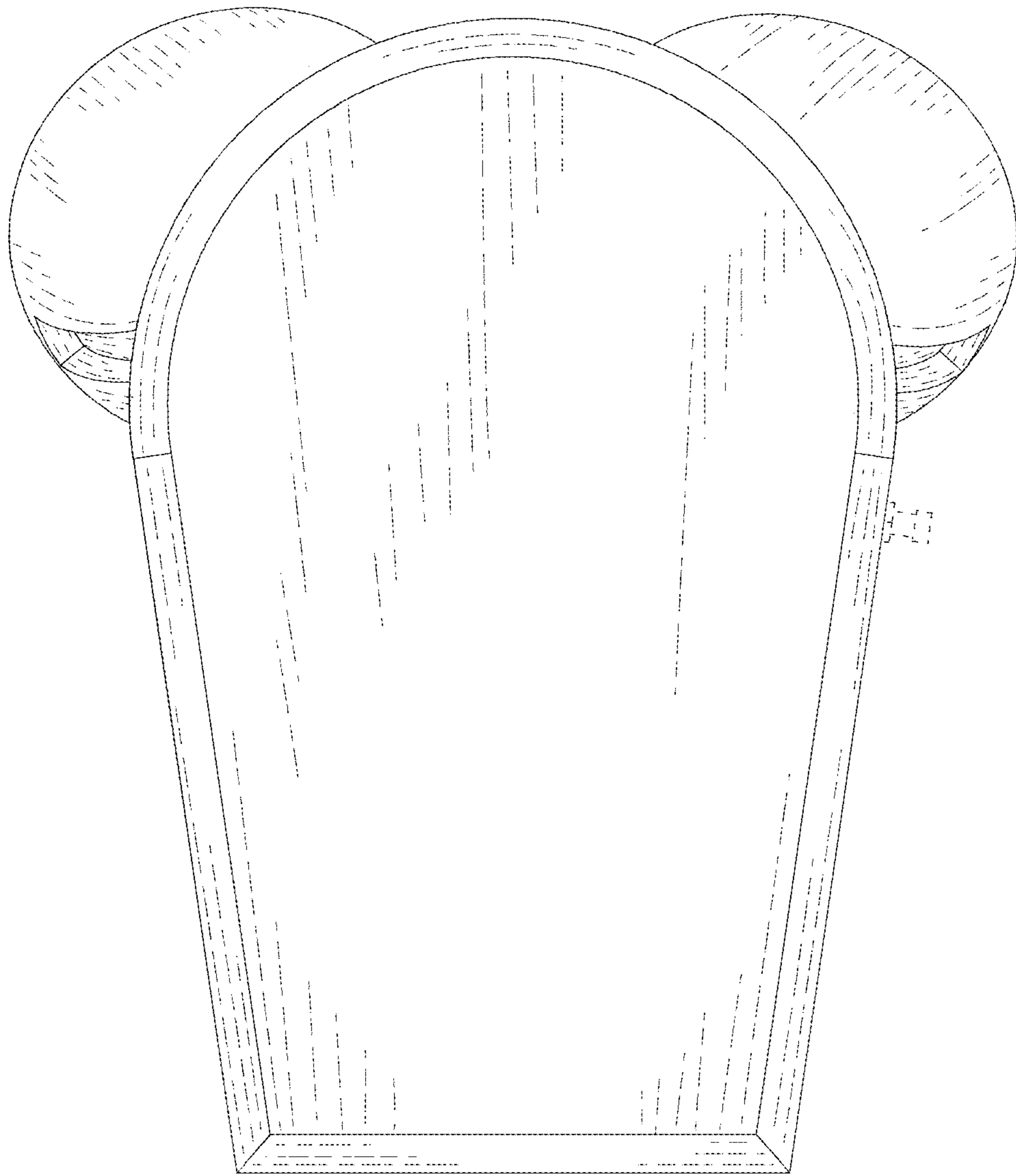


FIG. 5

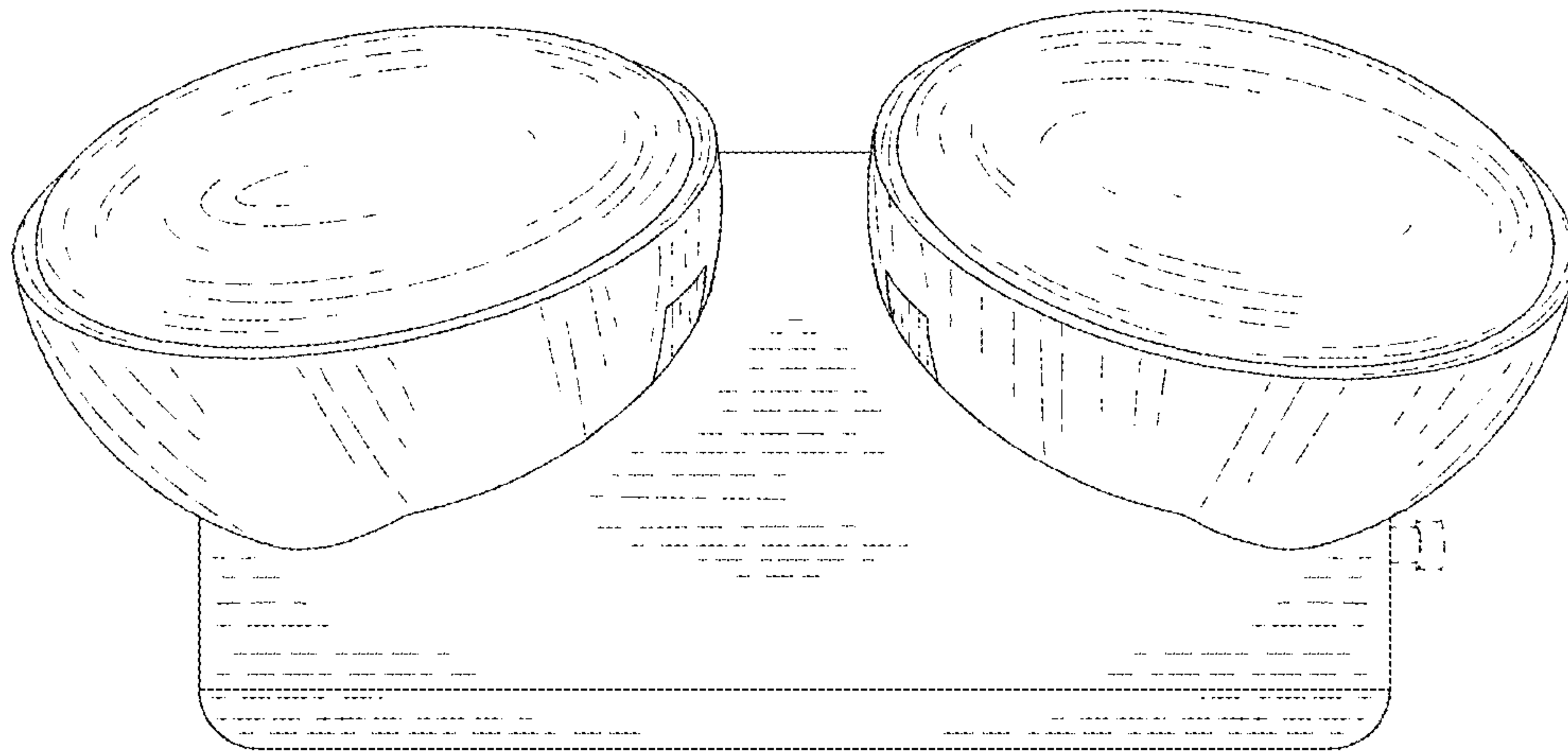


FIG. 6

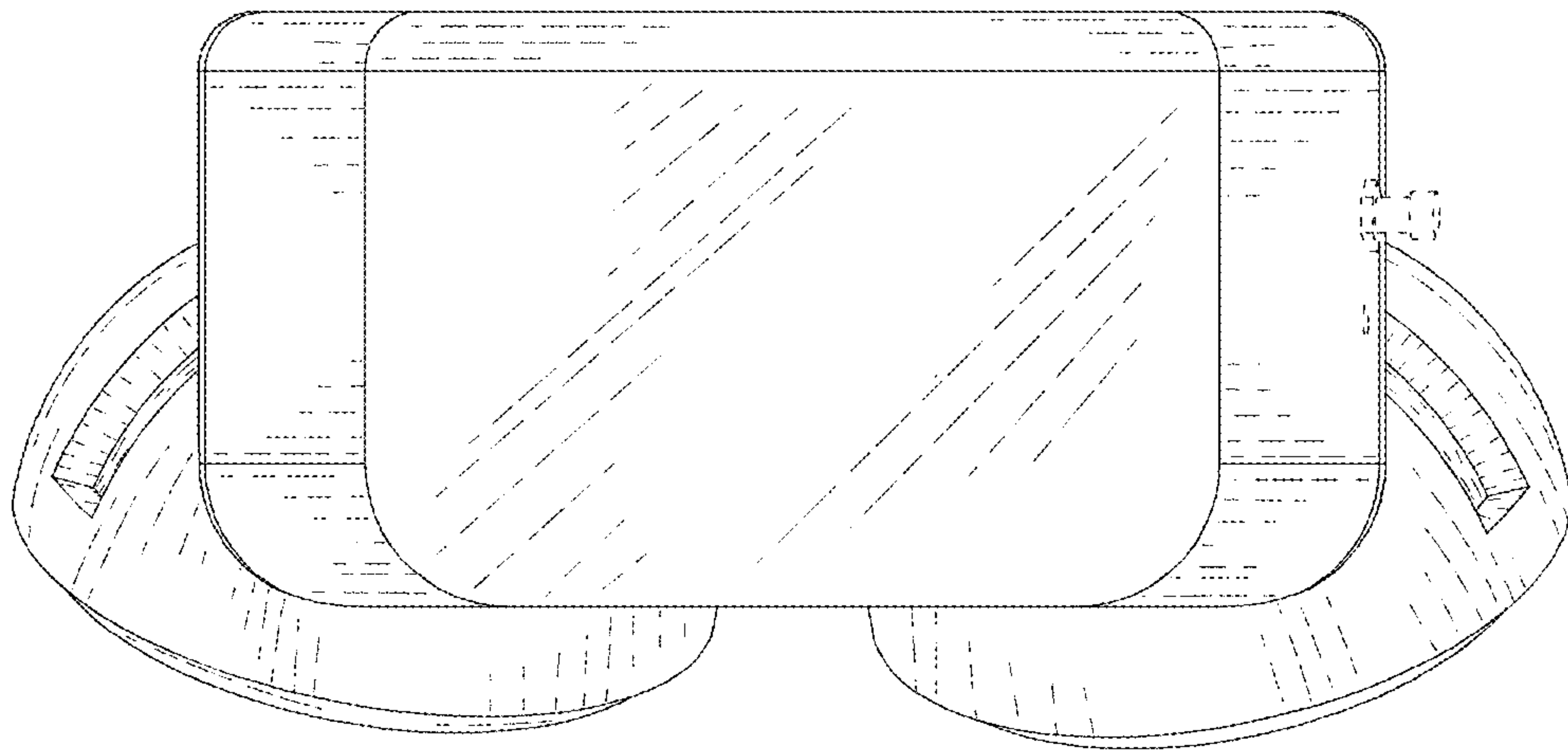


FIG. 7

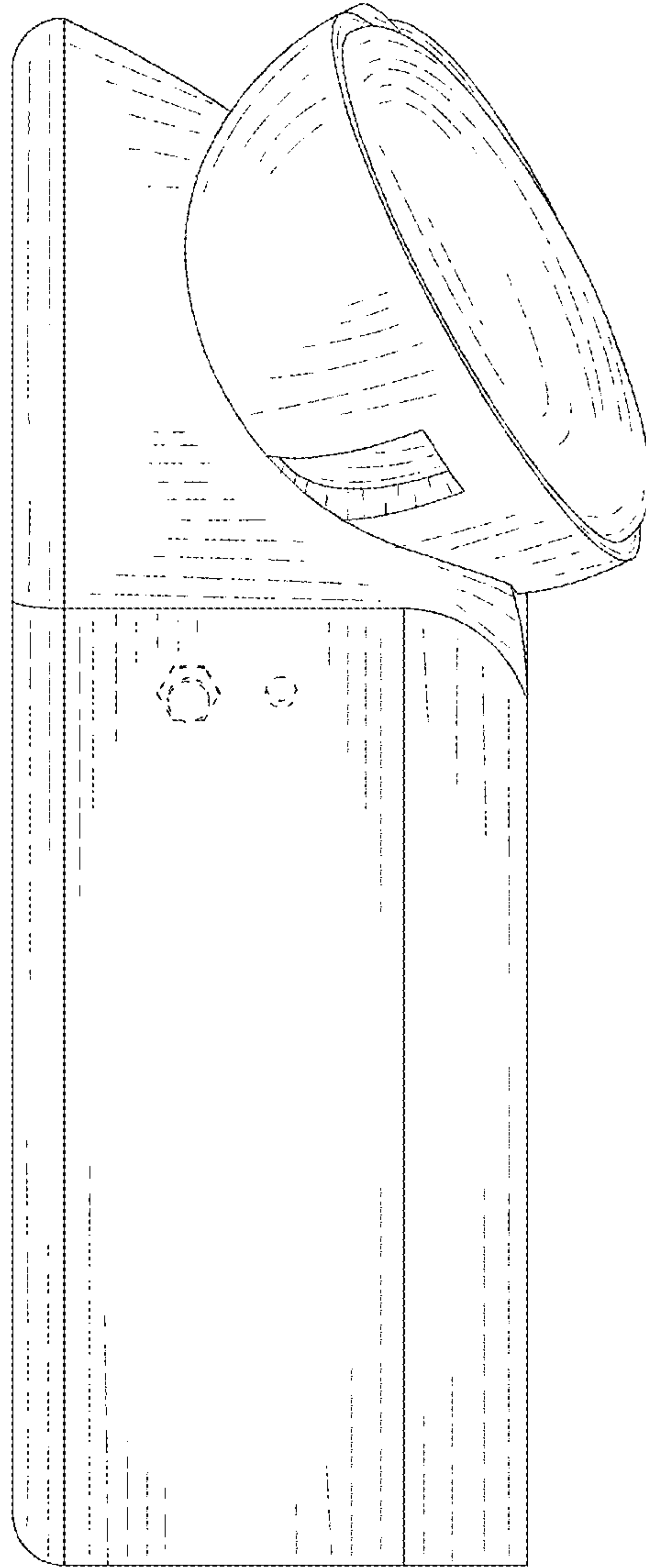


FIG. 8

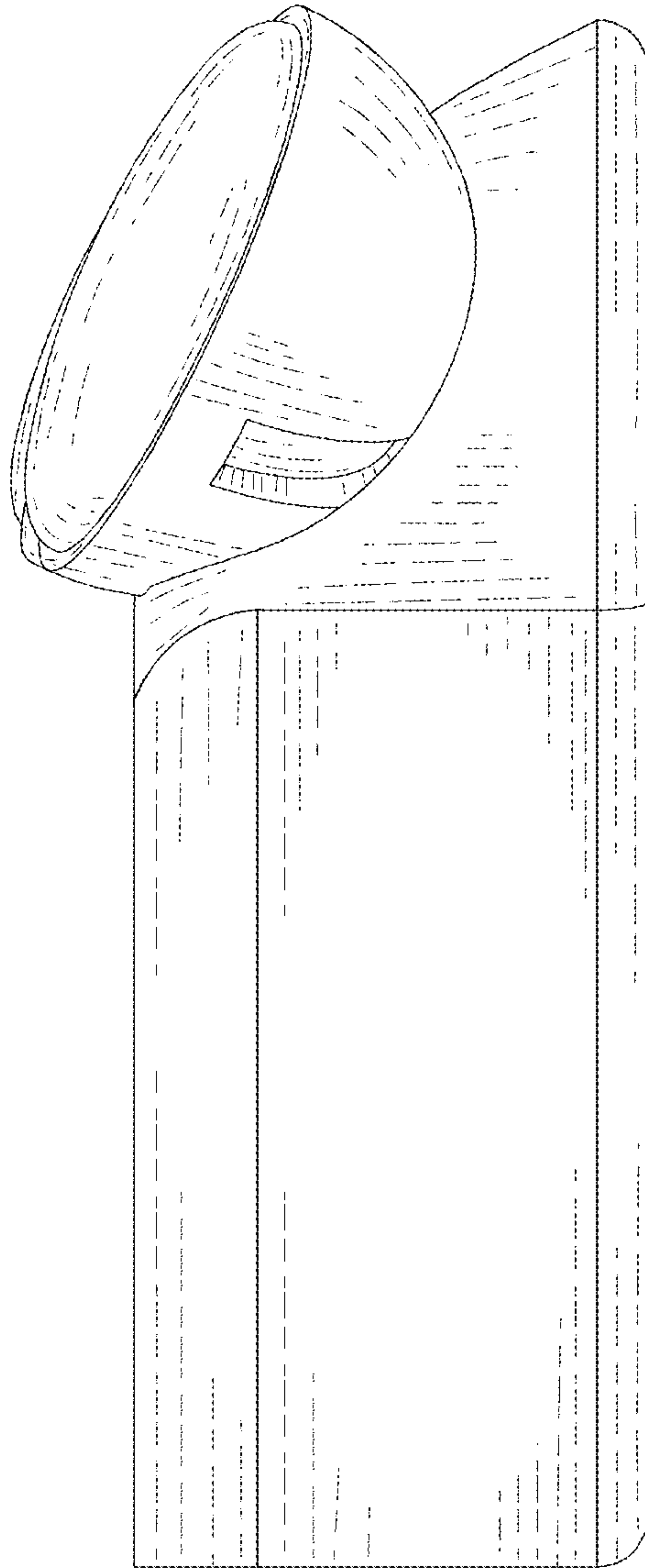


FIG. 9

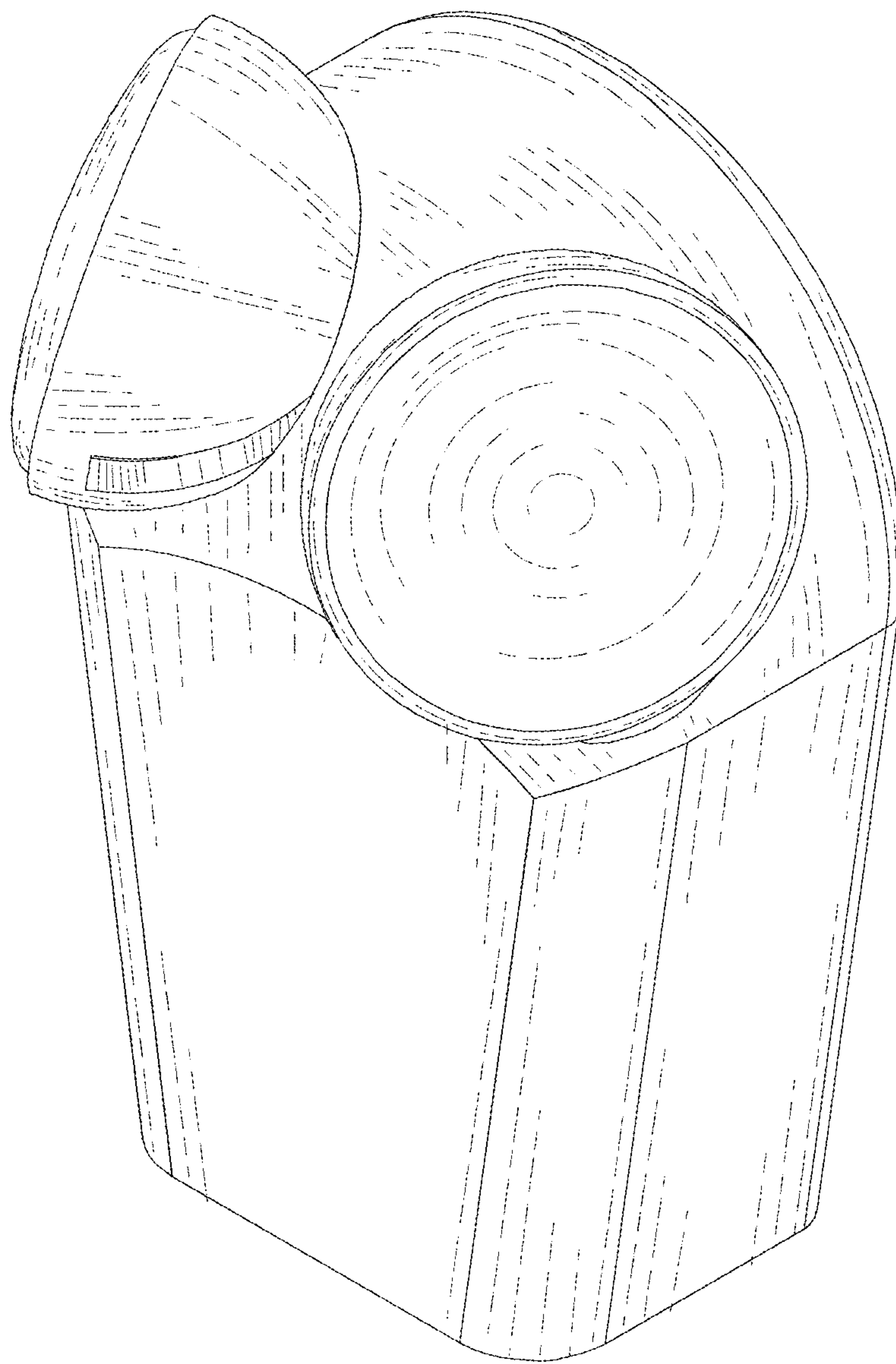


FIG. 10

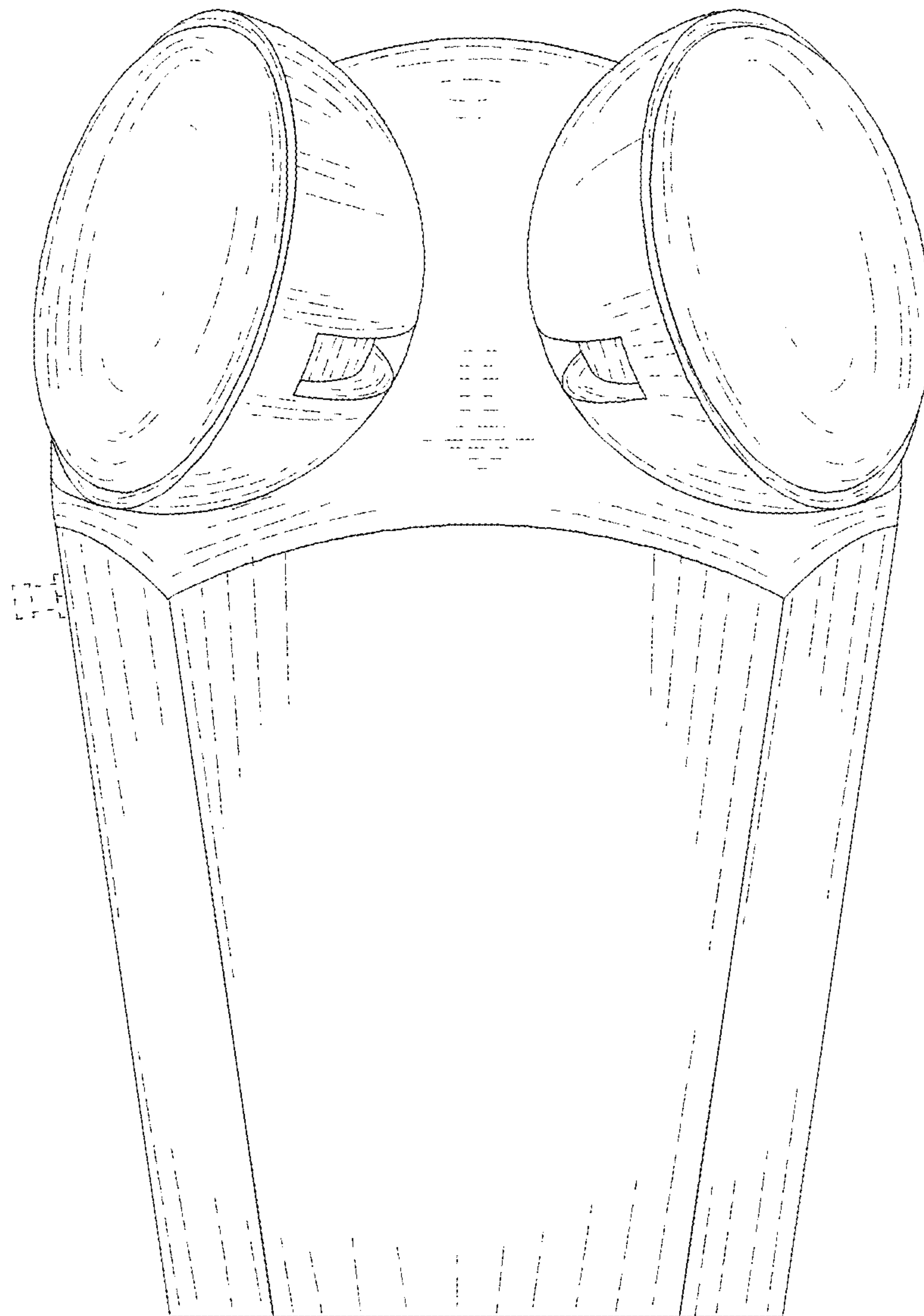


FIG. 11