



US00D819474S

(12) **United States Design Patent**
Bolger et al.

(10) **Patent No.:** **US D819,474 S**
(45) **Date of Patent:** **** Jun. 5, 2018**

(54) **FIRE ALARM**

(71) Applicant: **Sprue Safety Products Ltd.**, Coventry (GB)

(72) Inventors: **Chris Bolger**, Coventry (GB); **Peter Brigham**, Coventry (GB)

(73) Assignee: **SPRUE SAFETY PRODUCTS LTD.**, Coventry (GB)

(**) Term: **15 Years**

(21) Appl. No.: **29/575,250**

(22) Filed: **Aug. 23, 2016**

Related U.S. Application Data

(62) Division of application No. 29/544,259, filed on Nov. 2, 2015, now Pat. No. Des. 778,192.

(30) **Foreign Application Priority Data**

May 1, 2015 (EM) 002693473-0005

(51) **LOC (11) Cl.** **10-05**

(52) **U.S. Cl.**
USPC **D10/106.2**

(58) **Field of Classification Search**
USPC D10/104.1, 106.1-106.8; D16/203;
340/571, 588, 628-630
CPC G08B 5/36; G08B 17/06; G08B 17/10;
G08B 5/38
See application file for complete search history.

(56) **References Cited**

U.S. PATENT DOCUMENTS

D435,472 S	12/2000	Dixon
D600,582 S	9/2009	Treharne
D601,445 S	10/2009	Morrow
D653,137 S	1/2012	Brigham
D724,462 S	3/2015	Bould et al.

Primary Examiner — Sandra L Morris

(74) *Attorney, Agent, or Firm* — Levenfeld Pearlstein, LLC

(57) **CLAIM**

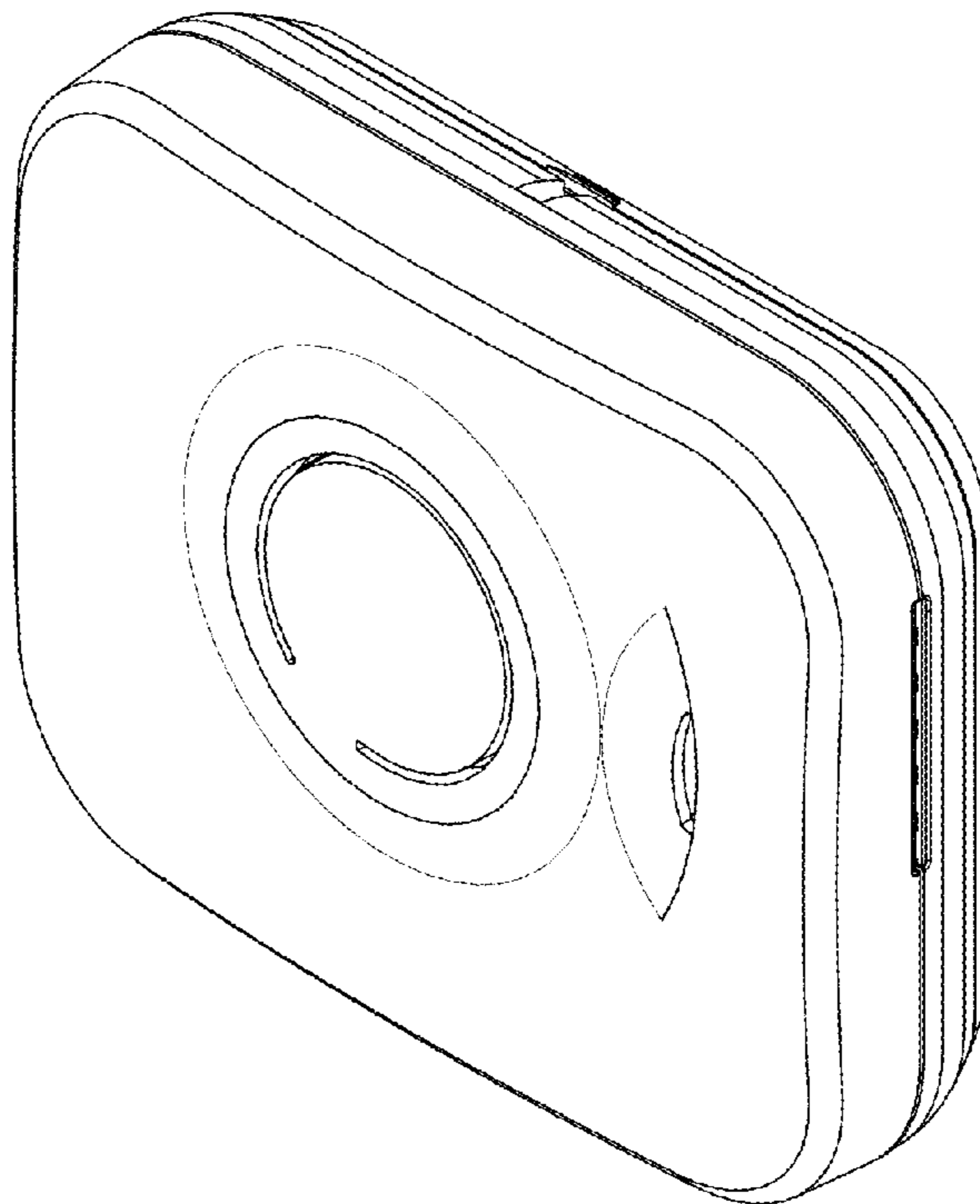
The ornamental design for a fire alarm, as shown and described.

DESCRIPTION

FIG. 1 is a front perspective view of a fire alarm embodying our new design;
FIG. 2 is a front view thereof;
FIG. 3 is a rear view thereof;
FIG. 4 is a top view thereof;
FIG. 5 is a bottom view thereof;
FIG. 6 is a side view thereof, as seen from the right-hand side of FIG. 2; and,
FIG. 7 is a side view thereof, as seen from the left-hand side of FIG. 2.

The broken line showing is for illustrative purposes only, and forms no part of the claimed design.

1 Claim, 7 Drawing Sheets



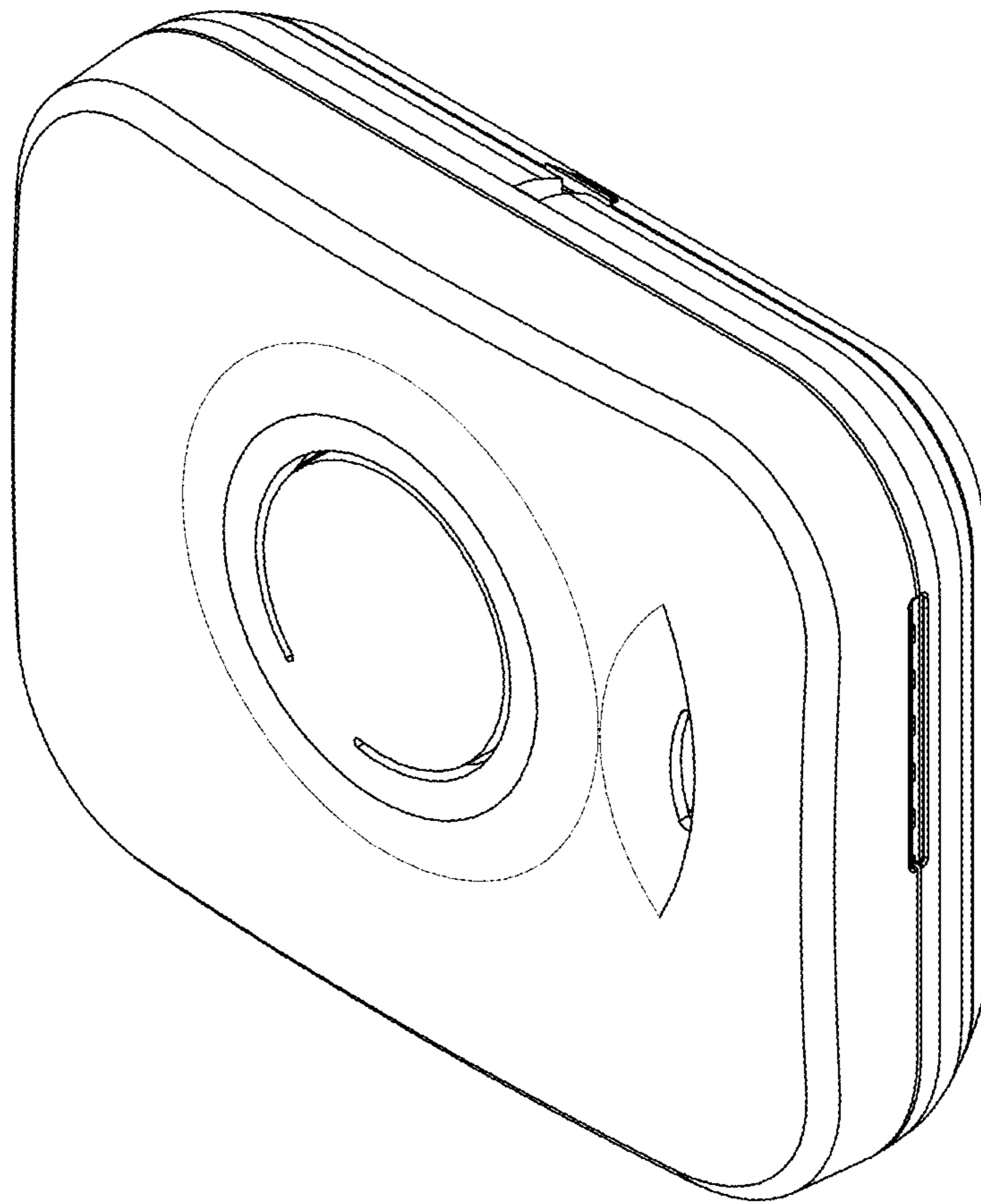


FIG. 1

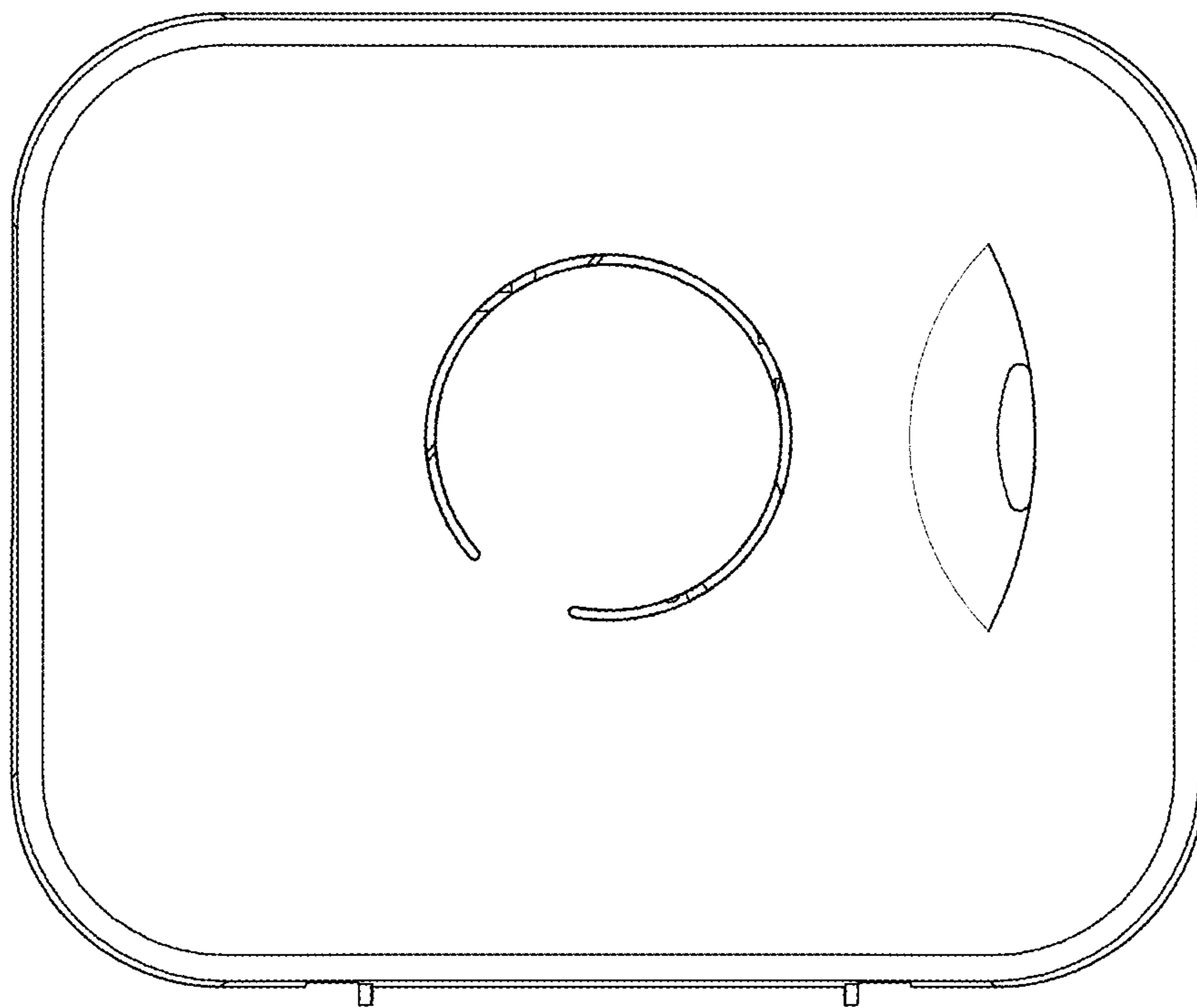


FIG. 2

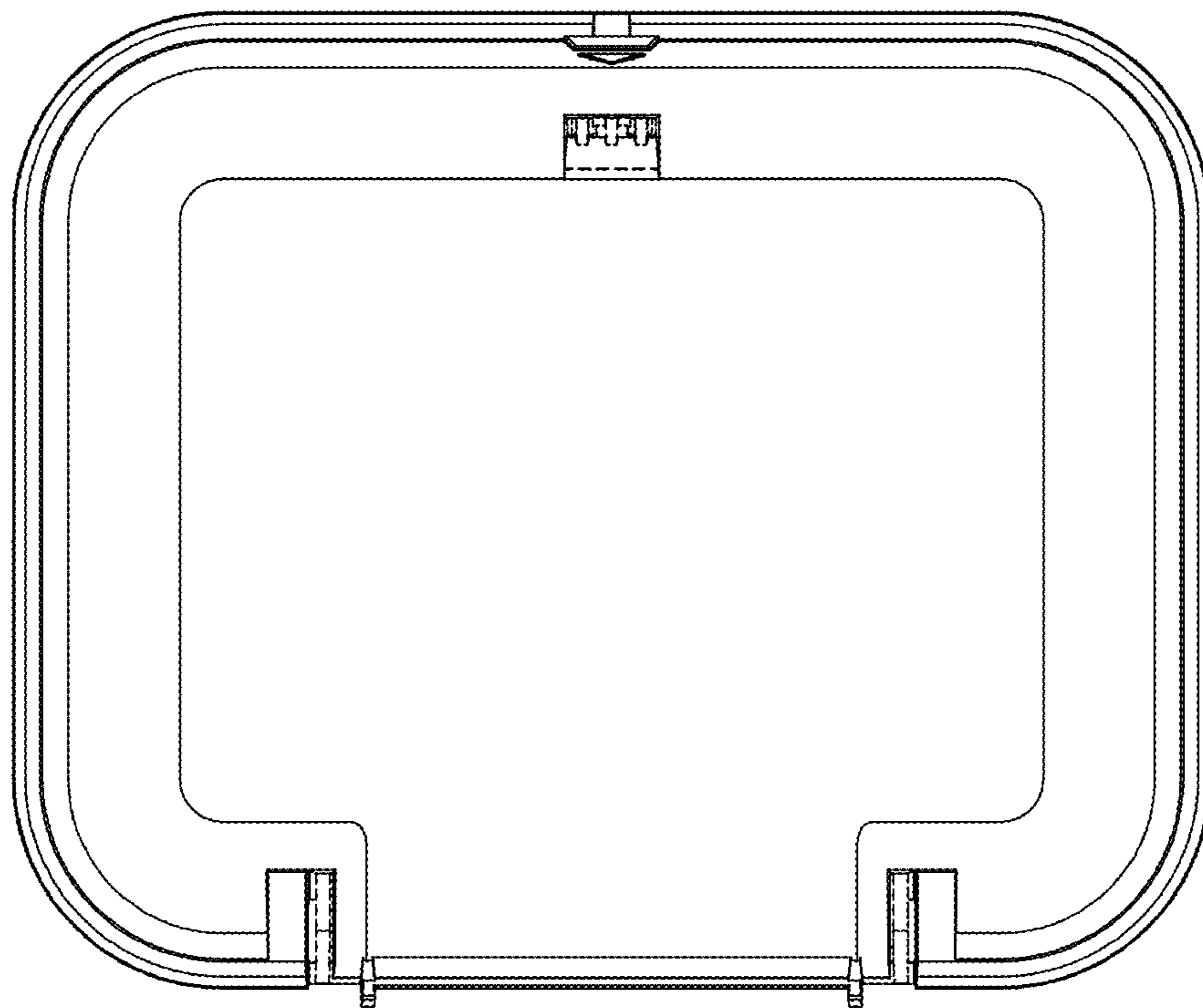


FIG. 3

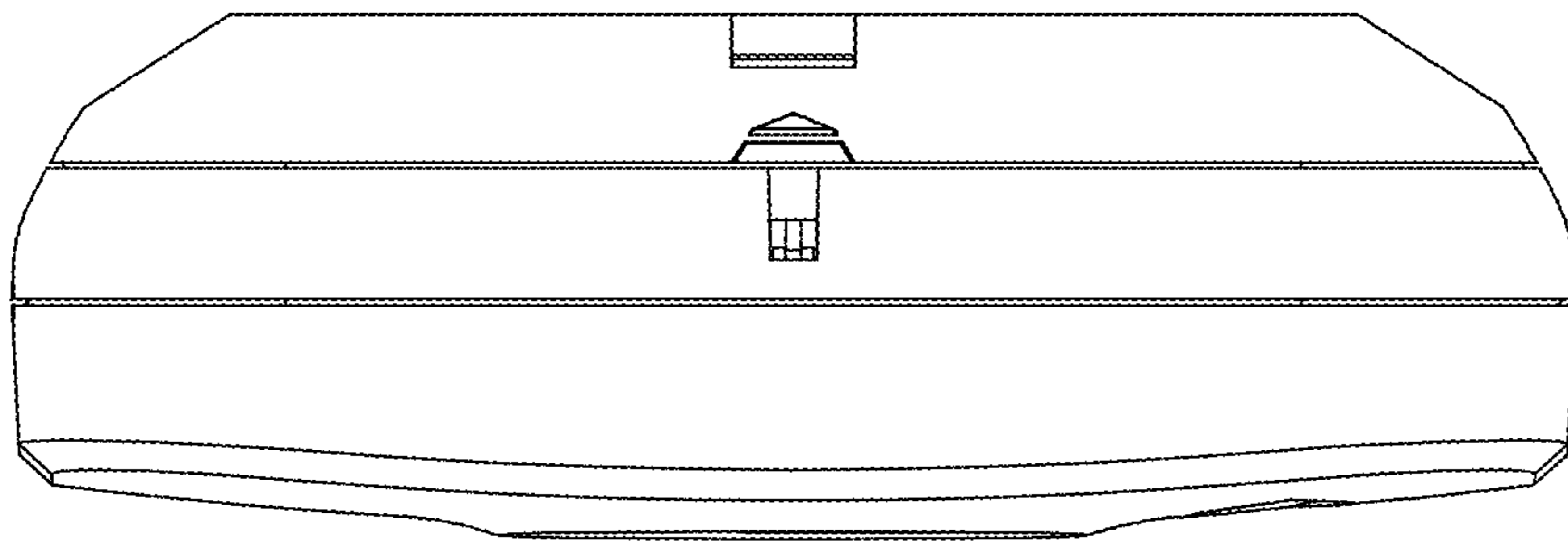


FIG. 4

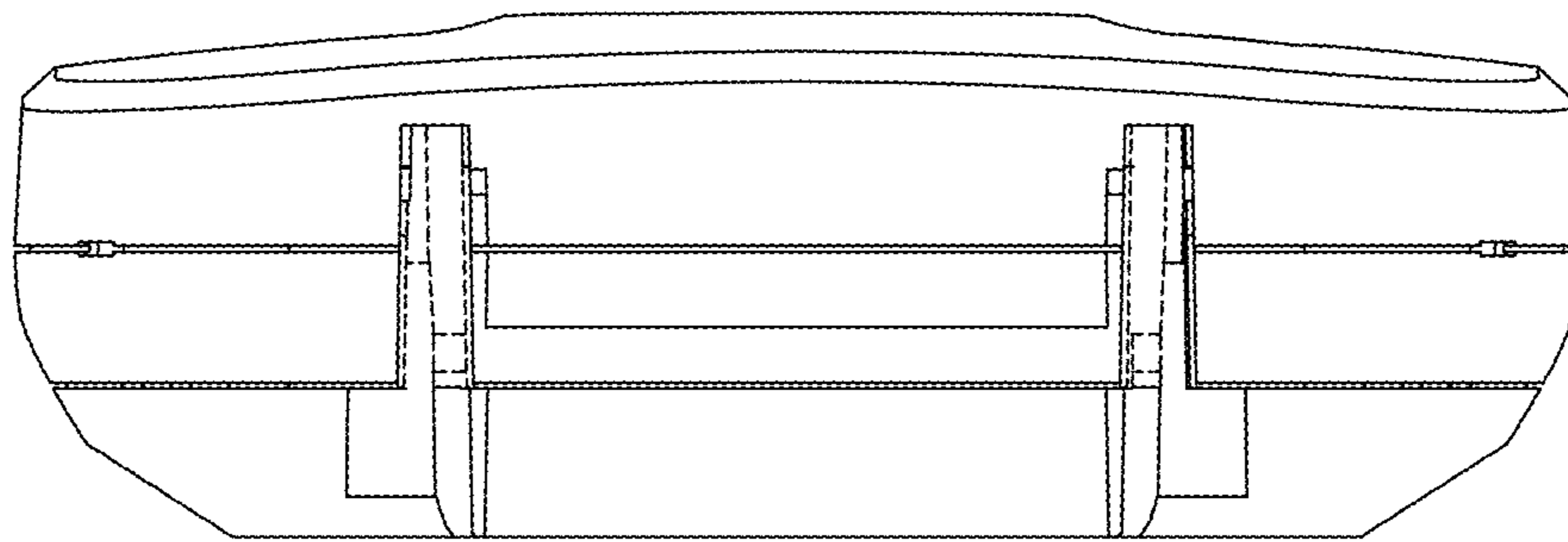


FIG. 5

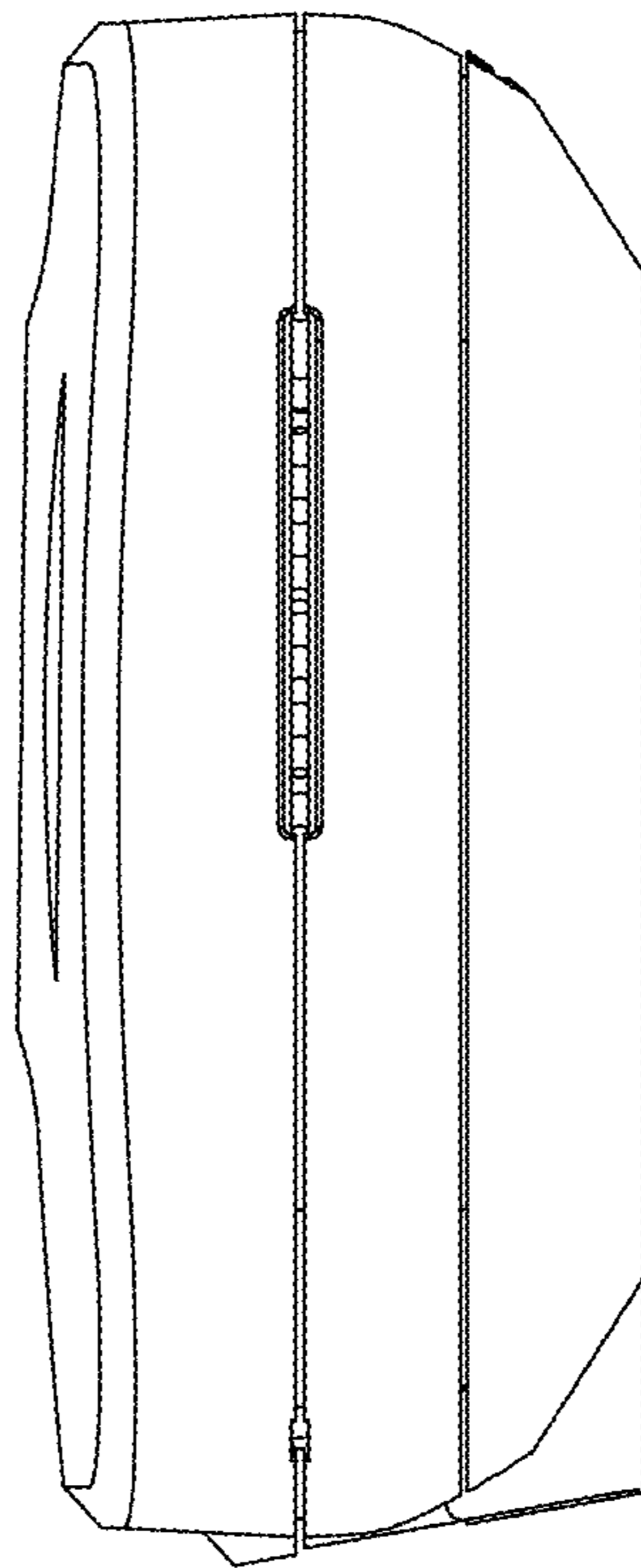


FIG. 6

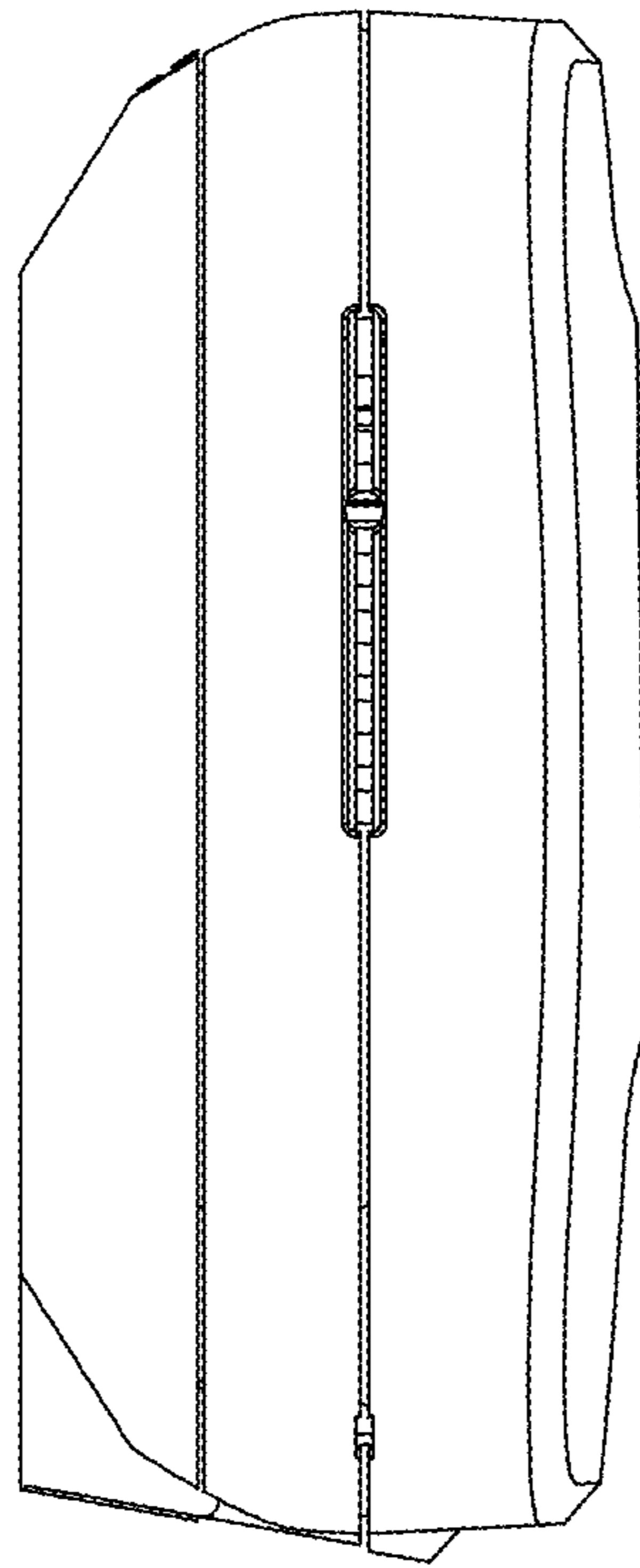


FIG. 7