



US00D819473S

(12) **United States Design Patent**
Zi et al.

(10) **Patent No.:** **US D819,473 S**
(45) **Date of Patent:** **** Jun. 5, 2018**

(54) **FLOWMETER CASE**

(71) Applicant: **Micro Motion, Inc.**, Boulder, CO (US)

(72) Inventors: **Xue Zi**, Nanjing (CN); **Robert Barclay Garnett**, Boulder, CO (US); **Xiang Feng**, Nanjing (CN); **Yingxue Xu**, Nanjing (CN)

(73) Assignee: **Micro Motion, Inc.**, Boulder, CO (US)

(**) Term: **15 Years**

(21) Appl. No.: **29/591,774**

(22) Filed: **Jan. 24, 2017**

(30) **Foreign Application Priority Data**

Nov. 17, 2016 (CN) 2016 3 0558187

(51) **LOC (11) Cl.** **10-04**

(52) **U.S. Cl.**
USPC **D10/96**

(58) **Field of Classification Search**
USPC D10/96
CPC G01F 1/40; G01F 1/42; G01F 1/44; G01F 1/46; G01F 1/74; G01F 11/003; G01F 11/006; G01N 21/03; G01N 21/05; G01N 2021/0378; G01N 2021/0382; G01N 2021/052; G01N 2021/054; G01N 2021/056; G01N 2021/058

See application file for complete search history.

(56) **References Cited**

U.S. PATENT DOCUMENTS

4,691,736 A * 9/1987 Kowalski A62C 35/02
137/557
D439,534 S * 3/2001 Scarrott D10/96
D456,292 S * 4/2002 Scarrott D10/96
6,536,470 B1 * 3/2003 Carn E03C 1/104
137/505.25
D588,483 S * 3/2009 Chu D10/96

* cited by examiner

Primary Examiner — Antoine Duval Davis

(74) *Attorney, Agent, or Firm* — The Ollila Law Group LLC

(57) **CLAIM**

The ornamental design for a flowmeter case, substantially as shown and described.

DESCRIPTION

FIG. 1 is a perspective view of a flowmeter case showing our new design;

FIG. 2 is a front elevation view thereof;

FIG. 3 is a rear elevation view thereof;

FIG. 4 is a right side elevation view thereof;

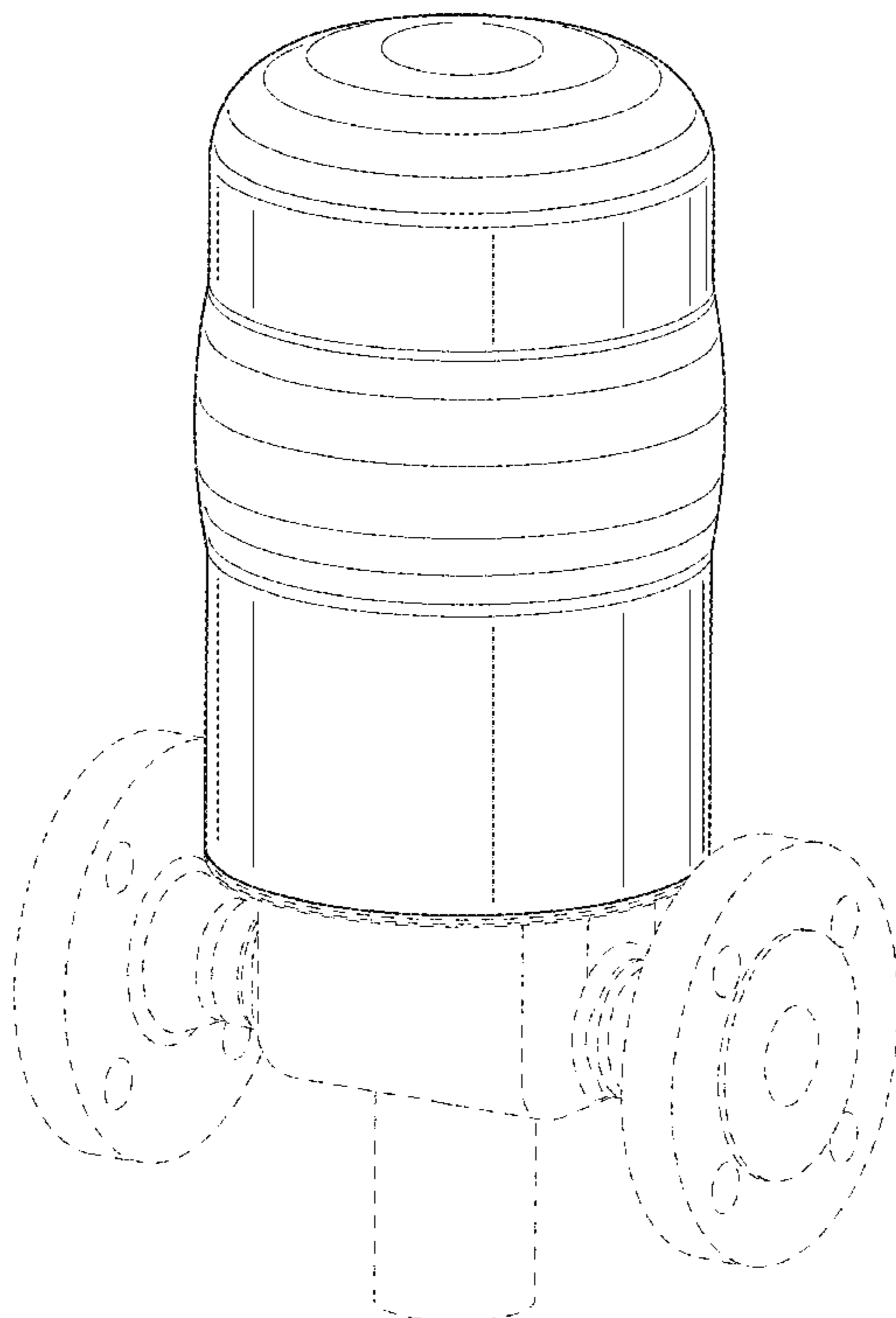
FIG. 5 is a left side elevation view thereof;

FIG. 6 is a top plan view thereof; and,

FIG. 7 is a bottom plan view thereof.

The flowmeter case is not limited to the scale shown herein. Broken lines of FIGS. 1-7 illustrate portions of the flowmeter case that form no part of the claimed invention.

1 Claim, 7 Drawing Sheets



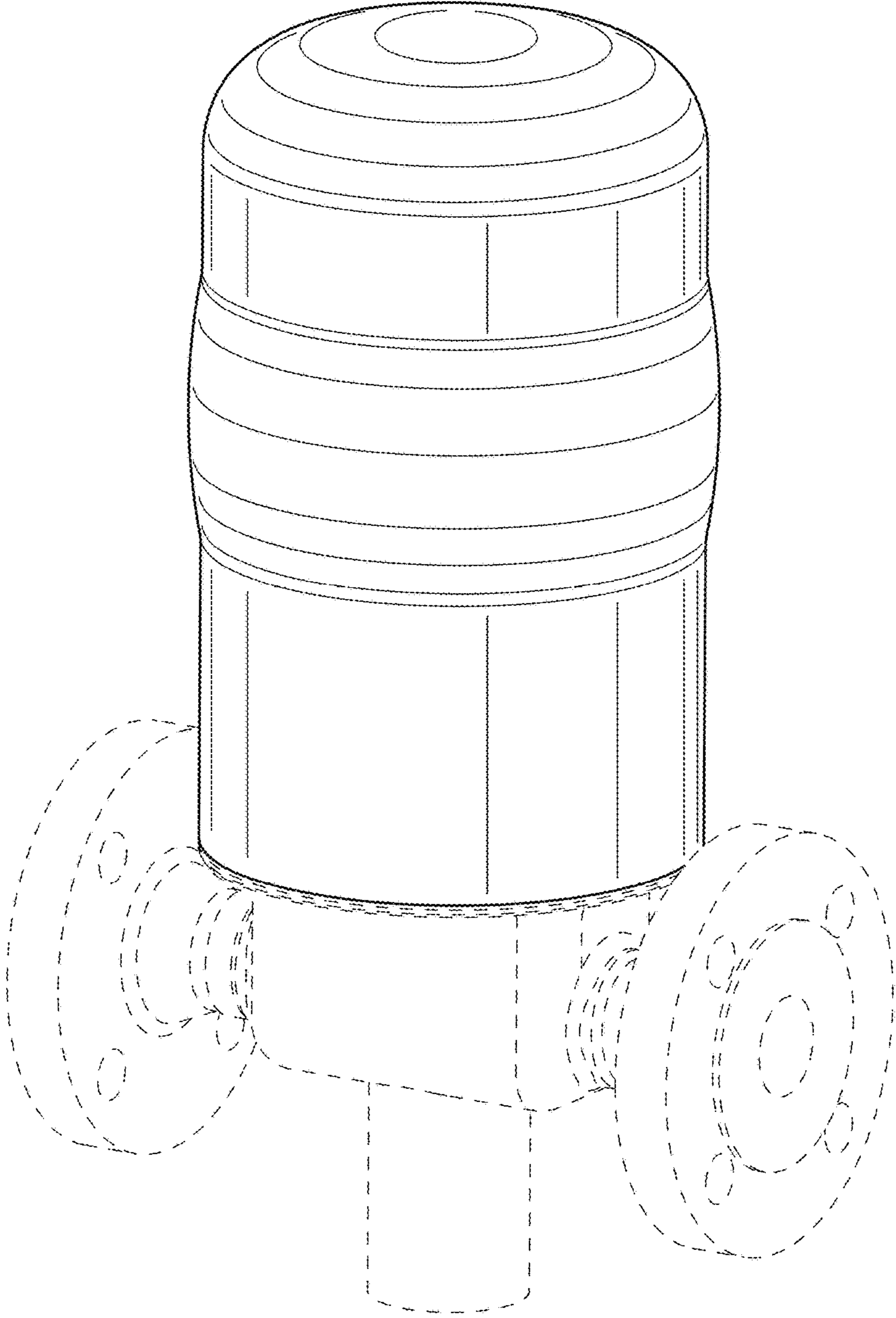


FIG.1

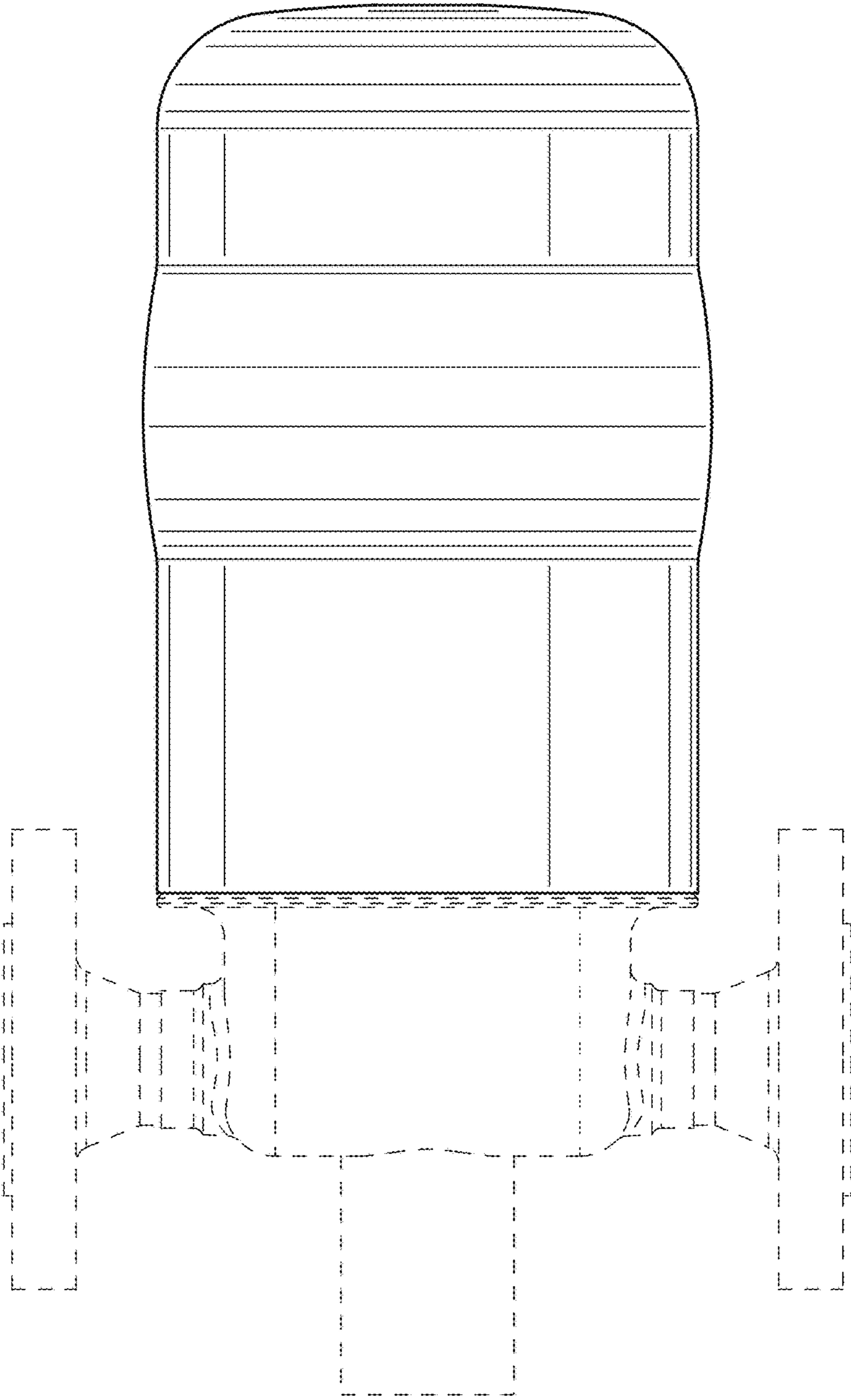


FIG.2

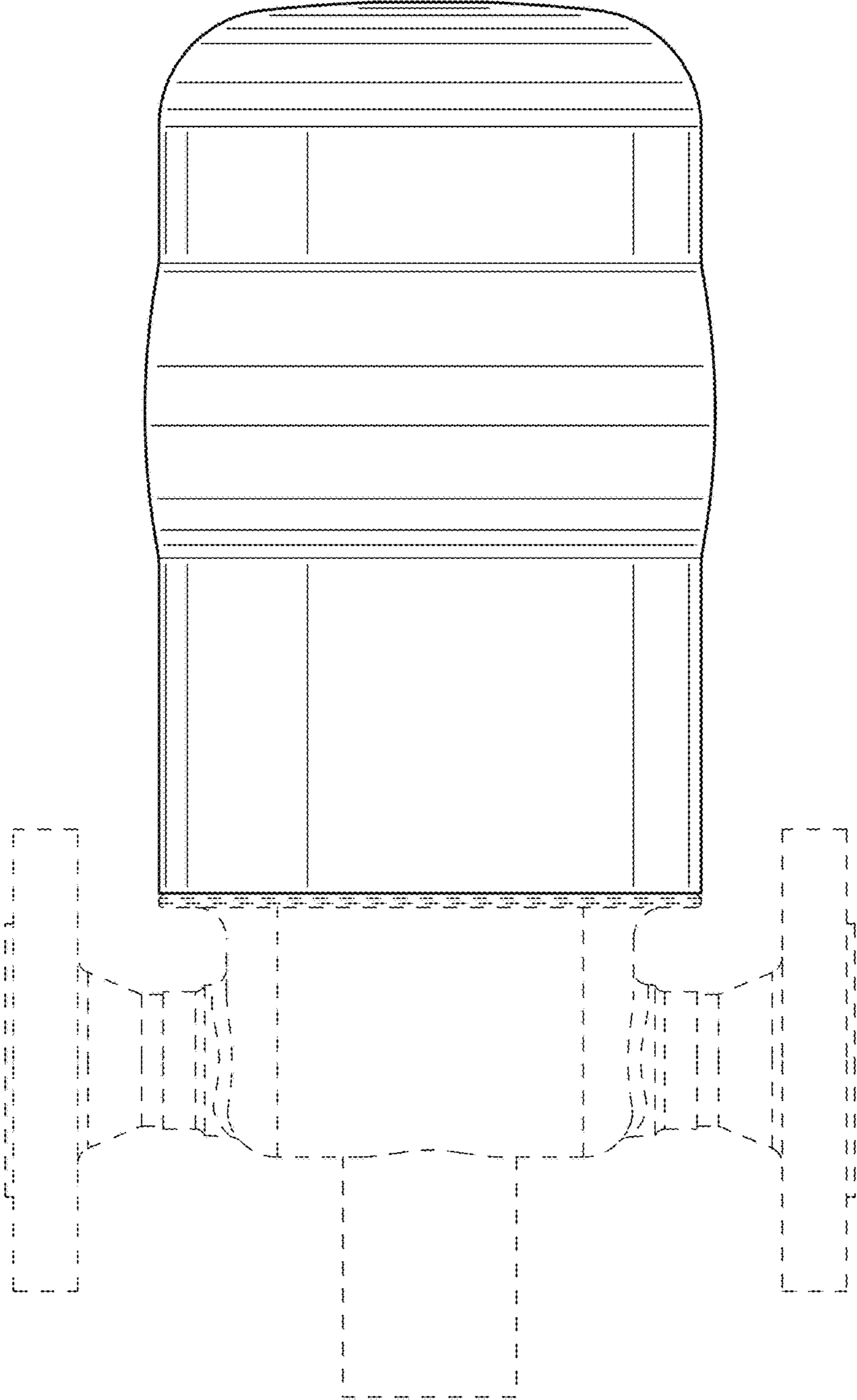


FIG.3

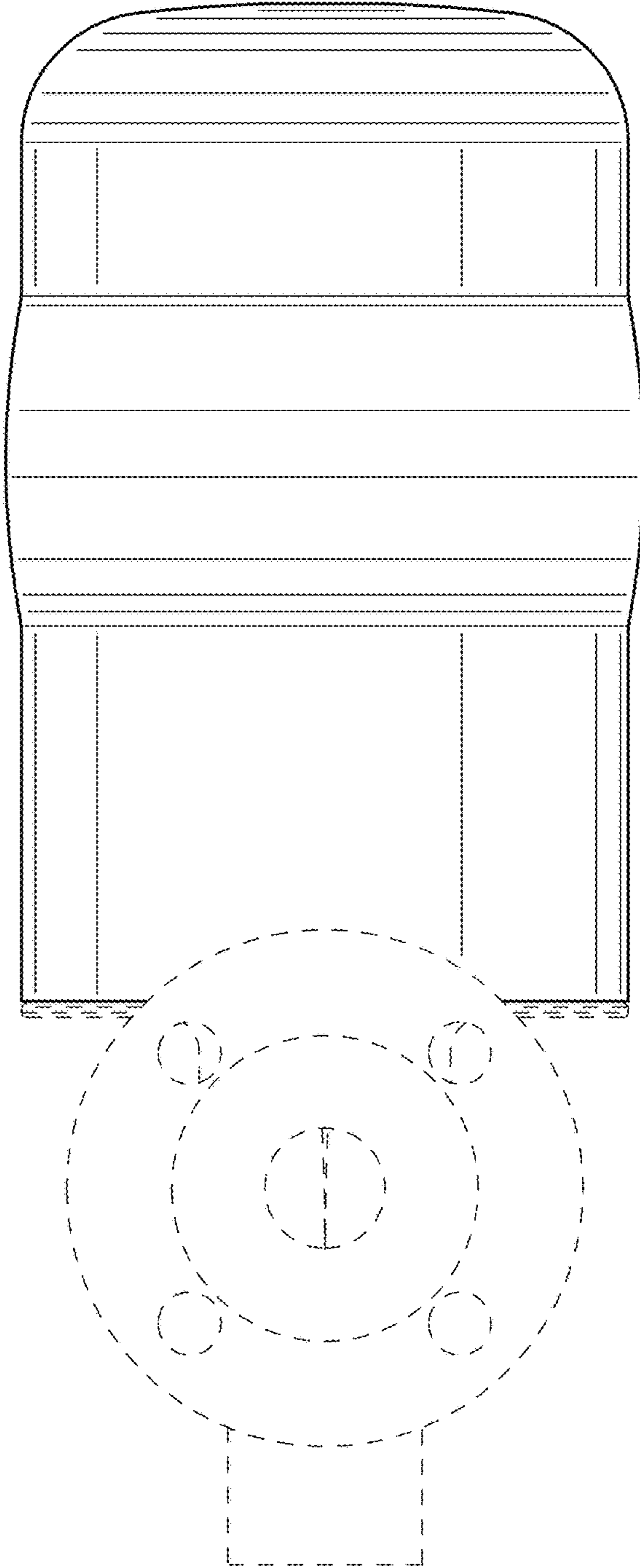


FIG.4

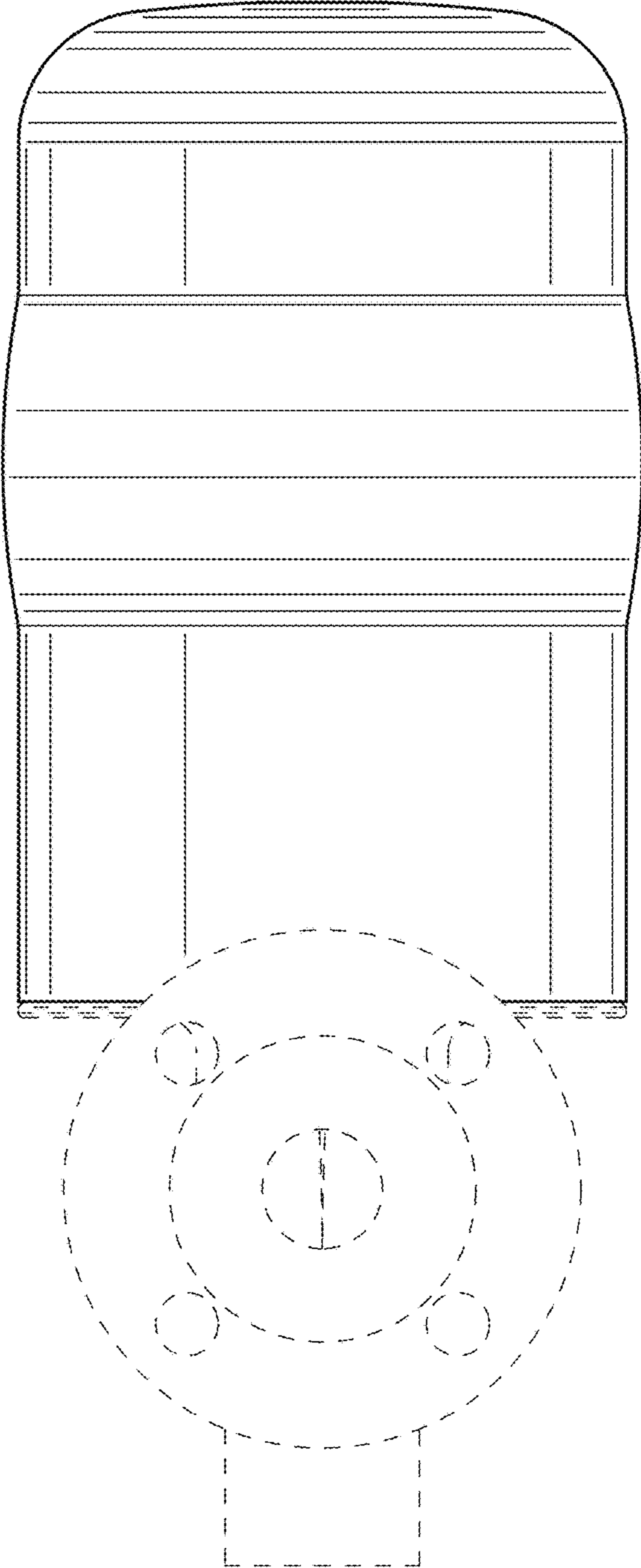


FIG.5

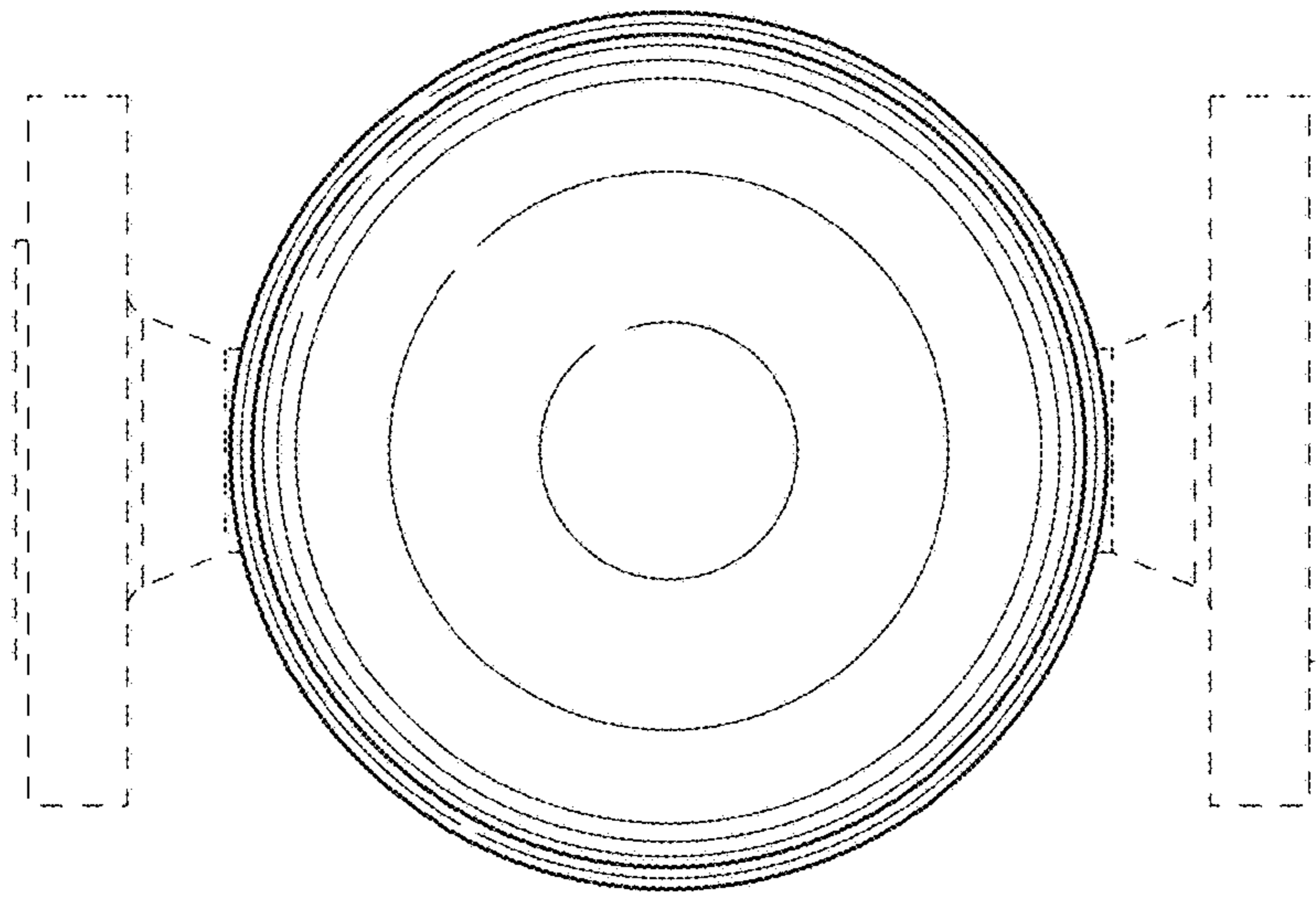


FIG.6

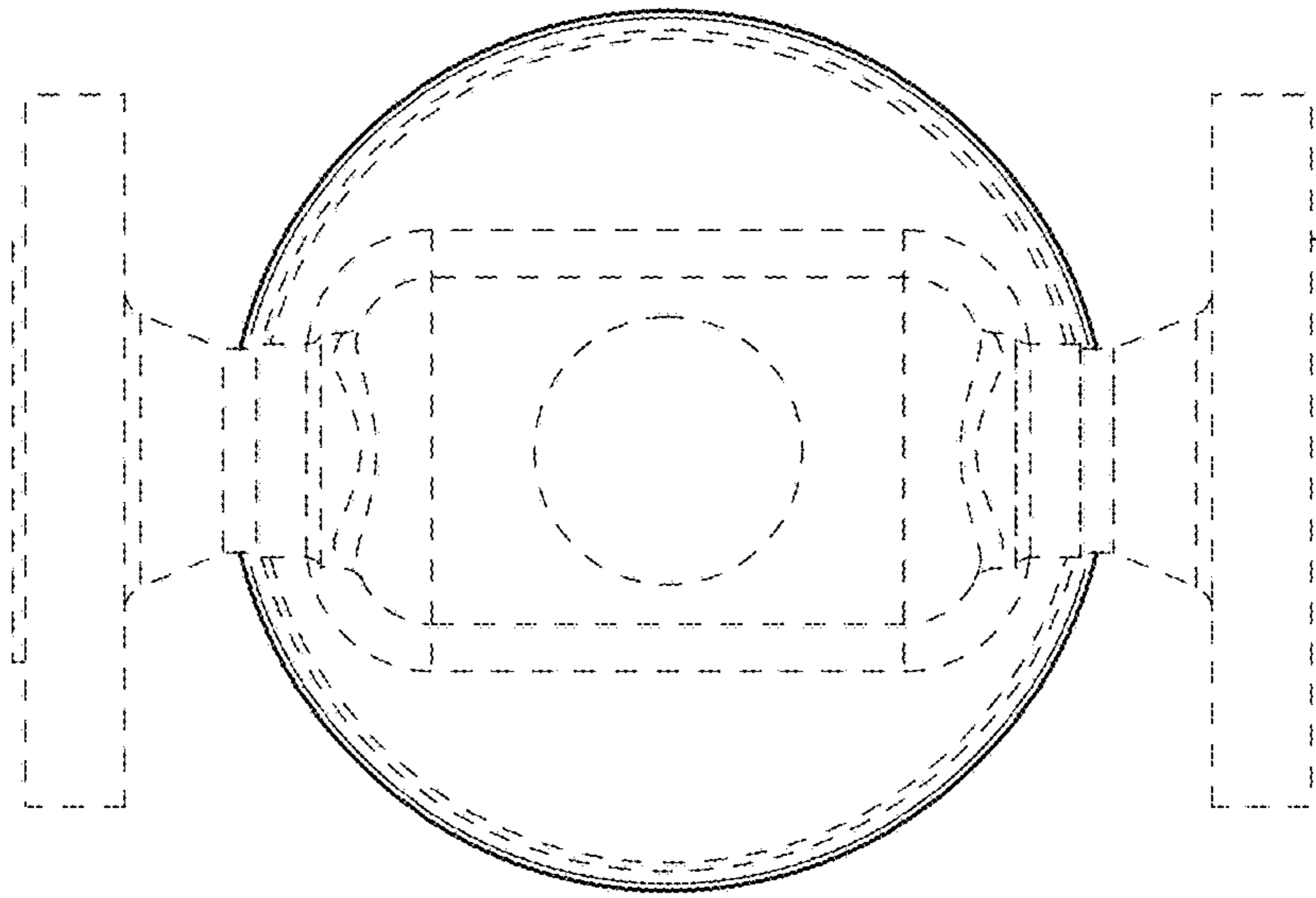


FIG. 7