



US00D819467S

(12) **United States Design Patent**  
**Linson et al.**

(10) **Patent No.:** **US D819,467 S**  
(45) **Date of Patent:** **\*\* Jun. 5, 2018**

(54) **WHEEL ALIGNMENT TARGET BODY**

(71) Applicant: **Hunter Engineering Company**, St. Louis, MO (US)

(72) Inventors: **Dennis M. Linson**, St. Charles, MO (US); **Nicholas J. Colarelli, III**, Frontenac, MO (US)

(73) Assignee: **Hunter Engineering Company**, St. Louis, MO (US)

(\*\*) Term: **15 Years**

(21) Appl. No.: **29/599,516**

(22) Filed: **Apr. 4, 2017**

(51) **LOC (11) Cl.** ..... **10-04**

(52) **U.S. Cl.**  
USPC ..... **D10/65; D10/102**

(58) **Field of Classification Search**  
USPC ..... D10/65, 102  
CPC .. G01B 11/275; G01B 21/26; G01B 2210/30;  
G01B 11/2755; G01B 2210/14; G01M  
17/013; B60R 11/00; B60R 2011/004  
See application file for complete search history.

(56) **References Cited**

U.S. PATENT DOCUMENTS

D554,543 S 11/2007 Meyer  
7,336,350 B2\* 2/2008 Dorrance ..... G01B 11/2755  
356/139.01

7,583,372 B2\* 9/2009 Shylanski ..... G01B 11/2755  
356/139.09

D636,003 S 4/2011 Linson et al.  
D667,037 S 9/2012 Linson et al.  
8,553,236 B2\* 10/2013 Dorrance ..... G01B 11/2755  
356/620

\* cited by examiner

*Primary Examiner* — Antoine Duval Davis

(74) *Attorney, Agent, or Firm* — Sandberg Phoenix

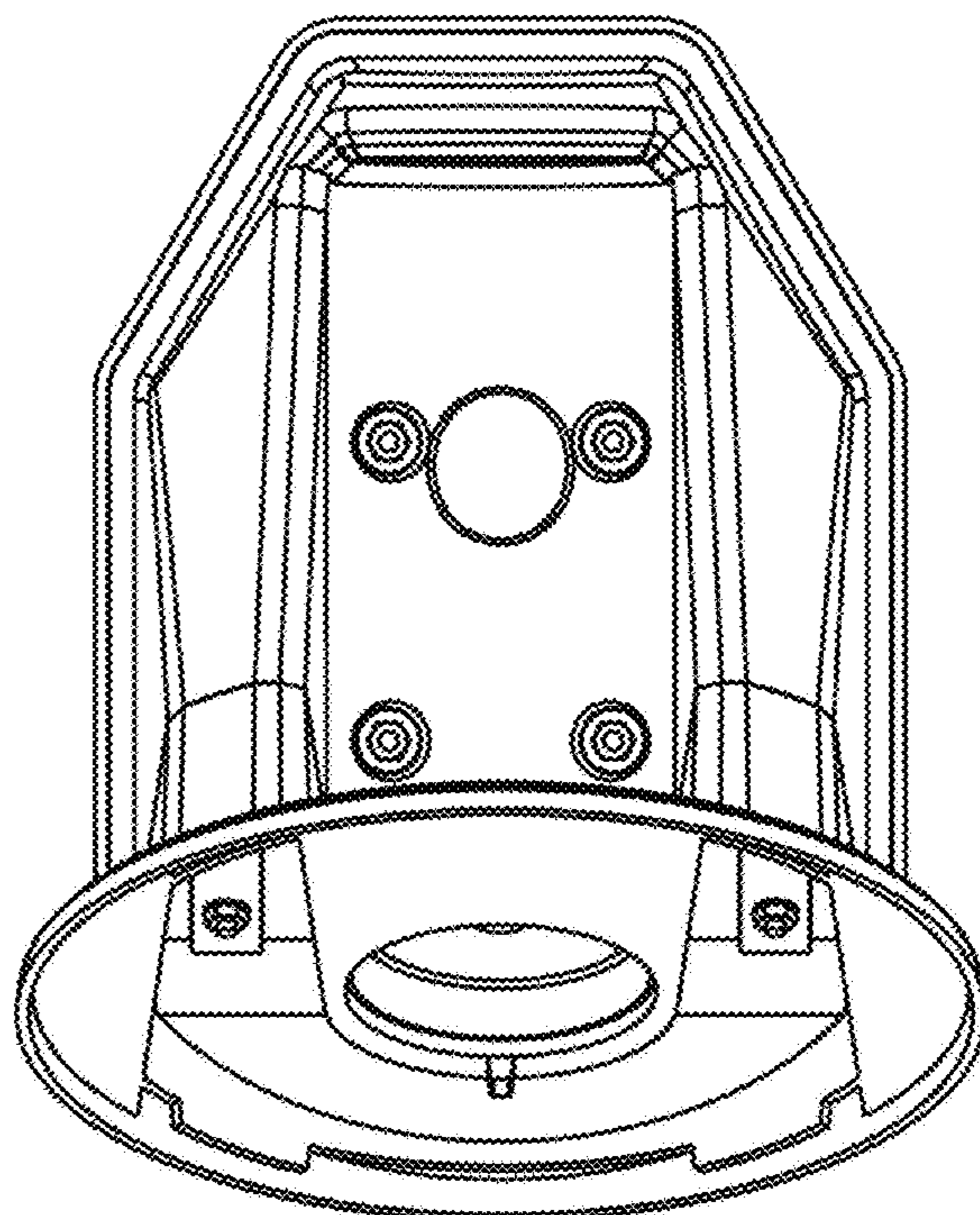
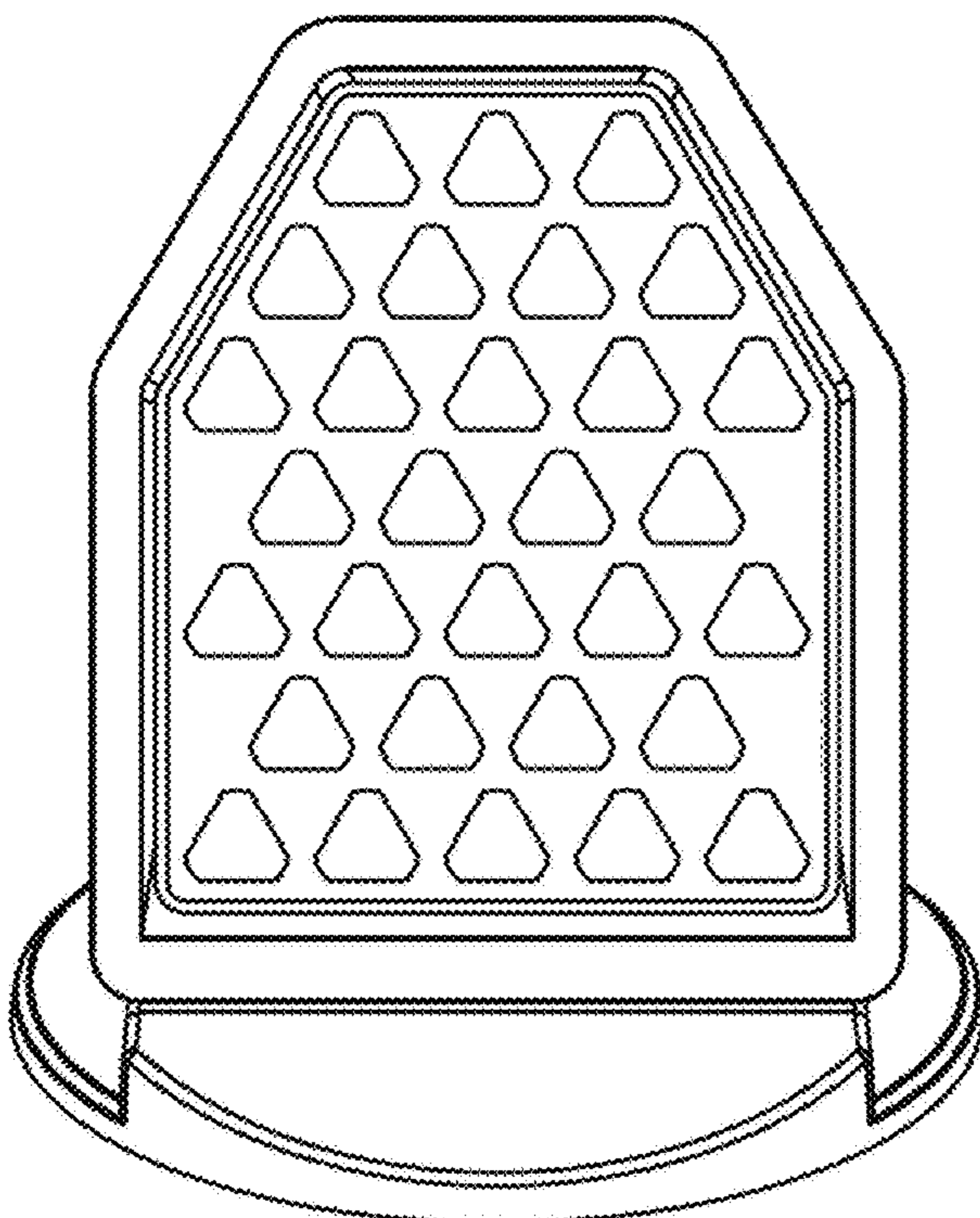
(57) **CLAIM**

The ornamental design for a wheel alignment target body, as shown and described.

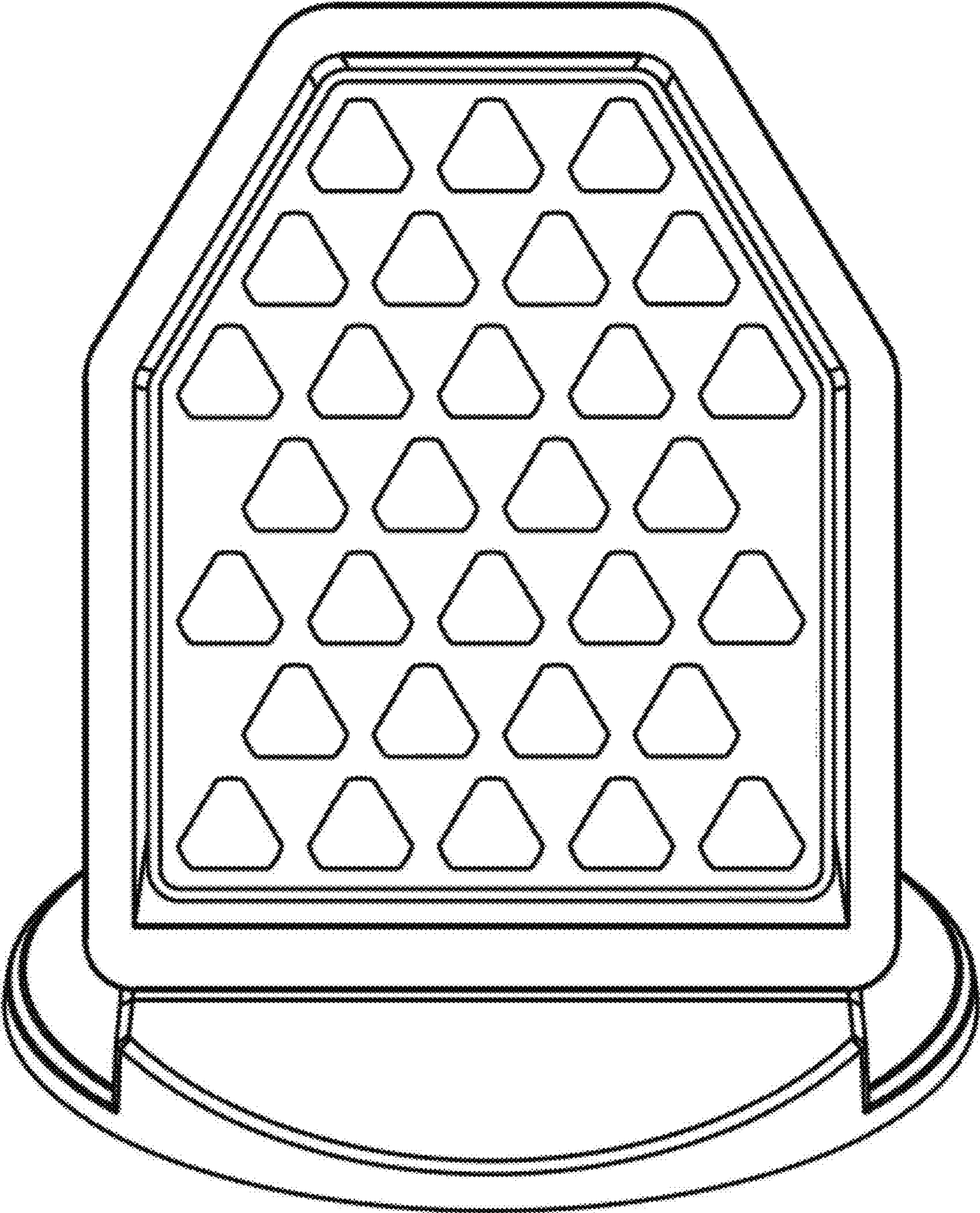
**DESCRIPTION**

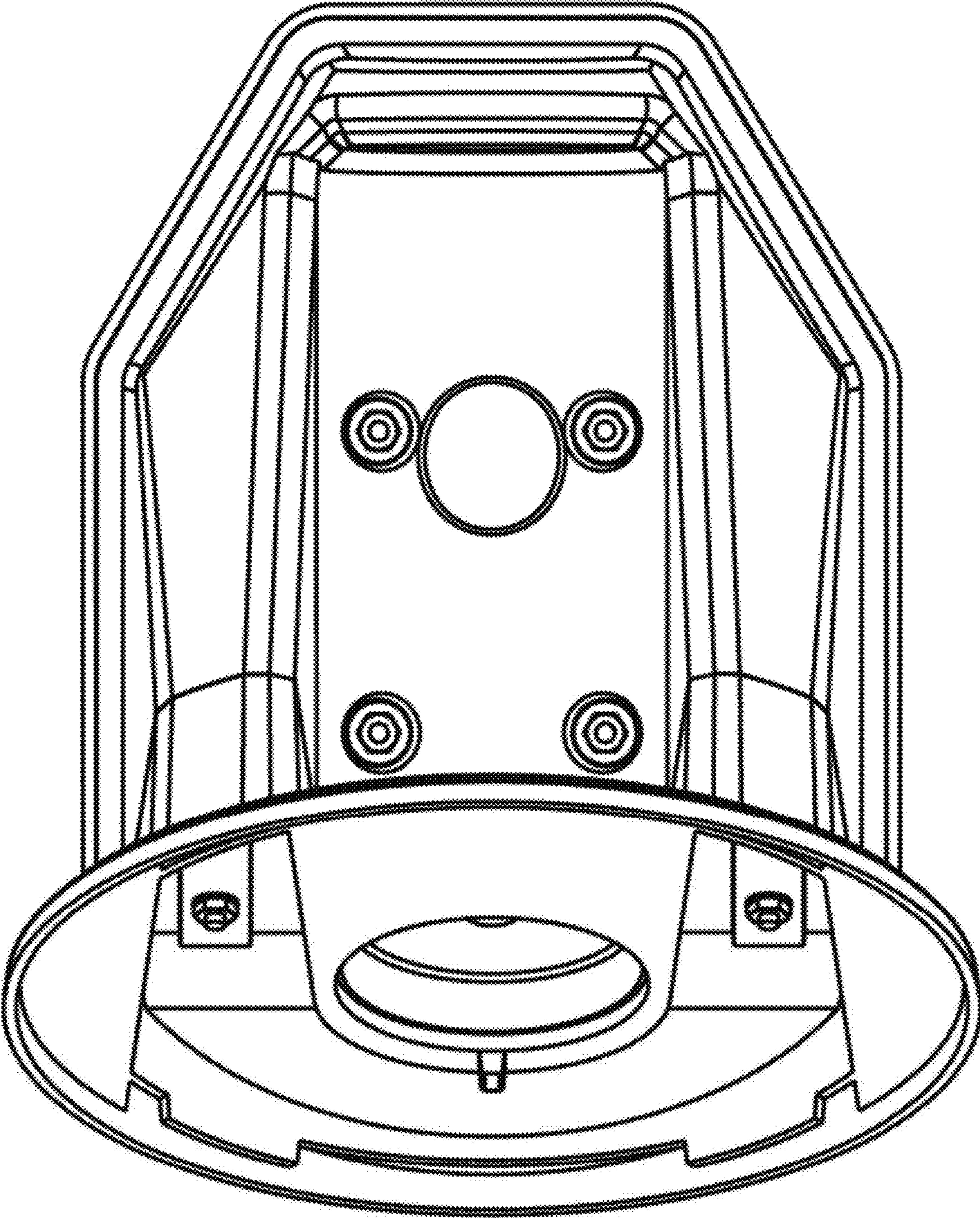
FIG. 1 is a front perspective view of the wheel alignment target body;  
FIG. 2 is a rear perspective view of the wheel alignment target body;  
FIG. 3 is right side plan view of the wheel alignment target body;  
FIG. 4 is top plan view of the wheel alignment target body;  
FIG. 5 is a left side plan view of the wheel alignment target body; and,  
FIG. 6 is a bottom side plane view of the wheel alignment target body.  
Broken lines, if any, shown within the drawings illustrate features that form no part of the claimed design.

**1 Claim, 6 Drawing Sheets**



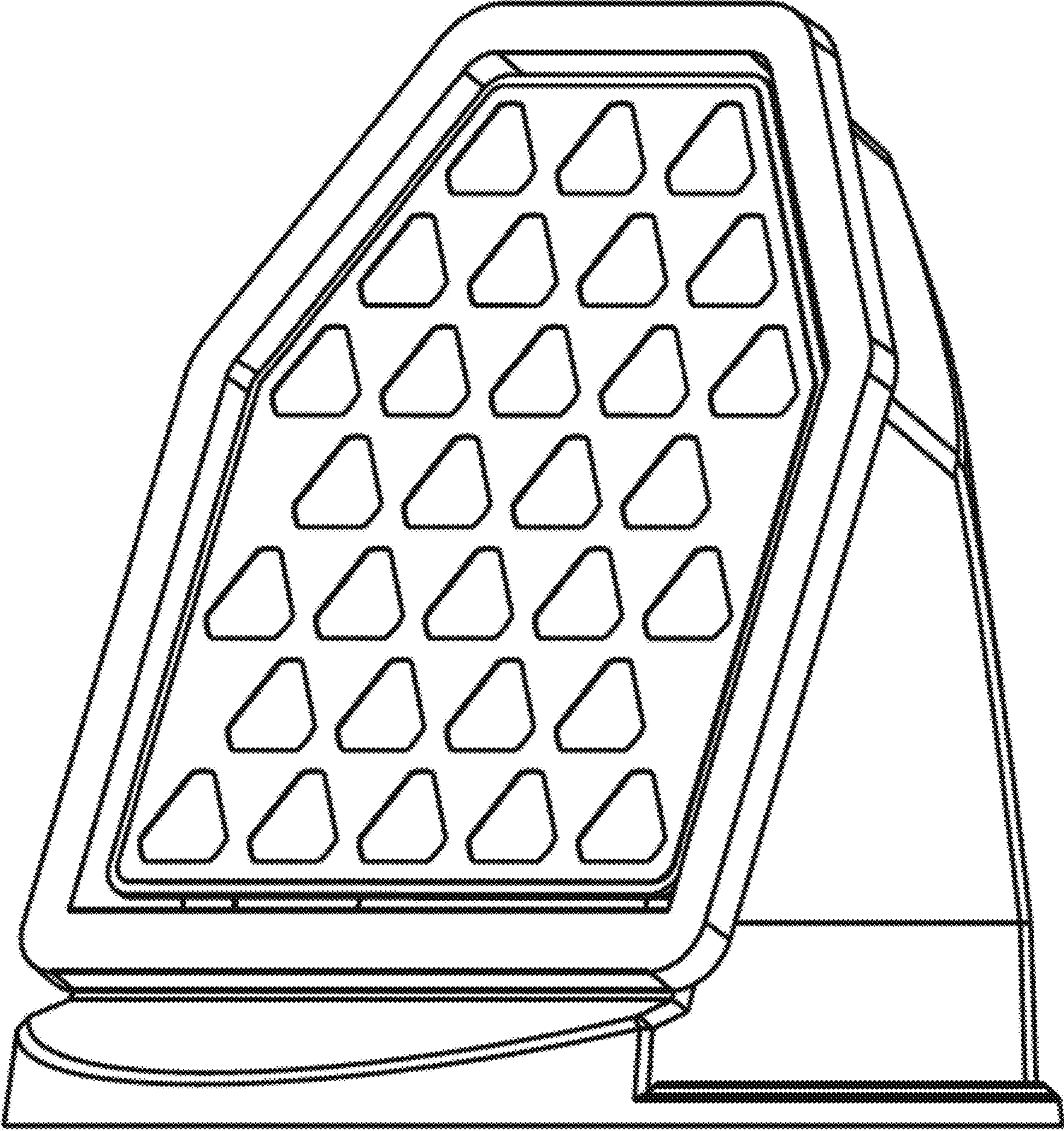
**FIGURE 1**



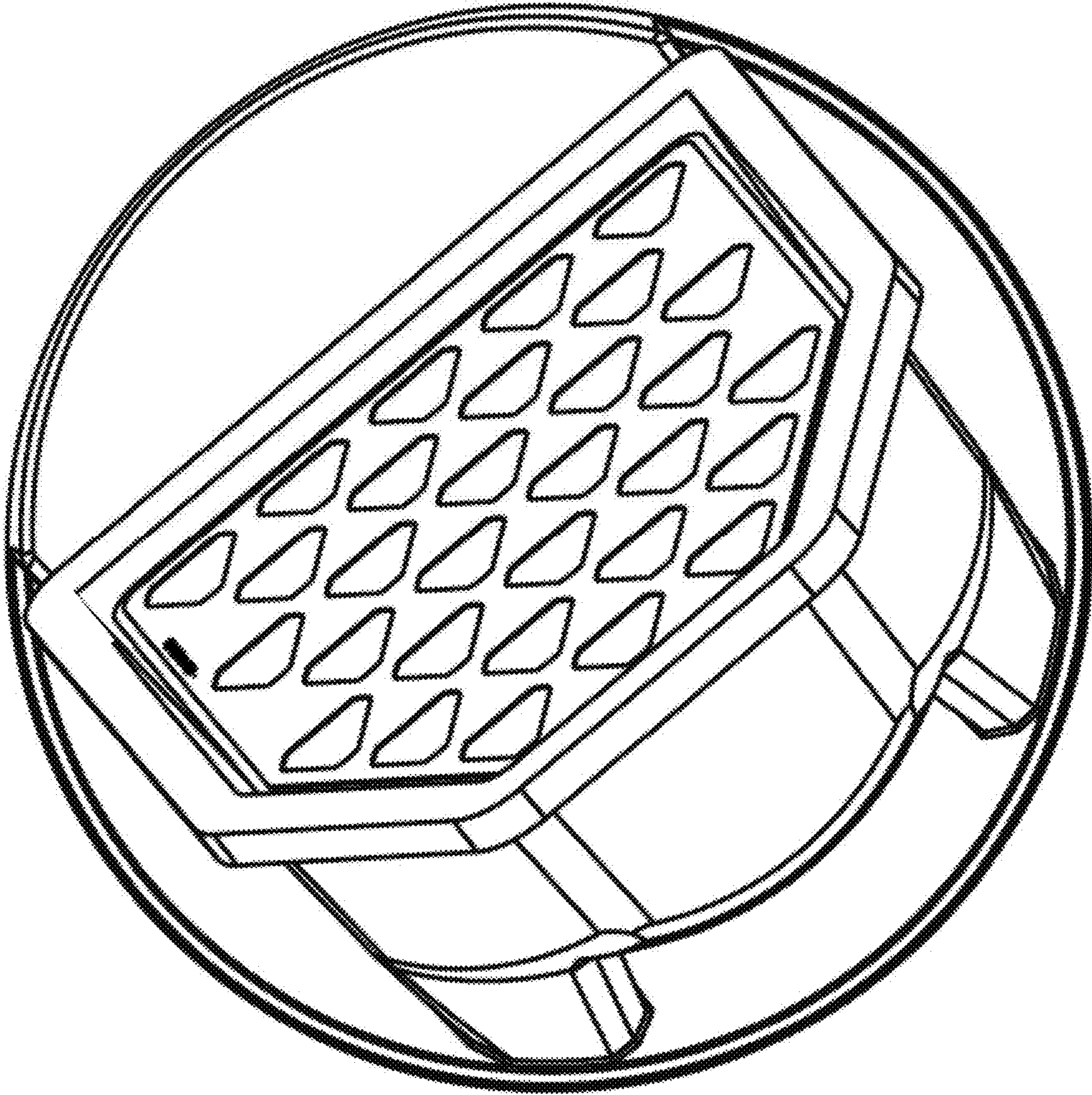


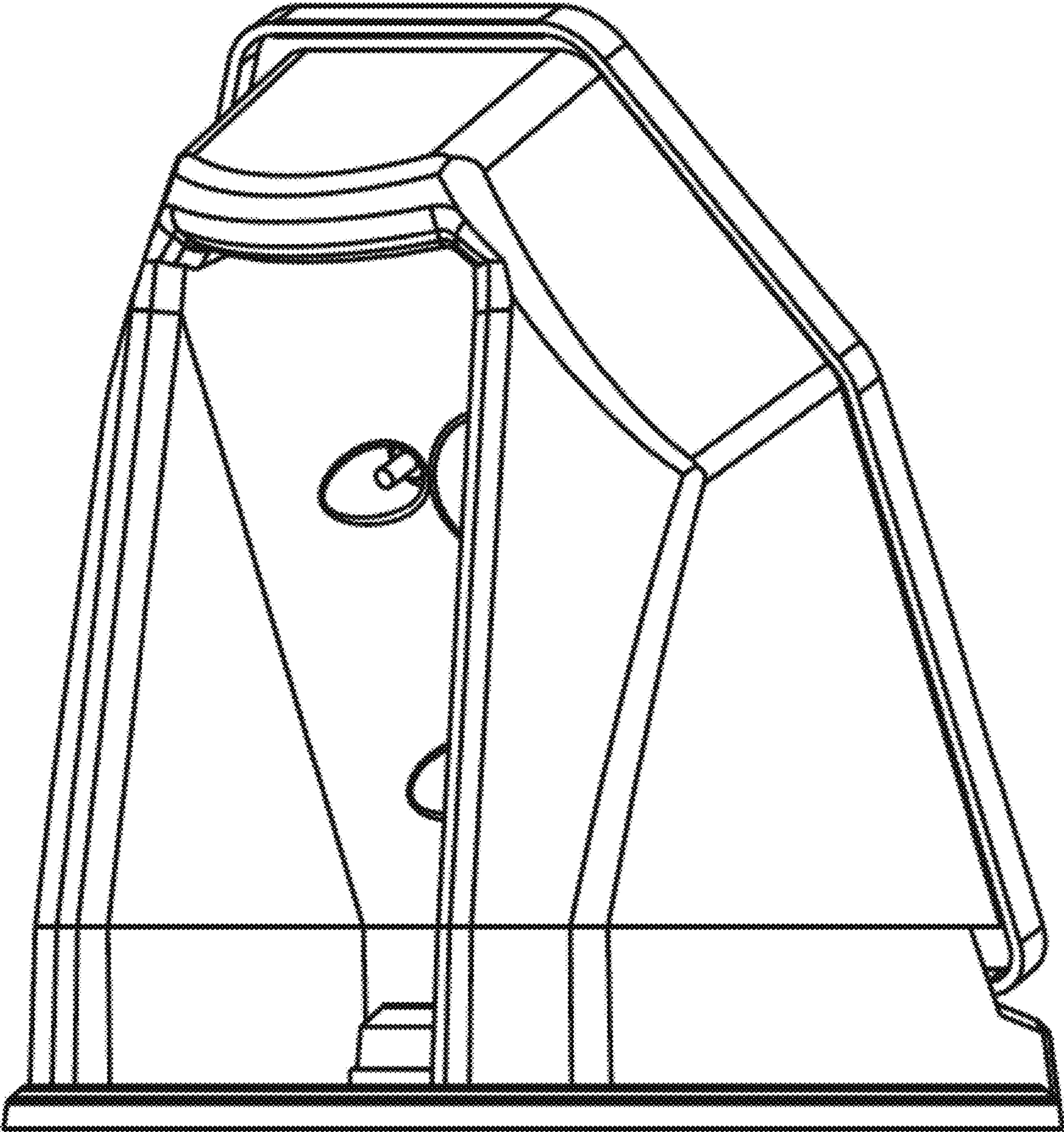
**FIGURE 2**

**FIGURE 3**



**FIGURE 4**





**FIGURE 5**

**FIGURE 6**

