



US00D819466S

(12) **United States Design Patent**
Linson et al.

(10) **Patent No.:** **US D819,466 S**
(45) **Date of Patent:** **** Jun. 5, 2018**

(54) **WHEEL ALIGNMENT TARGET**

8,341,848 B2 * 1/2013 Stieff G01B 11/2755
33/203.18

(71) Applicant: **Hunter Engineering Company**, St. Louis, MO (US)

* cited by examiner

(72) Inventors: **Dennis M. Linson**, St. Charles, MO (US); **Nicholas J. Colarelli, III**, Frontenac, MO (US)

Primary Examiner — Antoine Duval Davis
(74) *Attorney, Agent, or Firm* — Sandberg Phoenix

(73) Assignee: **Hunter Engineering Company**, St. Louis, MO (US)

(57) **CLAIM**

(**) Term: **15 Years**

The ornamental design for a wheel alignment target, as shown and described.

(21) Appl. No.: **29/599,511**

(22) Filed: **Apr. 4, 2017**

(51) **LOC (11) Cl.** **10-04**

(52) **U.S. Cl.**
USPC **D10/65; D10/102**

(58) **Field of Classification Search**
USPC D10/65, 102
CPC .. G01B 11/275; G01B 21/26; G01B 2210/30;
G01B 11/2755; G01B 2210/14; G01M
17/013; B60R 11/00; B60R 2011/004
See application file for complete search history.

DESCRIPTION

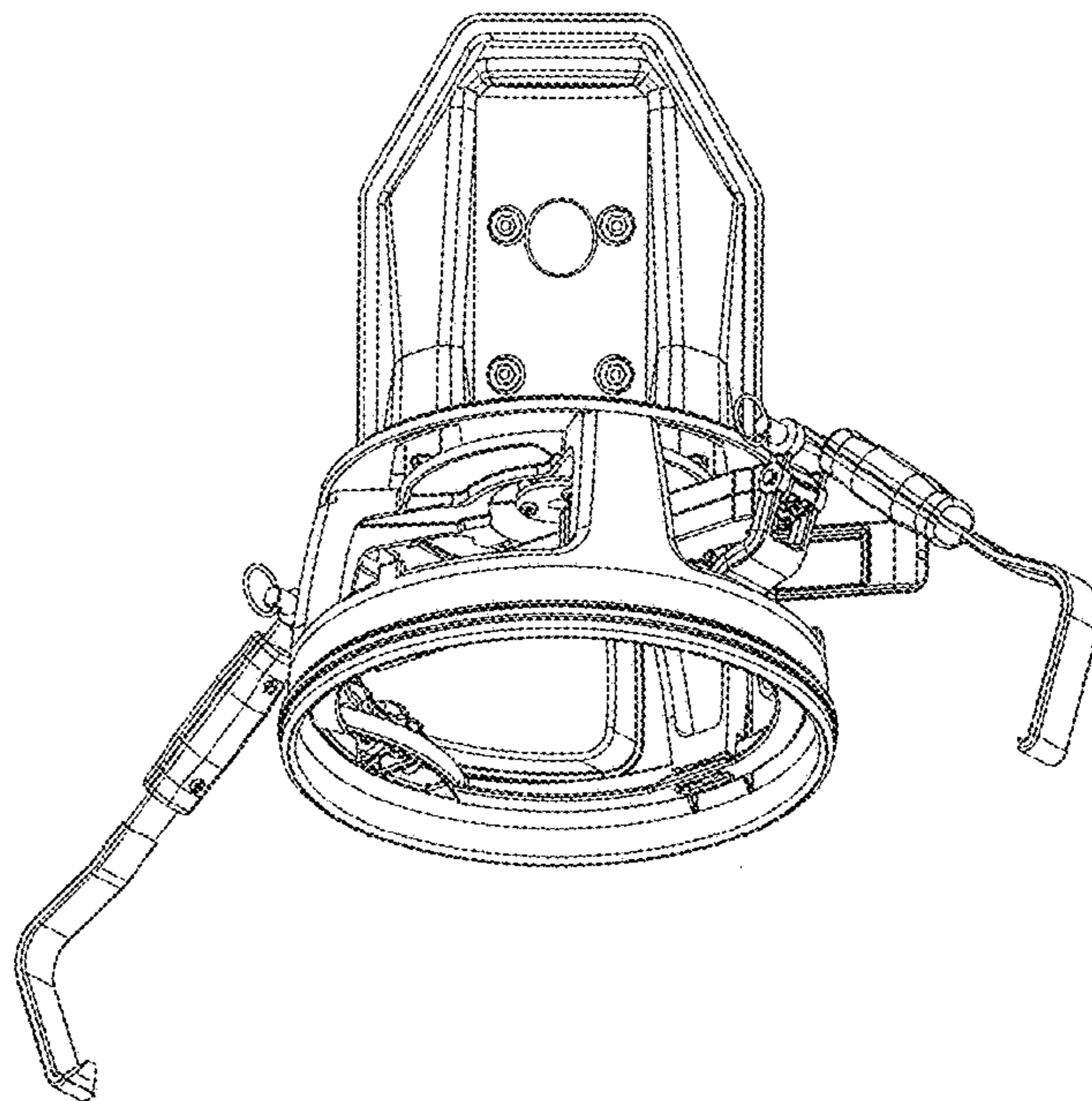
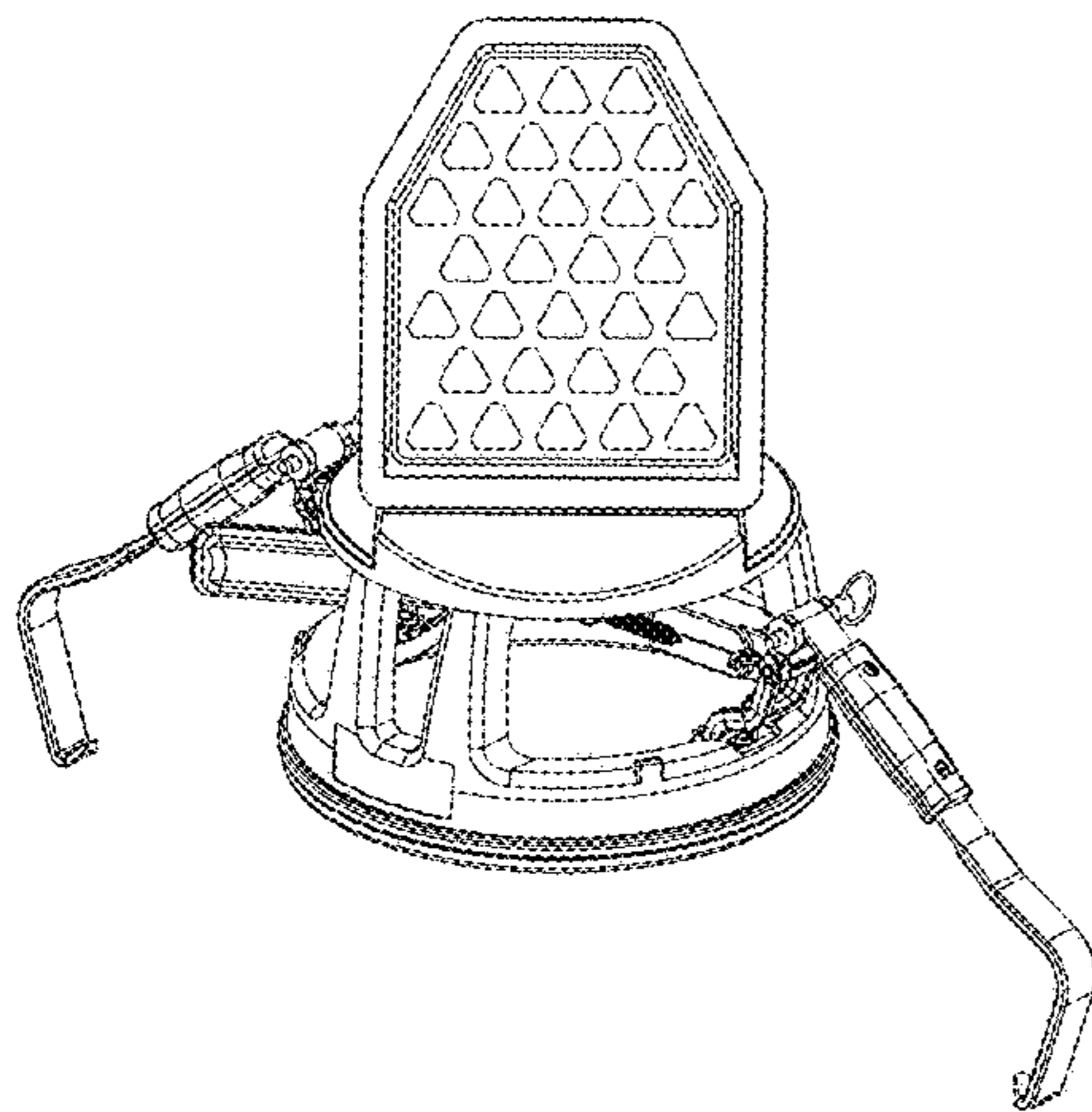
FIG. 1 is a front perspective view of the wheel alignment target;
FIG. 2 is a rear perspective view of the wheel alignment target;
FIG. 3 is a front plan view of the wheel alignment target;
FIG. 4 is a rear plan view of the wheel alignment target;
FIG. 5 is top plan view of the wheel alignment target;
FIG. 6 is bottom plan view of the wheel alignment target;
FIG. 7 is a right side plan view of the wheel alignment target; and,
FIG. 8 is a left side plane view of the wheel alignment target.
Broken lines, if any, shown within the drawings illustrate features that form no part of the claimed design.

(56) **References Cited**

U.S. PATENT DOCUMENTS

D554,543 S 11/2007 Meyer
D636,003 S 4/2011 Linson et al.
D667,037 S 9/2012 Linson et al.

1 Claim, 8 Drawing Sheets



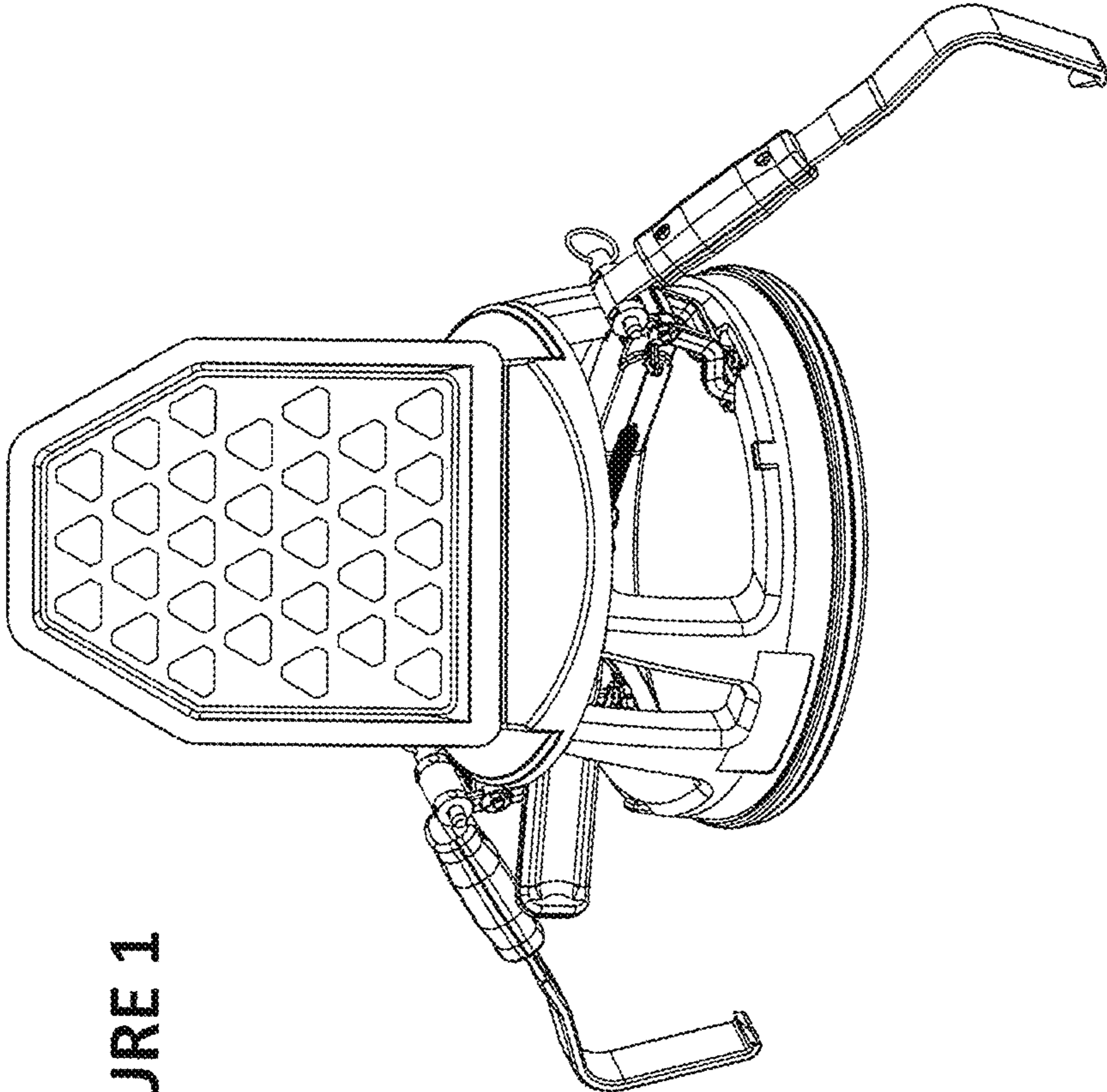


FIGURE 1

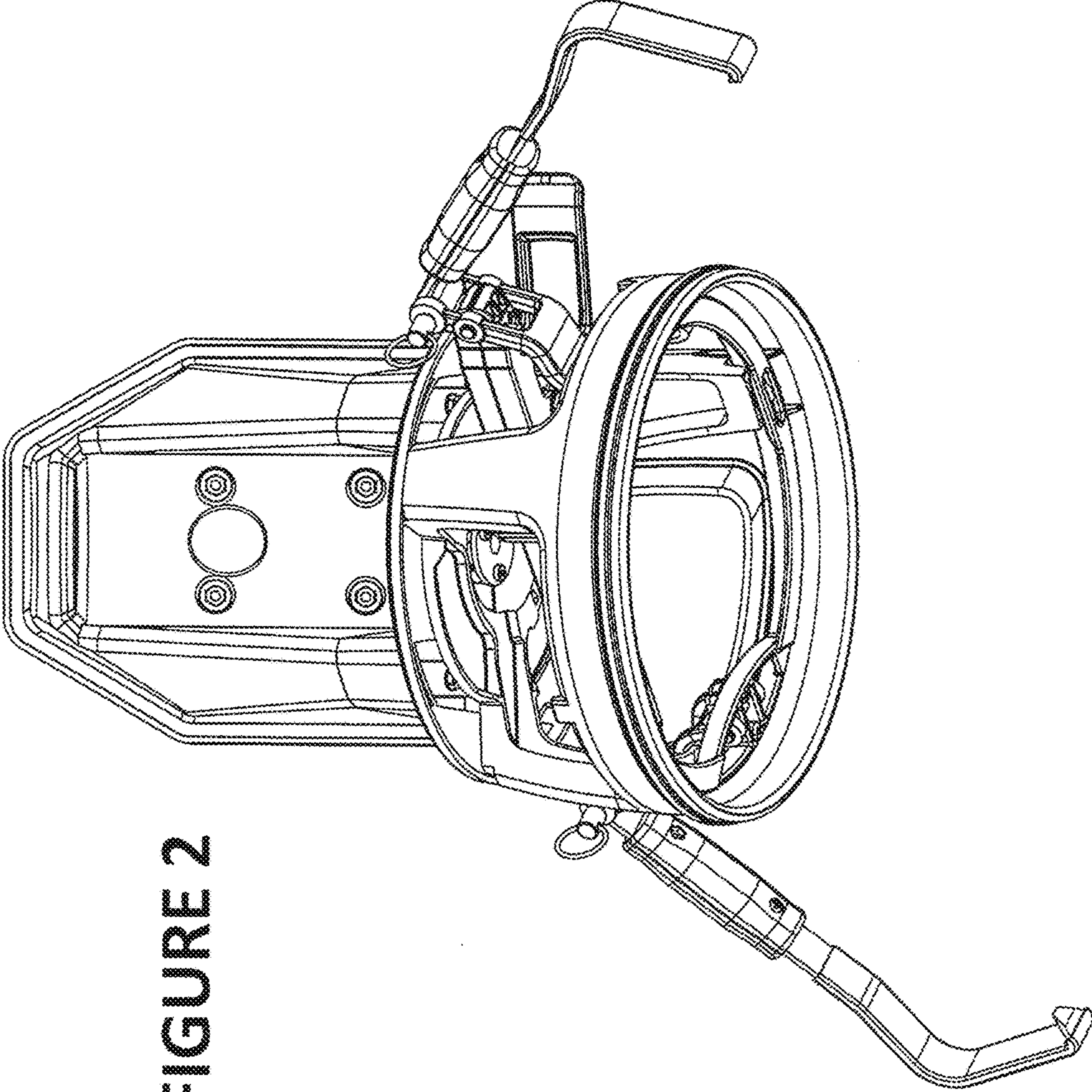


FIGURE 2

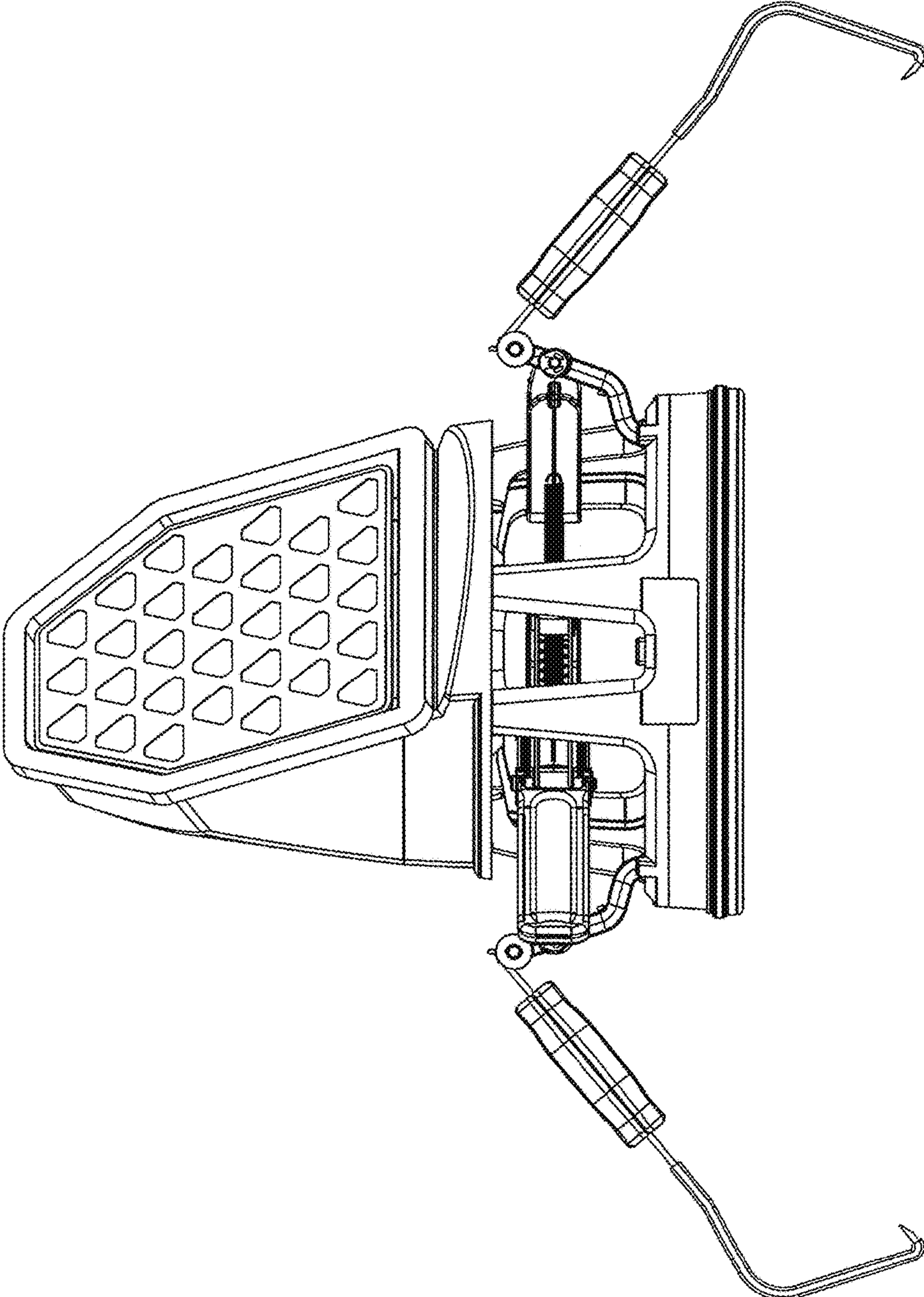


FIGURE 3

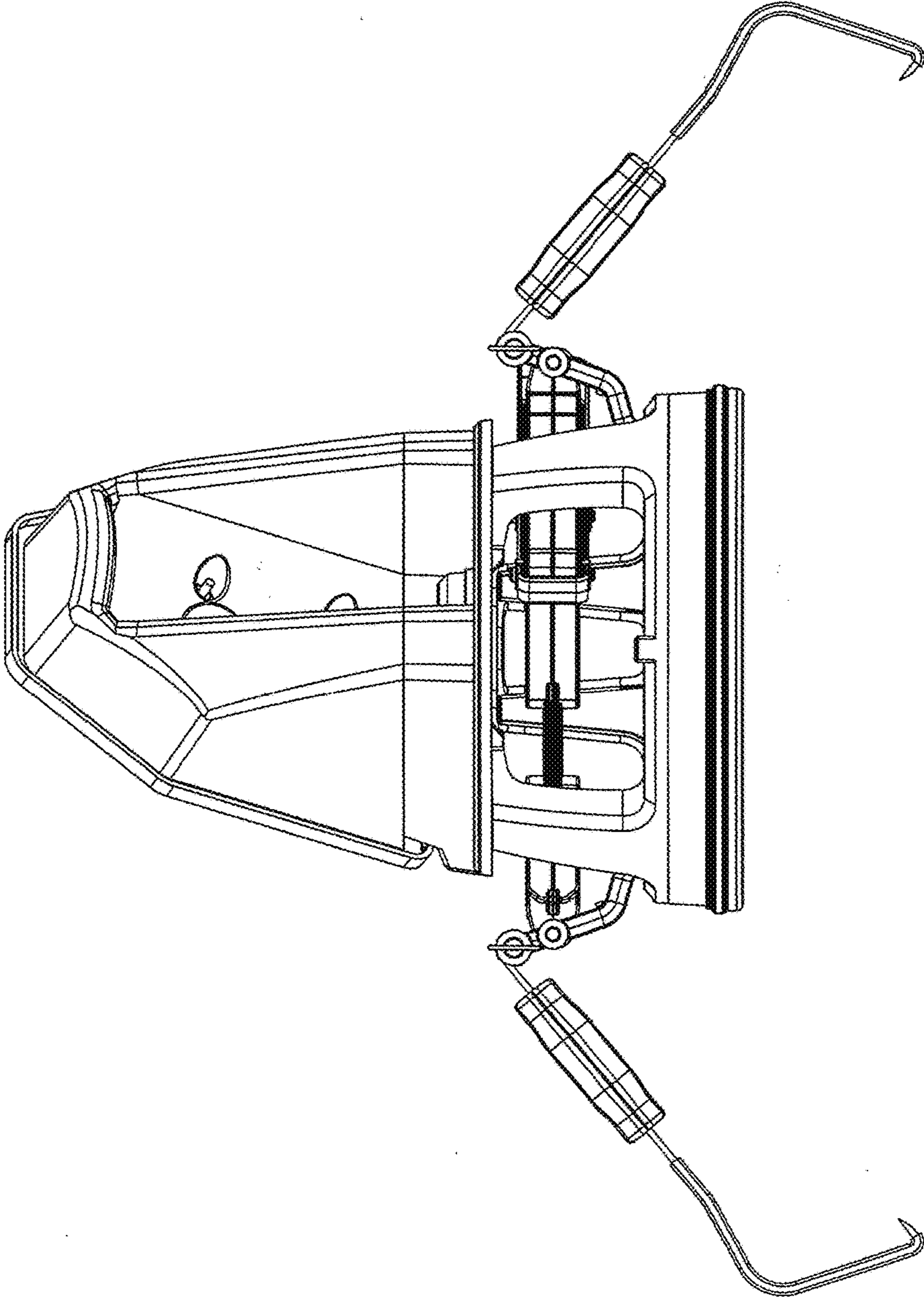


FIGURE 4

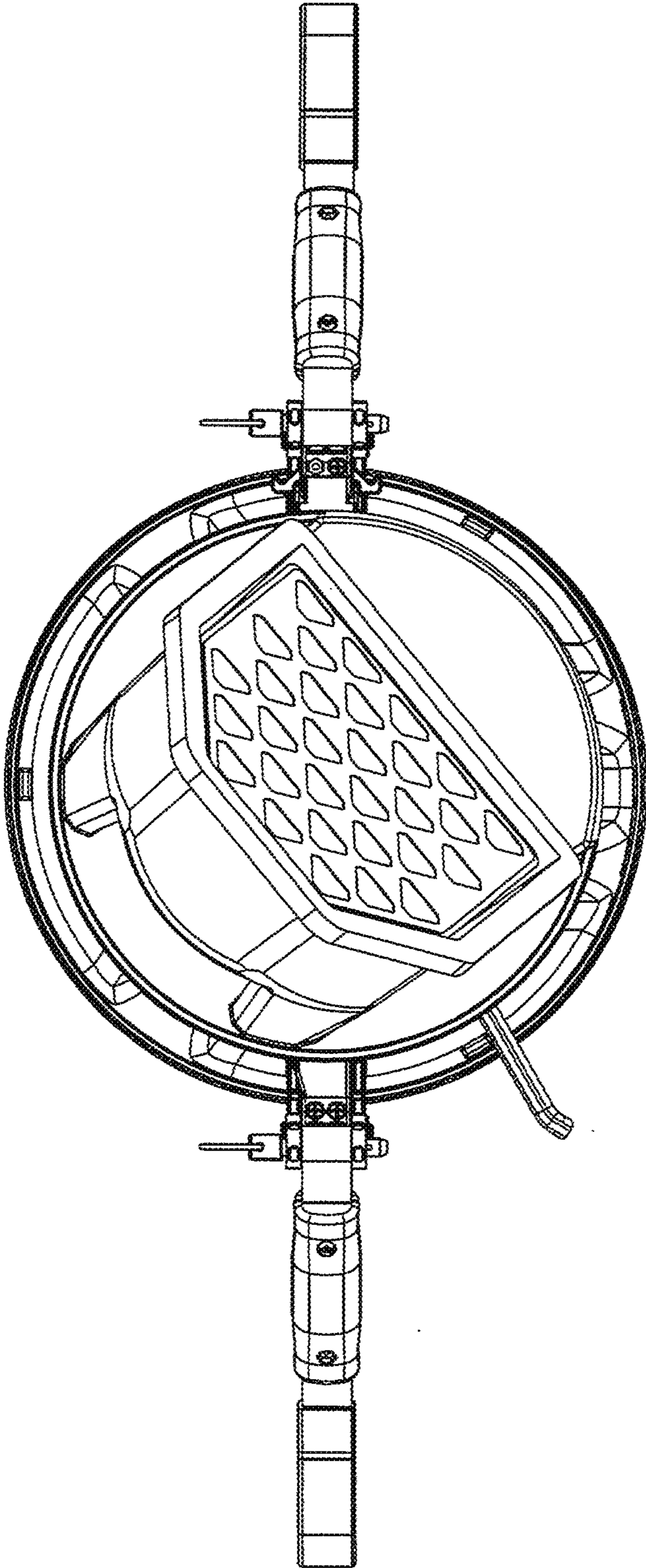


FIGURE 5

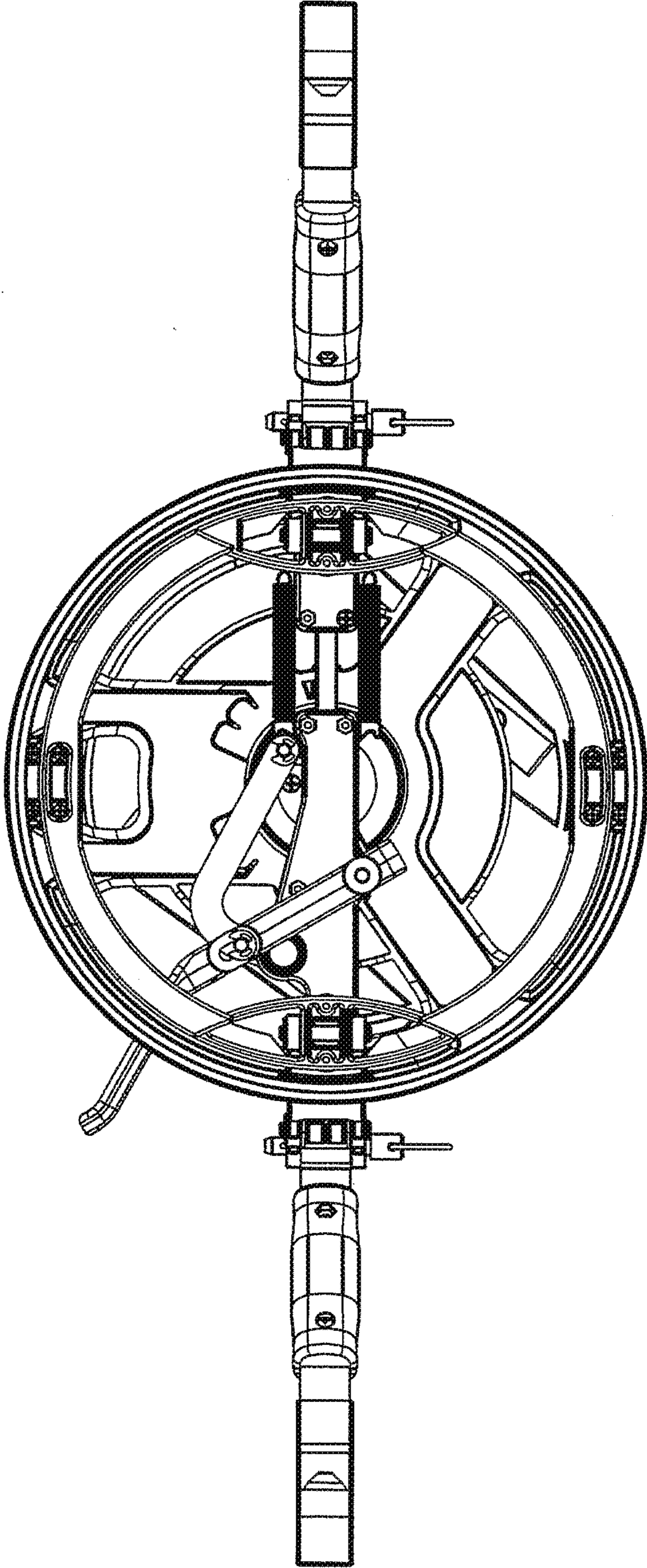
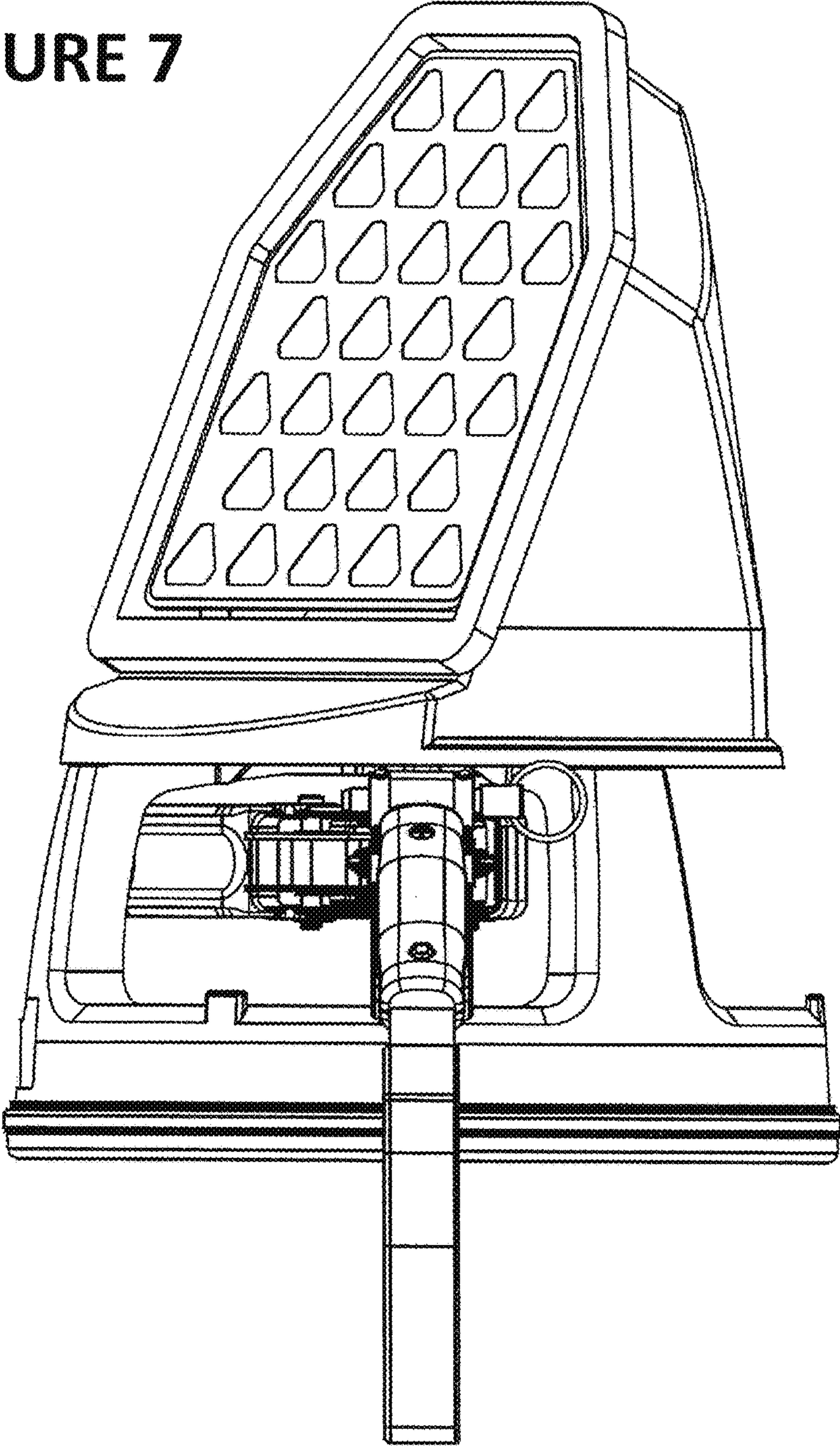


FIGURE 6

FIGURE 7



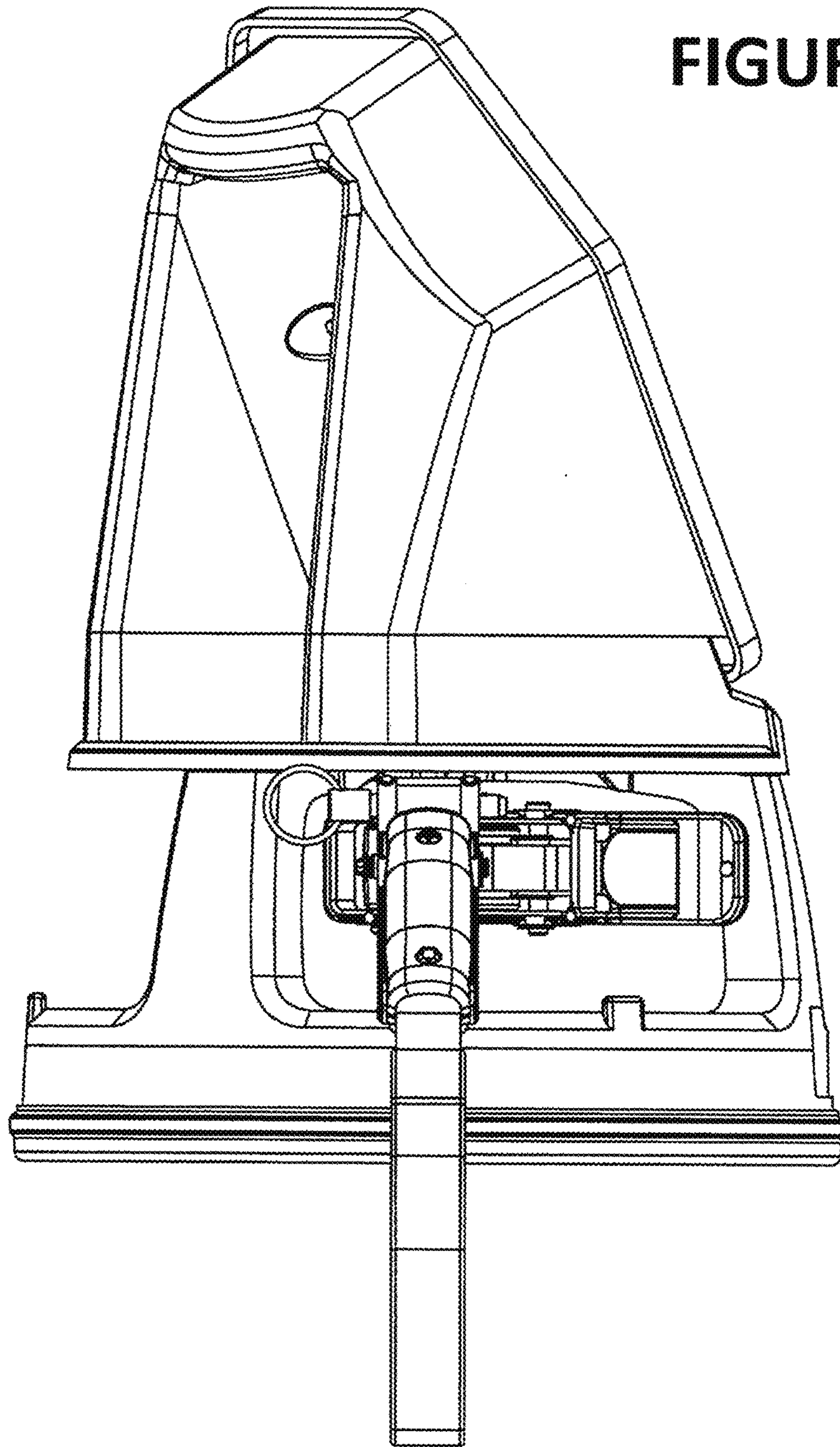


FIGURE 8