



US00D819462S

(12) **United States Design Patent**
Larouche

(10) **Patent No.:** **US D819,462 S**
(45) **Date of Patent:** **** Jun. 5, 2018**

(54) **SWIMMING POOL THERMOMETER**

(71) Applicant: **CPA POOL PRODUCTS, INC.**,
Blainville (CA)

(72) Inventor: **Annie Larouche**, Mascouche (CA)

(73) Assignee: **CPA POOL PRODUCTS, INC.**,
Blainville (CA)

(**) Term: **15 Years**

(21) Appl. No.: **29/612,291**

(22) Filed: **Jul. 31, 2017**

Related U.S. Application Data

(62) Division of application No. 29/561,587, filed on Apr. 18, 2016, now Pat. No. Des. 798,749.

(51) **LOC (11) Cl.** **10-04**

(52) **U.S. Cl.**
USPC **D10/58**

(58) **Field of Classification Search**
USPC D10/57, 58
CPC G01K 1/02; G01K 1/022; G01K 1/024;
G01K 1/08; G01K 1/14; G01K 1/143;
G01K 13/00; G01K 2013/026

See application file for complete search history.

(56) **References Cited**

U.S. PATENT DOCUMENTS

D564,920	S	*	3/2008	Schoenjohn	D10/58
D726,034	S	*	4/2015	Chalifoux	D10/57
D795,101	S	*	8/2017	Alla	D10/57
D795,105	S	*	8/2017	Alla	D10/57

* cited by examiner

Primary Examiner — Antoine Duval Davis

(74) *Attorney, Agent, or Firm* — Hodgson Russ LLP

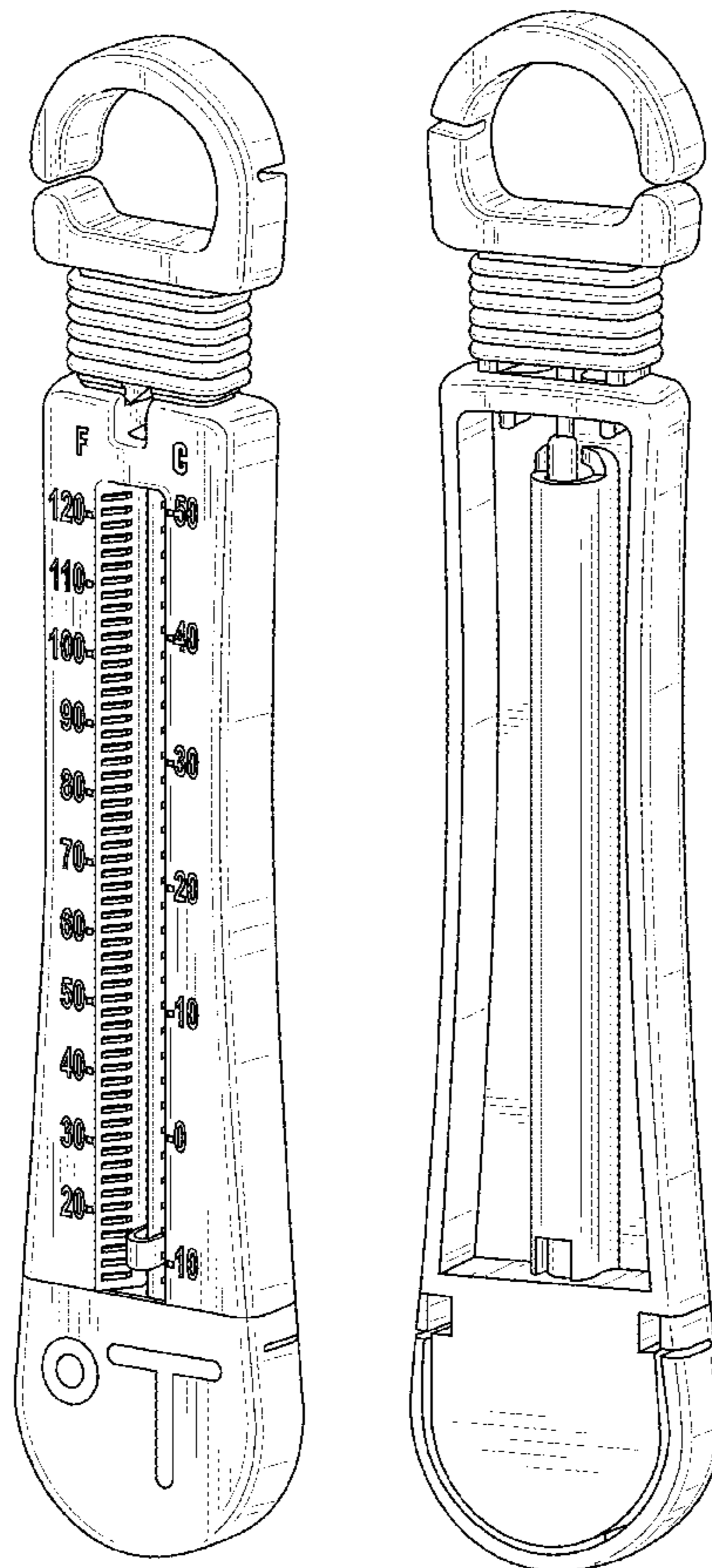
(57) **CLAIM**

The ornamental design for a swimming pool thermometer, as shown and described.

DESCRIPTION

FIG. 1 is a front perspective view of a swimming pool thermometer showing my new design;
FIG. 2 is a rear perspective view thereof;
FIG. 3 is a front elevational view thereof;
FIG. 4 is a rear elevational bottom view thereof;
FIG. 5 is a left side elevational view thereof;
FIG. 6 is a right side elevational view thereof;
FIG. 7 is a top view thereof; and,
FIG. 8 is a bottom view thereof.

1 Claim, 6 Drawing Sheets



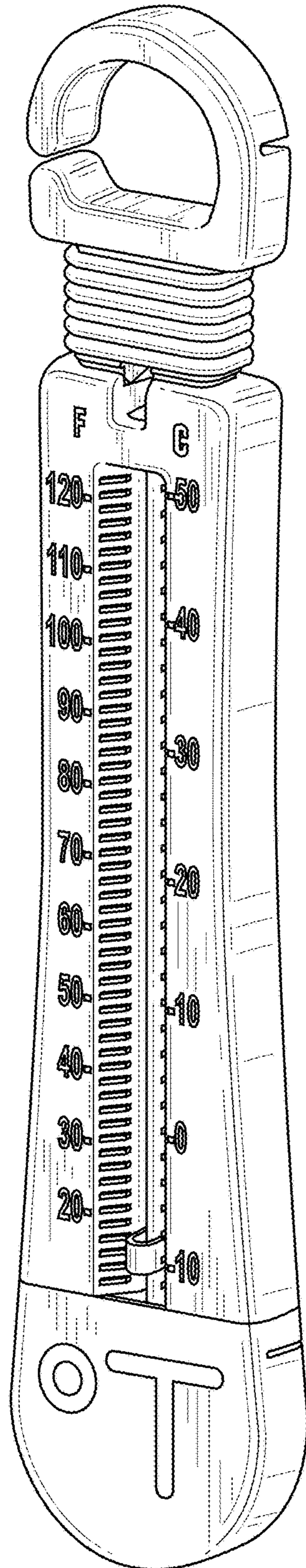


FIG. 1

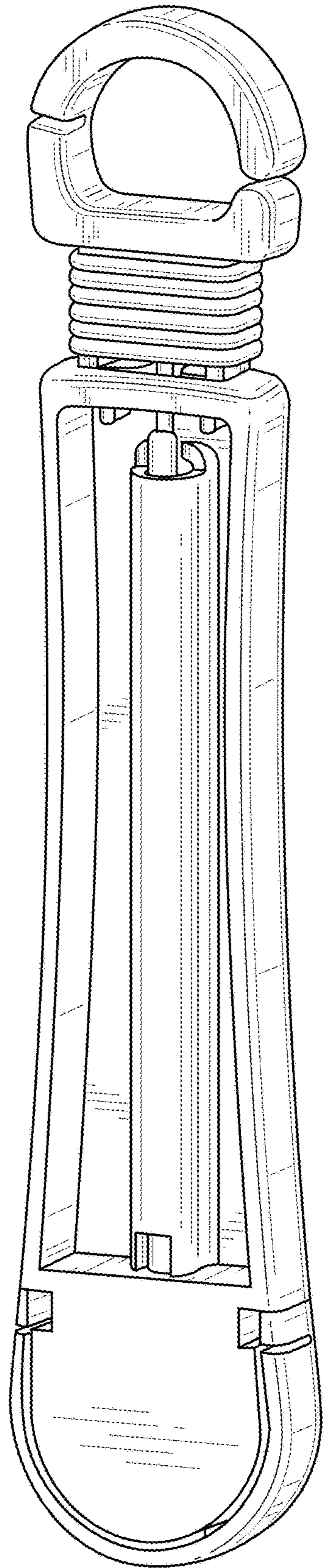


FIG. 2

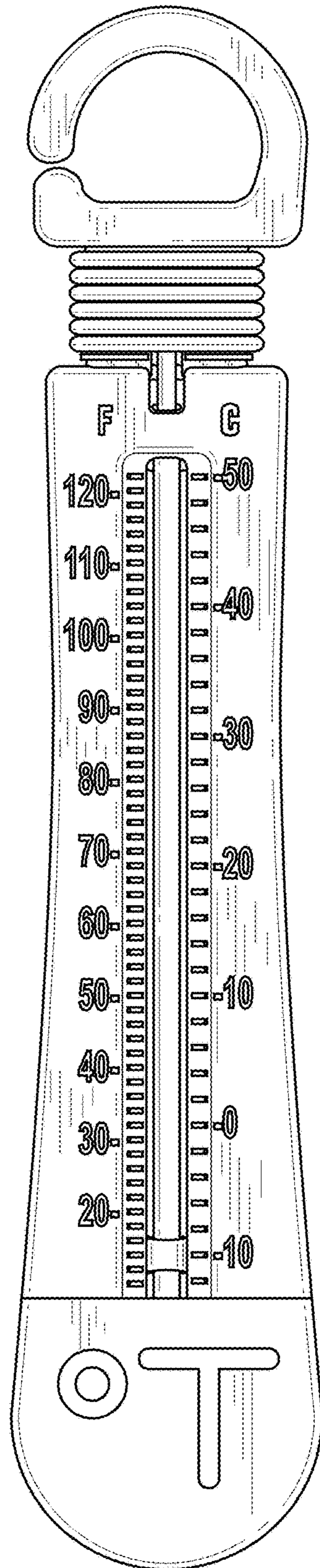


FIG. 3

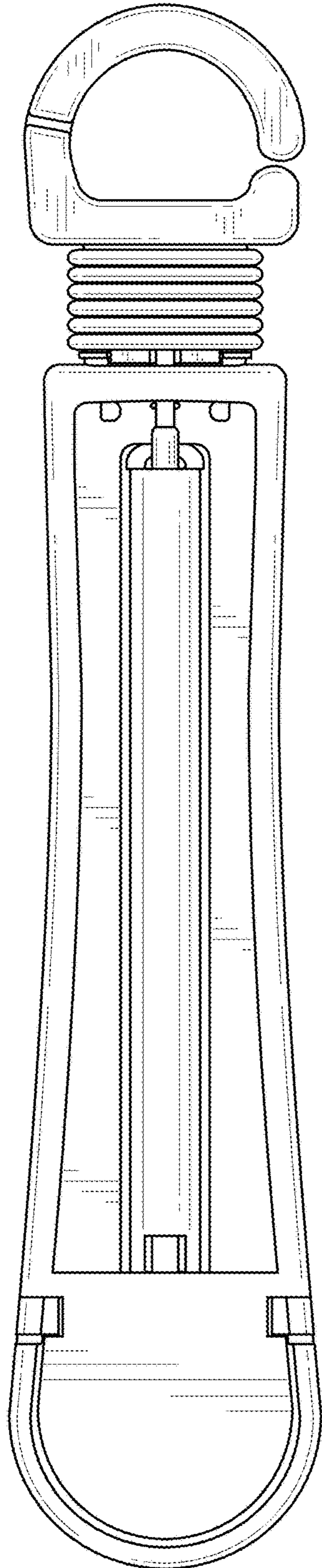


FIG. 4

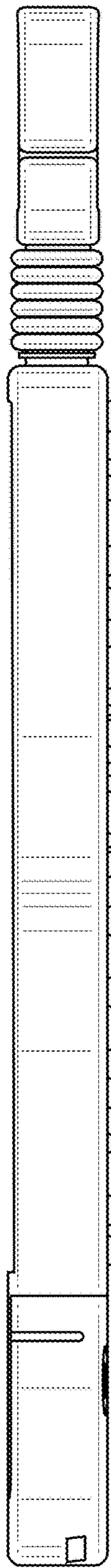


FIG. 5

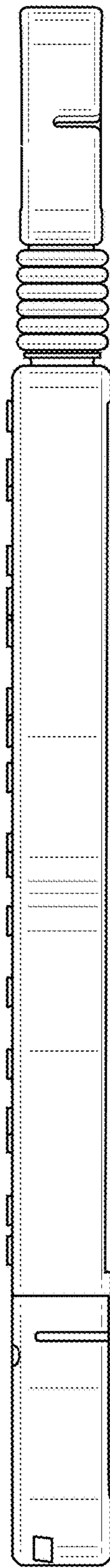


FIG. 6

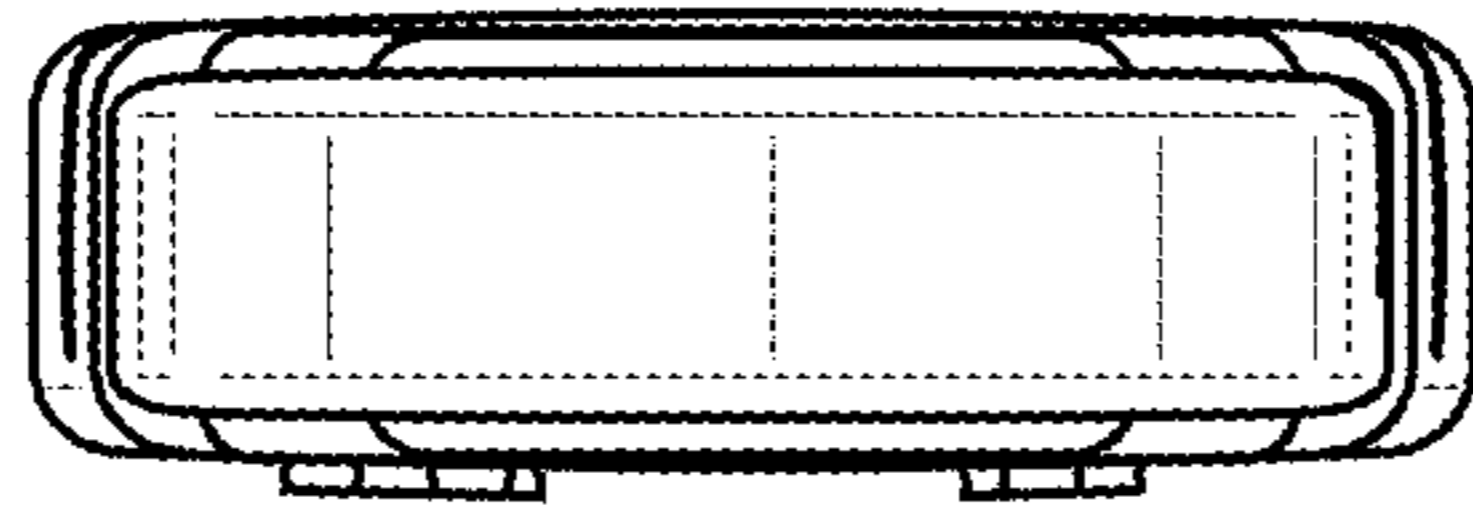


FIG. 7

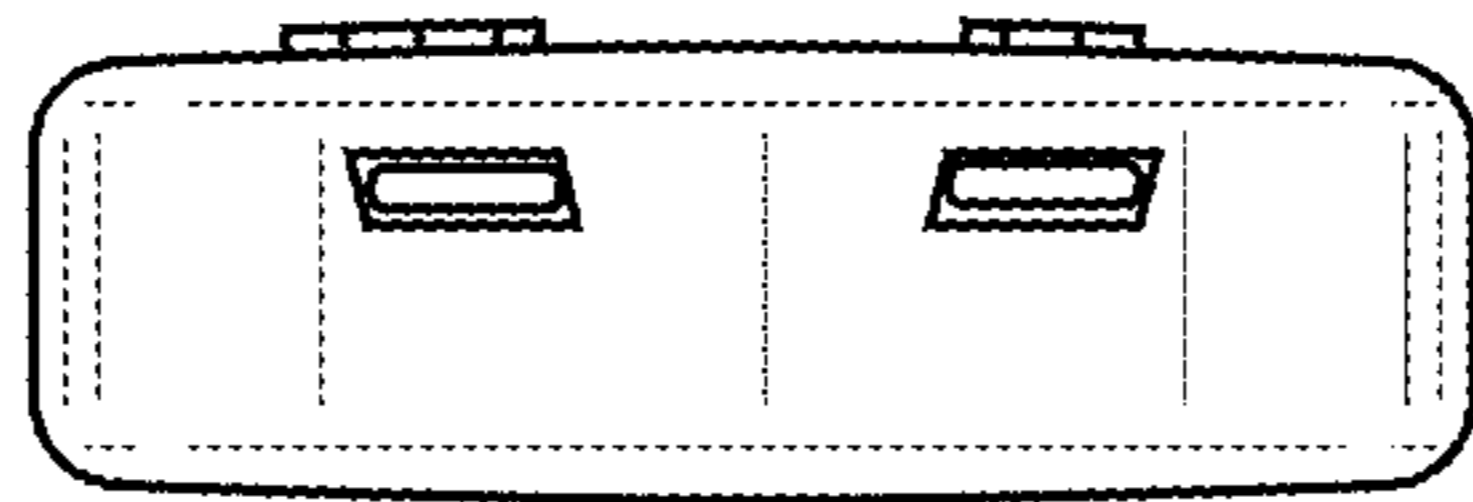


FIG. 8