



US00D819457S

(12) **United States Design Patent**  
**Tucker**

(10) **Patent No.:** **US D819,457 S**  
(45) **Date of Patent:** **\*\* Jun. 5, 2018**

- (54) **DRINKING CONTAINER**
- (71) Applicant: **Shawn Tucker**, Kingwood, TX (US)
- (72) Inventor: **Shawn Tucker**, Kingwood, TX (US)
- (\*\*) Term: **15 Years**
- (21) Appl. No.: **29/575,393**
- (22) Filed: **Aug. 24, 2016**
- (51) **LOC (11) Cl.** ..... **09-01**
- (52) **U.S. Cl.**  
USPC ..... **D9/772**
- (58) **Field of Classification Search**  
USPC ..... D9/500, 502, 516, 530, 537, 539, 542,  
D9/549, 551, 438, 454, 446, 520,  
D9/763-783, 745, 743, 744, 601, 531,  
D9/503, 504, 434, 435, 447, 643, 645,  
D9/647, 428; 215/381-385; 220/660,  
220/669, 675; D7/601, 602, 612, 615,  
D7/645, 646, 536, 511, 510, 509, 507;  
D27/172, 187, 189, 193, 183, 186;  
D23/211.1, 211.2, 211  
CPC ... B65D 1/00; B65D 1/02; B65D 1/12; B65D  
1/14; B65D 1/40; B65D 1/44; B65D  
1/023; B65D 1/0223; B65D 1/165; B65D  
1/238; B65D 1/246; B65D 1/253; B65D  
21/0209; B65D 21/0233; B65D 25/00;  
B65D 25/28; B65D 41/0457; B65D  
41/17; B65D 53/06; B65D 75/56; B65D  
79/005; B65D 2501/0036; B65D  
2543/00064; B65D 2543/00074; B65D  
2543/00083; B65D 2543/00092; B65D  
2543/00101; B65D 2543/00111; D65D  
7/04

See application file for complete search history.

(56) **References Cited**

**U.S. PATENT DOCUMENTS**

- D173,780 S \* 1/1955 Benson ..... D7/312
- D177,570 S \* 5/1956 James ..... D7/612

- D282,442 S \* 2/1986 Kohnle ..... D9/530
- D285,903 S \* 9/1986 Courtman ..... D9/540
- D299,992 S \* 2/1989 Michel ..... D7/539
- D302,116 S \* 7/1989 Cassai ..... D9/549
- D318,221 S \* 7/1991 Zoller ..... D9/575
- D329,608 S \* 9/1992 Bech ..... D9/520
- D340,867 S \* 11/1993 Martin ..... D9/530
- 5,301,830 A \* 4/1994 Muller ..... B65D 17/02  
220/669
- D349,218 S \* 8/1994 Evans ..... D7/606
- D376,541 S \* 12/1996 Gobe ..... D9/542
- D392,560 S \* 3/1998 Lee ..... D7/514
- D395,395 S \* 6/1998 De Muschamp Payne ... D9/772
- D411,750 S \* 6/1999 Forecast ..... D9/520
- D429,648 S \* 8/2000 Goettner ..... D9/540
- 6,112,932 A \* 9/2000 Holdren ..... B65D 17/4012  
220/269
- D431,469 S \* 10/2000 Solland ..... D9/503

(Continued)

*Primary Examiner* — Keli L Hill  
*Assistant Examiner* — Karra S Johnson  
 (74) *Attorney, Agent, or Firm* — Law Office of Jeff  
 Williams; J. Oliver Williams

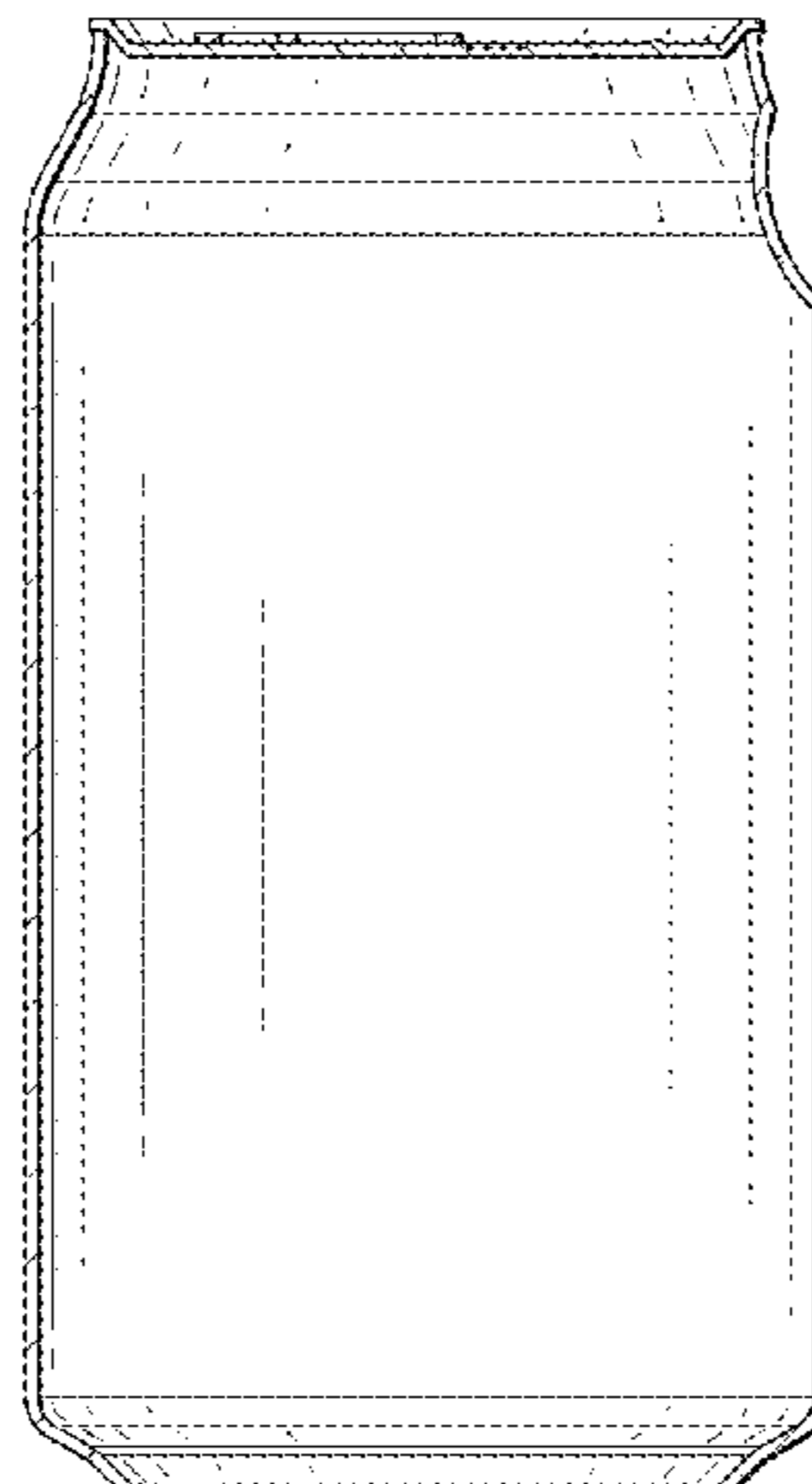
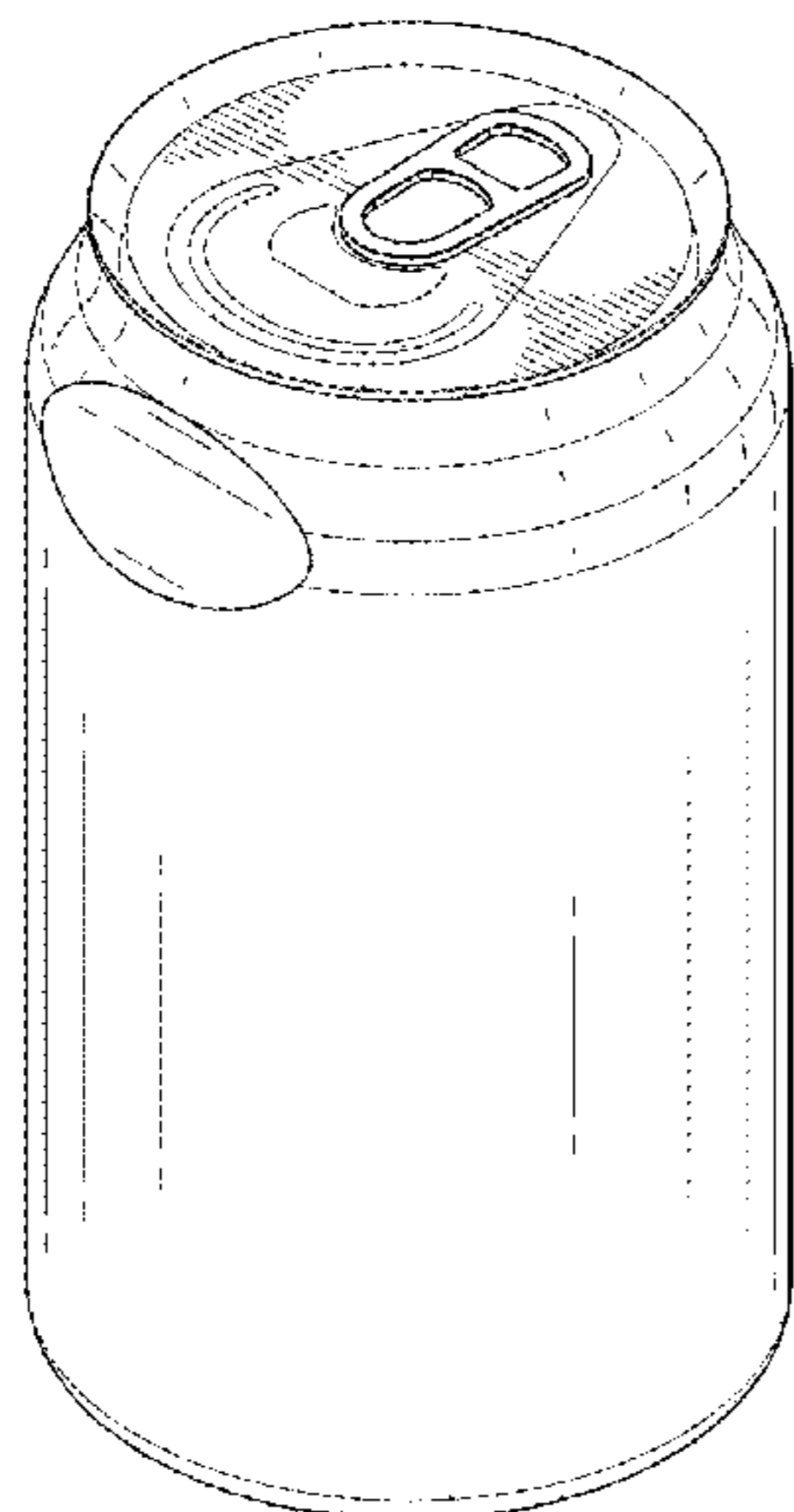
(57) **CLAIM**

The ornamental design for a drinking container, as shown.

**DESCRIPTION**

FIG. 1 is a perspective view of a drinking container according to the present application.  
 FIG. 2 is a front view of the drinking container of FIG. 1.  
 FIG. 3 is a rear view of the drinking container of FIG. 1.  
 FIG. 4 is a right view of the drinking container of FIG. 1.  
 FIG. 5 is a left view of the drinking container of FIG. 1.  
 FIG. 6 is a top view of the drinking container of FIG. 1.  
 FIG. 7 is a bottom view of the drinking container of FIG. 1;  
 and,  
 FIG. 8 is a cross sectional view, taken in the direction of line  
 8-8 in FIG. 2.

**1 Claim, 5 Drawing Sheets**



(56)

References Cited

U.S. PATENT DOCUMENTS

6,250,491 B1 \* 6/2001 Lee ..... B65D 17/402  
 220/269  
 D476,234 S \* 6/2003 Steele, IV ..... D9/516  
 6,648,169 B1 \* 11/2003 Berger ..... B65D 17/4012  
 220/716  
 D486,066 S \* 2/2004 Hannen ..... D9/523  
 D505,294 S \* 5/2005 Gauss ..... D7/392.1  
 D512,314 S \* 12/2005 Cervantes ..... D9/504  
 6,981,608 B2 \* 1/2006 Battmer ..... B65D 17/4012  
 220/269  
 D536,986 S \* 2/2007 Nix ..... D9/551  
 D540,189 S \* 4/2007 Larocca ..... D9/449  
 D544,351 S \* 6/2007 Dittmer ..... D9/446  
 D594,167 S \* 6/2009 Chavez, II ..... D34/10  
 D604,181 S \* 11/2009 Reimer ..... D9/766  
 D612,747 S \* 3/2010 Ball ..... D9/772  
 D625,469 S \* 10/2010 Dubitsky ..... D28/84  
 7,975,883 B2 \* 7/2011 Laib ..... B65D 47/0895  
 222/484  
 D645,352 S \* 9/2011 Bore ..... D9/443  
 D646,578 S \* 10/2011 Marais ..... D9/540  
 D653,552 S \* 2/2012 Chupak ..... D9/556  
 D653,964 S \* 2/2012 Cepetic ..... D9/773  
 D668,154 S \* 10/2012 Milne ..... D9/434  
 D671,843 S \* 12/2012 Plosky ..... D9/773  
 D688,136 S \* 8/2013 Kuo ..... D9/414  
 D767,410 S \* 9/2016 Pajauskas ..... D9/551  
 D801,194 S \* 10/2017 Pajauskas ..... D9/772  
 D809,395 S \* 2/2018 Allessio ..... D9/529  
 2008/0047865 A1 \* 2/2008 Willat ..... A47G 19/2205  
 206/509

\* cited by examiner

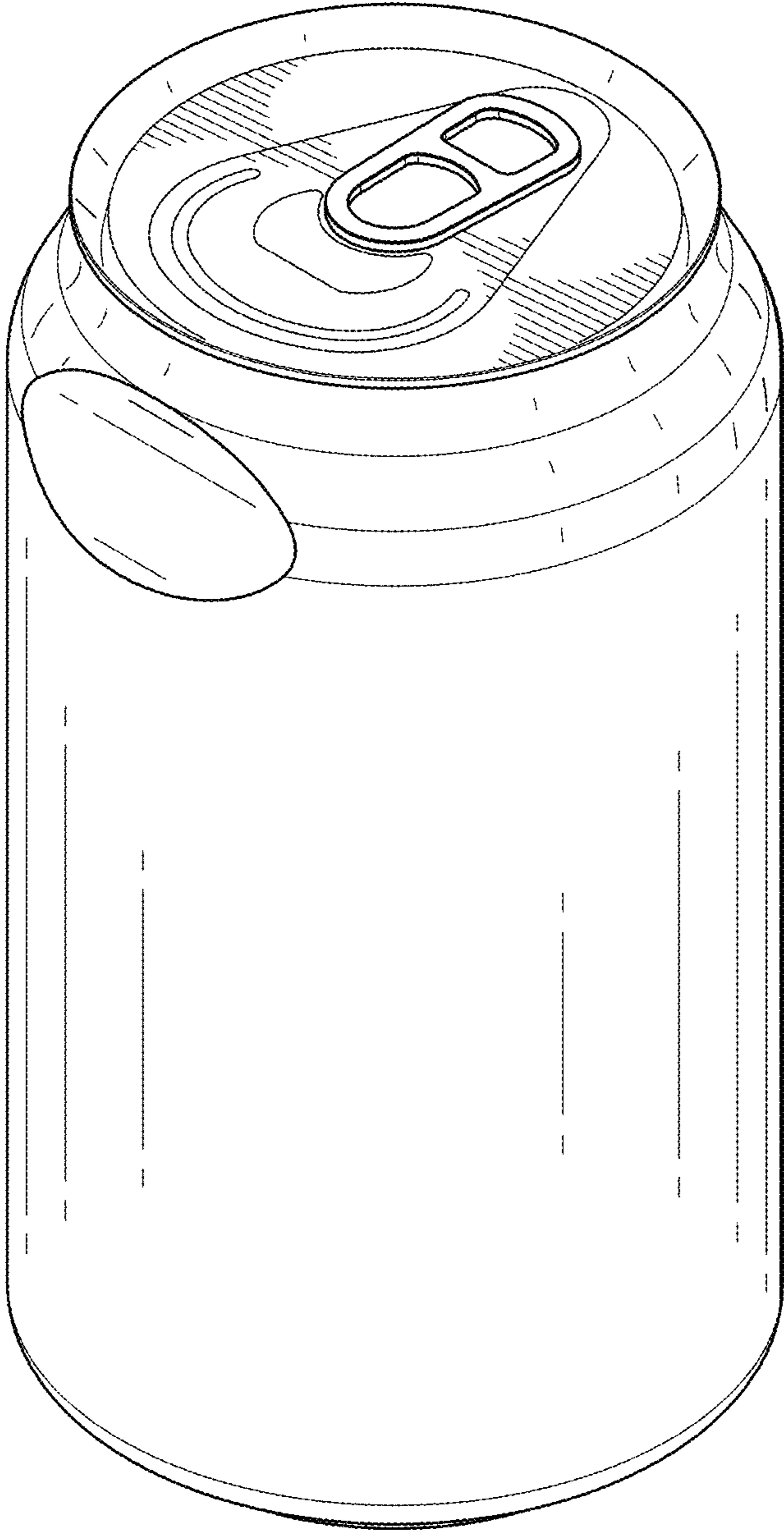


FIG. 1

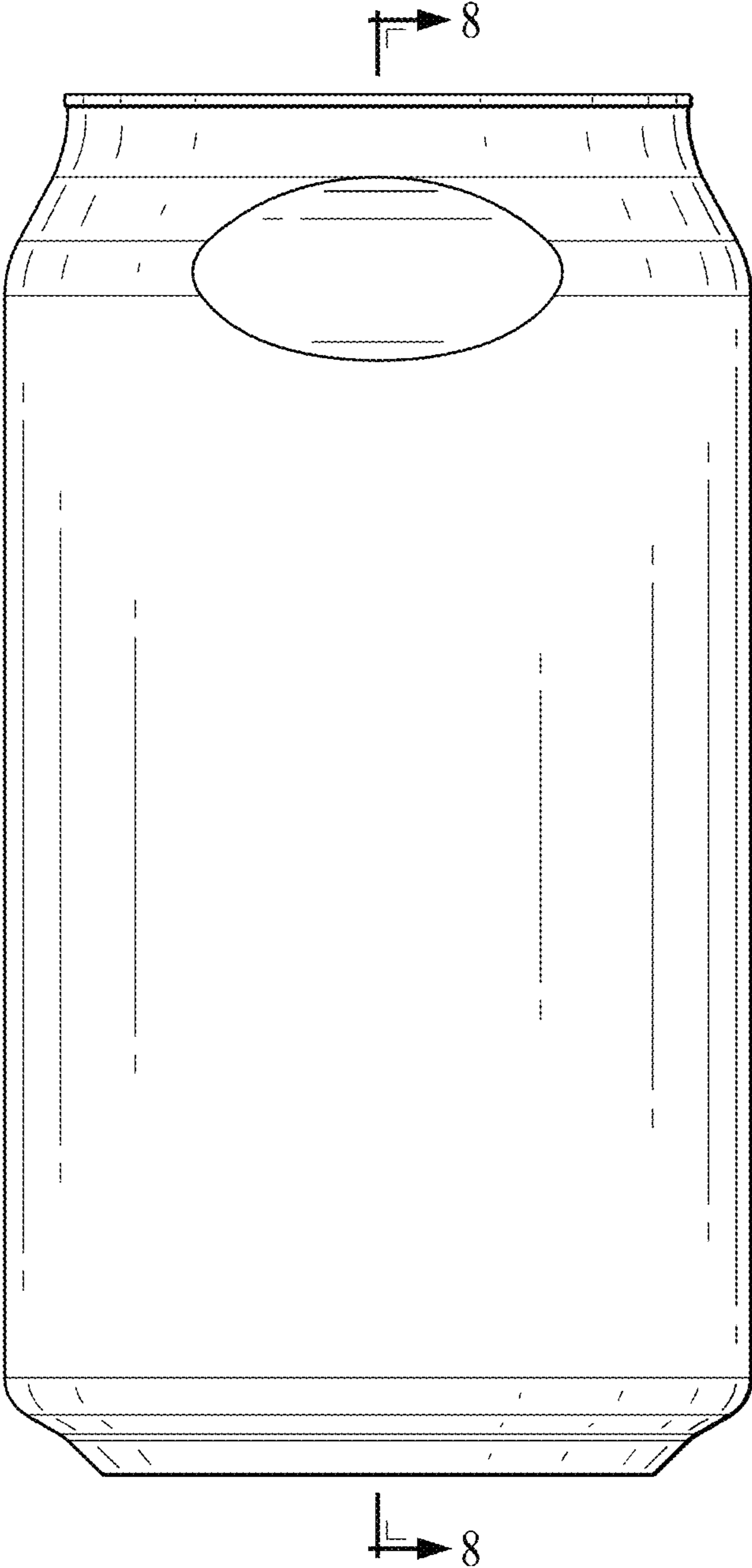


FIG. 2

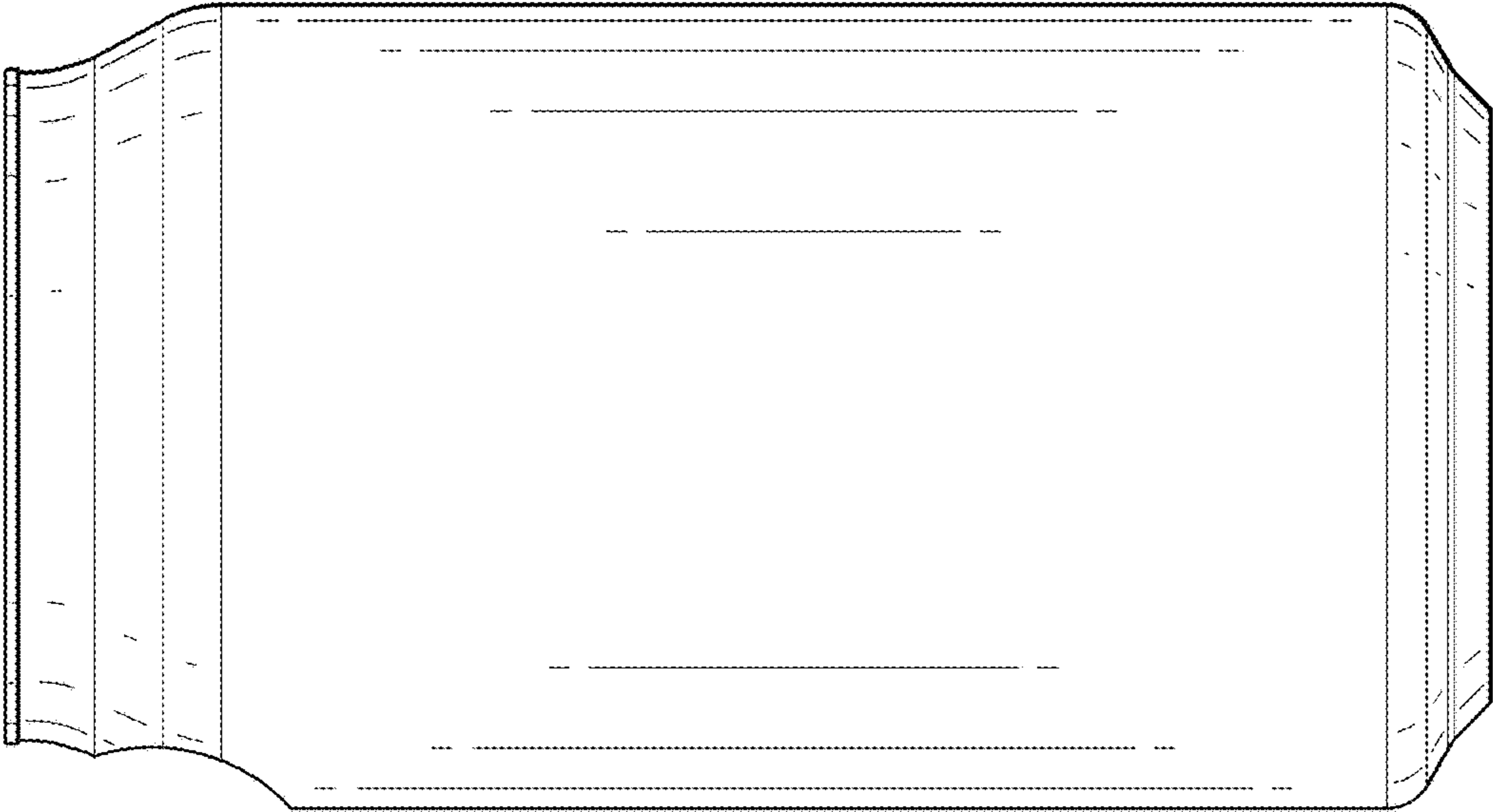


FIG. 4

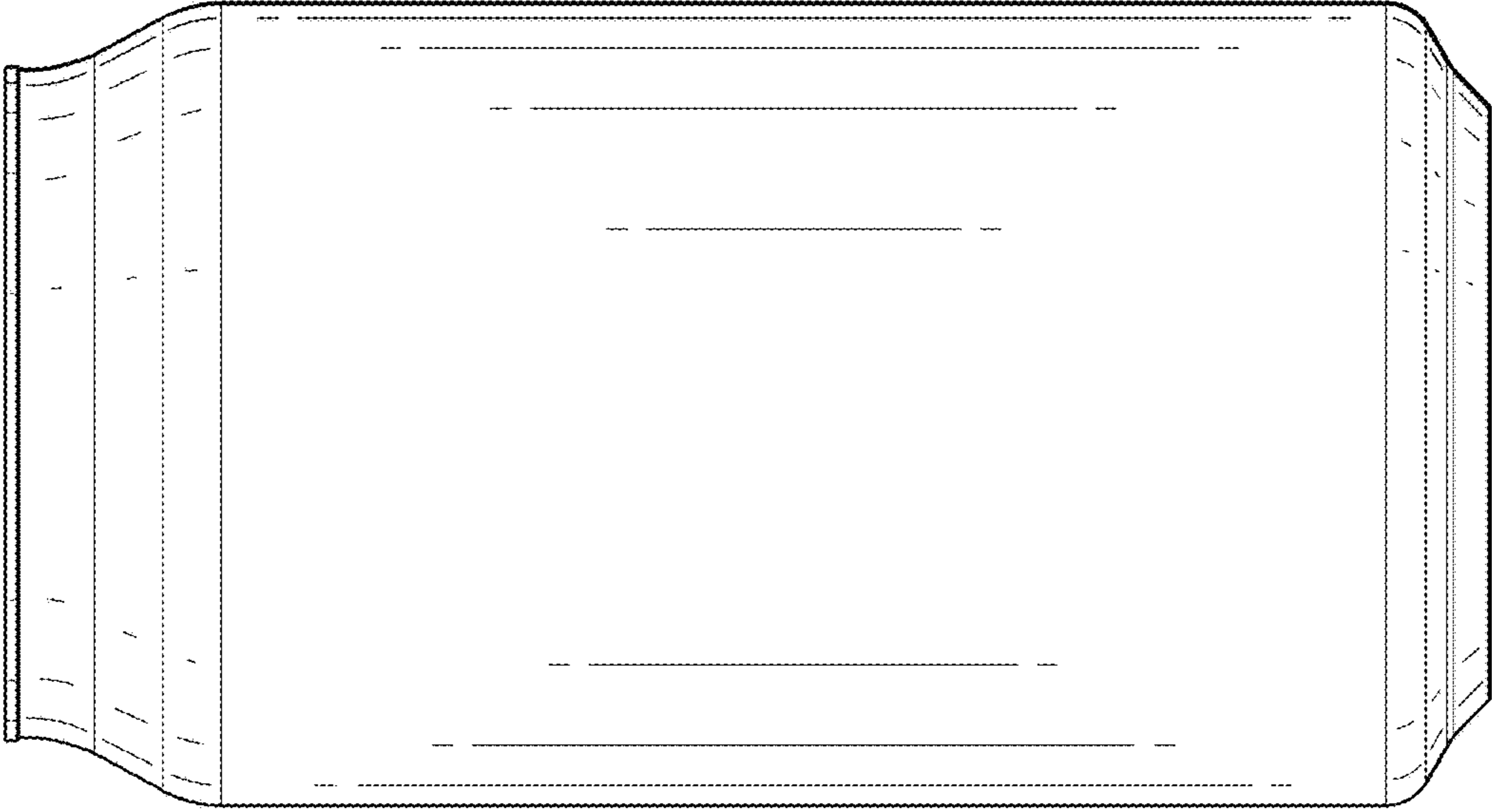


FIG. 3

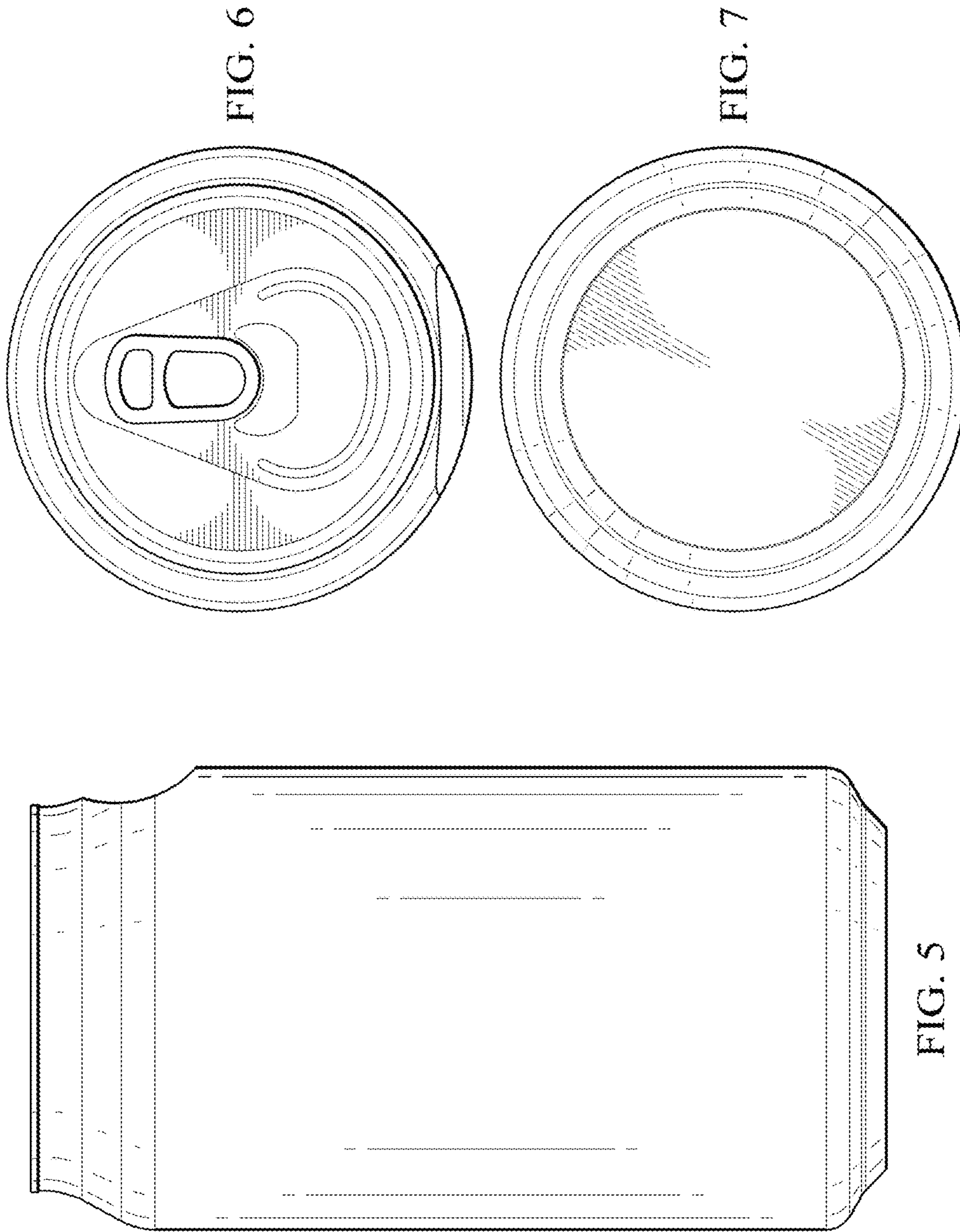


FIG. 6

FIG. 7

FIG. 5

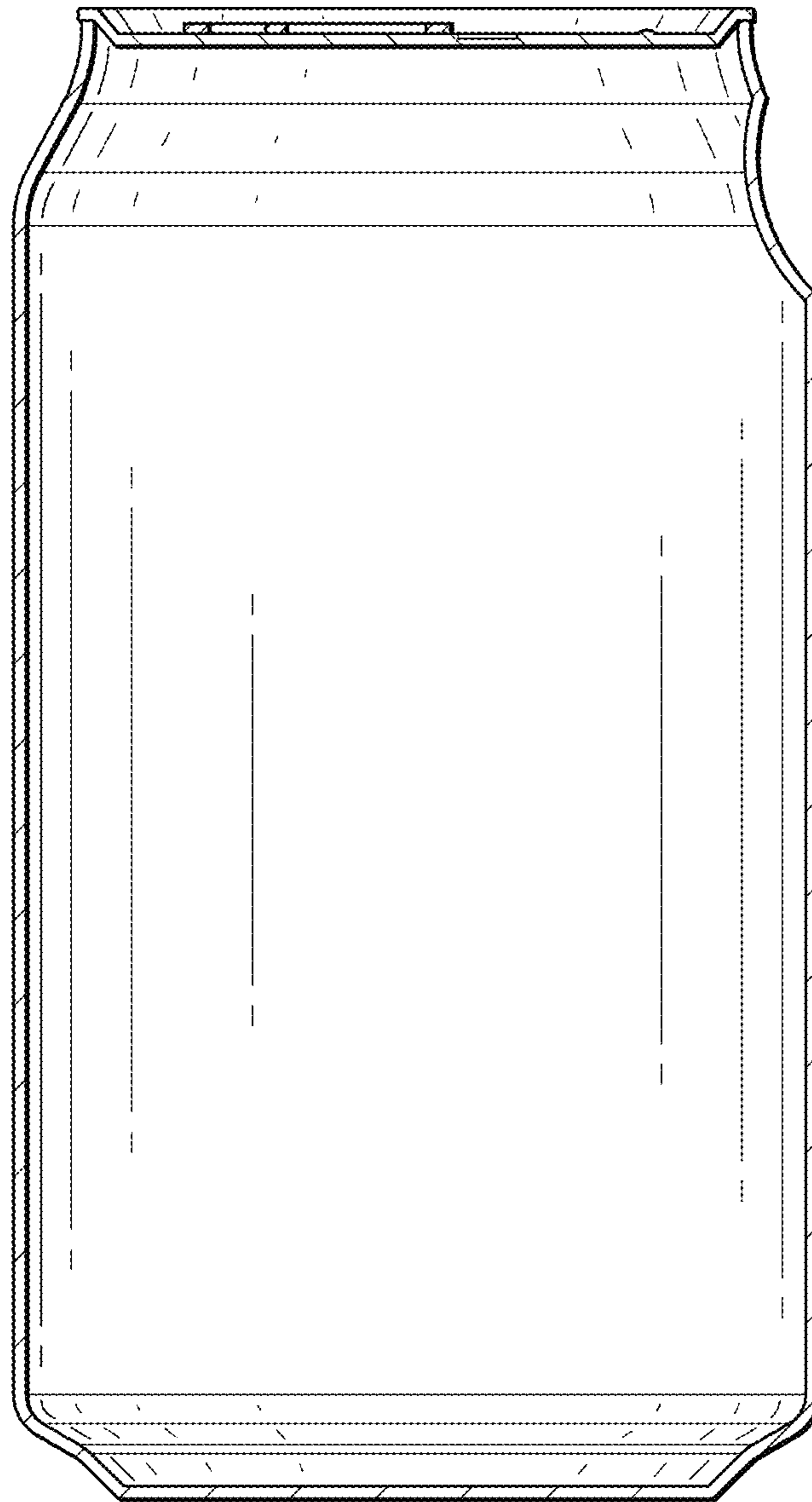


FIG. 8