



US00D819456S

(12) **United States Design Patent**
Gómez Martín

(10) **Patent No.:** **US D819,456 S**
(45) **Date of Patent:** **** Jun. 5, 2018**

(54) **CONTAINER**

(71) Applicant: **Mario Alberto Gómez Martín**,
Tepatitlán de Morelos (MX)

(72) Inventor: **Mario Alberto Gómez Martín**,
Tepatitlán de Morelos (MX)

(**) Term: **15 Years**

(21) Appl. No.: **29/561,047**

(22) Filed: **Apr. 12, 2016**

(51) **LOC (11) Cl.** **09-01**

(52) **U.S. Cl.**
USPC **D9/734; D9/503**

(58) **Field of Classification Search**
USPC D9/414, 424, 430, 431, 499, 730, 734;
D3/201, 304, 315; D6/515, 518, 519,
D6/521, 522, 523; 206/205, 210, 216,
206/233, 389, 395, 494, 581, 812;
221/33, 36, 45, 46, 47, 48, 52, 199, 255,
221/259, 305, 309; D7/601, 602, 631
CPC B65D 83/0805; B65D 83/0894; B65D
85/16; B65D 81/22; B65D 2571/0066;
B65D 75/5838; B65D 71/36; B65D
83/08; B65D 77/24; B65D 85/671; B65D
2571/0058; B65D 75/30; B65D 5/16;
B65D 83/0811; B65D 83/00; B65D
2575/586; B65D 77/02; B65D
2543/00296; B65D 85/00; B65D 83/0835;
B65D 75/20; B65D 2543/00092; B65D
5/72; B65D 77/06; B65D 3/04; B65D
43/02; B65D 2519/00034; B65D
2519/00069; A47K 2010/3266; A47K
10/421; A47K 10/3818; A47K 10/16;
A47K 10/185; A47K 10/32

See application file for complete search history.

6,394,324 B1 * 5/2002 Chen A47K 10/3818
221/303

7,163,124 B2 * 1/2007 Bushman A47K 10/3818
221/135

D565,968 S * 4/2008 Mantenuto D9/734

D568,764 S * 5/2008 Rankin D9/734

7,559,434 B2 * 7/2009 Masting A47K 10/3809
206/233

7,628,292 B2 * 12/2009 Lancesseur B65D 1/26
221/267

D630,108 S * 1/2011 Wilson D9/734

D674,708 S * 1/2013 Dietvorst D9/734

D685,653 S * 7/2013 Mowers D9/734

D696,966 S * 1/2014 Finlay D9/734

8,657,153 B2 * 2/2014 Hatter A47K 10/32
221/45

(Continued)

Primary Examiner — Lauren R Calve
(74) *Attorney, Agent, or Firm* — Barceló, Harrison &
Walker, LLP

(57) **CLAIM**

The ornamental design for a container, as shown and described.

DESCRIPTION

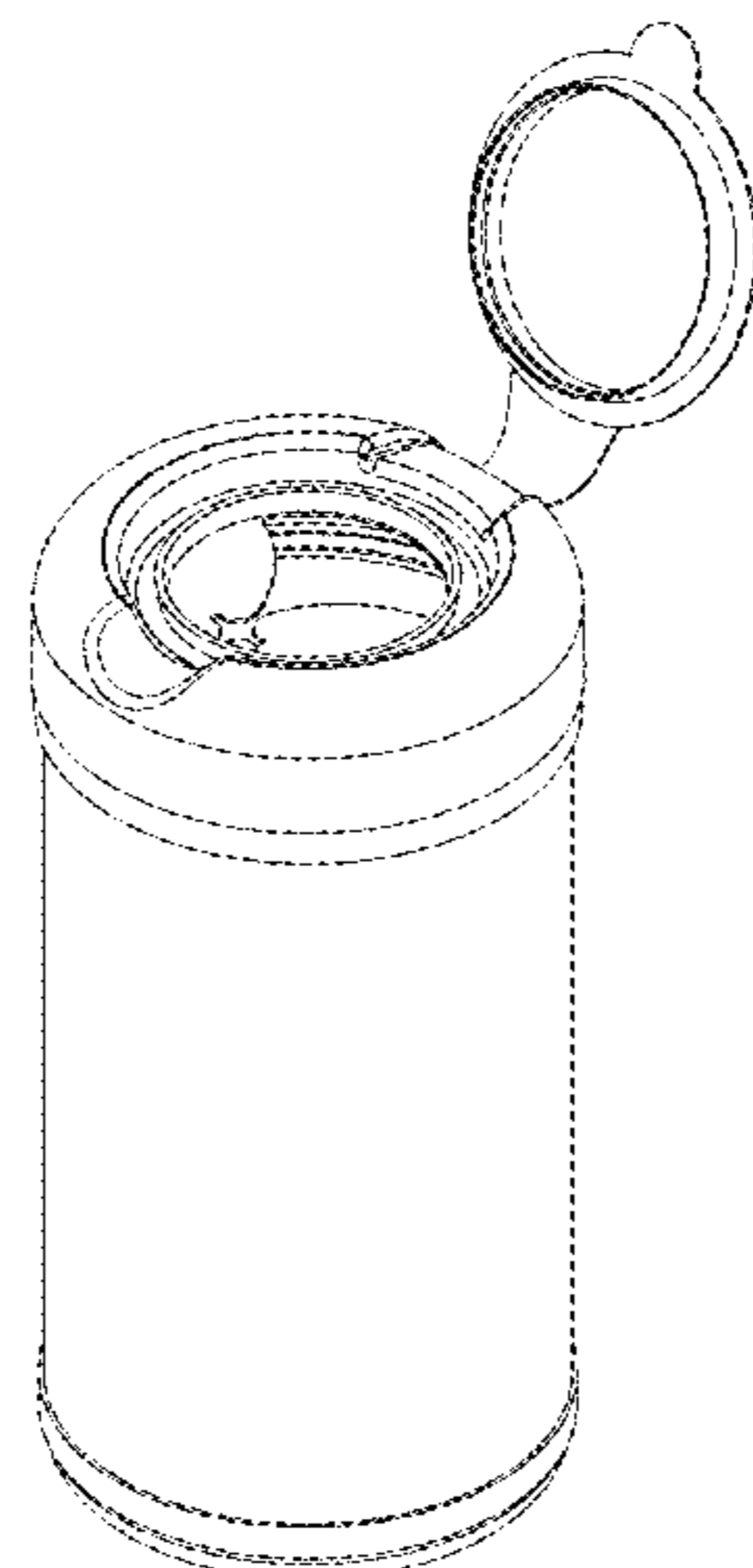
FIG. 1 is a perspective view of a container according to the present invention.
FIG. 2 is a left side view thereof.
FIG. 3 is a top plan view thereof.
FIG. 4 is a bottom plan view thereof.
FIG. 5 is a front view thereof.
FIG. 6 is a rear view thereof.
FIG. 7 is an exploded perspective view thereof.
FIG. 8 is a perspective view thereof shown in a closed configuration; and,
FIG. 9 is an exploded perspective view thereof.

1 Claim, 9 Drawing Sheets

(56) **References Cited**

U.S. PATENT DOCUMENTS

D372,615 S * 8/1996 Owens D6/522
6,364,101 B1 * 4/2002 Schultz A47K 10/3818
206/210



(56)

References Cited

U.S. PATENT DOCUMENTS

2005/0067313 A1* 3/2005 Banik B65D 83/0805
206/494
2008/0099596 A1* 5/2008 DeMaso A47K 10/3818
242/588.3
2009/0255950 A1* 10/2009 Simkins A47K 10/3818
221/45
2010/0187250 A1* 7/2010 Kryshak B65D 83/0894
221/46
2010/0206896 A1* 8/2010 Ray A47K 10/3818
221/45
2011/0011878 A1* 1/2011 Baer B65D 83/0805
221/45
2012/0145737 A1* 6/2012 Ray A47K 10/3818
221/45
2012/0145738 A1* 6/2012 Gordon B65D 83/0811
221/45
2015/0114868 A1* 4/2015 Mehdizadeh B65D 83/0805
206/494
2015/0164290 A1* 6/2015 Leung B65D 81/22
221/26
2016/0001961 A1* 1/2016 Trinko B65D 83/0805
221/48

* cited by examiner

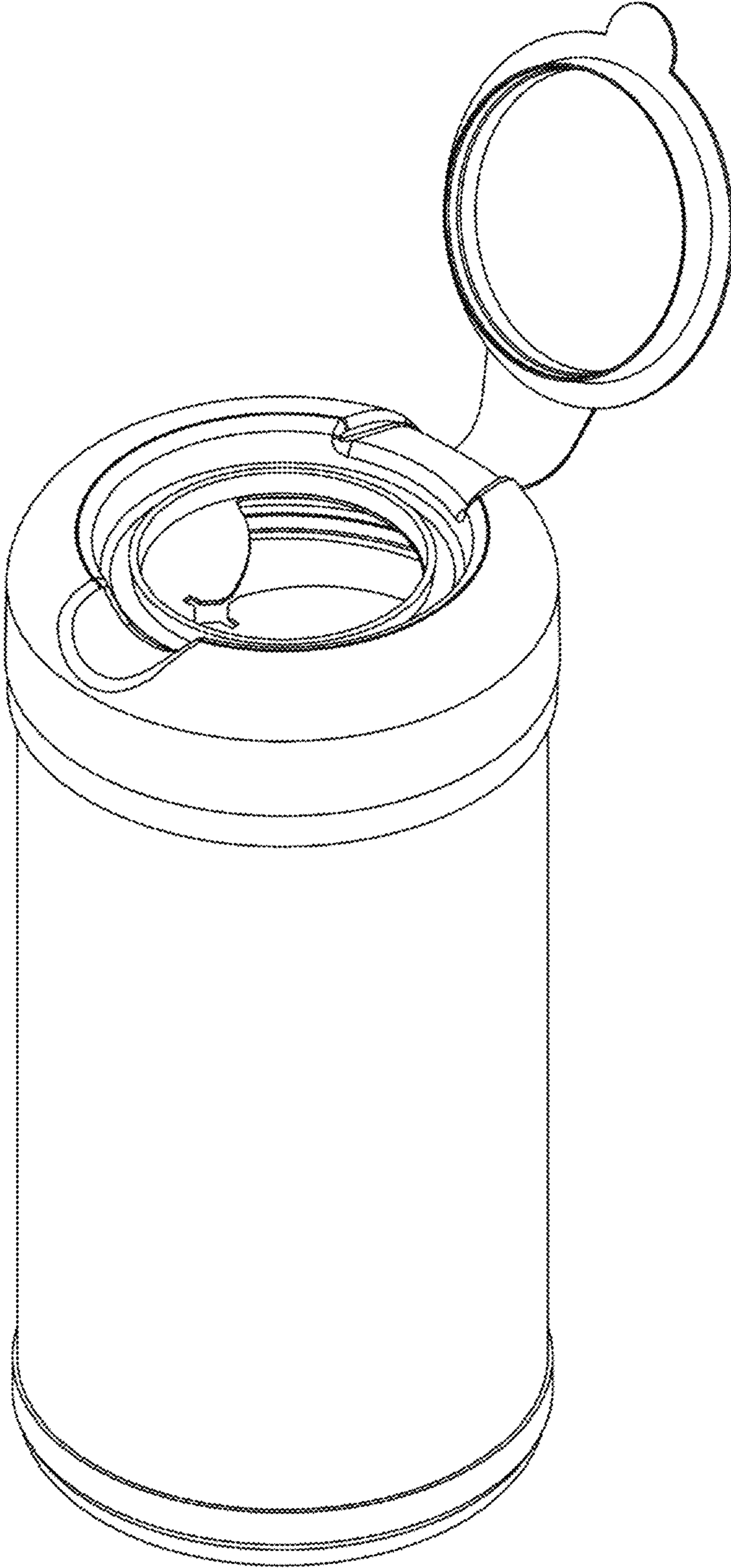


FIG. 1

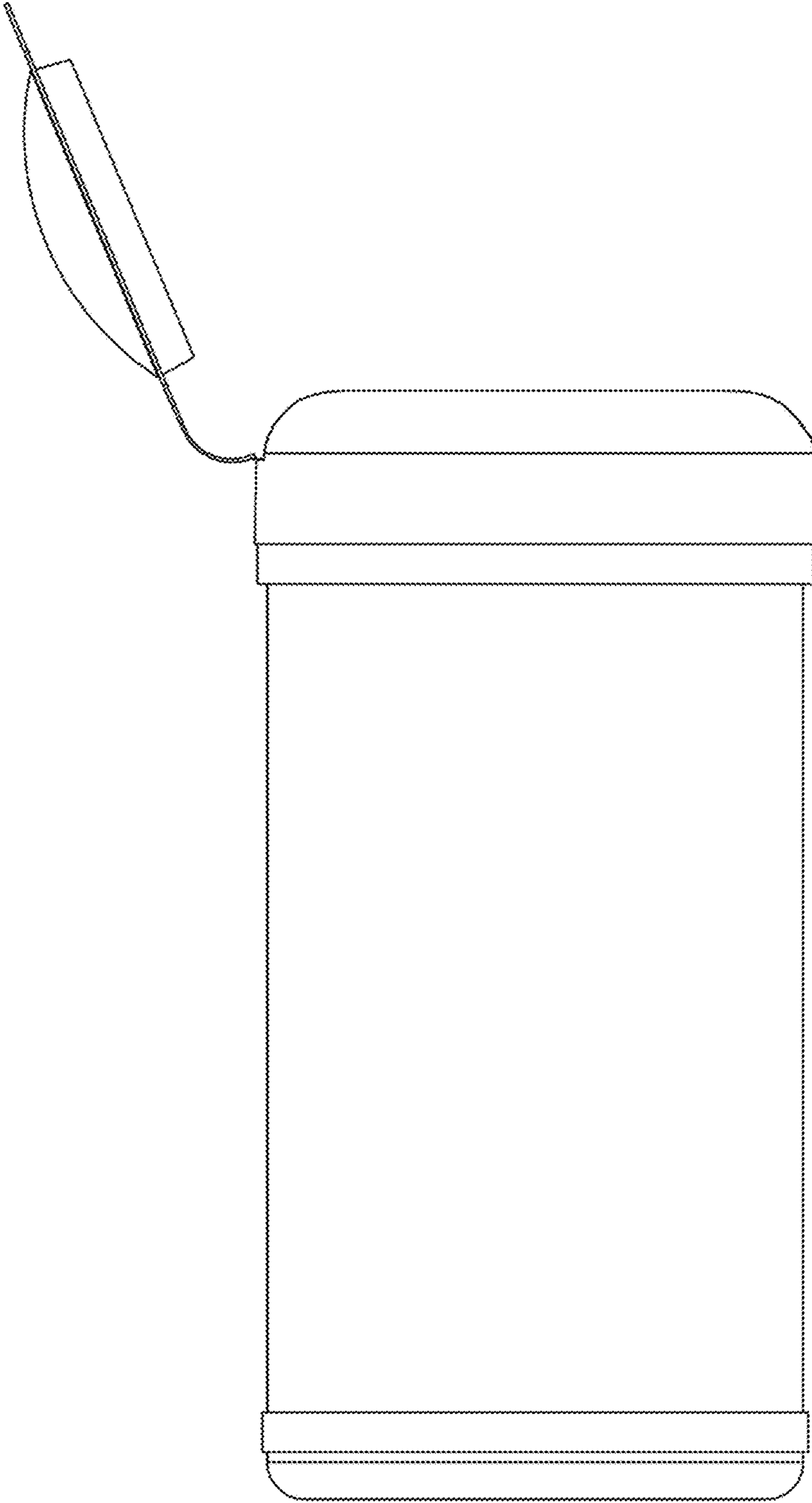


FIG. 2

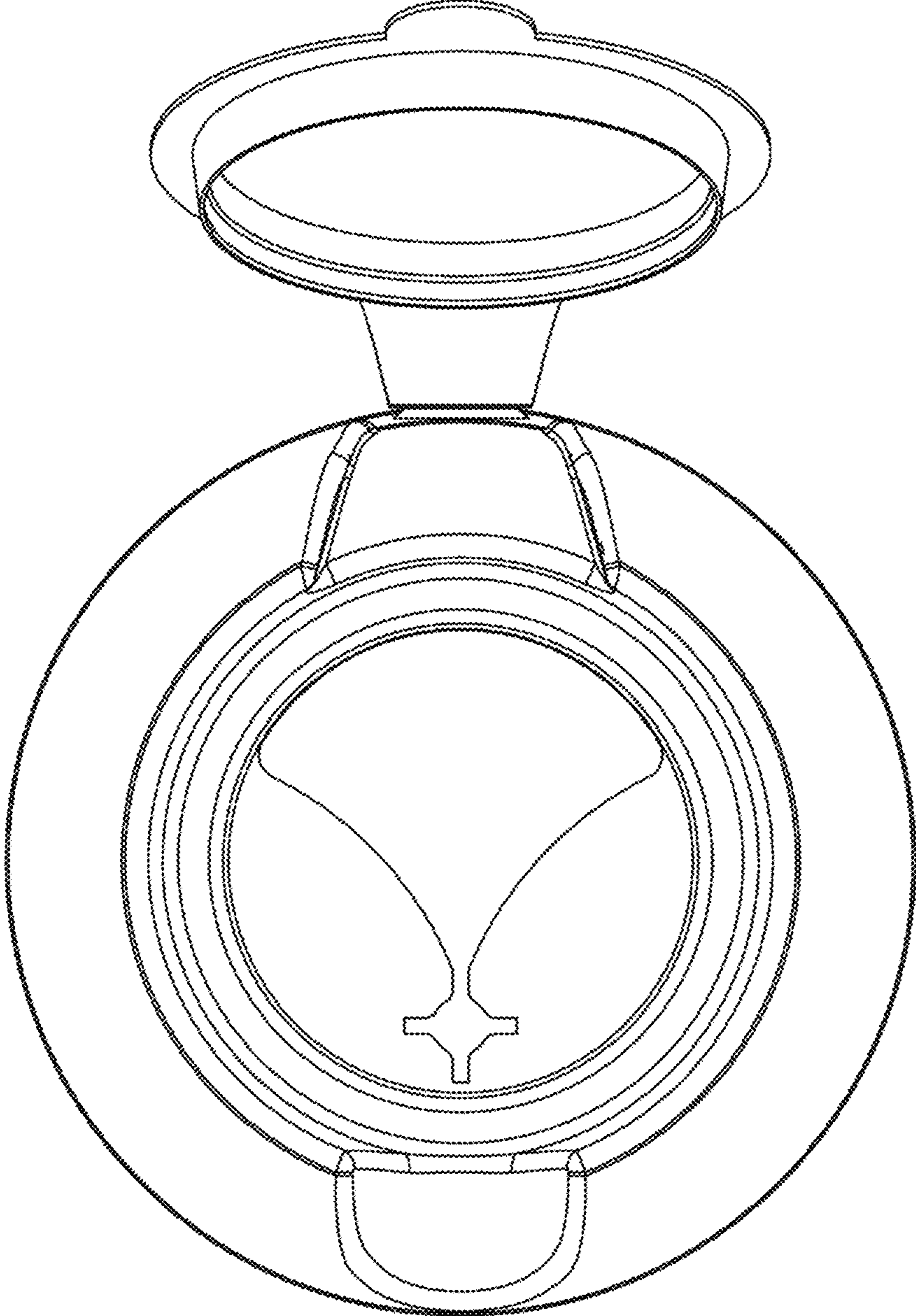


FIG. 3

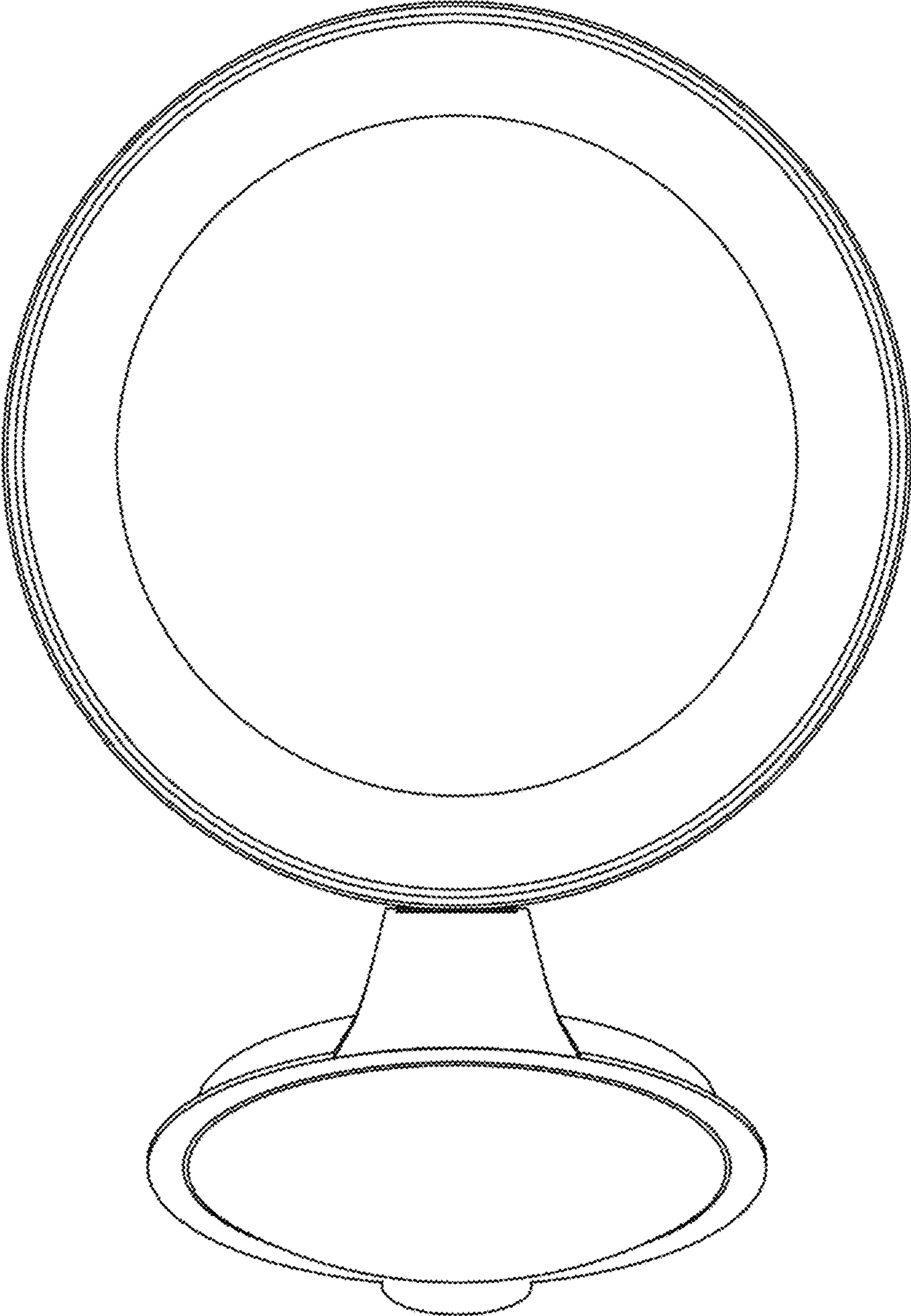


FIG. 4

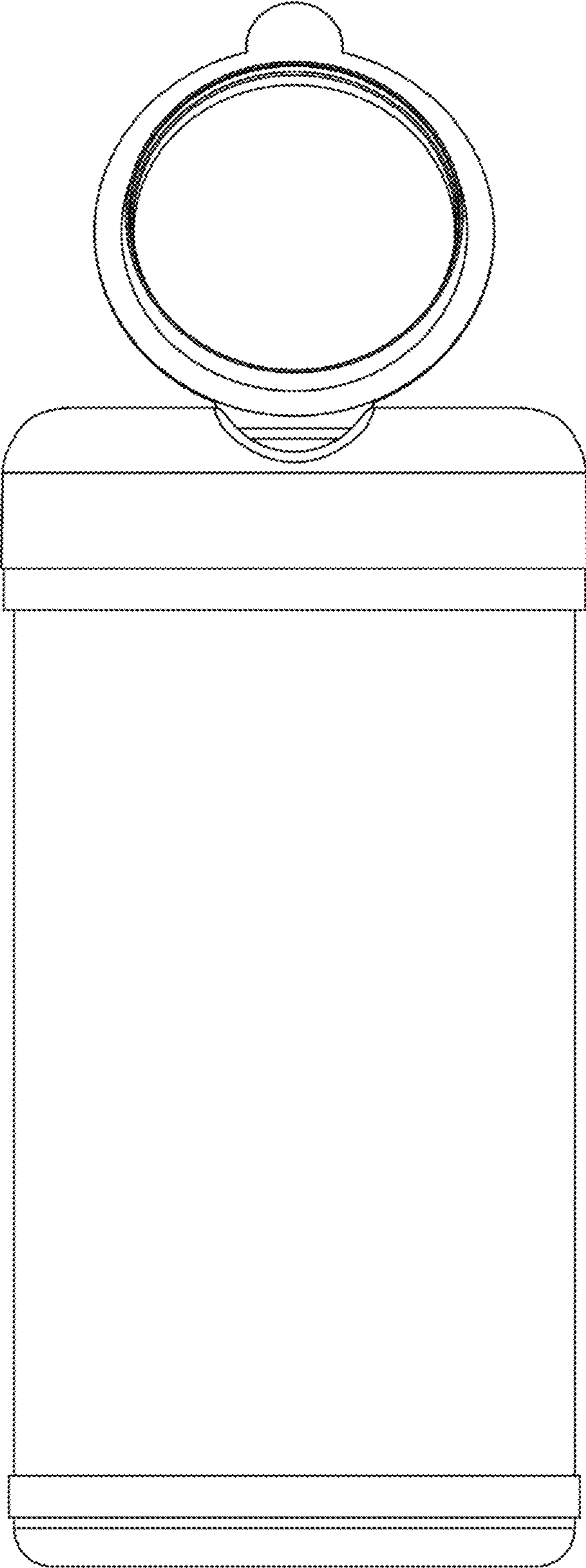


FIG. 5

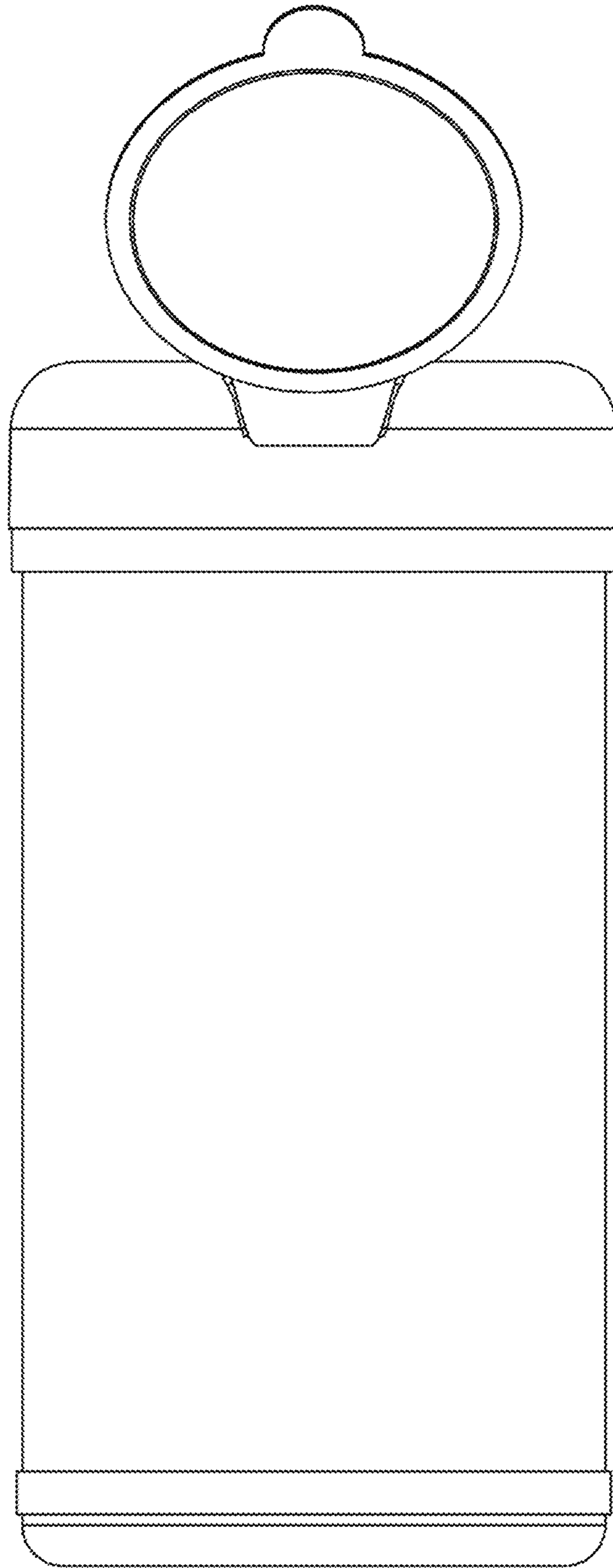


FIG. 6

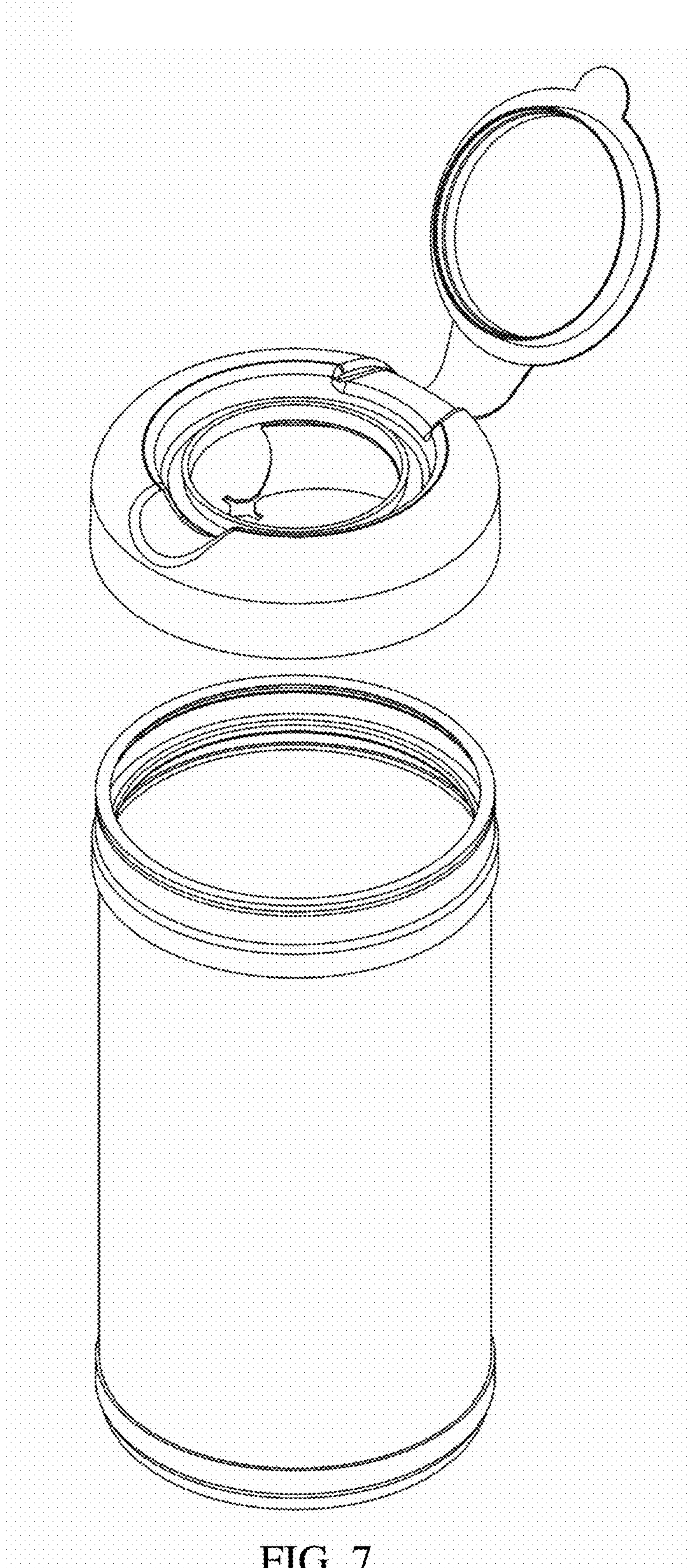


FIG. 7

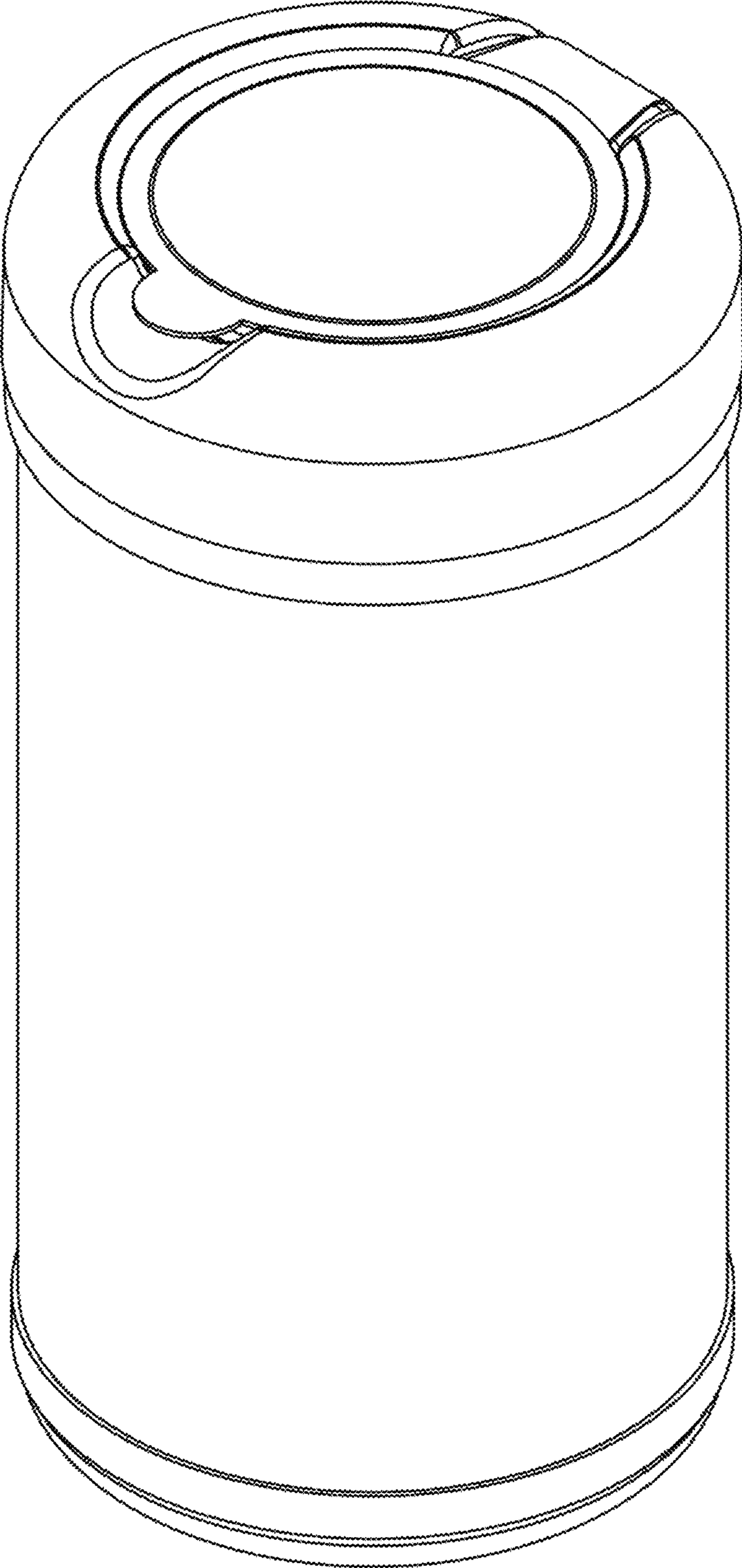


FIG. 8

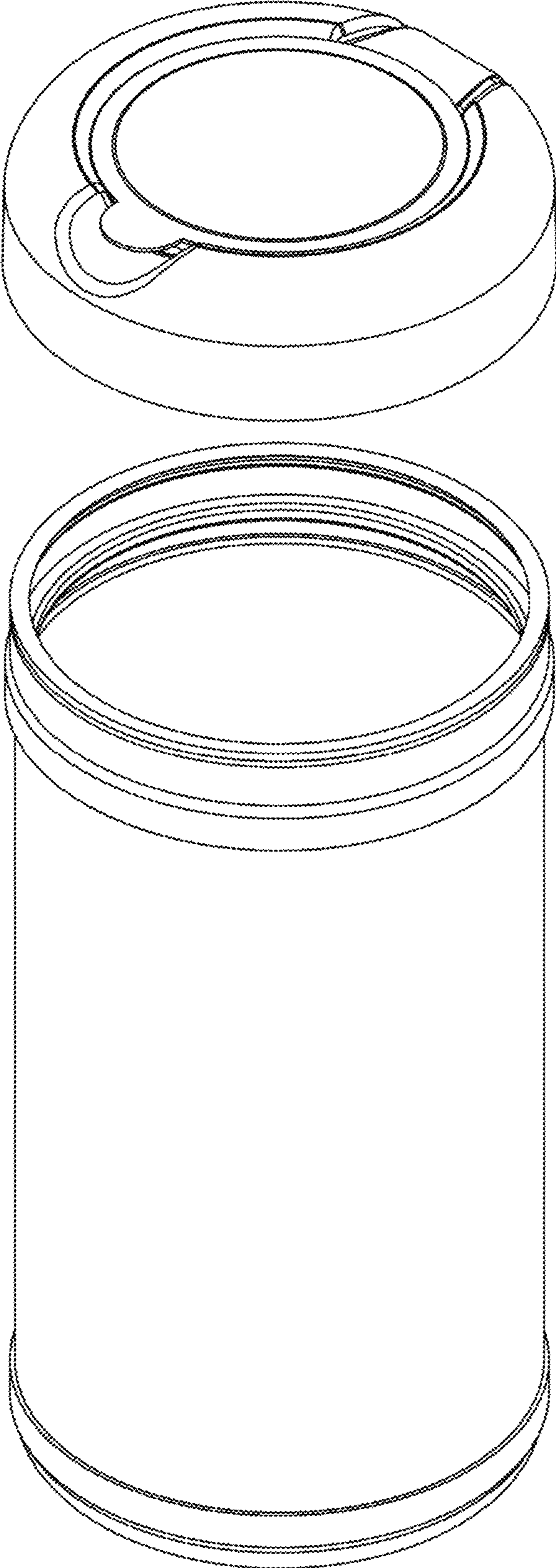


FIG. 9