



US00D819452S

(12) **United States Design Patent** (10) **Patent No.:** **US D819,452 S**
Chang (45) **Date of Patent:** **** Jun. 5, 2018**

(54) **POUCH FOR PACKAGING MASK PACK**

(56) **References Cited**

(71) Applicant: **GWO CHYANG BIOTECH CO., LTD.**, Tainan (TW)

U.S. PATENT DOCUMENTS

(72) Inventor: **Chia-Fu Chang**, Tainan (TW)

D578,014 S	*	10/2008	Friedland	D9/707
D646,182 S	*	10/2011	Clark	D9/710
D724,441 S	*	3/2015	Fukuda	D9/707
D741,725 S	*	10/2015	Gerhards	D9/707
D742,248 S	*	11/2015	Burton	D9/710
D768,007 S	*	10/2016	Kim	D9/710
D770,909 S	*	11/2016	Kim	D9/625
D791,584 S	*	7/2017	Secchi	D9/415
D791,614 S	*	7/2017	Sahatjian	D9/707
D799,336 S	*	10/2017	Sahatjian	D9/696

(73) Assignee: **Gwo Chyang Biotech Co., Ltd.**, Tainan (TW)

(**) Term: **15 Years**

* cited by examiner

(21) Appl. No.: **29/591,224**

(22) Filed: **Jan. 18, 2017**

Primary Examiner — Abraham Bahta

(51) **LOC (11) Cl.** **09-05**

(74) *Attorney, Agent, or Firm* — Rosenberg, Klein & Lee

(52) **U.S. Cl.**
USPC **D9/707**

(58) **Field of Classification Search**
USPC D9/702-714, 720-722, 414, 434-435, D9/696, 716, 771, 447, 516-517, D9/738-747, 544, 520-521; D24/118, D24/207, 108; 383/6, 9, 22, 96, 61.1, 383/80-81, 104, 901, 63, 203, 107, 383/119-120, 123, 61.2, 44; 220/675, 220/495.03; 215/381-385, 400, 328, 316; 206/484; D3/202; 428/34.3; 222/92, 222/215, 95, 107; 604/408, 403, 415
CPC ... B65D 1/00; B65D 1/02; B65D 1/09; B65D 1/10; B65D 1/32; B65D 1/0223; B65D 81/00; B65D 81/36; B65D 81/34; B65D 33/00; B65D 33/04; B65D 33/24; B65D 75/00; B65D 75/30

See application file for complete search history.

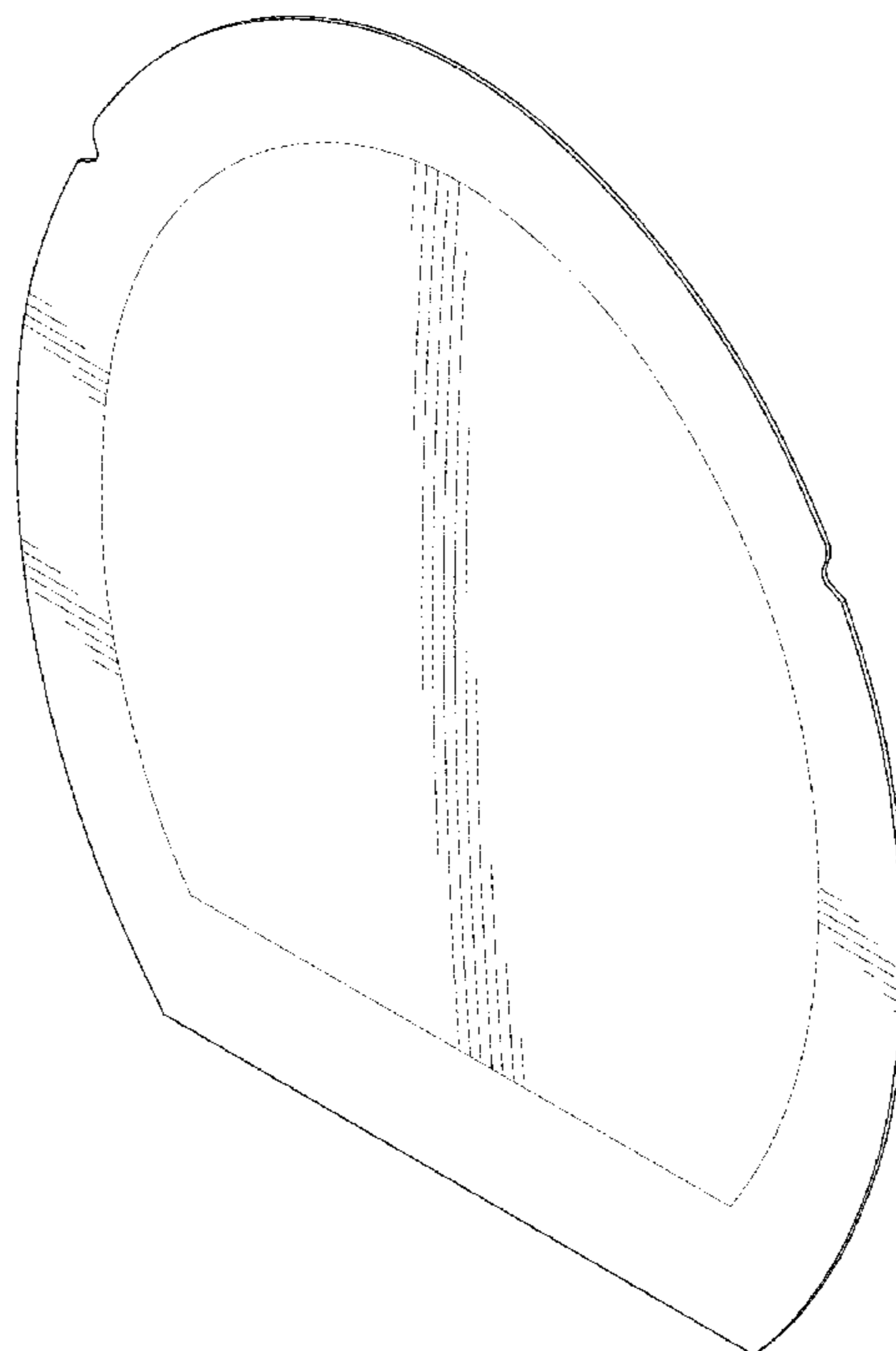
(57) **CLAIM**

The ornamental design for a pouch for packaging mask pack, as shown and described.

DESCRIPTION

FIG. 1 is a perspective view of a pouch for packaging mask pack showing my new design;
FIG. 2 is a front elevational view thereof;
FIG. 3 is a rear elevational view thereof;
FIG. 4 is a left side elevational view thereof;
FIG. 5 is a right side elevational view thereof;
FIG. 6 is a top plan view thereof; and,
FIG. 7 is a bottom plan view thereof.

1 Claim, 7 Drawing Sheets



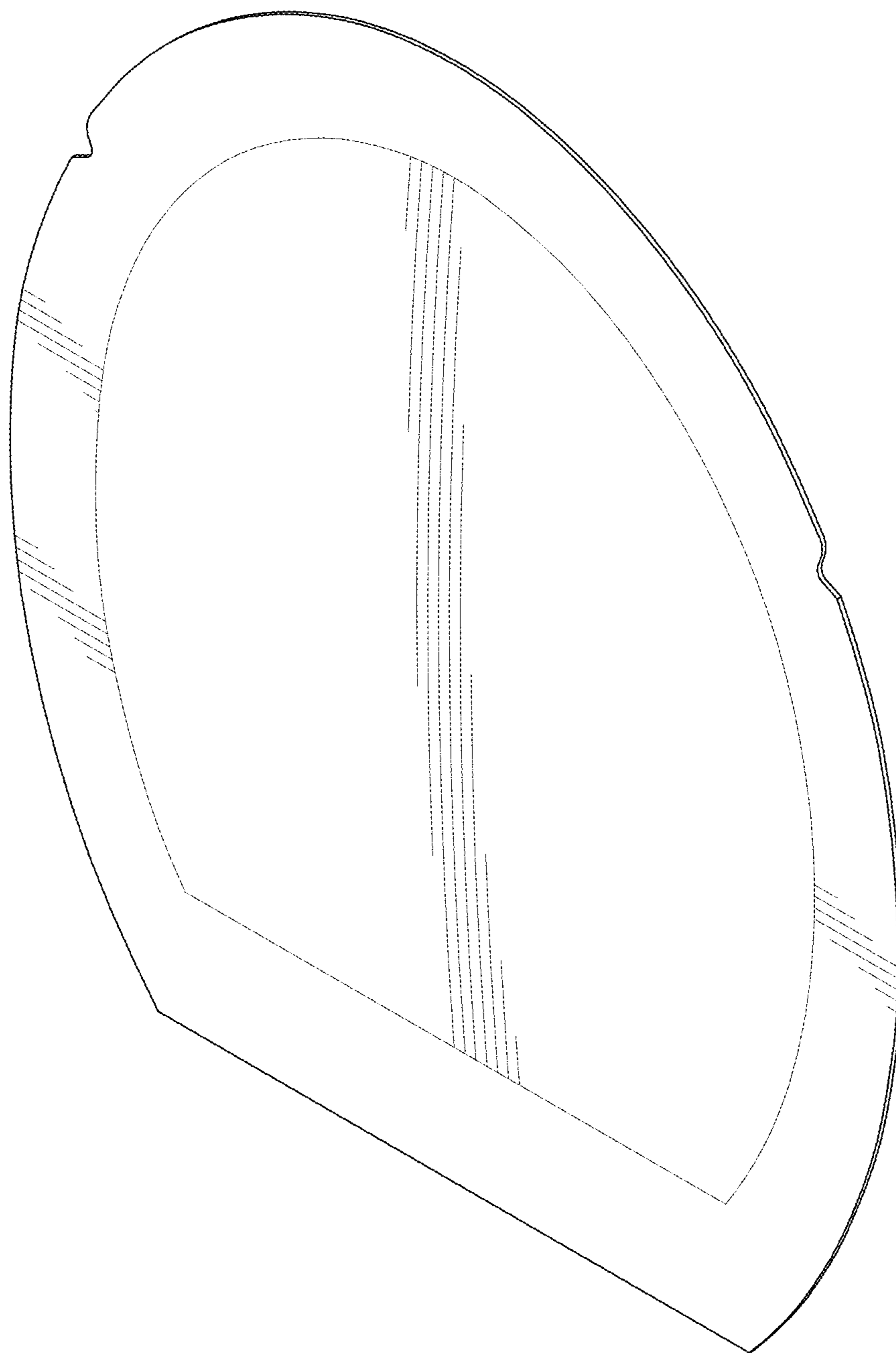


FIG. 1

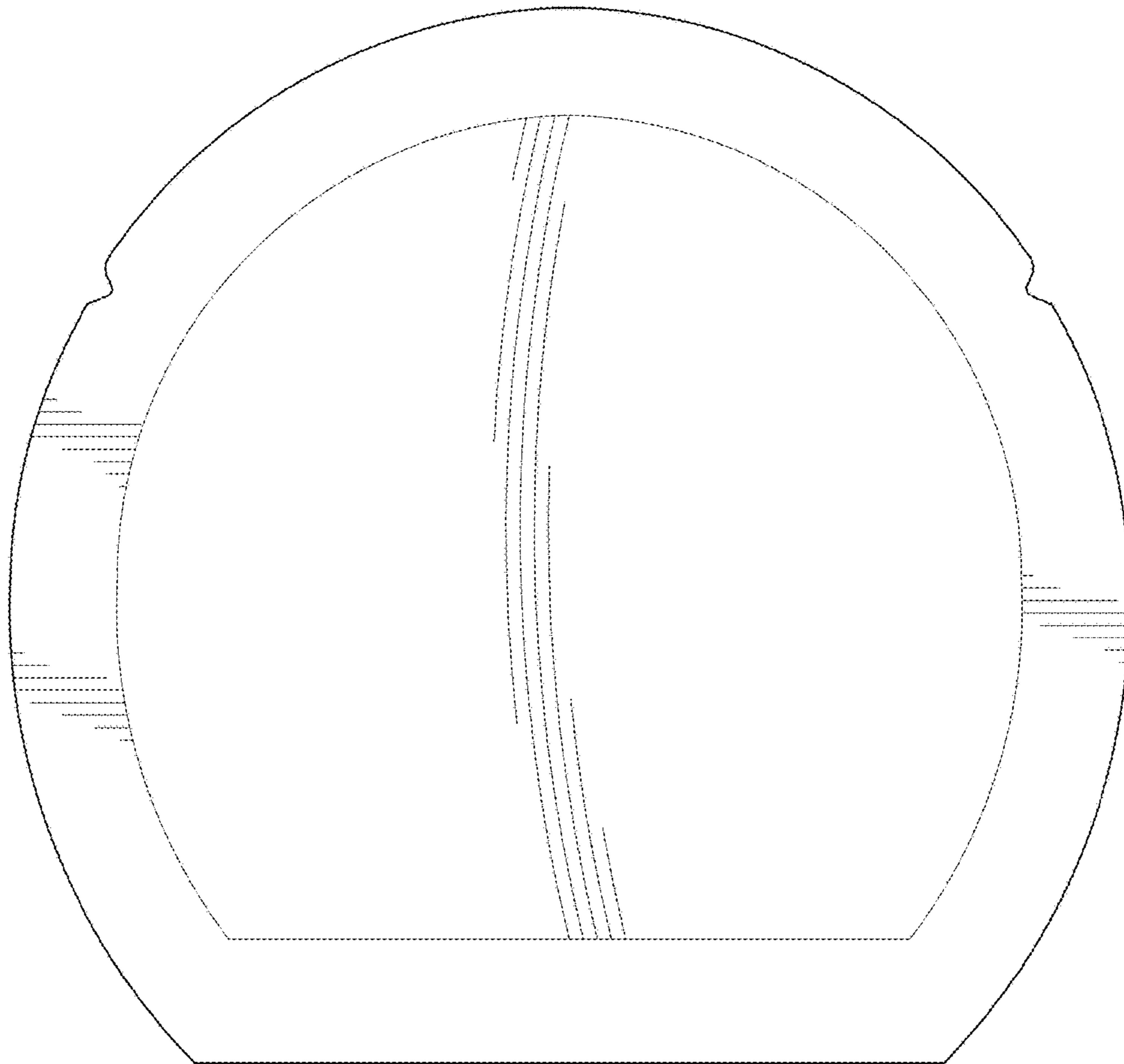


FIG. 2

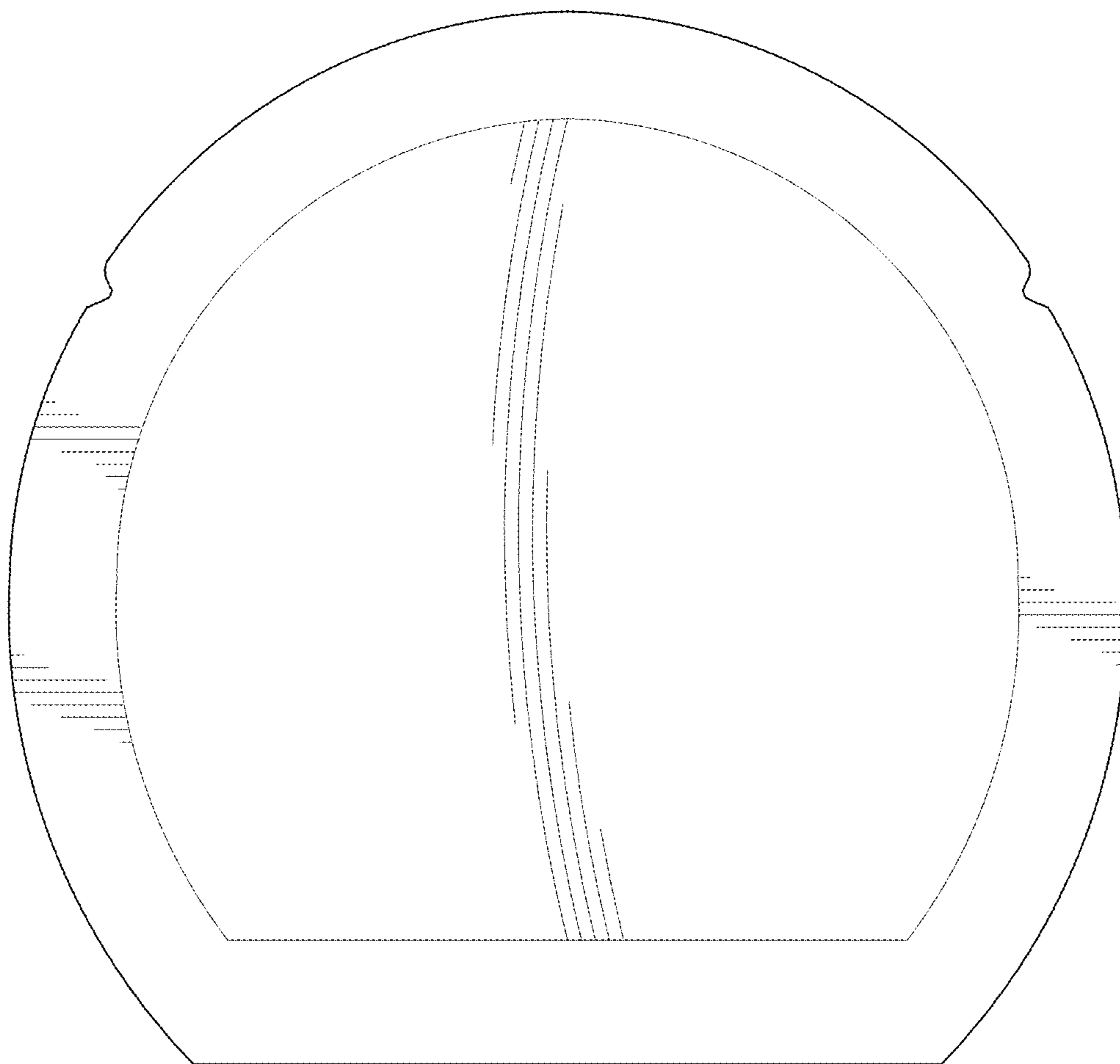


FIG. 3

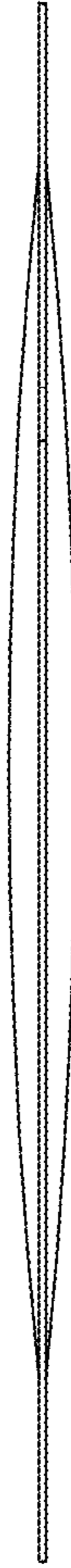


FIG. 4

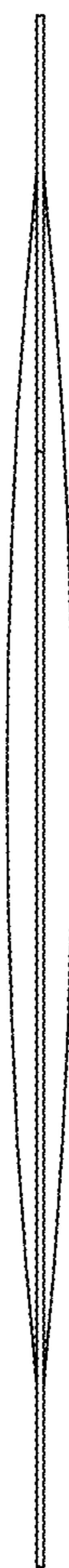


FIG. 5

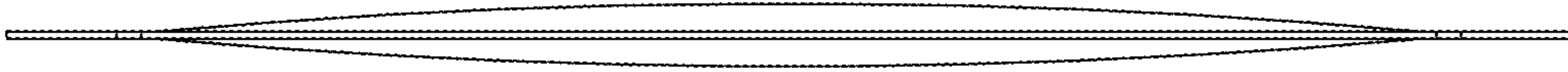


FIG. 6

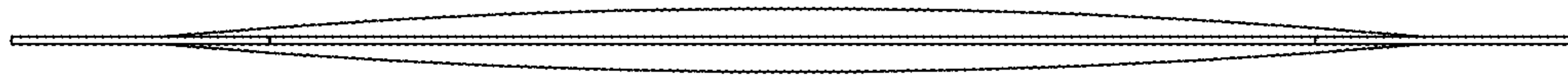


FIG. 7