



US00D819451S

(12) **United States Design Patent**
Bang

(10) **Patent No.:** **US D819,451 S**

(45) **Date of Patent:** **** Jun. 5, 2018**

- (54) **TIRE GLOSS CONTAINER**
- (71) Applicant: **Minki Bang**, Daly City, CA (US)
- (72) Inventor: **Minki Bang**, Daly City, CA (US)
- (**) Term: **15 Years**
- (21) Appl. No.: **29/605,498**
- (22) Filed: **May 26, 2017**
- (51) **LOC (11) Cl.** **09-01**
- (52) **U.S. Cl.**
USPC **D9/672; D9/675**
- (58) **Field of Classification Search**
USPC D3/270, 271.1-271.4; D7/509-511,
D7/514-520, 523, 529, 598, 599, 604,
D7/613, 619.2, 623, 628; D9/600,
D9/672-678, 500-505, 516, 519,
D9/537-546, 549-558; 206/457, 459.5,
206/527; 215/381-384, 400
CPC B65D 5/4258; B65D 81/60; B65D 81/365;
B65D 81/366; B65D 81/368; B65D
2203/00; B65D 2203/02
See application file for complete search history.

D430,796 S *	9/2000	Miller	D9/672
D533,303 S *	12/2006	Angeletta	D9/672
D540,183 S *	4/2007	Sellars	D9/675
D546,703 S *	7/2007	Sellars	D9/675
D556,052 S *	11/2007	Hoffman	D9/675
D568,759 S *	5/2008	Jones	D9/672
D575,644 S *	8/2008	Billings	D9/672
D583,251 S *	12/2008	Morrison	D9/504
D678,780 S *	3/2013	Macleod Jones	D9/668

* cited by examiner

Primary Examiner — Sandra L Morris

(74) *Attorney, Agent, or Firm* — PatentFile, LLC; Bradley C. Fach

(56) **References Cited**

U.S. PATENT DOCUMENTS

D213,762 S *	4/1969	Wackman	D9/672
4,815,607 A *	3/1989	Agapiou	A63H 33/00 206/457

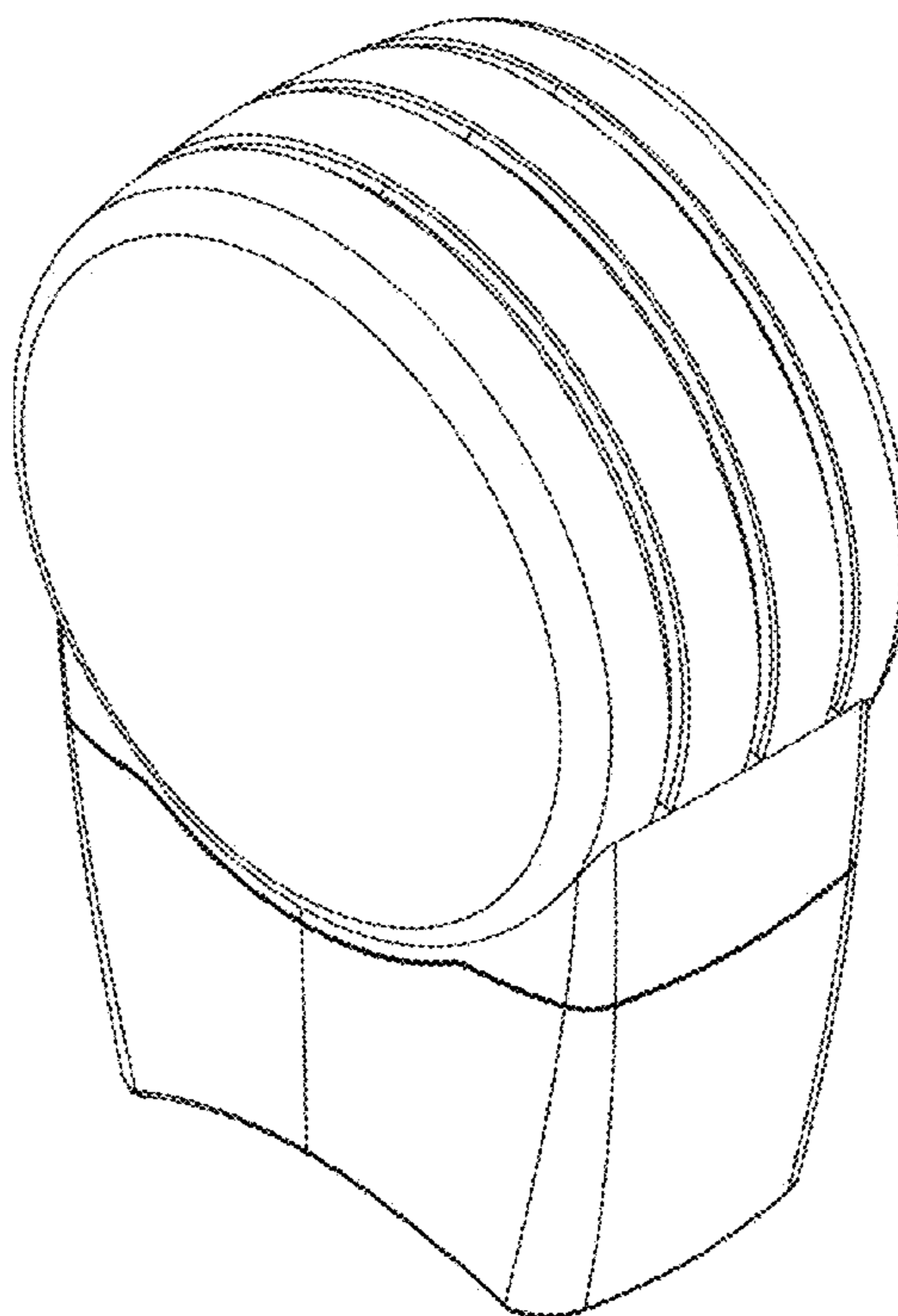
(57) **CLAIM**

The ornamental design for a tire gloss container, as shown and described.

DESCRIPTION

FIG. 1 is a perspective view showing the new, original, and ornamental design of a tire gloss container; FIG. 2 is a front elevation view thereof; FIG. 3 is a rear elevation view thereof; FIG. 4 is a left side elevation view thereof; FIG. 5 is a right side elevation view thereof; FIG. 6 is a bottom plan view thereof; and, FIG. 7 is a top plan view thereof.

1 Claim, 7 Drawing Sheets



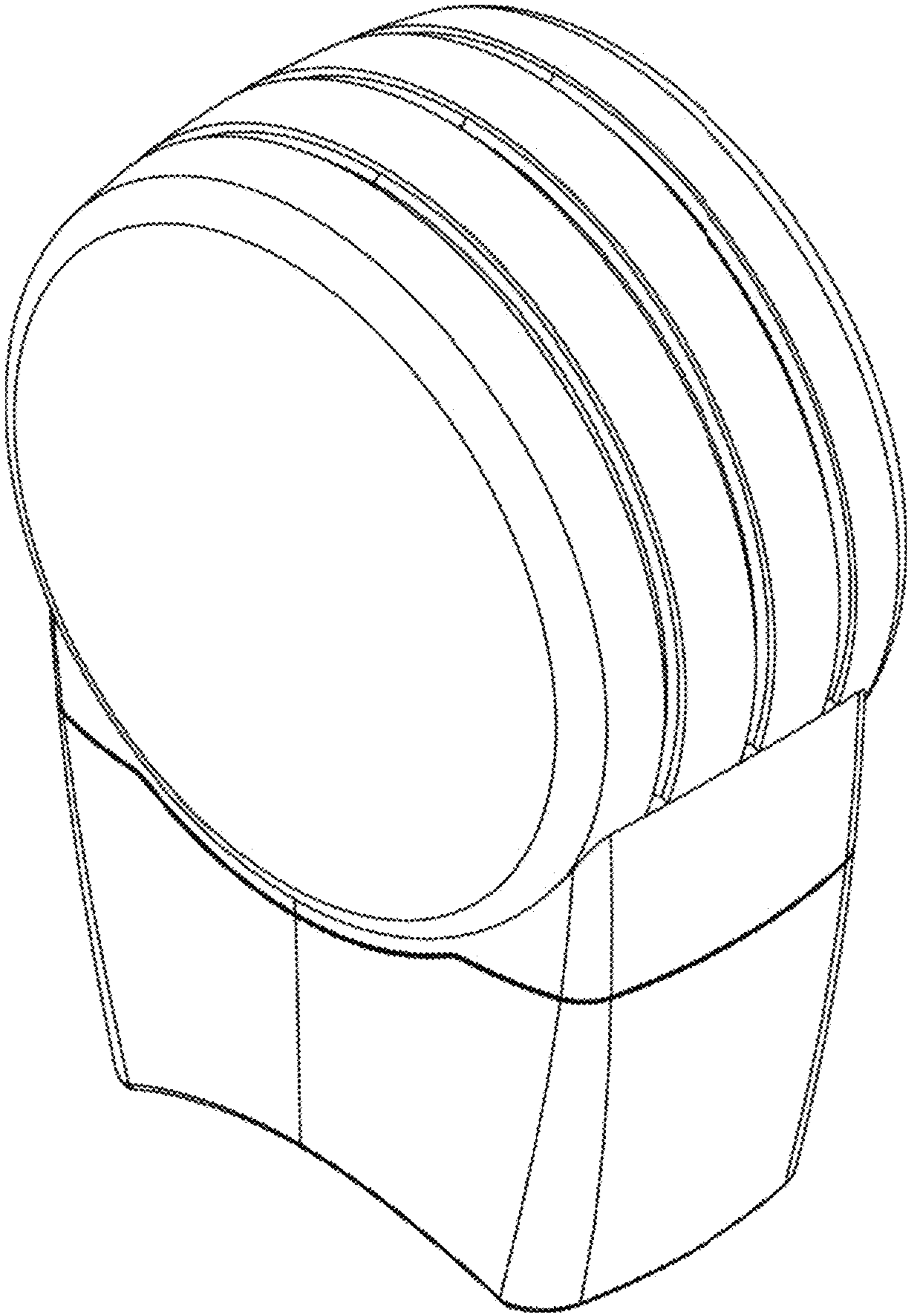


Figure 1

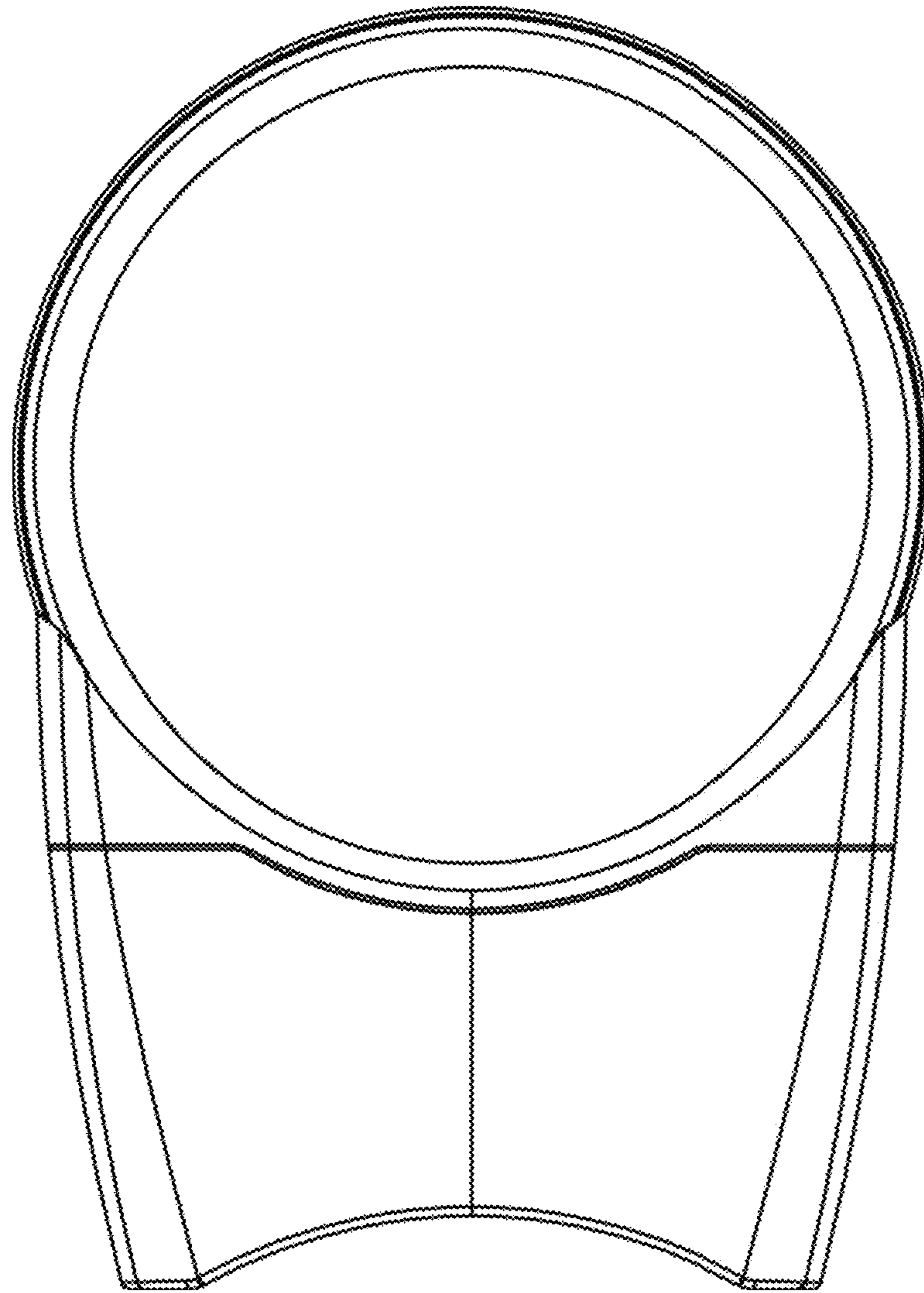


Figure 2

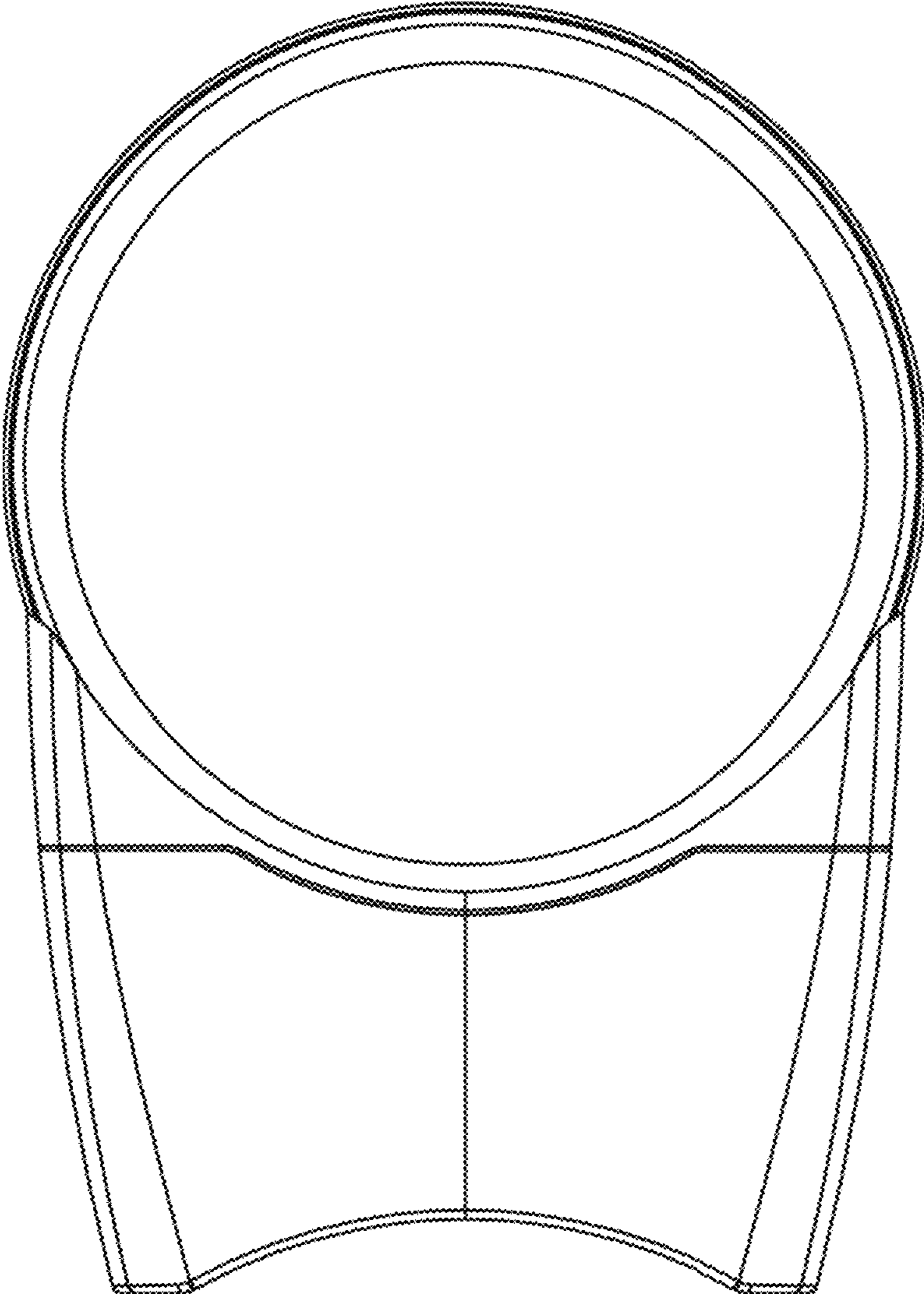


Figure 3

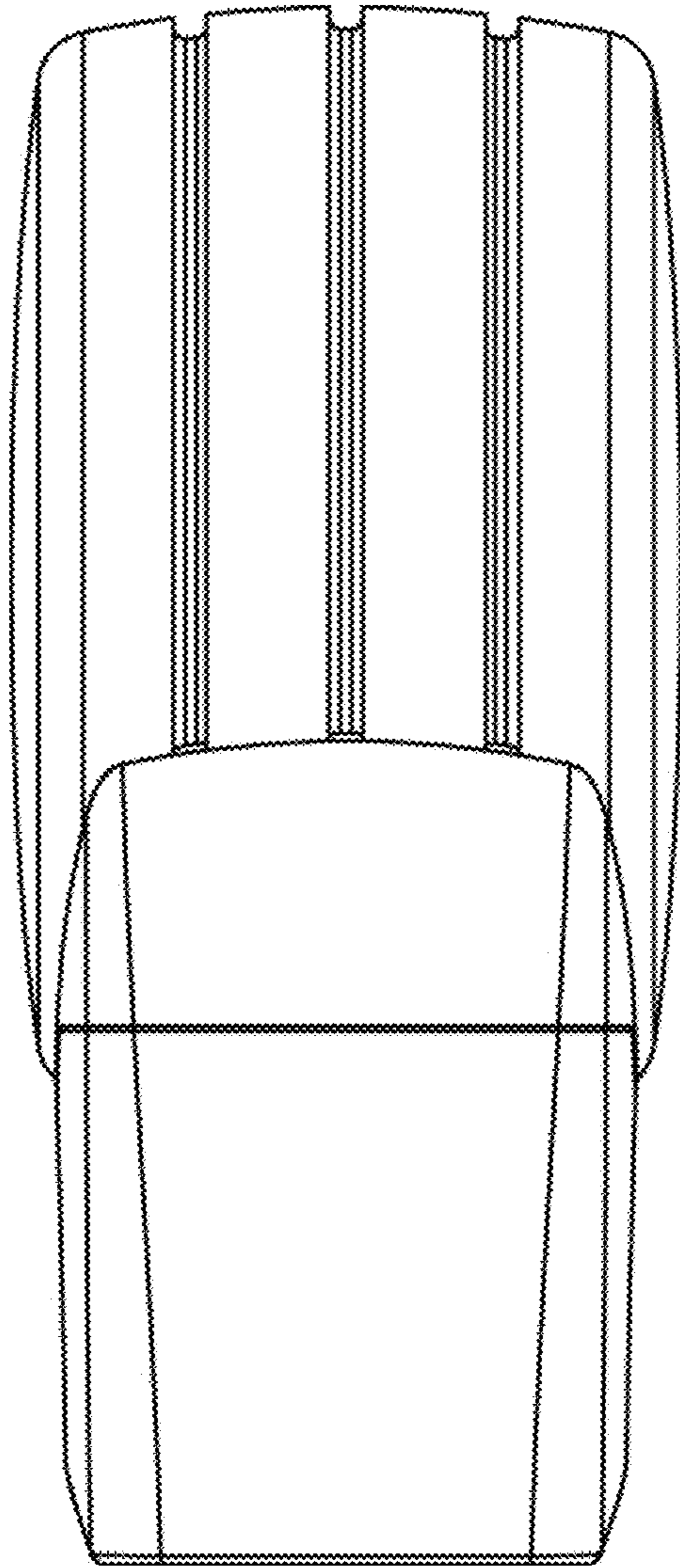


Figure 4

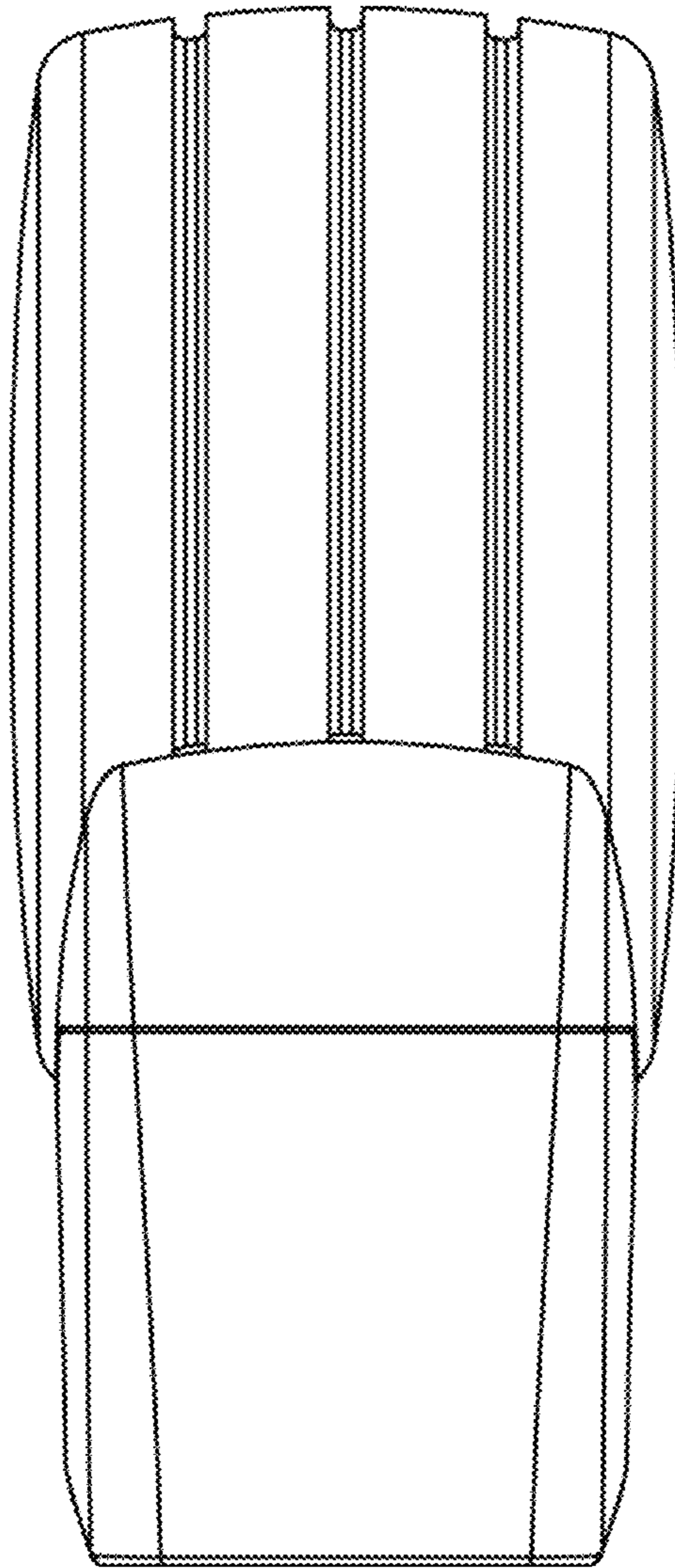


Figure 5

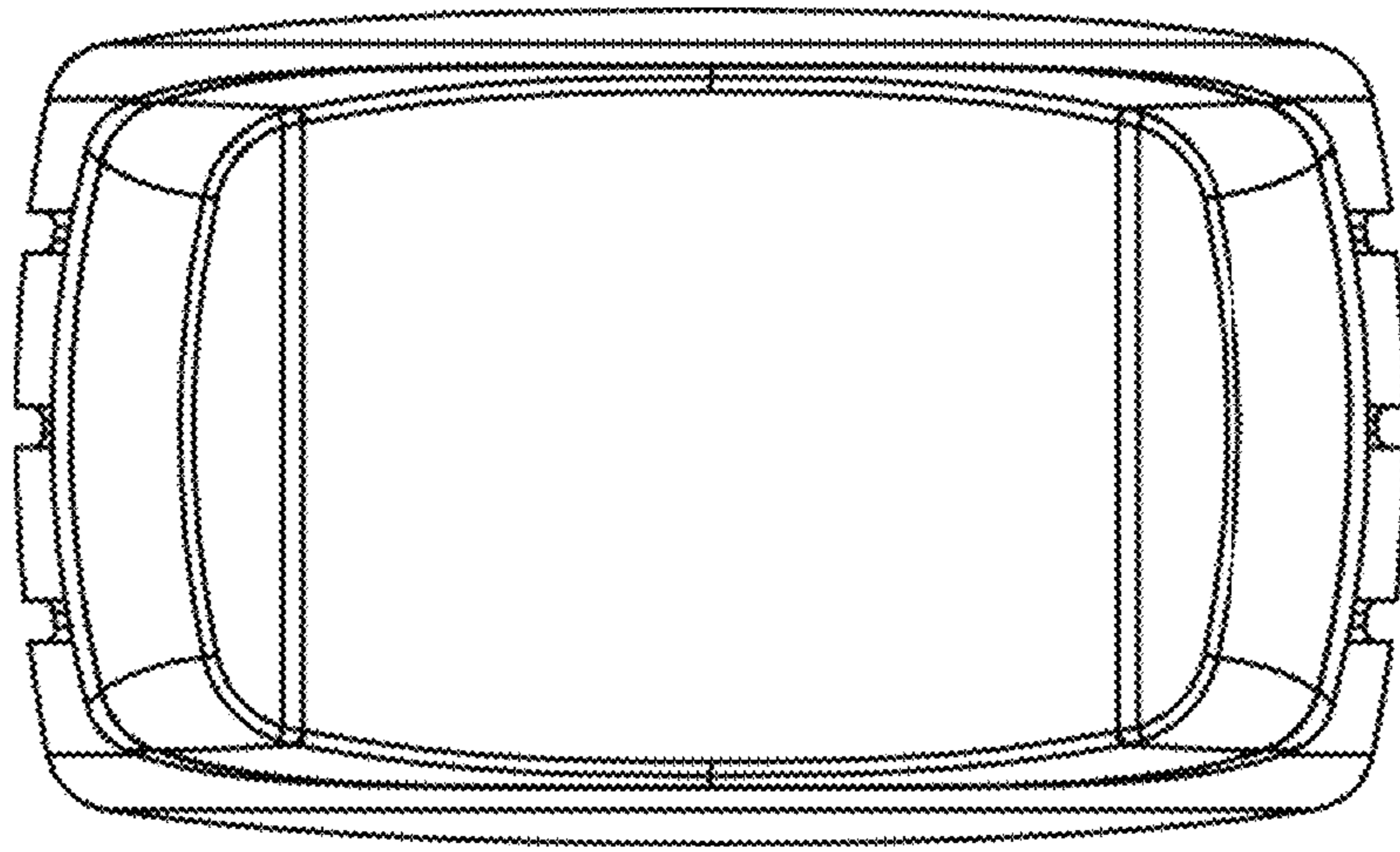


Figure 6

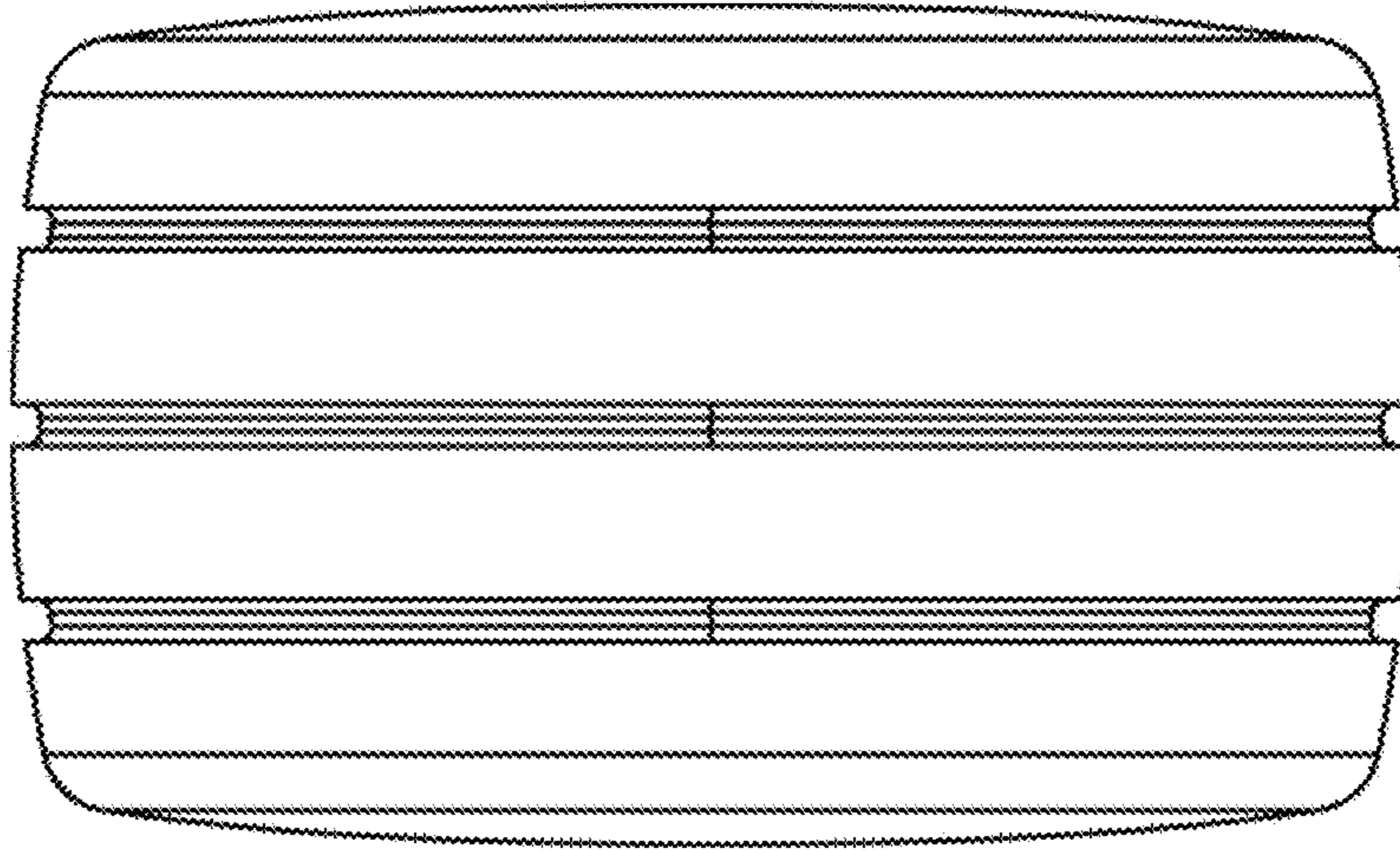


Figure 7