



US00D819445S

(12) **United States Design Patent**
Yen et al.

(10) **Patent No.:** **US D819,445 S**
(45) **Date of Patent:** **** Jun. 5, 2018**

(54) **CONTAINER**

(71) Applicant: **YUEN FOONG YU CONSUMER PRODUCTS CO., LTD.**, Taipei (TW)

(72) Inventors: **Ching-Wen Yen**, Taipei (TW); **Nelson Bilodeau**, Taipei (TW)

(73) Assignee: **YUEN FOONG YU CONSUMER PRODUCTS CO., LTD.**, Taipei (TW)

(**) Term: **15 Years**

(21) Appl. No.: **29/562,811**

(22) Filed: **Apr. 29, 2016**

(30) **Foreign Application Priority Data**

Nov. 24, 2015 (TW) 104306533

(51) **LOC (11) Cl.** **09-01**

(52) **U.S. Cl.**
USPC **D9/528; D9/523; D9/575**

(58) **Field of Classification Search**
USPC D9/516, 520, 523, 528, 530, 531, 533,
D9/572, 575, 715, 745
CPC . B65D 85/00; B65D 1/12; B65D 1/18; B65D
1/20; B65D 21/0237; F16N 3/04
See application file for complete search history.

(56) **References Cited**

U.S. PATENT DOCUMENTS

D376,761 S	*	12/1996	Lathrop	D9/528
D424,946 S	*	5/2000	Alsup	D9/528
D527,268 S	*	8/2006	Kitamura	D9/528
D578,004 S	*	10/2008	Houck	D9/528
D652,304 S	*	1/2012	Heath	D9/523
D657,681 S	*	4/2012	Manderfield, Jr.	D9/528
D696,128 S	*	12/2013	Lindsay	D9/528
D696,589 S	*	12/2013	Soller	D9/528

D723,927 S	*	3/2015	Fish	D9/528
D723,928 S	*	3/2015	Holden	D9/528
D724,435 S	*	3/2015	Kaufman	D9/435
D747,968 S	*	1/2016	Martin	D9/453
D762,486 S	*	8/2016	Meier	D9/719
D784,819 S	*	4/2017	Meier	D9/528
D785,456 S	*	5/2017	Clemence	D9/528
D787,941 S	*	5/2017	Bos	D9/528
D787,942 S	*	5/2017	Bos	D9/528
D787,943 S	*	5/2017	Bos	D9/453
D788,589 S	*	6/2017	Bos	D9/453

FOREIGN PATENT DOCUMENTS

TW	184161	5/1992
TW	D148096	7/2012

* cited by examiner

Primary Examiner — Ian Simmons

Assistant Examiner — Keith Frank

(74) *Attorney, Agent, or Firm* — Chieh-Mei Wang

(57) **CLAIM**

The ornamental design for a container, as shown and described.

DESCRIPTION

FIG. 1 is a perspective view of a container showing the new design;

FIG. 2 is a front view thereof;

FIG. 3 is a rear view thereof;

FIG. 4 is a right side view thereof;

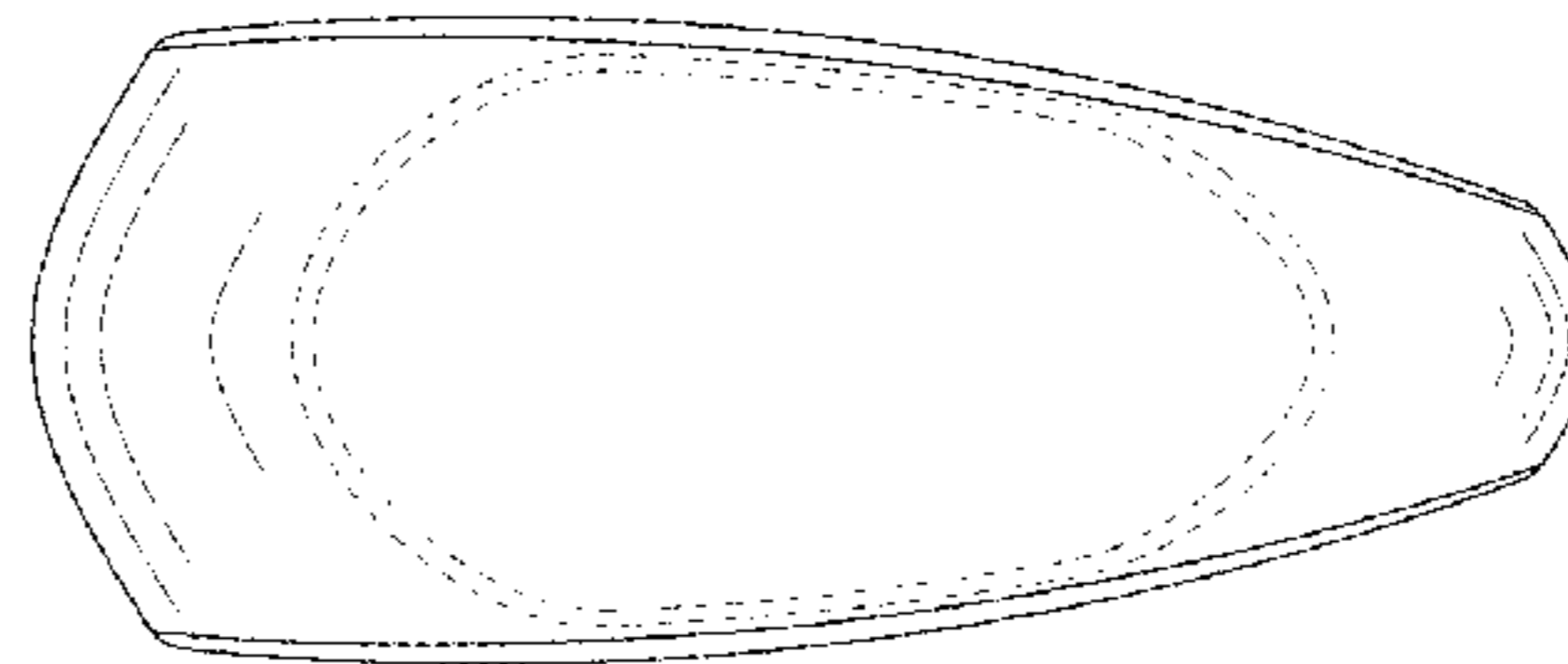
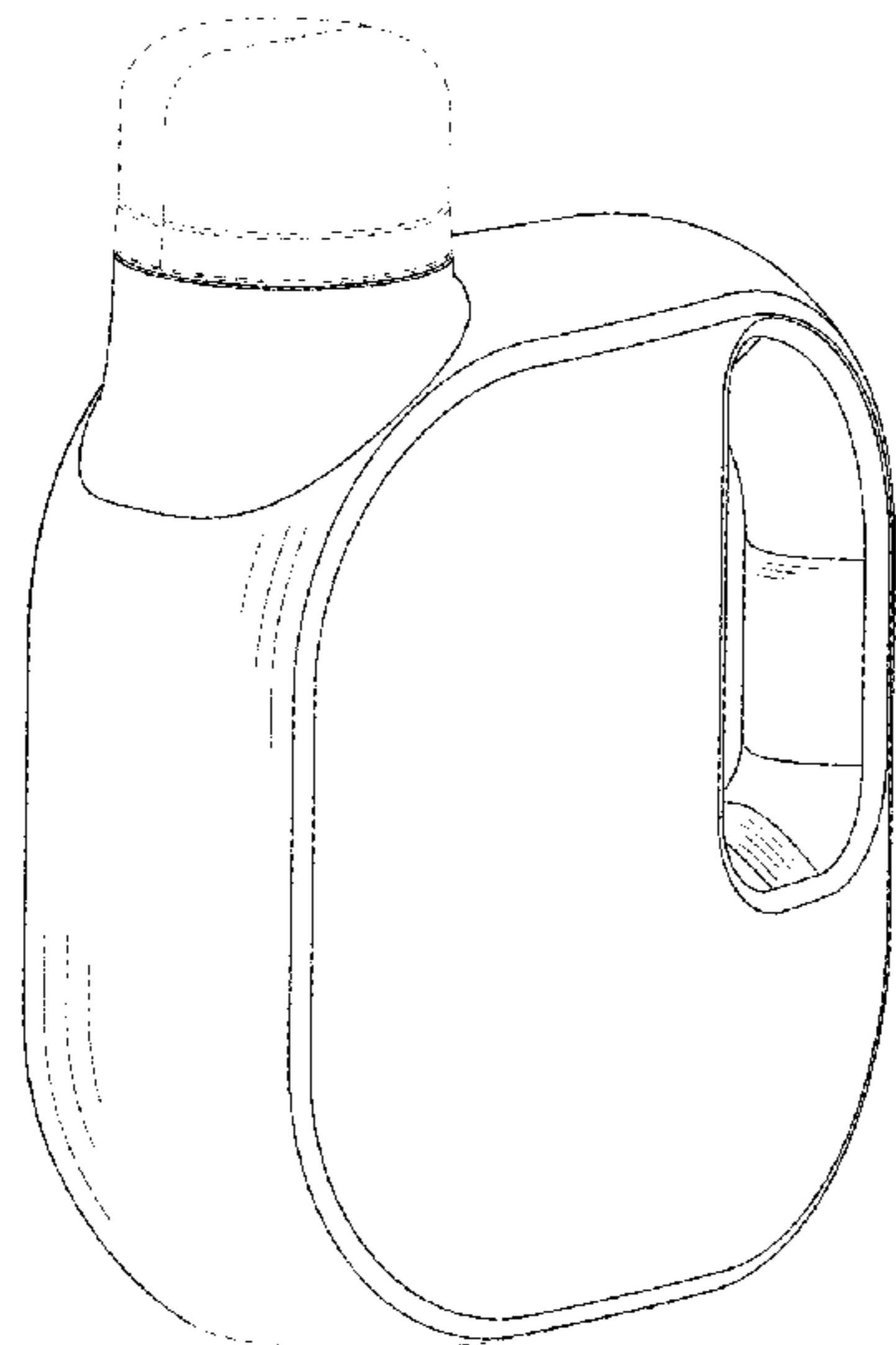
FIG. 5 is a left side view thereof;

FIG. 6 is a bottom view thereof; and,

FIG. 7 is a top view thereof.

The broken lines in the drawings showing the container illustrate the portions of the container that form no part of the claim.

1 Claim, 7 Drawing Sheets



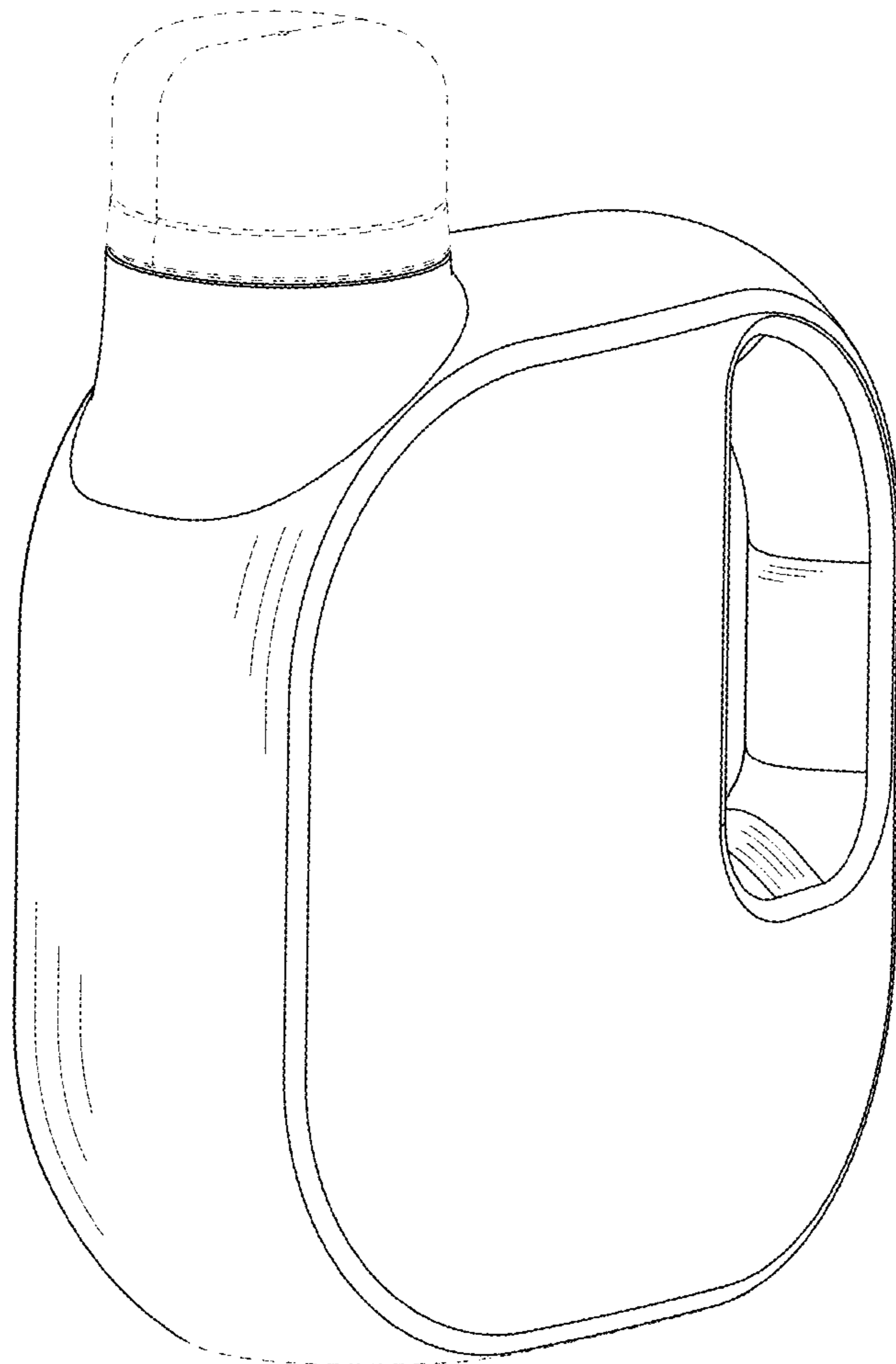


FIG. 1

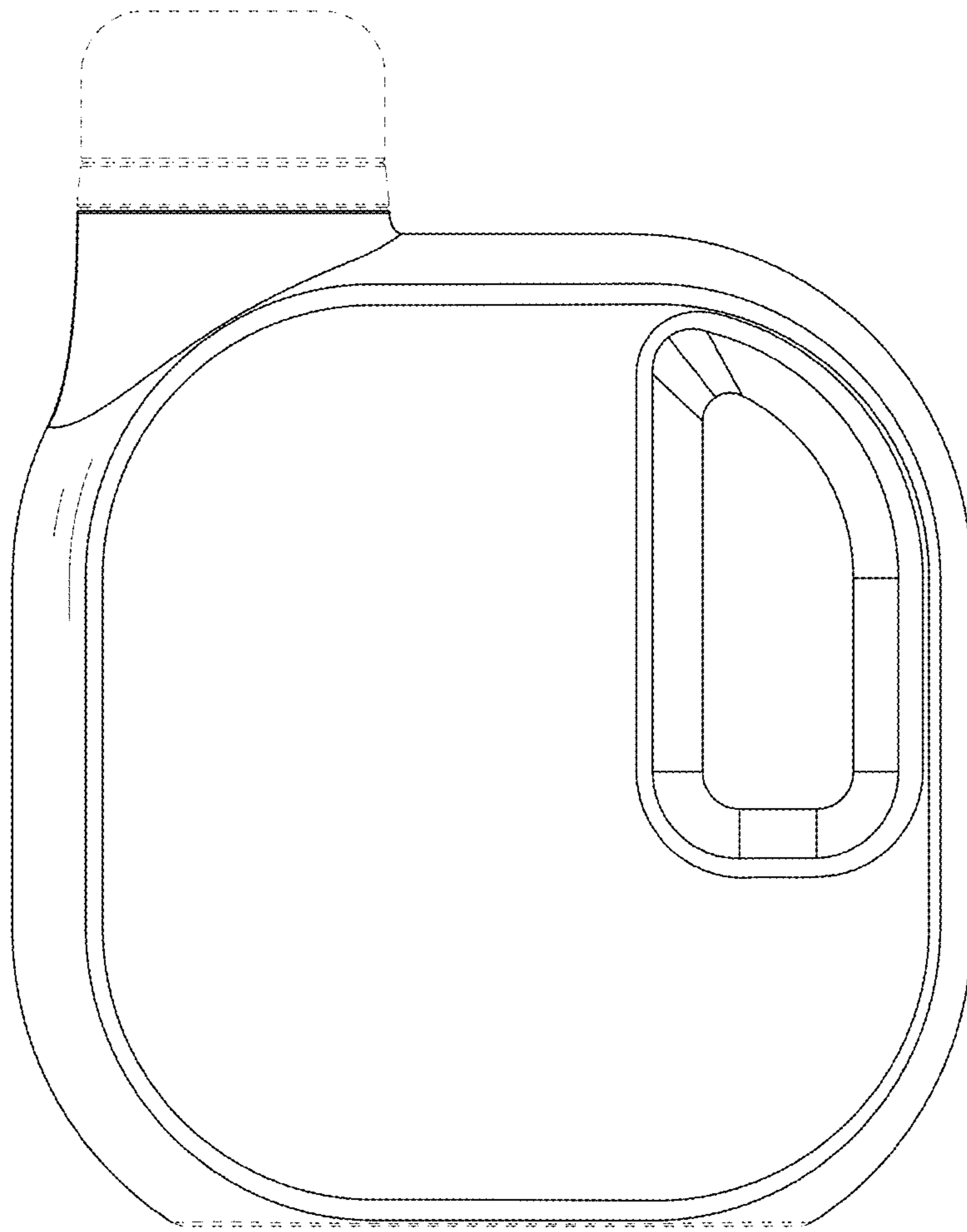


FIG. 2

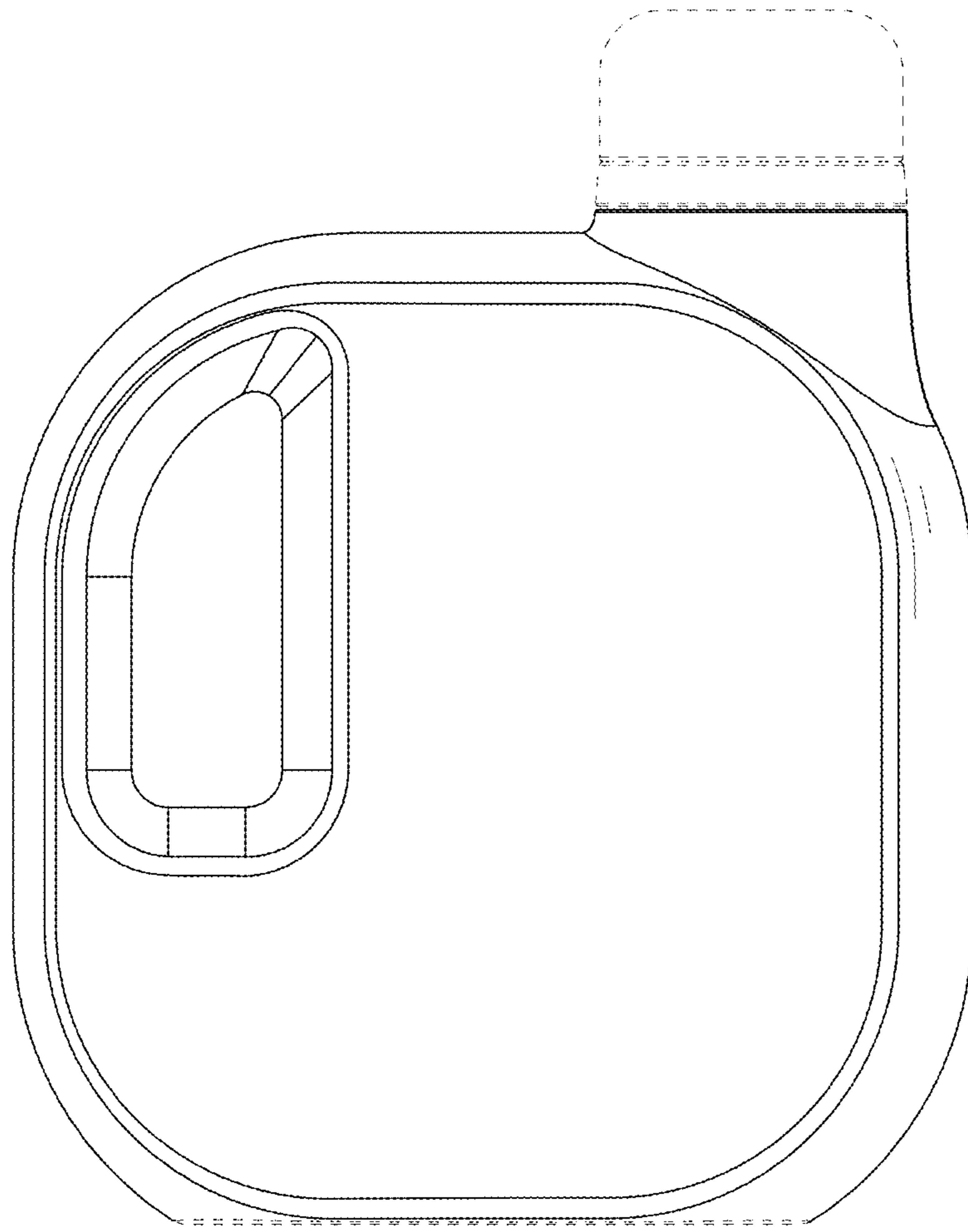


FIG. 3

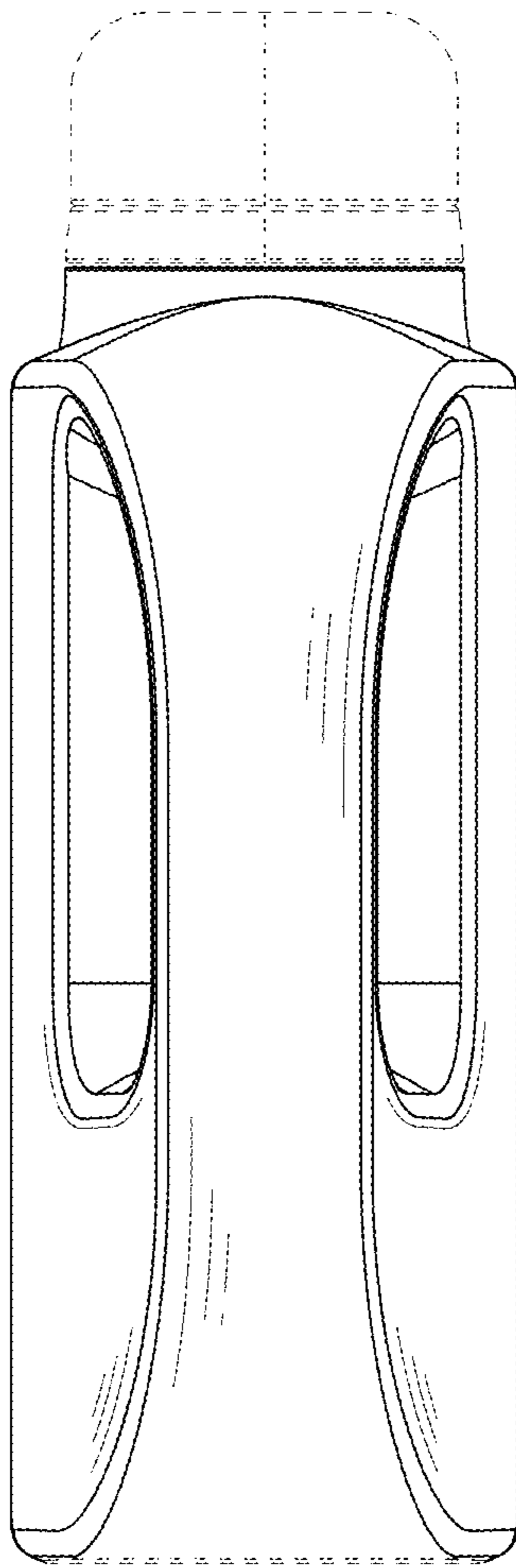


FIG. 4

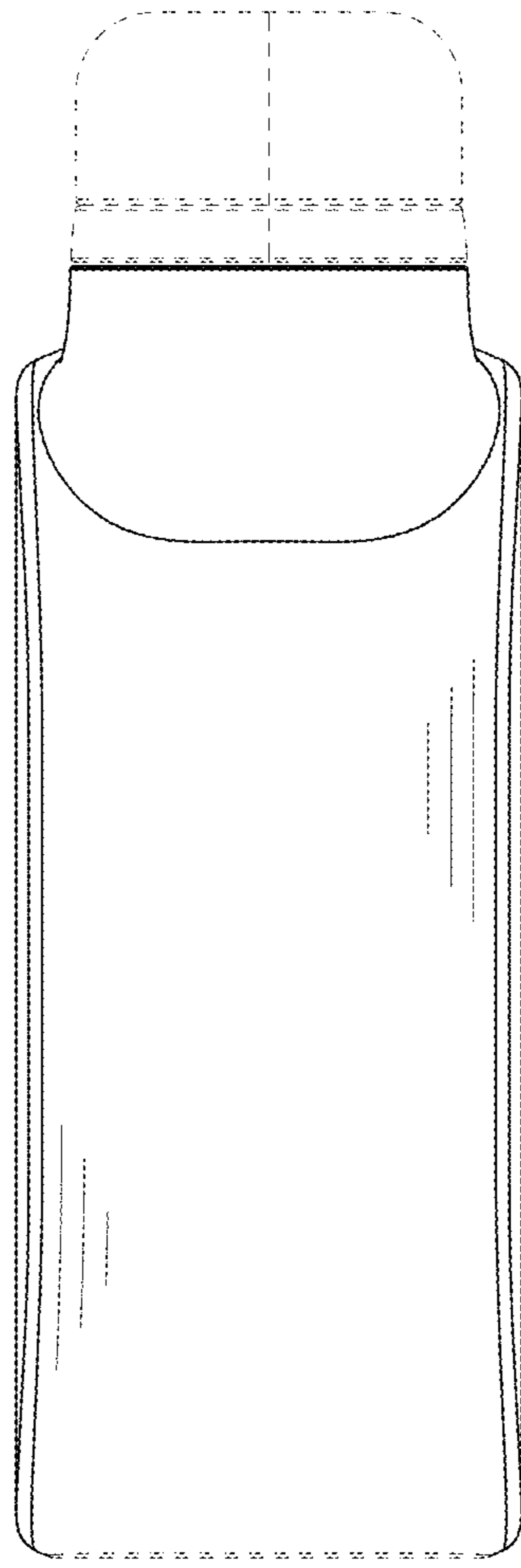


FIG. 5

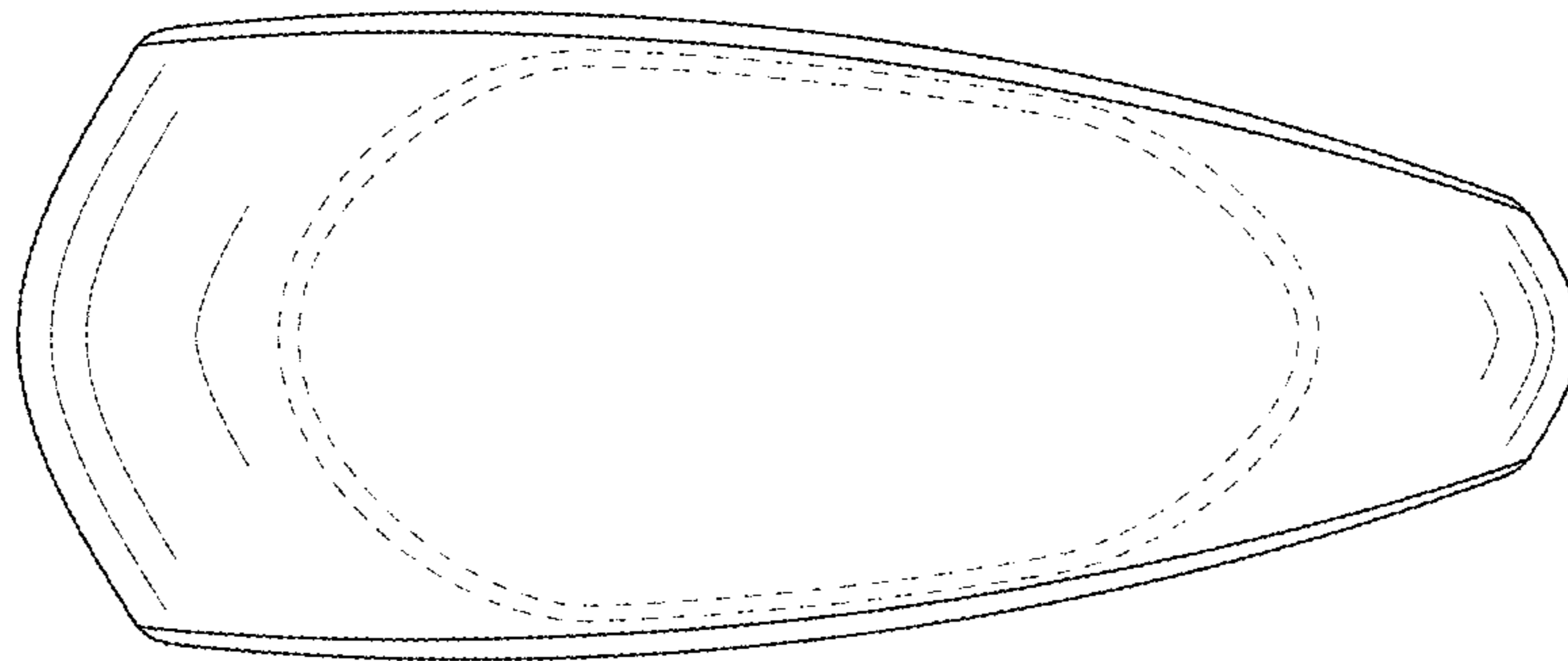


FIG. 6

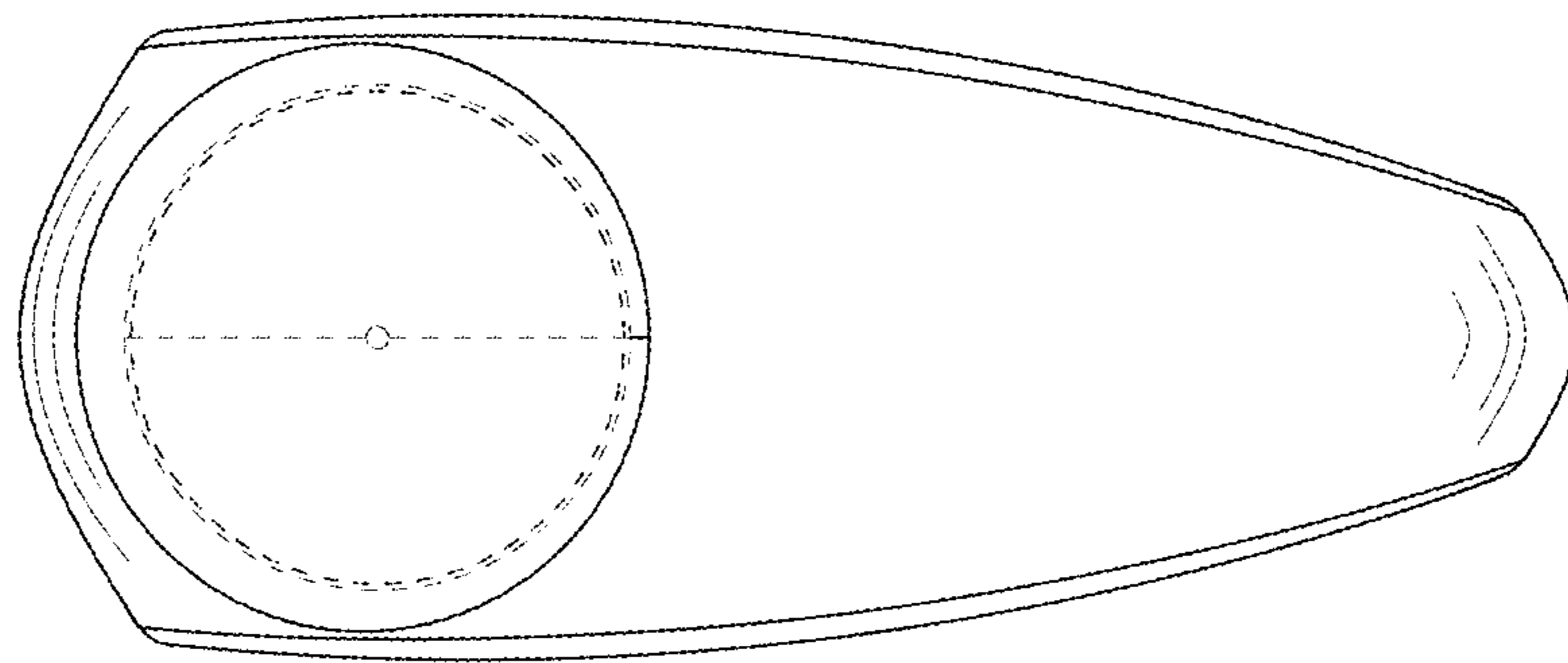


FIG. 7