



US00D819443S

(12) **United States Design Patent**
Martinez Carregui et al.

(10) **Patent No.:** **US D819,443 S**
(45) **Date of Patent:** **** Jun. 5, 2018**

(54) **MULTI-FLOW DISPENSER STOPPER**

(71) Applicant: **Borges Branded Foods SLU**, Tarrega (ES)

(72) Inventors: **Alberto Martinez Carregui**, Valencia (ES); **Jose Garcia Zaragoza**, Valencia (ES)

(73) Assignee: **Borges Branded Foods SLU** (ES)

(**) Term: **15 Years**

(21) Appl. No.: **29/594,800**

(22) Filed: **Feb. 22, 2017**

(51) **LOC (11) Cl.** **09-07**

(52) **U.S. Cl.**

USPC **D9/440**; D9/439

(58) **Field of Classification Search**

USPC D3/202, 203.1, 242; D7/316, 321, 392.1, D7/396.2, 397, 500, 507, 509-511; D9/434-437, 439, 440, 442-445, 447, D9/448, 449, 450, 452-455, 499, 682, D9/685, 394; D23/213, 227, 233, 255, D23/260, 269, 390

CPC B65D 39/08; B65D 47/40; B65D 47/043; B65D 51/245

See application file for complete search history.

(56) **References Cited**

U.S. PATENT DOCUMENTS

D308,170	S	*	5/1990	Wilfong, Jr.	D9/447
D363,666	S	*	10/1995	Goto	D7/900
D379,302	S	*	5/1997	Rodman	D9/440
5,850,944	A		12/1998	Robbins, III et al.		
D427,303	S	*	6/2000	Brown	D23/390
D458,844	S	*	6/2002	Shea	D9/435
D562,683	S	*	2/2008	Sweeton	D9/454
D716,656	S	*	11/2014	Carregui	D9/440
D773,883	S	*	12/2016	Elias	D7/392.1
D775,492	S	*	1/2017	Elias	D7/392.1
D787,025	S	*	5/2017	Taylor	D23/260

9,669,970	B2	*	6/2017	Martinez Carregui	B65D 47/20
D792,765	S	*	7/2017	Buck	D9/449
D799,958	S	*	10/2017	Butruille	D9/440
9,790,008	B2	*	10/2017	Martinez Carregui	B65D 47/40
D802,104	S	*	11/2017	Nagahamaya	D23/269
2006/0108382	A1		5/2006	Migliore		
2015/0298872	A1	*	10/2015	Martinez Carregui	B65D 47/20 222/567
2017/0088320	A1	*	3/2017	Martinez Carregui	B65D 47/40

FOREIGN PATENT DOCUMENTS

DE	8118787	U1	7/1982
JP	618262	U	3/1994
JP	2003052513	A	2/2003
JP	2006103706	A	4/2006
JP	2006143328	A	6/2006

* cited by examiner

Primary Examiner — Robert M. Spear
Assistant Examiner — Darcey E Heflin
(74) *Attorney, Agent, or Firm* — St. Onge Steward
Johnston & Reens, LLC

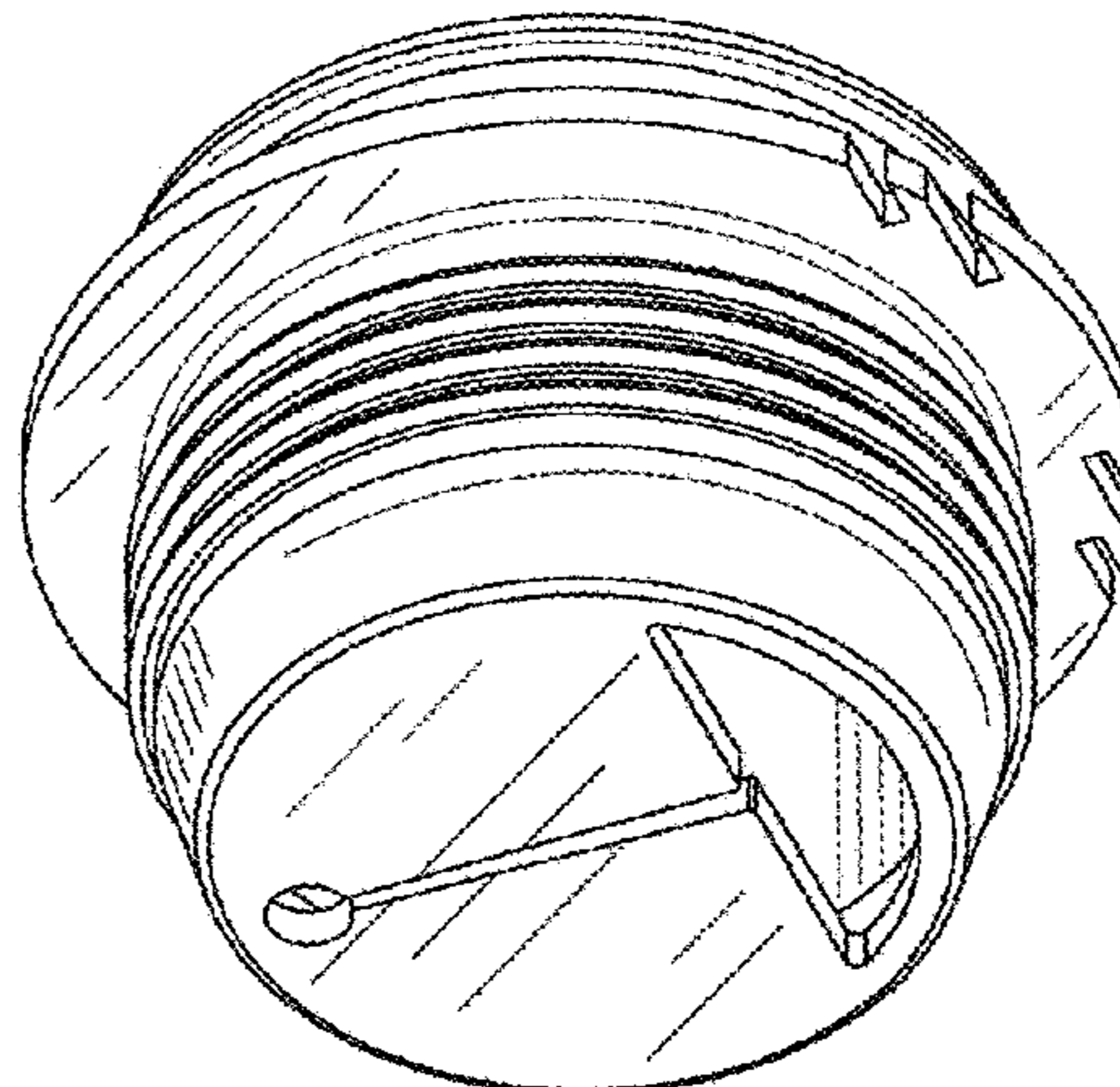
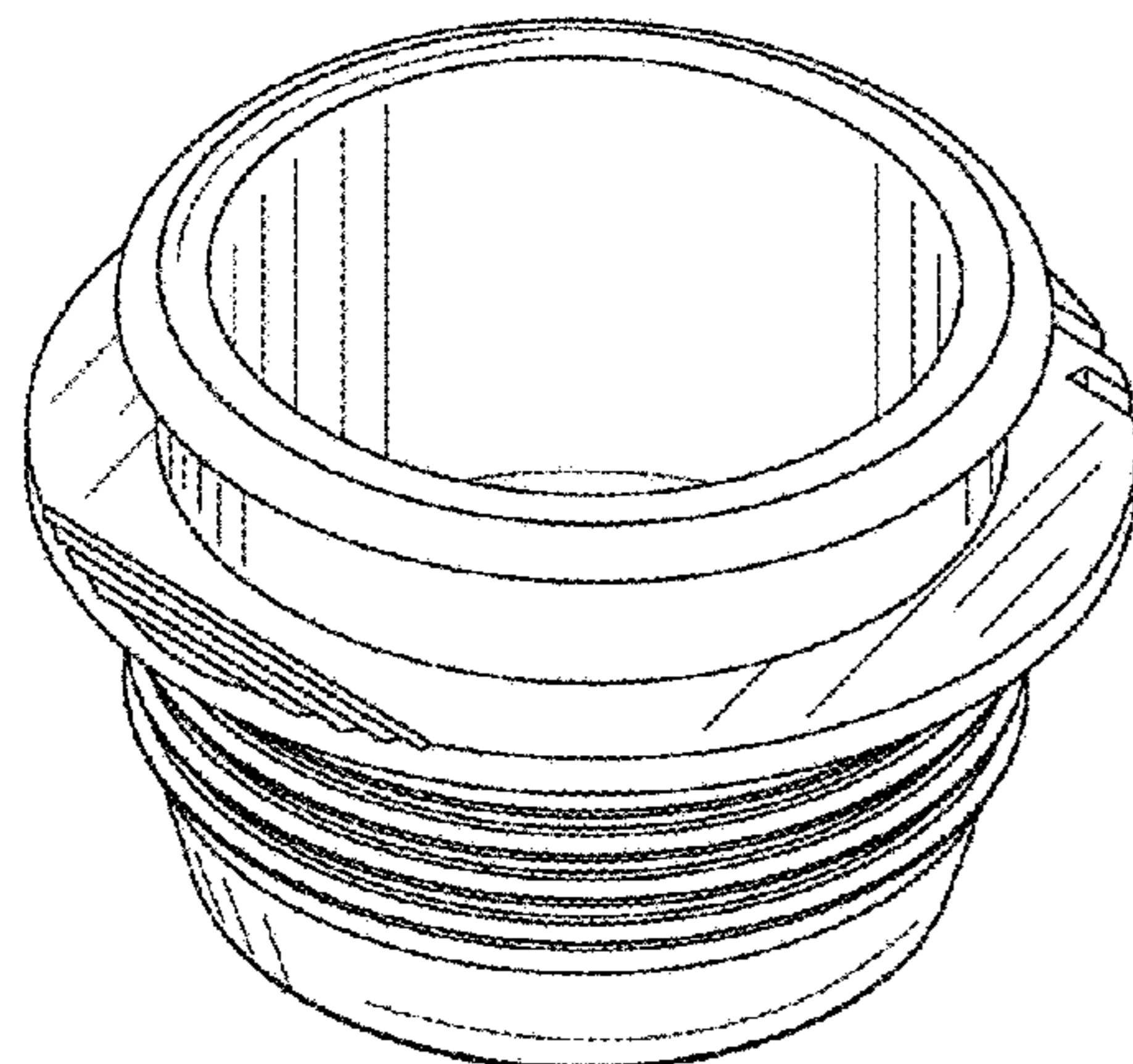
(57) **CLAIM**

The ornamental design for a multi-flow dispenser stopper, as shown and described.

DESCRIPTION

FIG. 1 is a top isometric view of a multi-flow dispenser stopper in accordance with the new design; FIG. 2 is a bottom isometric view thereof; FIG. 3 is a rear view thereof; FIG. 4 is a front view thereof; FIG. 5 is a right side view thereof and it is understood that the left side is a mirror image thereof; FIG. 6 is a top view thereof; and, FIG. 7 is a bottom view thereof.

1 Claim, 4 Drawing Sheets



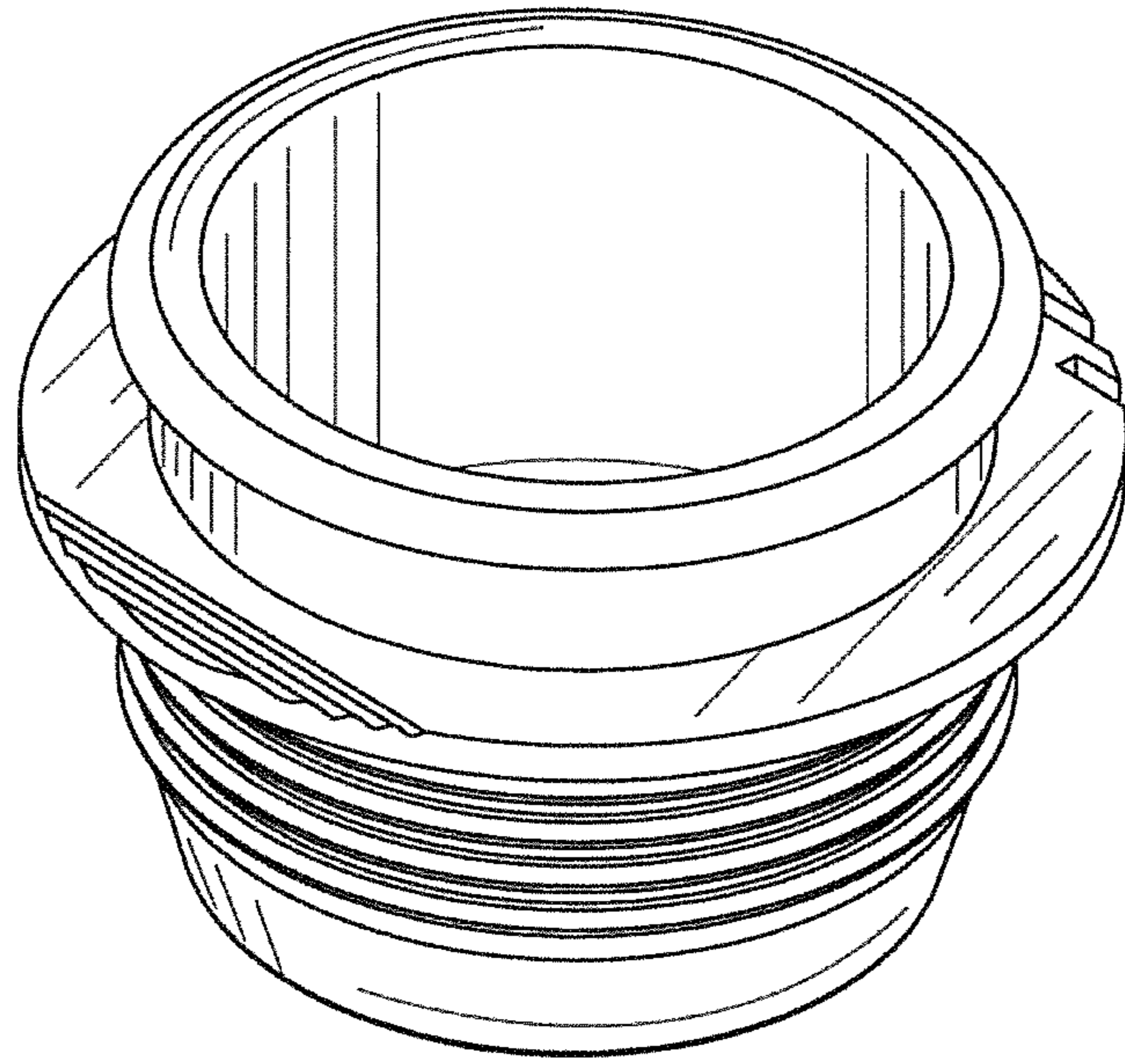


Fig. 1

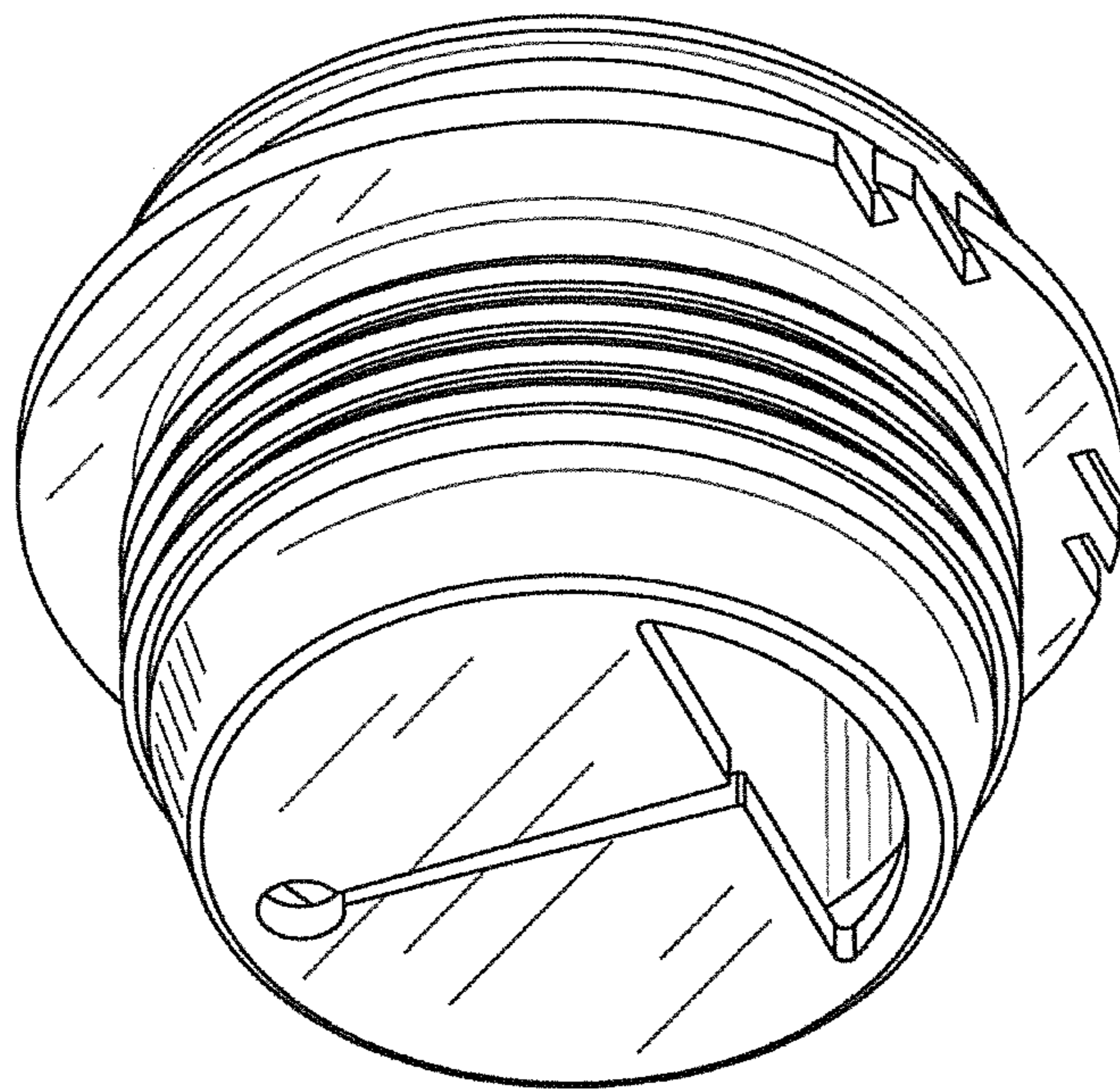


Fig. 2

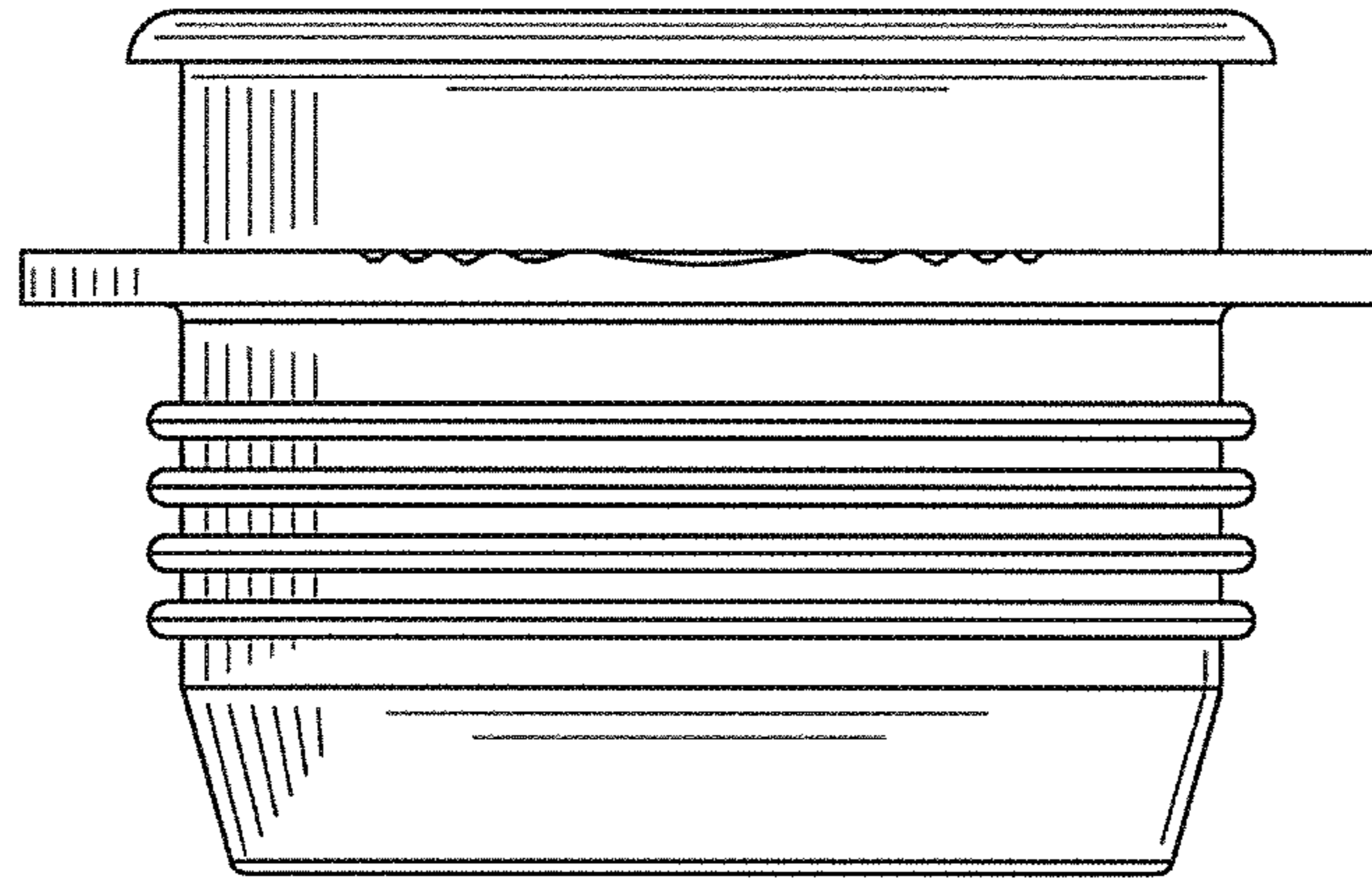


Fig. 3

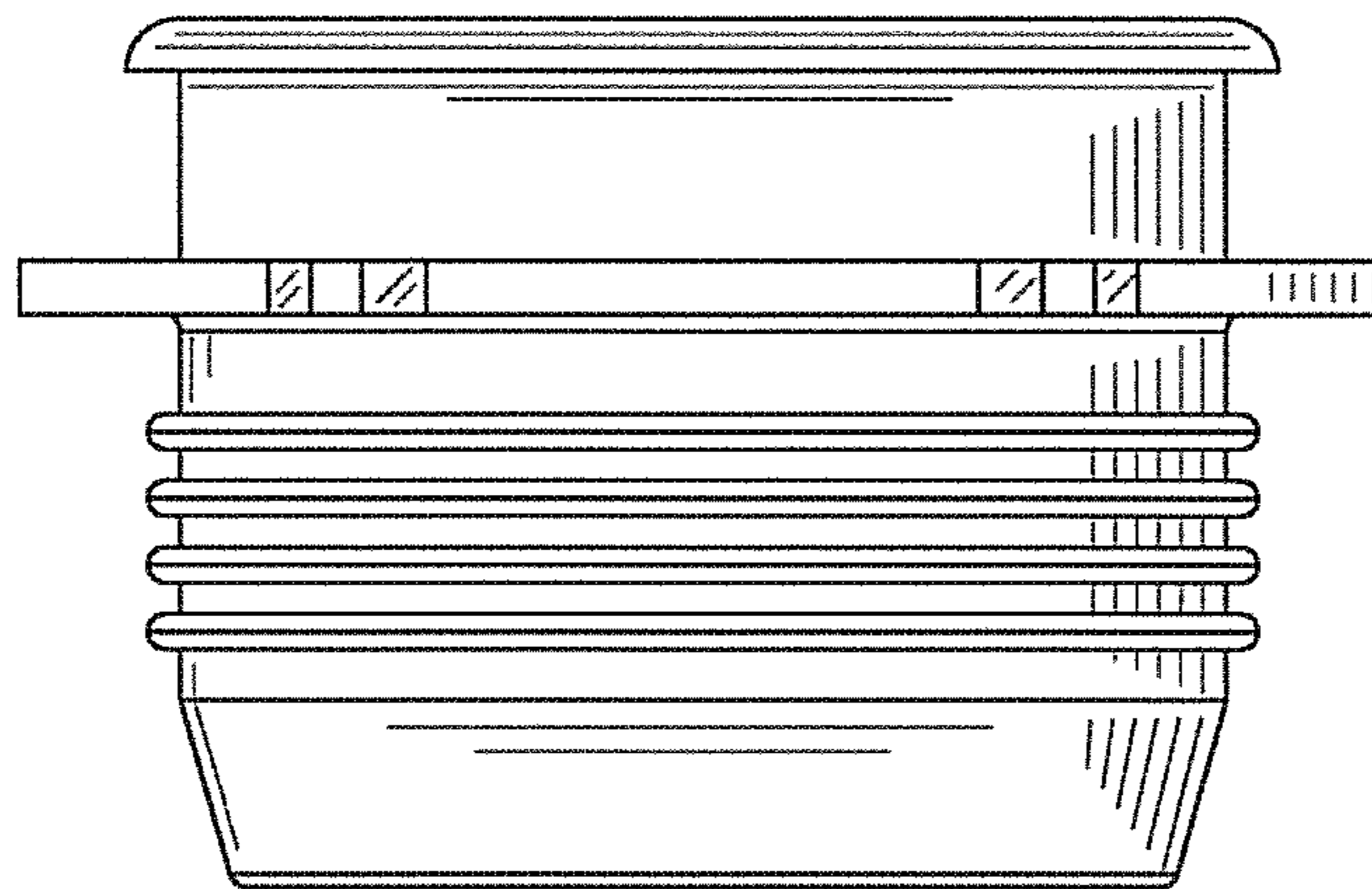


Fig. 4

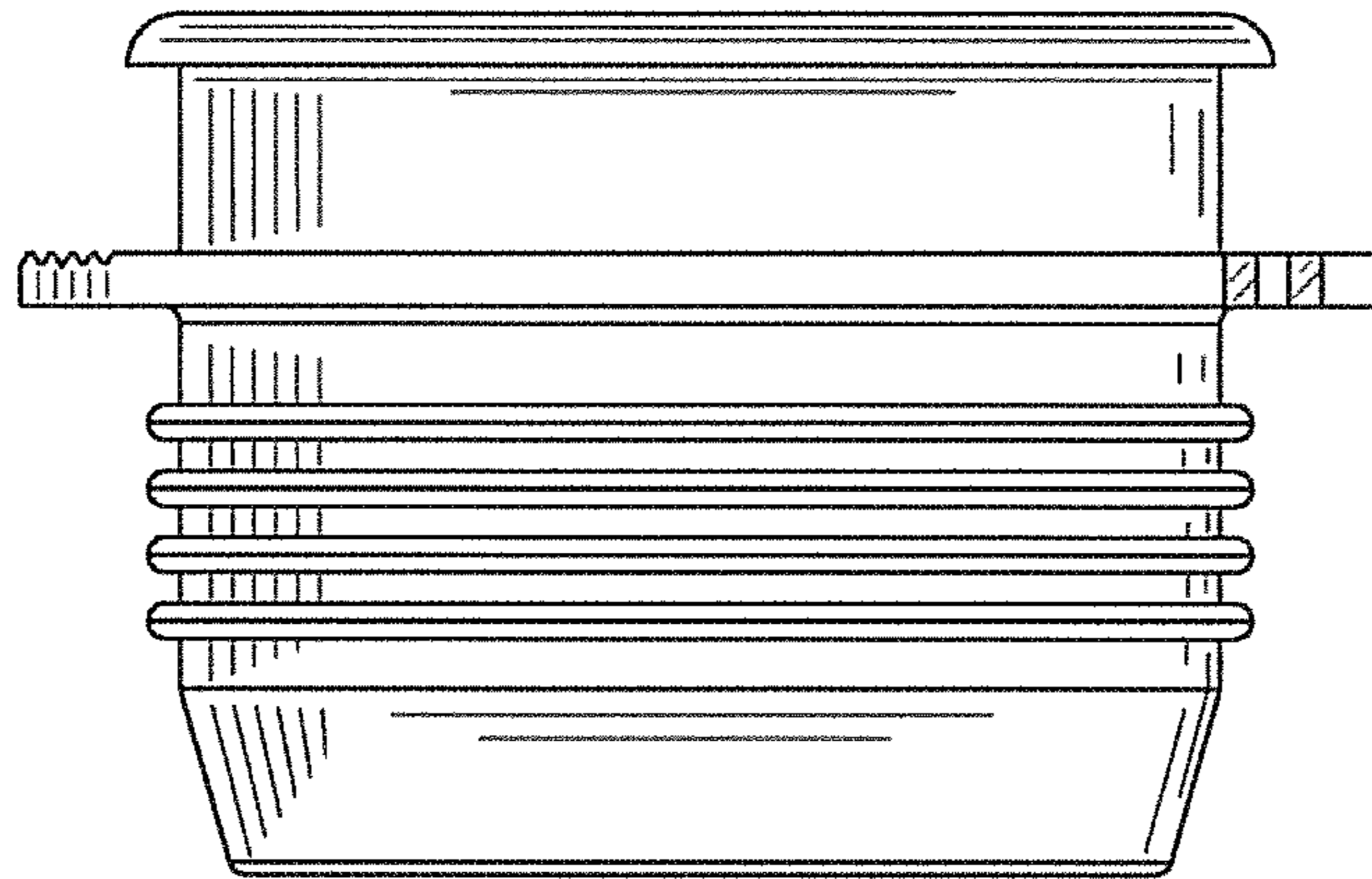


Fig. 5

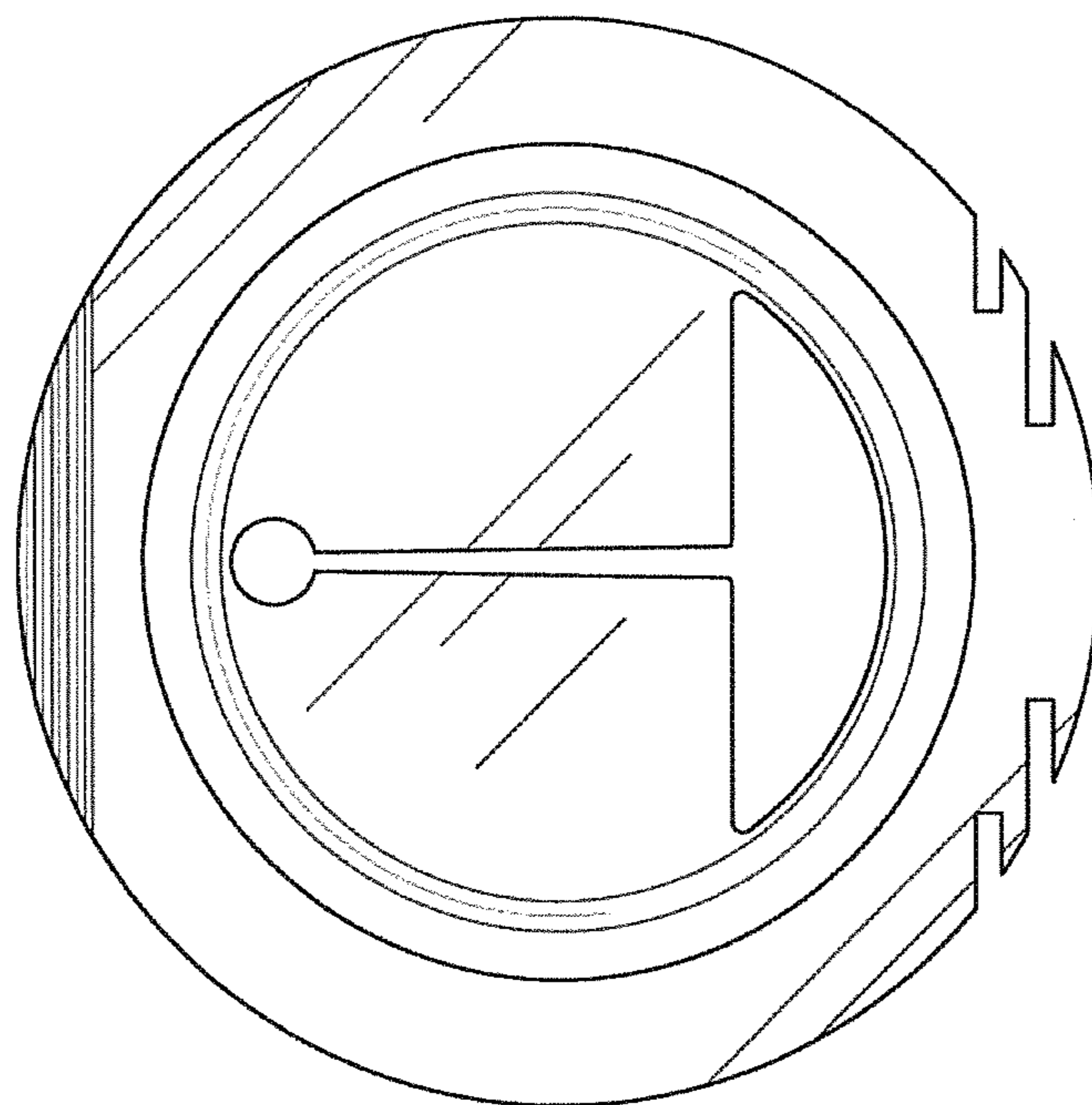


Fig. 6

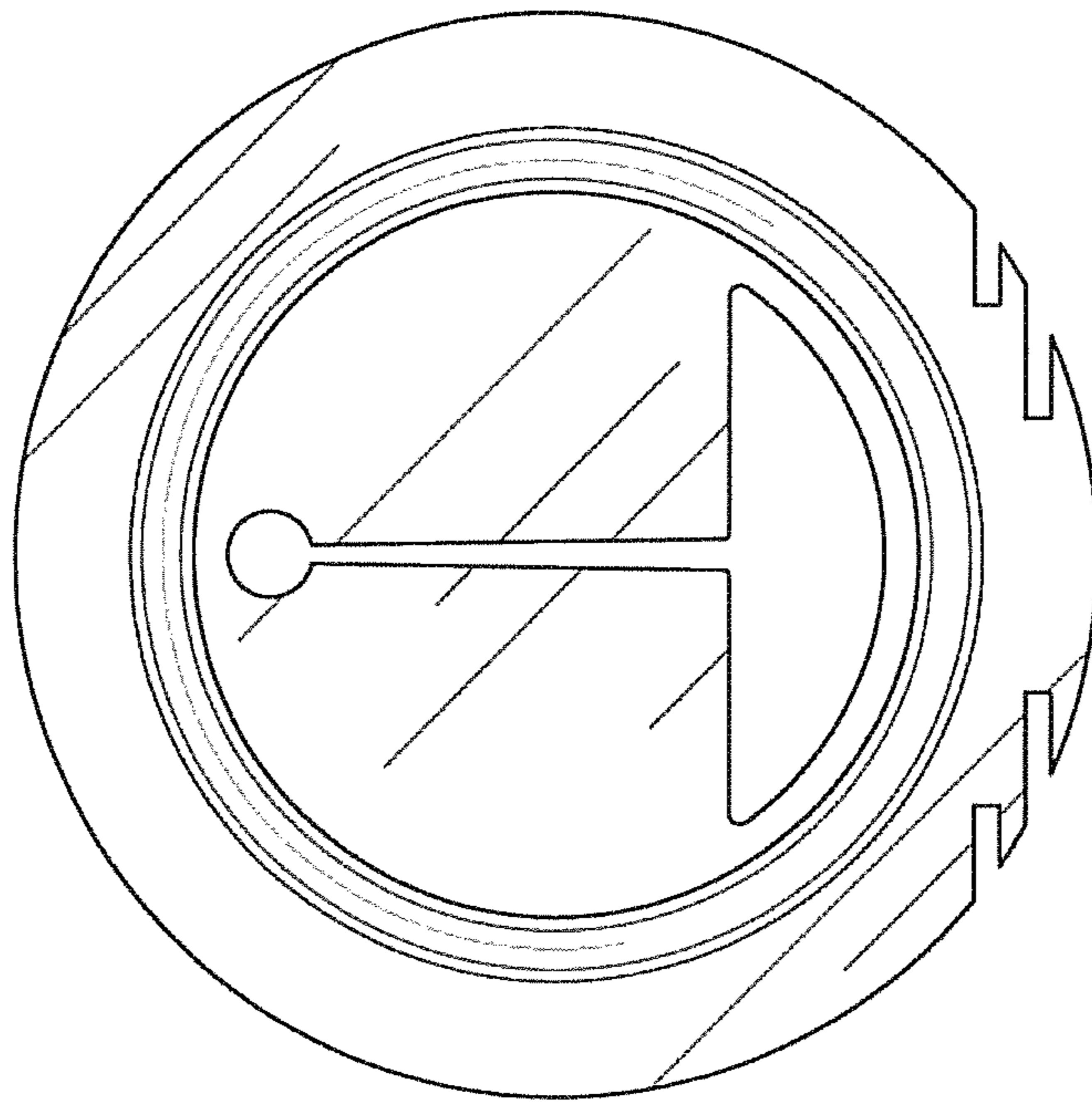


Fig. 7