



US00D819441S

(12) **United States Design Patent** (10) **Patent No.:** **US D819,441 S**  
**Doster** (45) **Date of Patent:** **\*\* Jun. 5, 2018**

(54) **TRAY**  
(71) Applicant: **Paradise Packaging Inc.**, Orchard Park, NY (US)  
(72) Inventor: **Gary Doster**, Orchard Park, NY (US)  
(73) Assignee: **Paradise Packaging Inc.**, Orchard Park, NY (US)  
(\*\*) Term: **15 Years**  
(21) Appl. No.: **29/596,542**  
(22) Filed: **Mar. 9, 2017**  
(51) **LOC (11) Cl.** ..... **09-03**  
(52) **U.S. Cl.**  
USPC ..... **D9/432**  
(58) **Field of Classification Search**  
USPC ..... D26/25, 31, 35, 36, 28, 67, 71, 83, 118,  
D26/37, 41, 113, 138, 120, 121, 122;  
D14/230; D17/20; D9/432, 456  
CPC .... F21S 4/00; F21S 4/003; F21S 4/006; F21S  
8/00; F21S 8/024; F21S 8/026  
See application file for complete search history.

D285,357 S \* 8/1986 Pritchett ..... D26/61  
D374,729 S \* 10/1996 Hauser ..... D26/28  
D397,470 S \* 8/1998 Bassford ..... D10/104.1  
D435,215 S \* 12/2000 Guzman ..... D9/422  
D545,487 S \* 6/2007 Bynum ..... D26/120  
D550,895 S \* 9/2007 Huang ..... D26/142  
D707,386 S \* 6/2014 McKenzie ..... D26/142  
D718,484 S \* 11/2014 Eberle ..... D26/89  
D759,287 S \* 6/2016 Chen ..... D26/128  
D771,301 S \* 11/2016 Stanley ..... D26/118  
D778,487 S \* 2/2017 Salomon ..... D26/138  
D795,492 S \* 8/2017 Kim ..... D26/120  
D798,708 S \* 10/2017 Chambers ..... D9/432  
D803,057 S \* 11/2017 Malone ..... D9/456

\* cited by examiner

*Primary Examiner* — Garth Rademaker  
*Assistant Examiner* — Benjamin M Weeks  
(74) *Attorney, Agent, or Firm* — Roach Brown McCarthy & Gruber, P.C.; Kevin D. McCarthy

(57) **CLAIM**

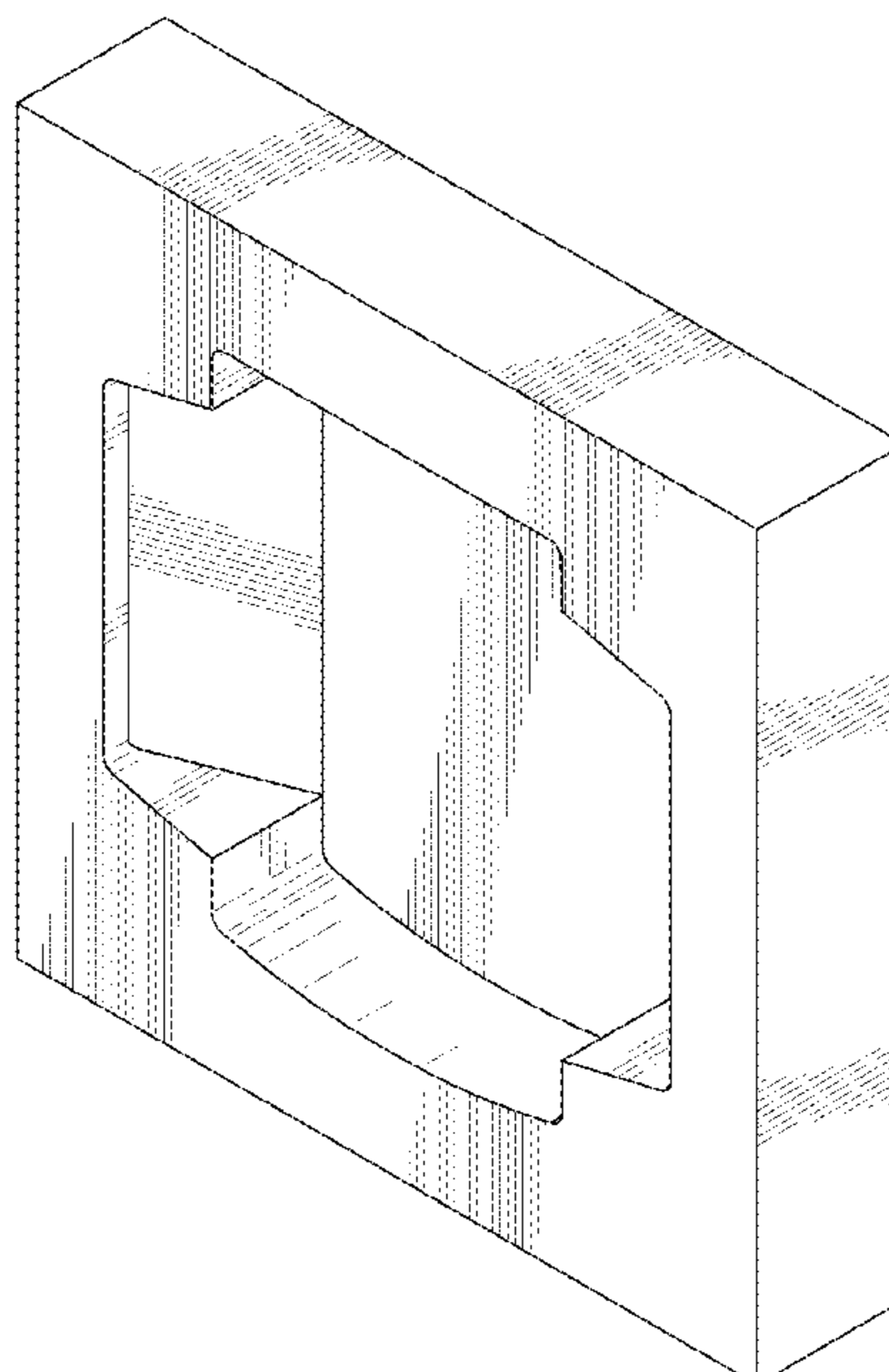
The ornamental design for a tray, as shown and described.

**DESCRIPTION**

FIG. 1 is a perspective view of the bottom, left side and front surfaces of a tray of the applicant's design;  
FIG. 2 is a front view thereof;  
FIG. 3 is a left side view thereof;  
FIG. 4 is a rear view thereof;  
FIG. 5 is a right side view thereof;  
FIG. 6 is a top view thereof;  
FIG. 7 is a bottom view thereof;  
FIG. 8 is a sectional view of FIG. 2 taken along the lines 8-8;  
and,  
FIG. 9 is a sectional view of FIG. 2 taken along the lines 9-9.

**1 Claim, 6 Drawing Sheets**

(56) **References Cited**  
U.S. PATENT DOCUMENTS  
D211,820 S \* 7/1968 Pettengill ..... D26/85  
D234,805 S \* 4/1975 Stentz ..... D26/67  
D234,807 S \* 4/1975 Ervin ..... D26/67  
D234,808 S \* 4/1975 Ervin ..... D26/67  
D234,809 S \* 4/1975 Delin ..... D26/67  
D234,810 S \* 4/1975 Delin ..... D26/67  
D234,811 S \* 4/1975 Stentz ..... D26/67  
D234,812 S \* 4/1975 Stentz ..... D26/67  
D234,813 S \* 4/1975 Stentz ..... D26/67  
D263,121 S \* 2/1982 Lowry ..... D9/432



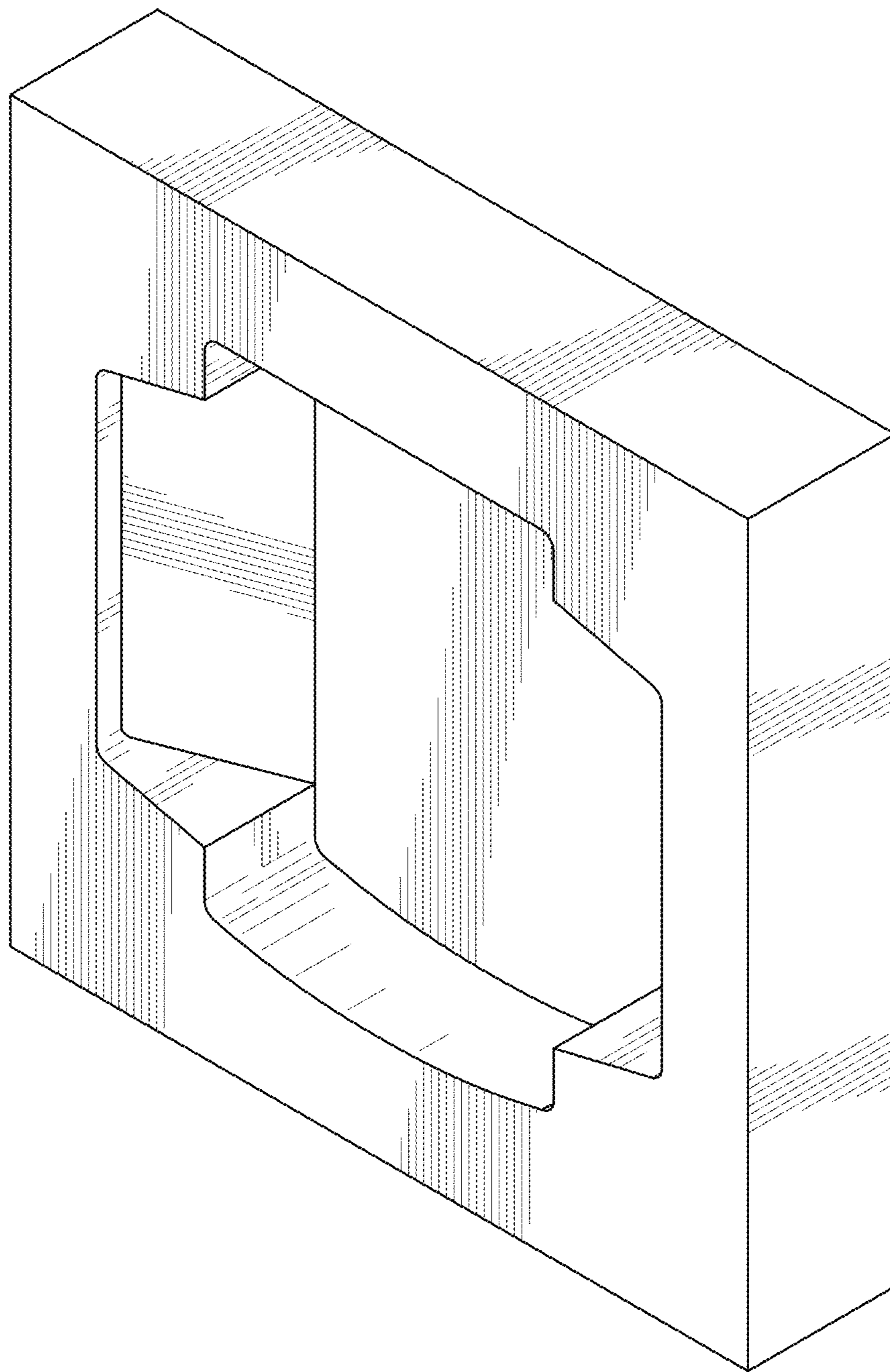


FIG. 1

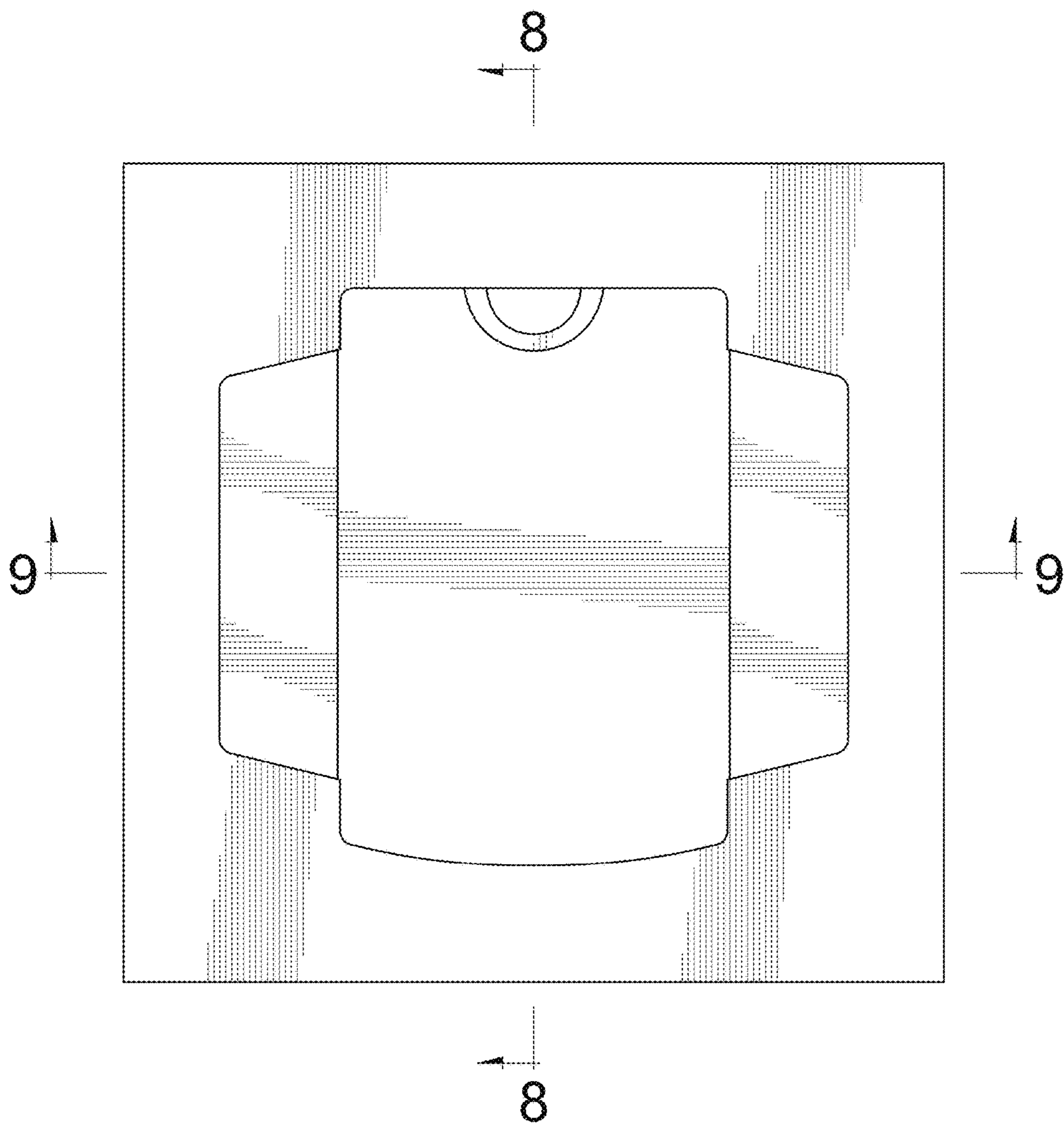


FIG. 2

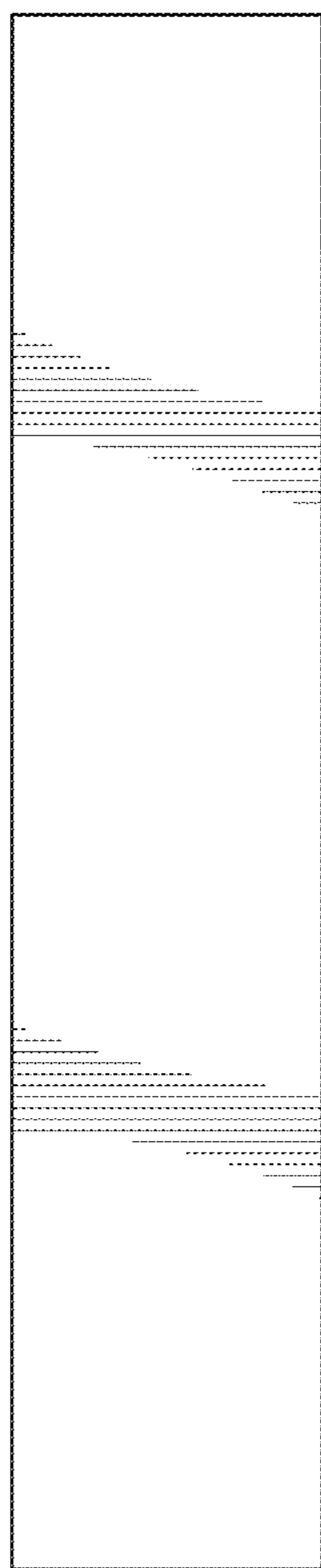


FIG. 3

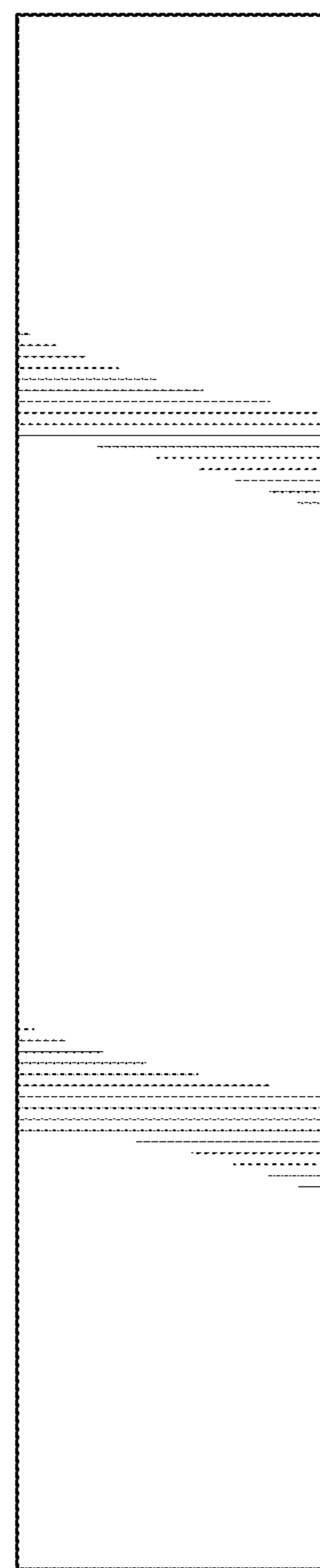


FIG. 5

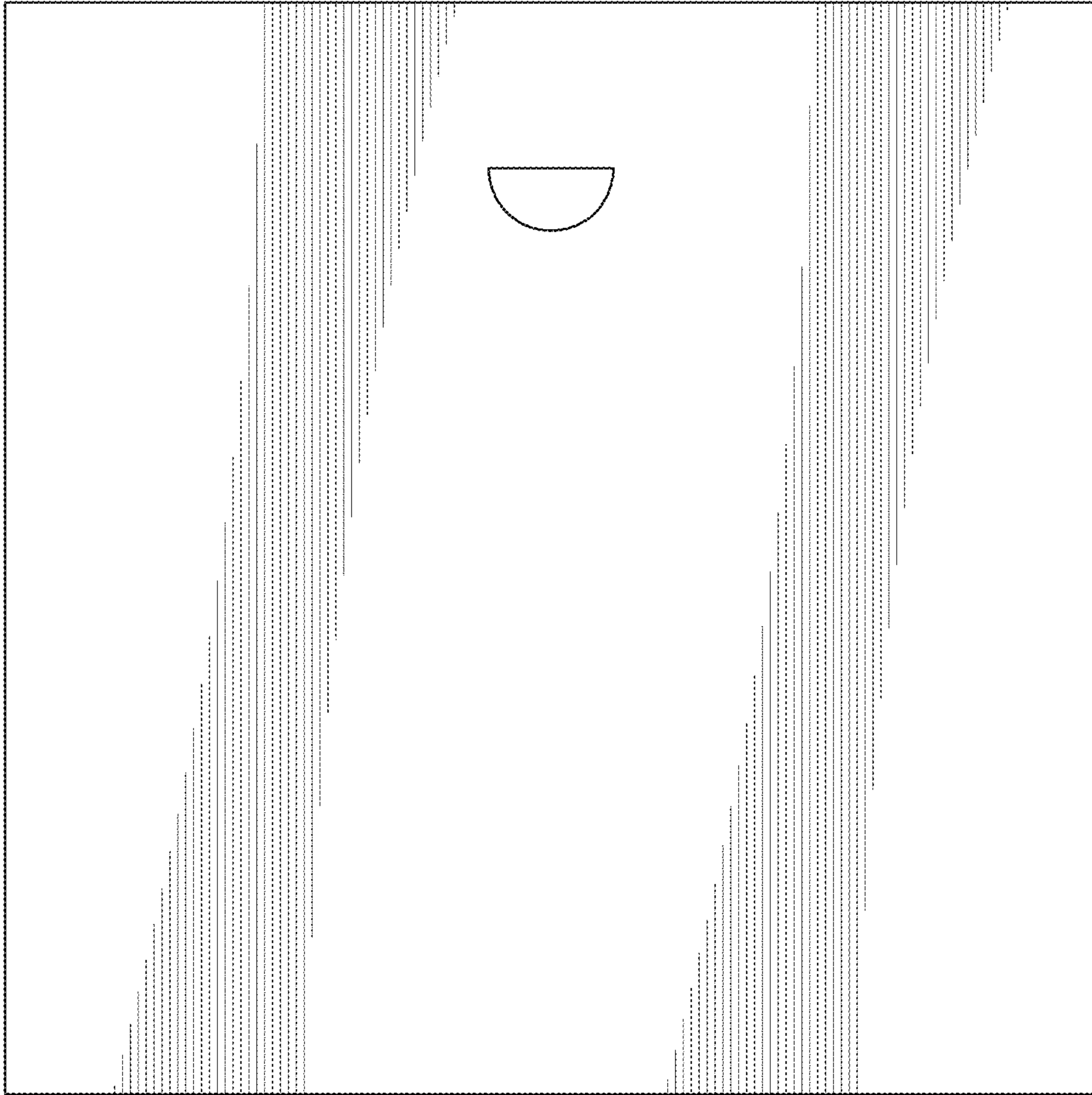


FIG. 4



FIG. 6



FIG. 7

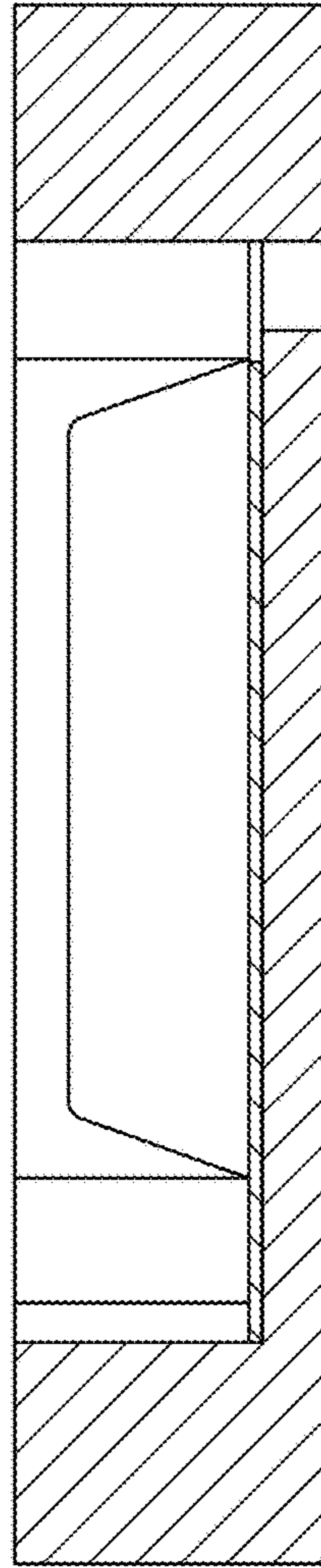


FIG. 8

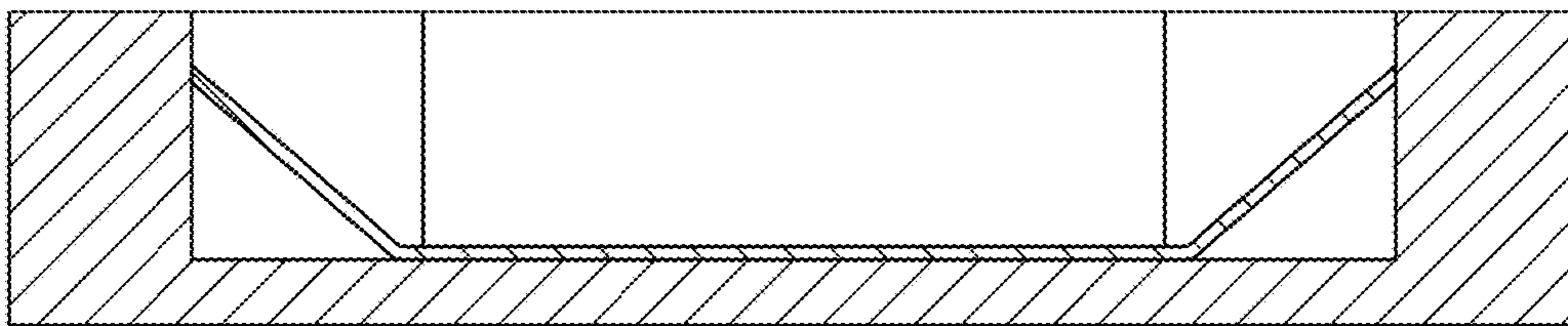


FIG. 9