



US00D819439S

(12) **United States Design Patent**
Young

(10) **Patent No.:** **US D819,439 S**
(45) **Date of Patent:** **** Jun. 5, 2018**

(54) **EQUIPMENT BOX**

(71) Applicant: **Venner Medical Technologies SA**, St. Helier, Jersey (JE)

(72) Inventor: **Peter Jeffrey Young**, King's Lynn (GB)

(73) Assignee: **Venner Medical Technologies SA**, Saint Helier, Bailiwick of Jersey

(**) Term: **15 Years**

(21) Appl. No.: **29/592,232**

(22) Filed: **Jan. 27, 2017**

(30) **Foreign Application Priority Data**

Jul. 29, 2016 (EM) 003324177-0003

Jul. 29, 2016 (EM) 003324177-0004

(51) **LOC (11) Cl.** **09-03**

(52) **U.S. Cl.**
USPC **D9/420; D9/423**

(58) **Field of Classification Search**
USPC D9/414-426, 428, 429, 432, 438, 439,
D9/449, 503, 500, 501, 504, 517, 545,
(Continued)

(56) **References Cited**

U.S. PATENT DOCUMENTS

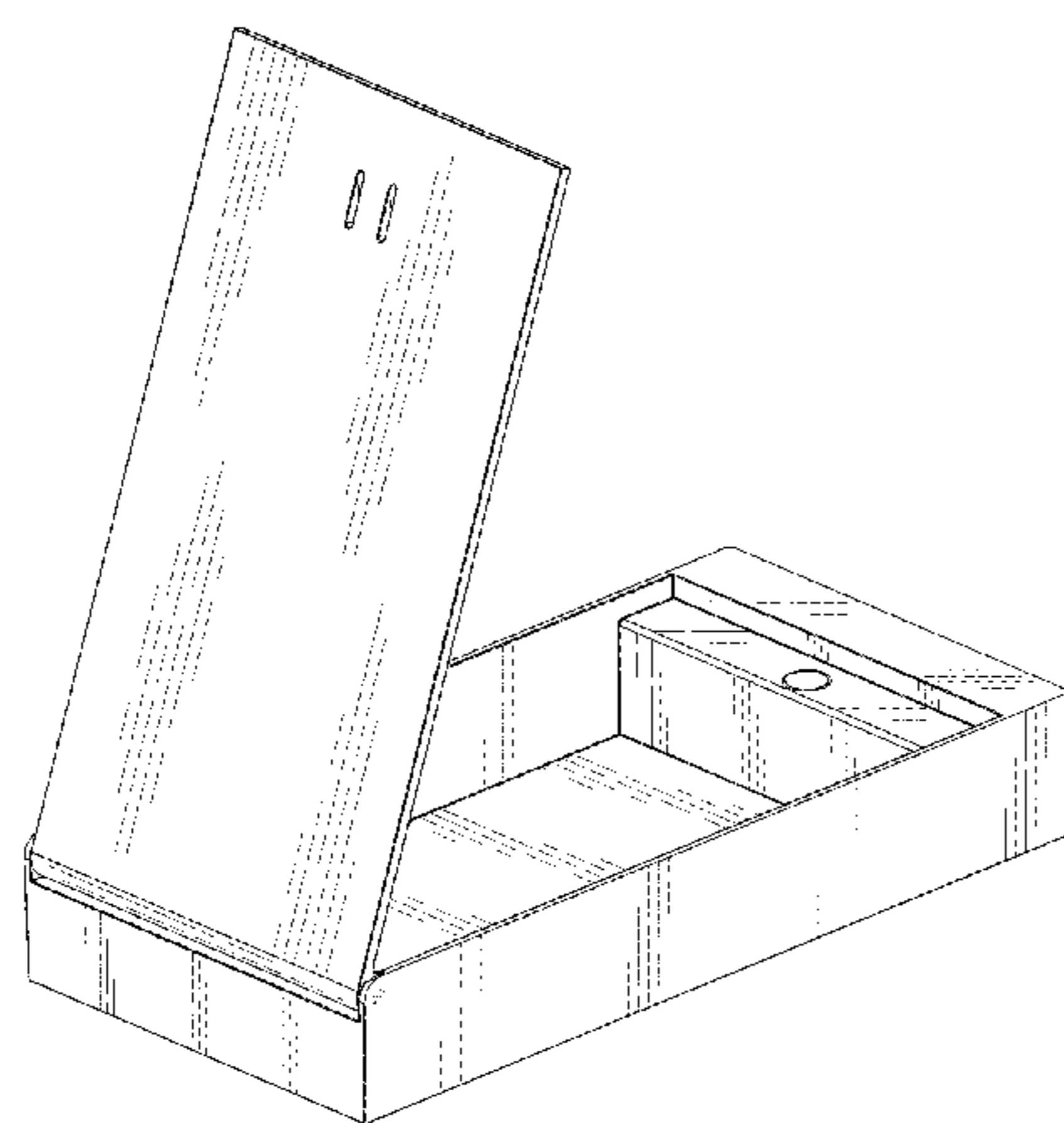
D22,290 S * 3/1893 Burnworth D19/77
D126,124 S * 3/1941 Clemens D9/423

(Continued)

OTHER PUBLICATIONS

Amazon, announced Feb. 22, 2016, [online], [site visited Jan. 17, 2018]. Available from Internet, URL: https://www.amazon.com/Aviditi-M1181K-Easy-Fold-Mailers-Kraft/dp/B00KFK5CYO/ref=cm_cr_ar_p_d_product_top?ie=UTF8.*

(Continued)



Primary Examiner — Barbara Fox

Assistant Examiner — Mehri F Bajoul

(74) *Attorney, Agent, or Firm* — Morgan, Lewis & Bockius LLP

(57) **CLAIM**

The ornamental design for an equipment box, as shown and described.

DESCRIPTION

FIG. 1 is a rear perspective view of an equipment box showing my new design in an open configuration;

FIG. 2 is a front perspective view of the equipment box shown in FIG. 1;

FIG. 3 is right-side elevational view of the equipment box shown in FIG. 1;

FIG. 4 is a left-side elevational view of the equipment box shown in FIG. 1;

FIG. 5 is a rear elevational view of the equipment box shown in FIG. 1;

FIG. 6 is a front elevational view of the equipment box shown in FIG. 1;

FIG. 7 is a top plan view of the equipment box shown in FIG. 1;

FIG. 8 is a bottom plan view of the equipment box shown in FIG. 1;

FIG. 9 is a rear perspective view of the equipment box of FIG. 1 shown in a closed configuration;

FIG. 10 is a rear perspective view of the equipment box shown in FIG. 9;

FIG. 11 is right-side elevational view of the equipment box shown in FIG. 9;

FIG. 12 is a left-side elevational view of the equipment box shown in FIG. 9;

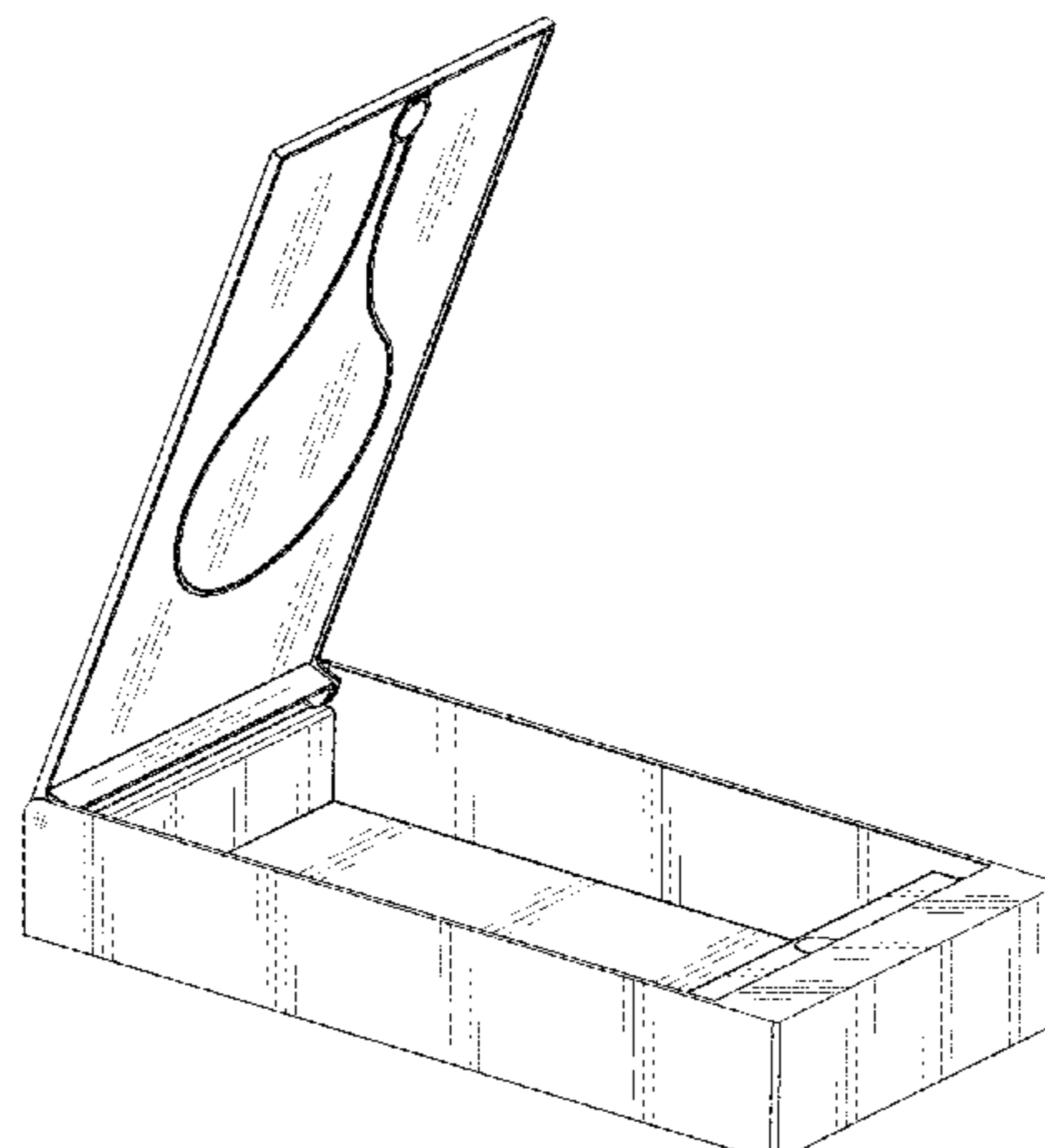
FIG. 13 is a rear elevational view of the equipment box shown in FIG. 9;

FIG. 14 is a front elevational view of the equipment box shown in FIG. 9;

FIG. 15 is a top plan view of the equipment box shown in FIG. 9; and,

FIG. 16 is a bottom plan view of the equipment box shown in FIG. 9.

(Continued)



The broken lines shown in the drawings depict portions of the equipment box that form no part of the claimed design.

1 Claim, 16 Drawing Sheets

(58) **Field of Classification Search**

USPC D9/546, 549-552, 564, 571, 574, 575,
D9/696, 901, 902, 904; D99/28-35;
D7/554.4; 229/122.32

CPC B65D 5/0281; B65D 5/061; B65D 5/0015;
B65B 43/00

See application file for complete search history.

(56)

References Cited

U.S. PATENT DOCUMENTS

D281,920	S	*	12/1985	Lacka	D99/28
D291,024	S	*	7/1987	Kikuchi	D6/634
D307,504	S	*	4/1990	Silcox	D9/415
D318,419	S	*	7/1991	Jensen	D9/418
D339,059	S	*	9/1993	Koehler	D9/418

D366,210	S	*	1/1996	McConner	D9/423
D369,295	S	*	4/1996	Kobari	D9/423
D385,781	S	*	11/1997	Levine	D9/423
D395,391	S	*	6/1998	Landis	D9/415
D413,726	S	*	9/1999	Krajnik	D3/254
D420,586	S	*	2/2000	MacEachern	D9/420
D433,630	S	*	11/2000	Lubineau-Bigot	D9/416
D591,951	S	*	5/2009	Peters	D3/295
D613,605	S	*	4/2010	Pozzo Di Borgo	D9/517
D620,352	S	*	7/2010	Liipola	D9/432
D622,590	S	*	8/2010	Tayama	D9/432
D624,400	S	*	9/2010	Wichowski	D9/420
D669,352	S	*	10/2012	Paslawski	D9/423
D671,705	S	*	11/2012	Edmondson	D99/28
D707,549	S	*	6/2014	McAdam	D9/420
D723,618	S	*	3/2015	Rowe	D19/86

OTHER PUBLICATIONS

Tineye, Dec. 8, 2015announced Sep. 2014, [online], [site visited Jan. 17, 2018]. Available from Internet, URL: https://tineye.com/search/4fc12a18cda3f6fd3205111a428e5f1403ce153e/?extension_ver=chrome-1.2.0.*

* cited by examiner

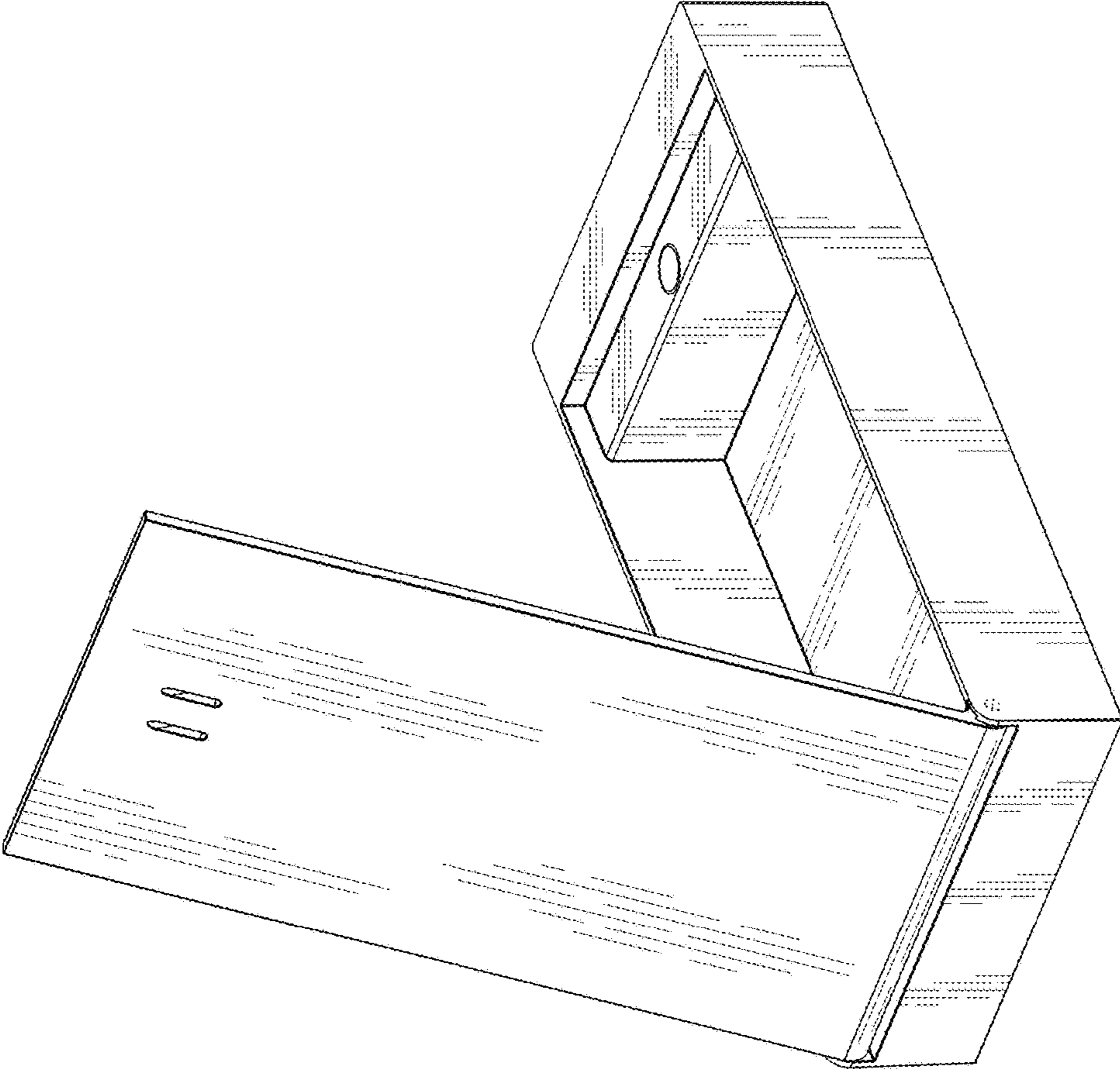


FIG. 1

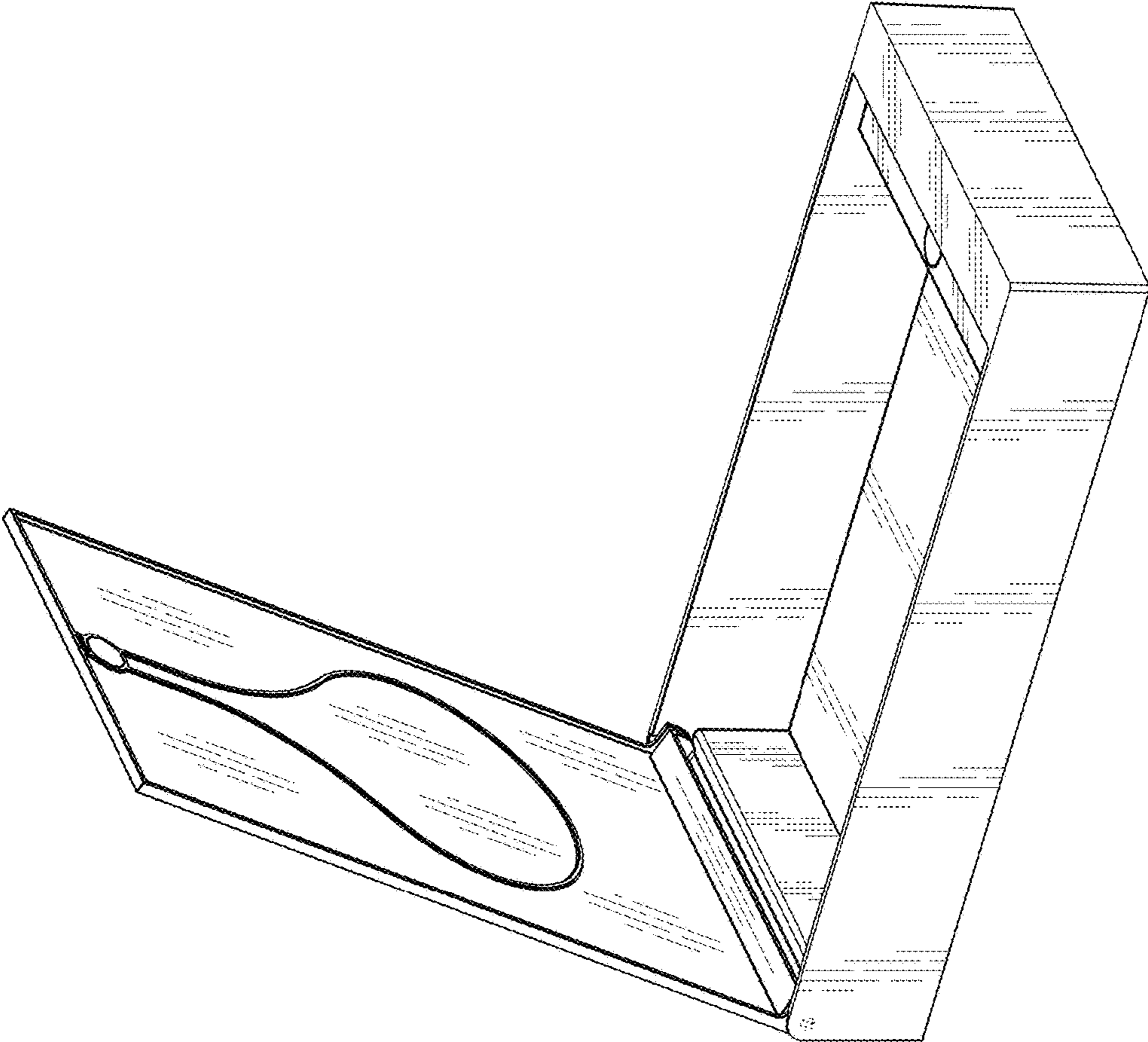


FIG. 2

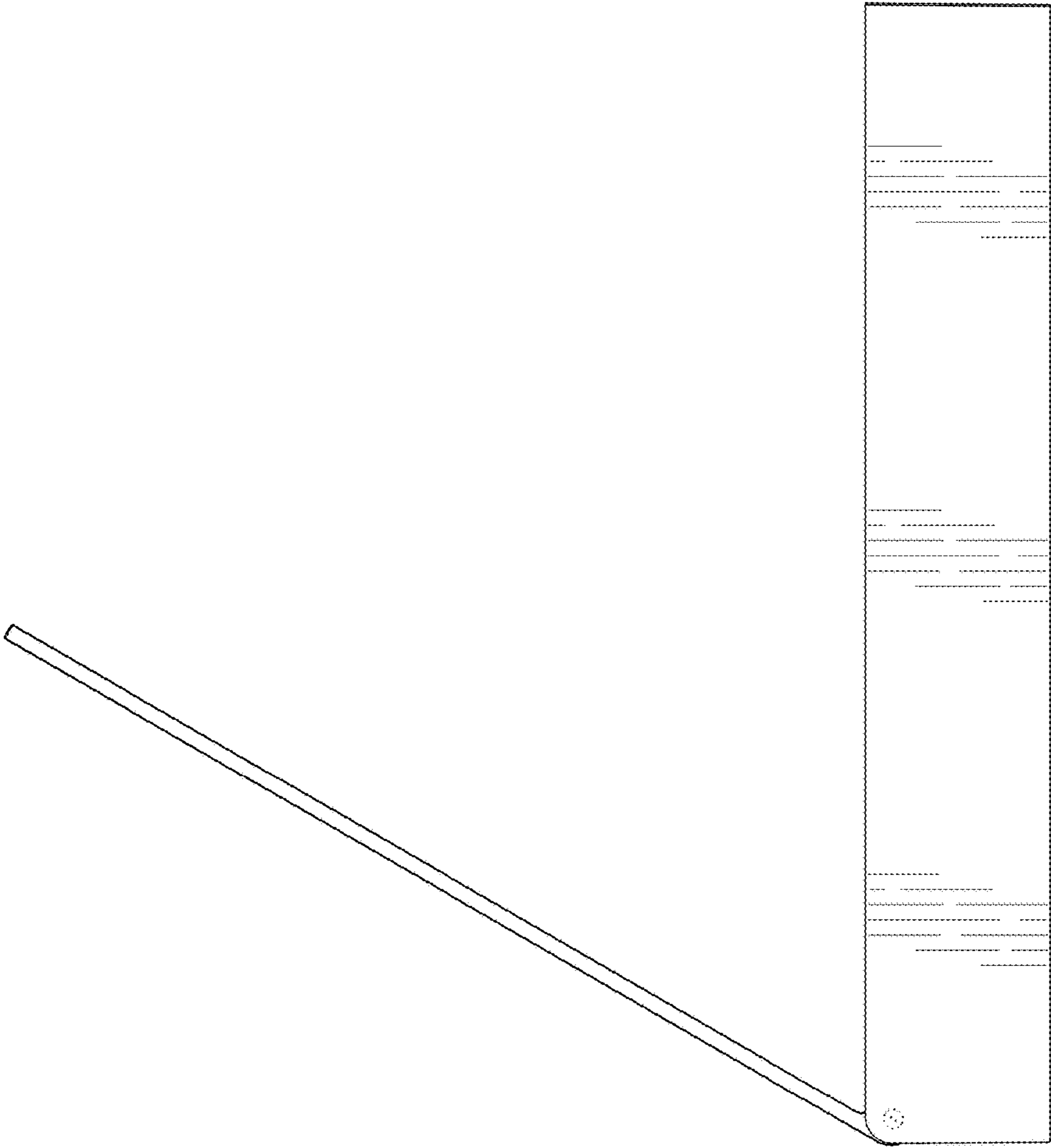


FIG. 3

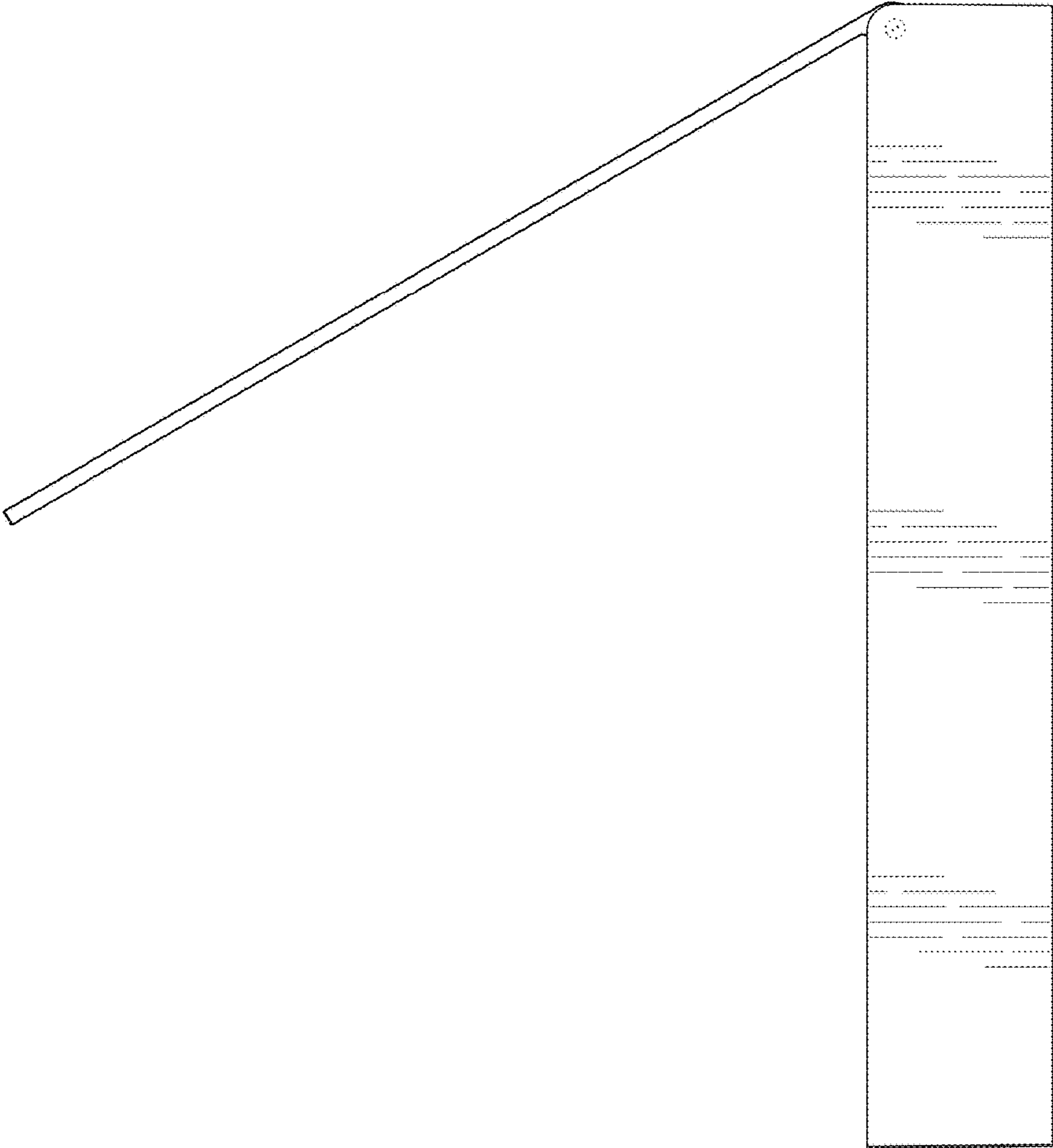


FIG. 4

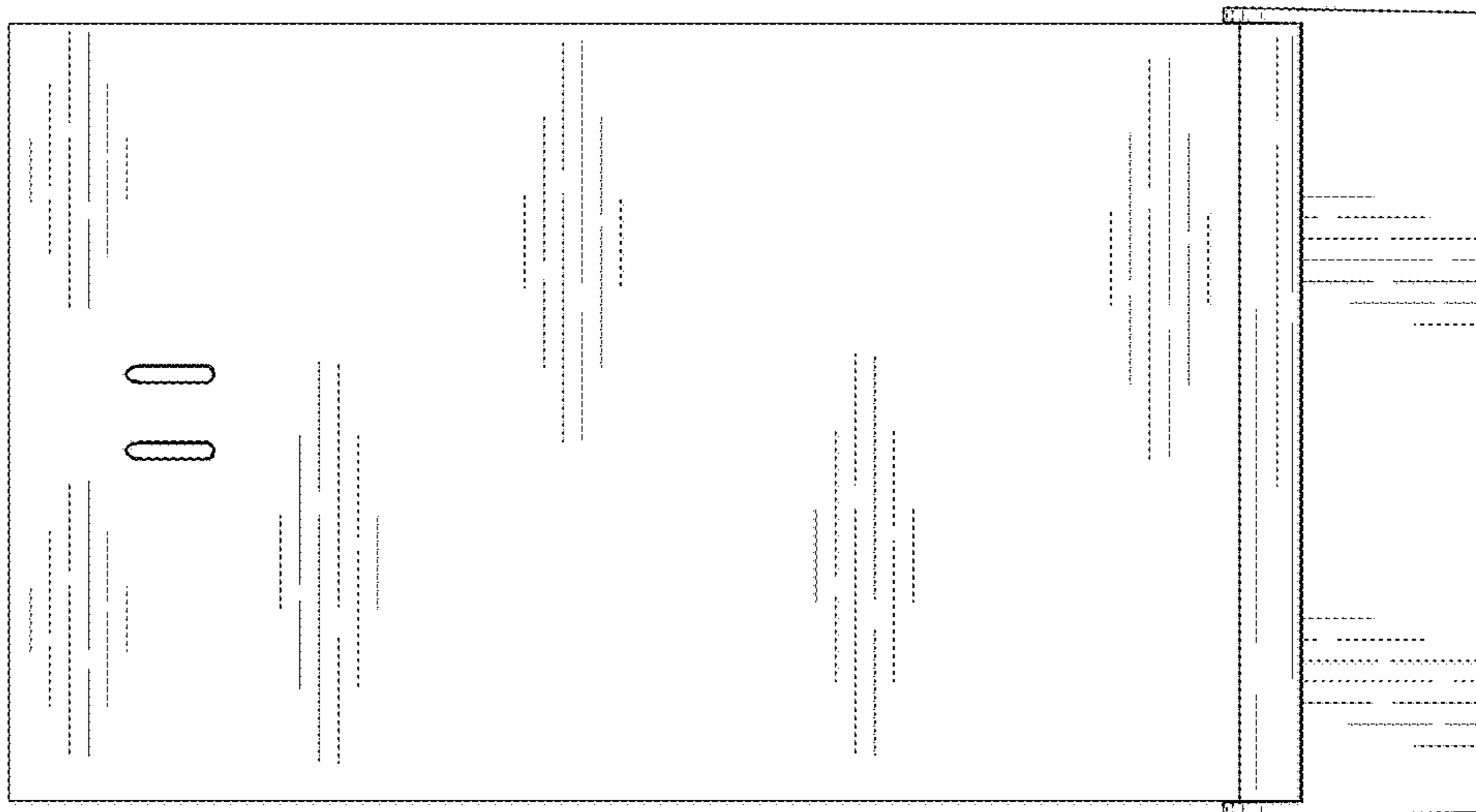


FIG. 5

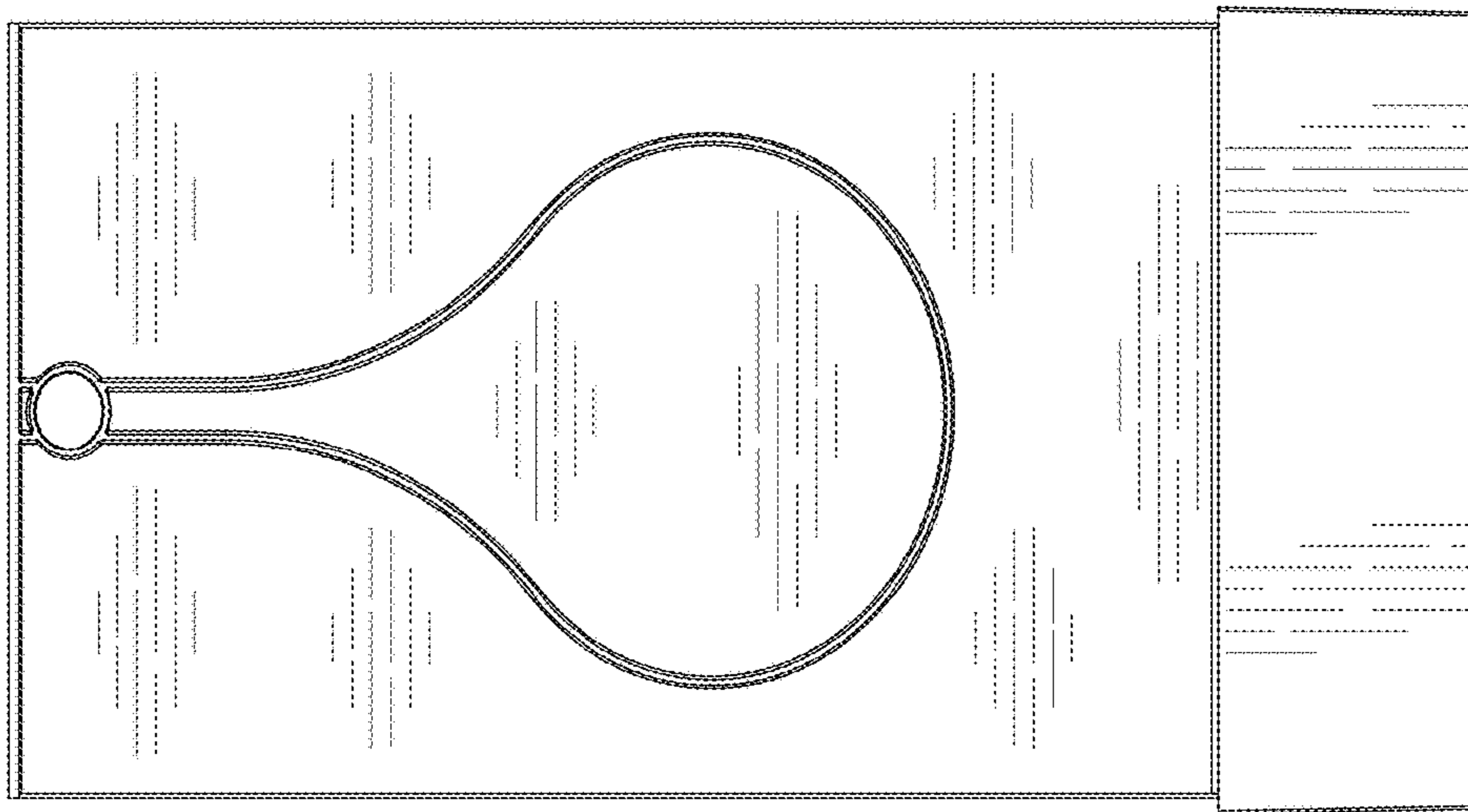


FIG. 6

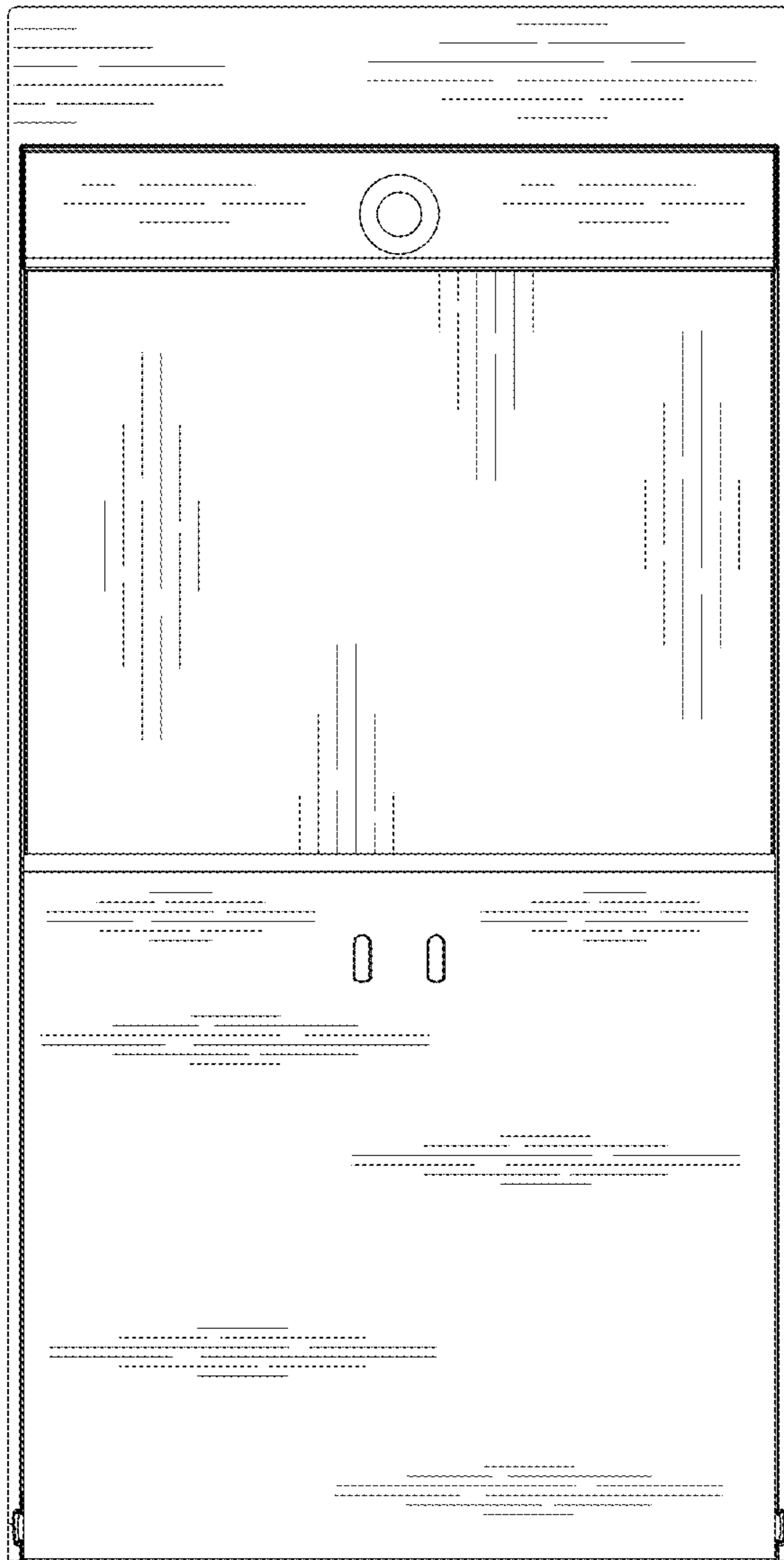


FIG. 7

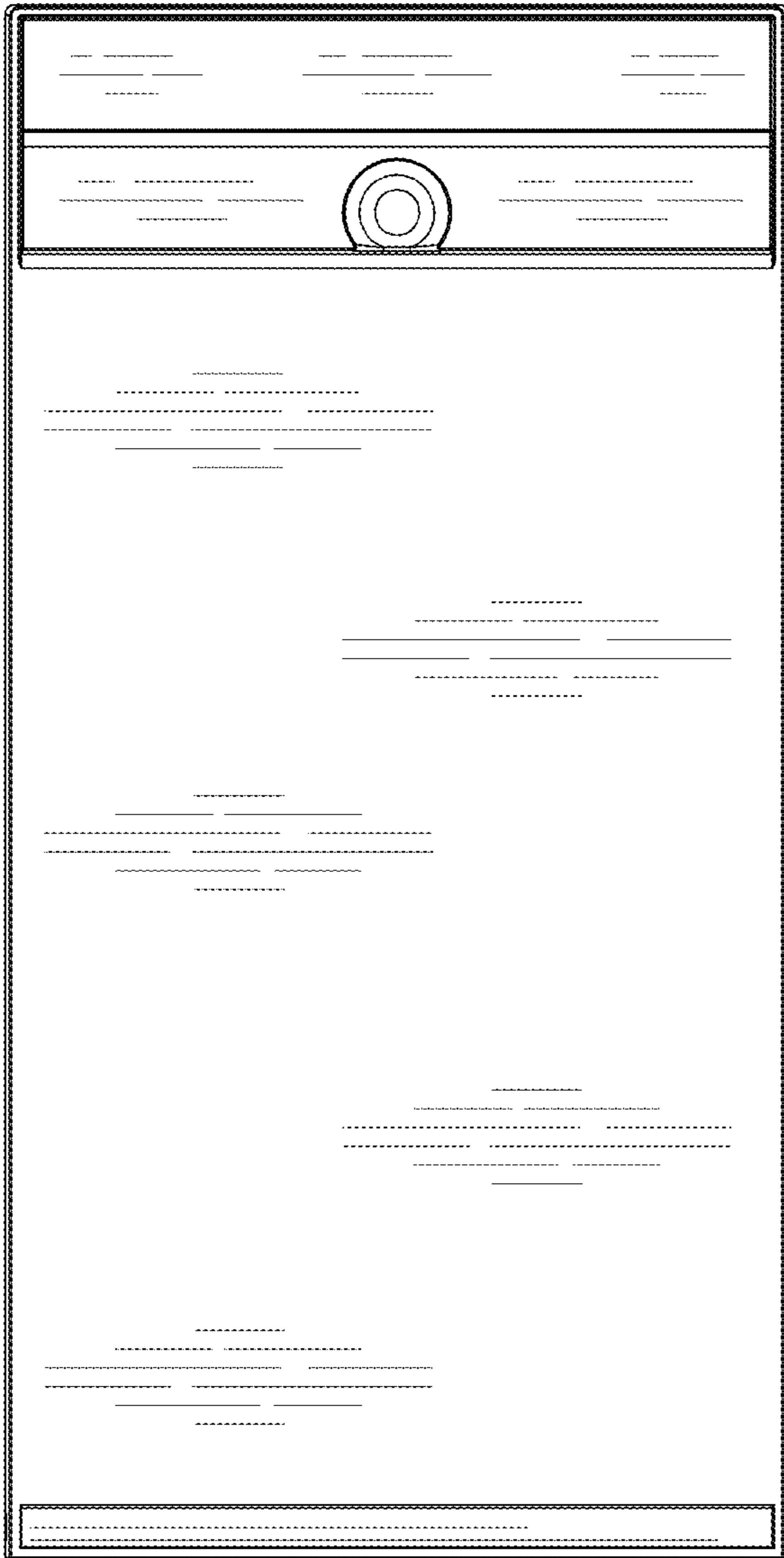


FIG. 8

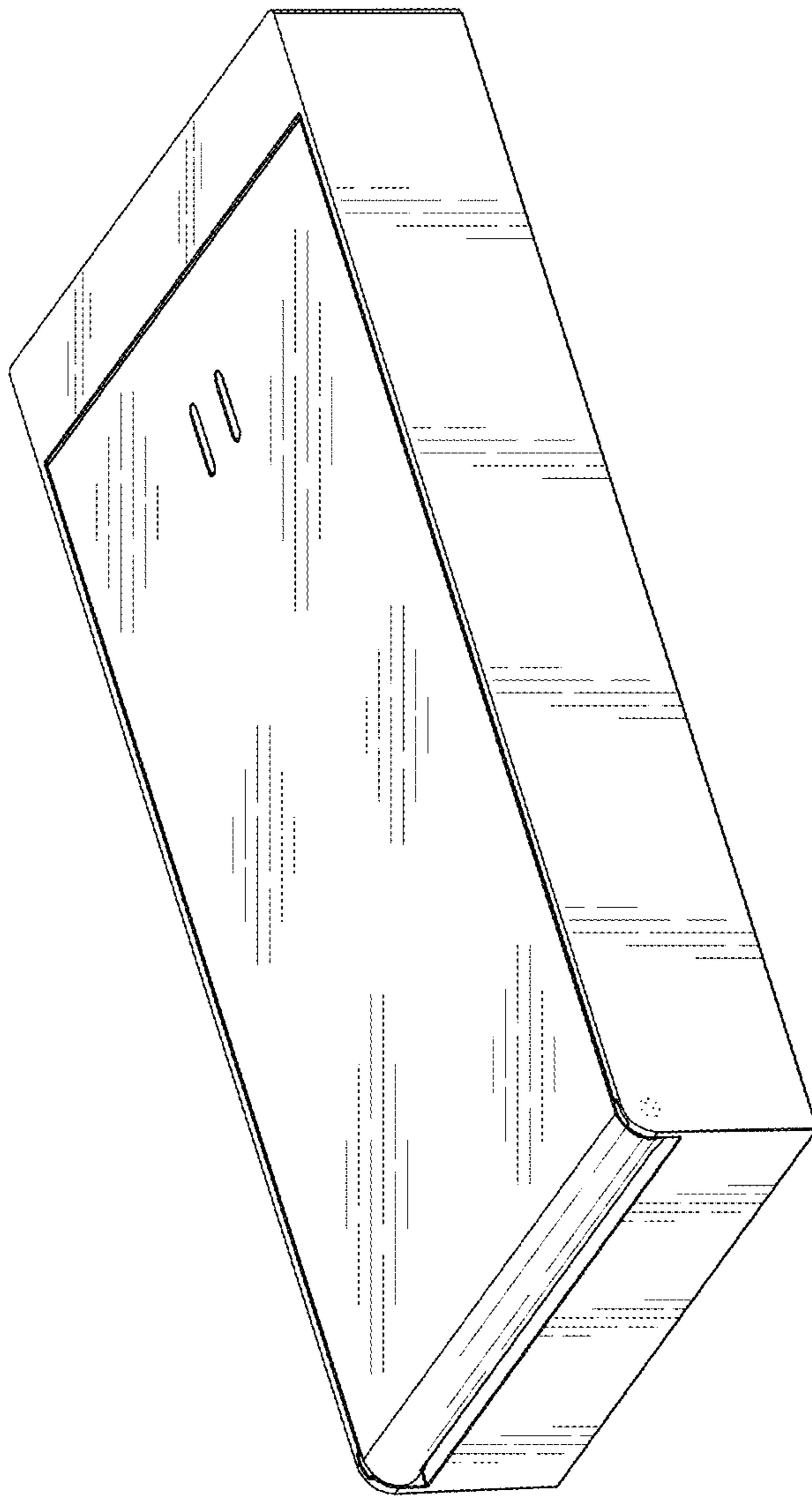


FIG. 9

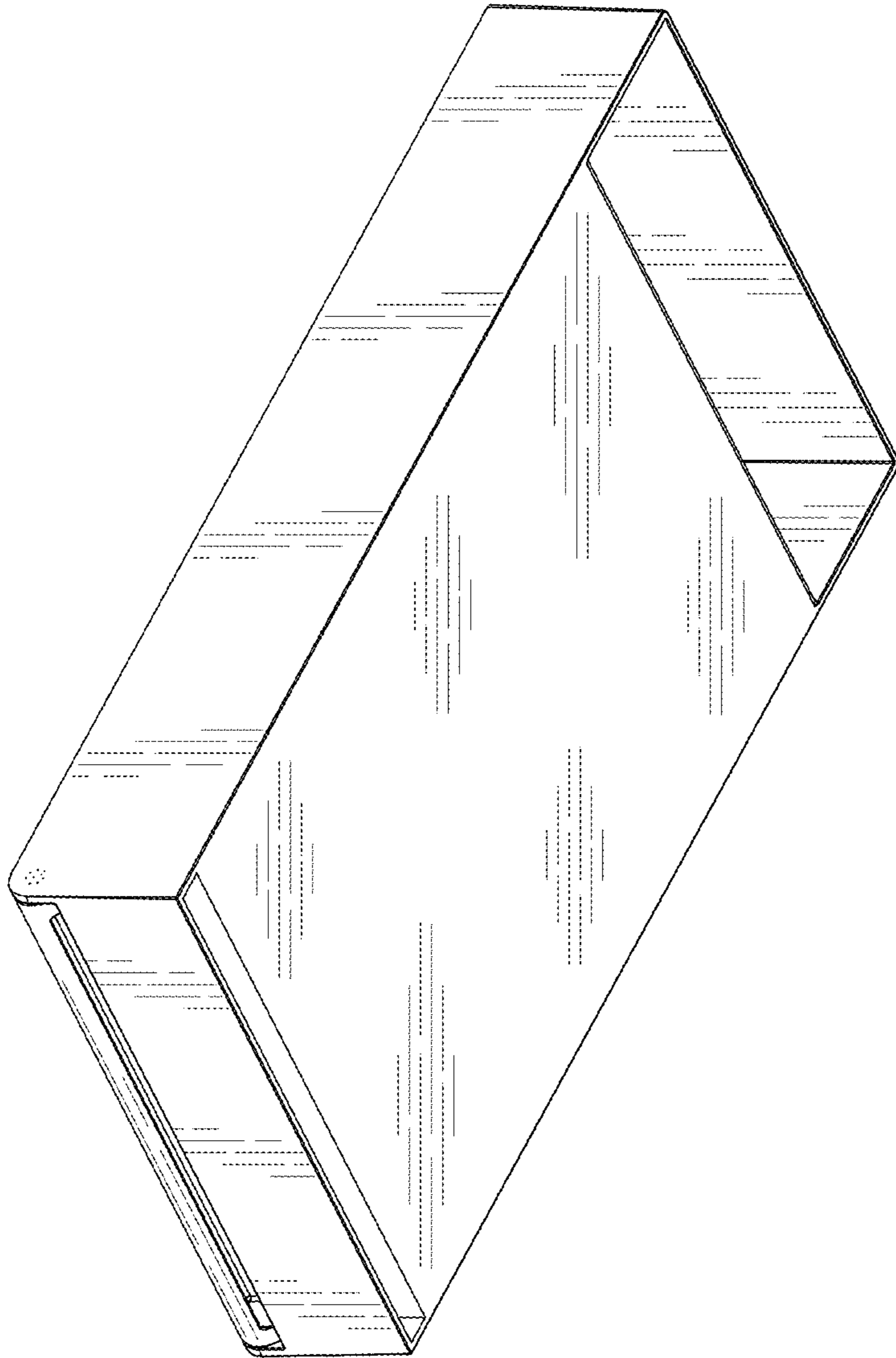


FIG. 10

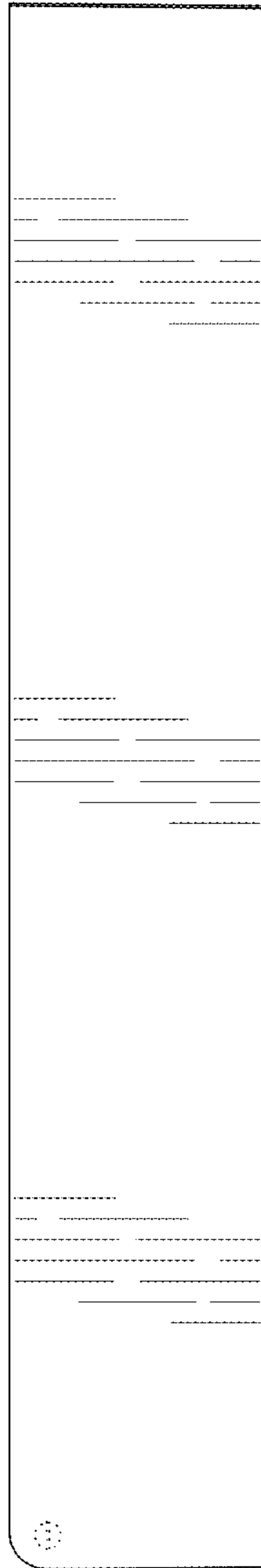


FIG. 11

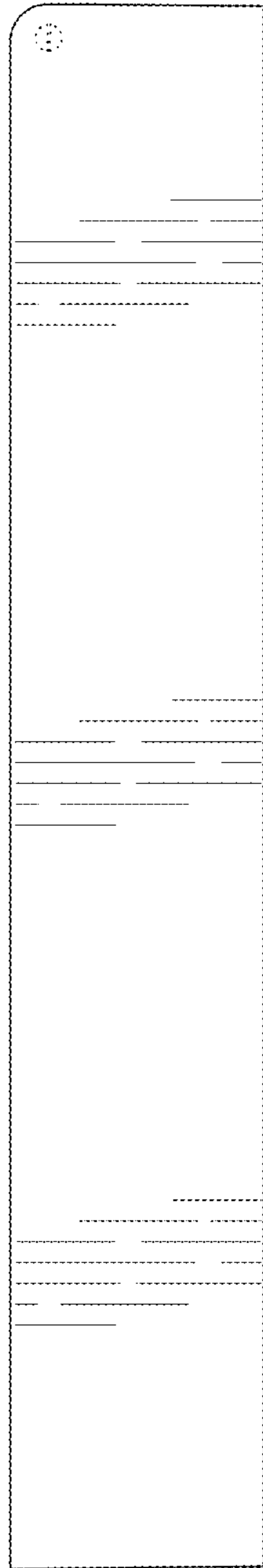


FIG. 12

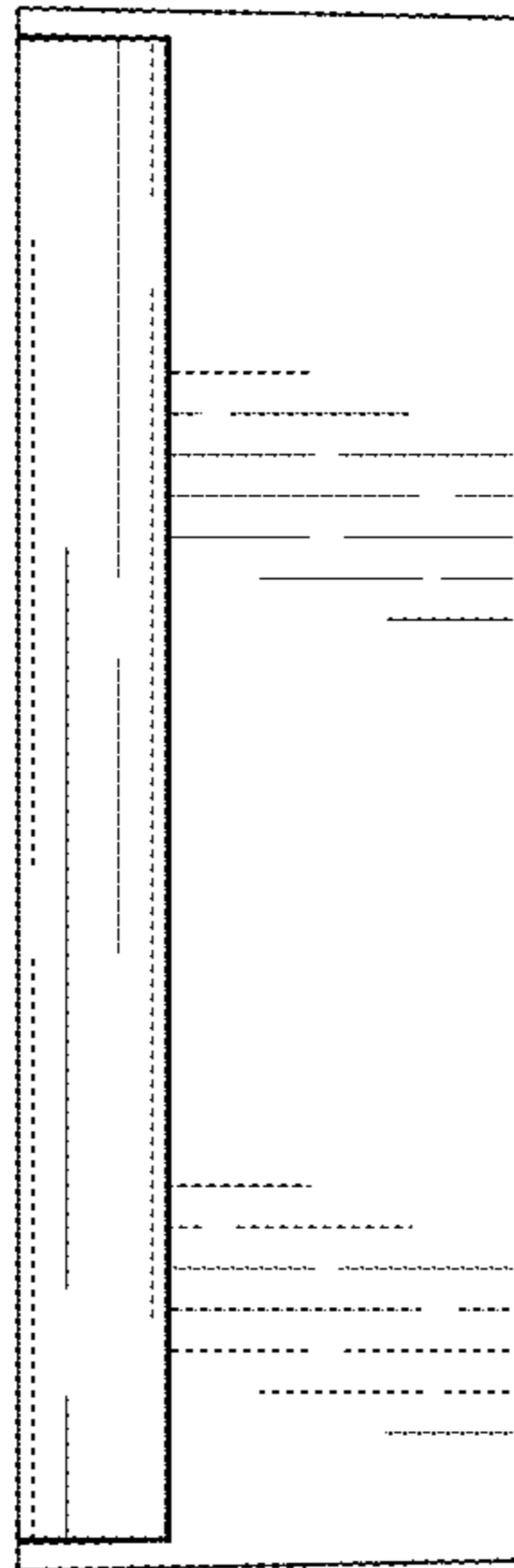


FIG. 13

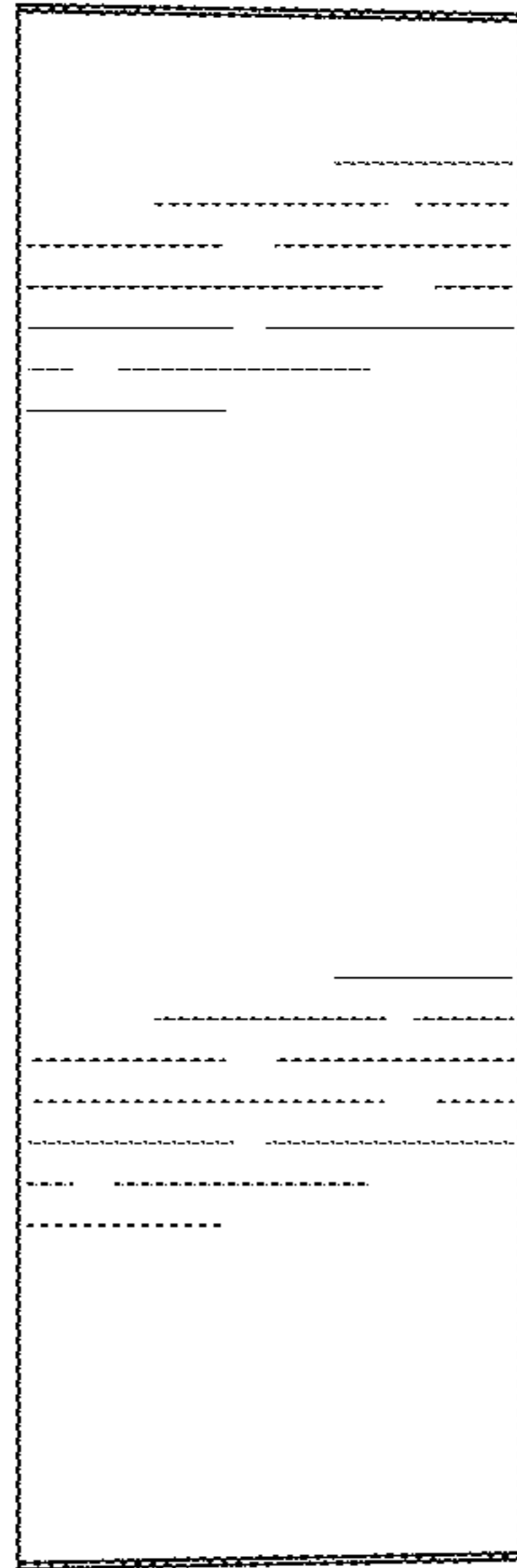


FIG. 14

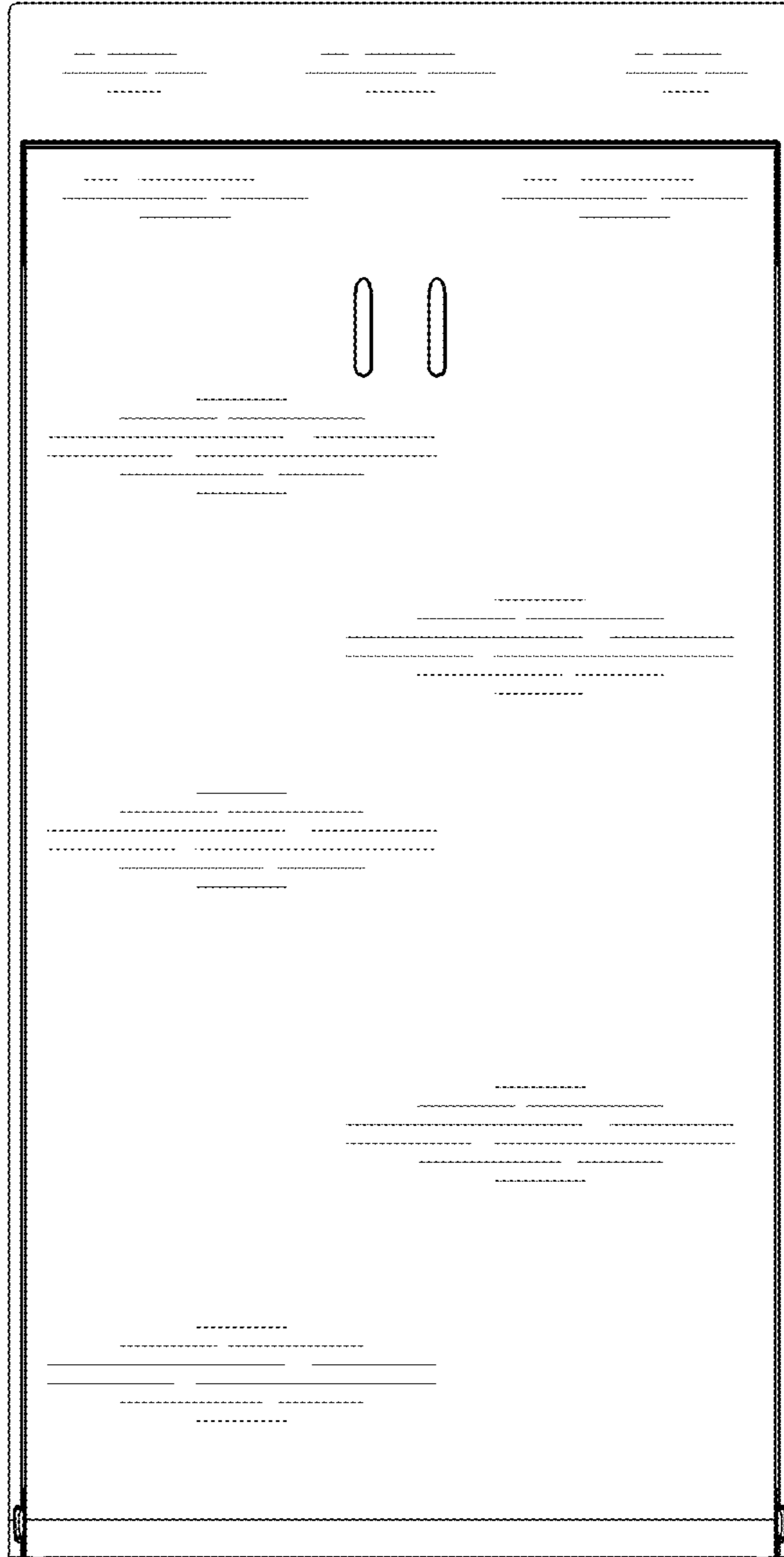


FIG. 15

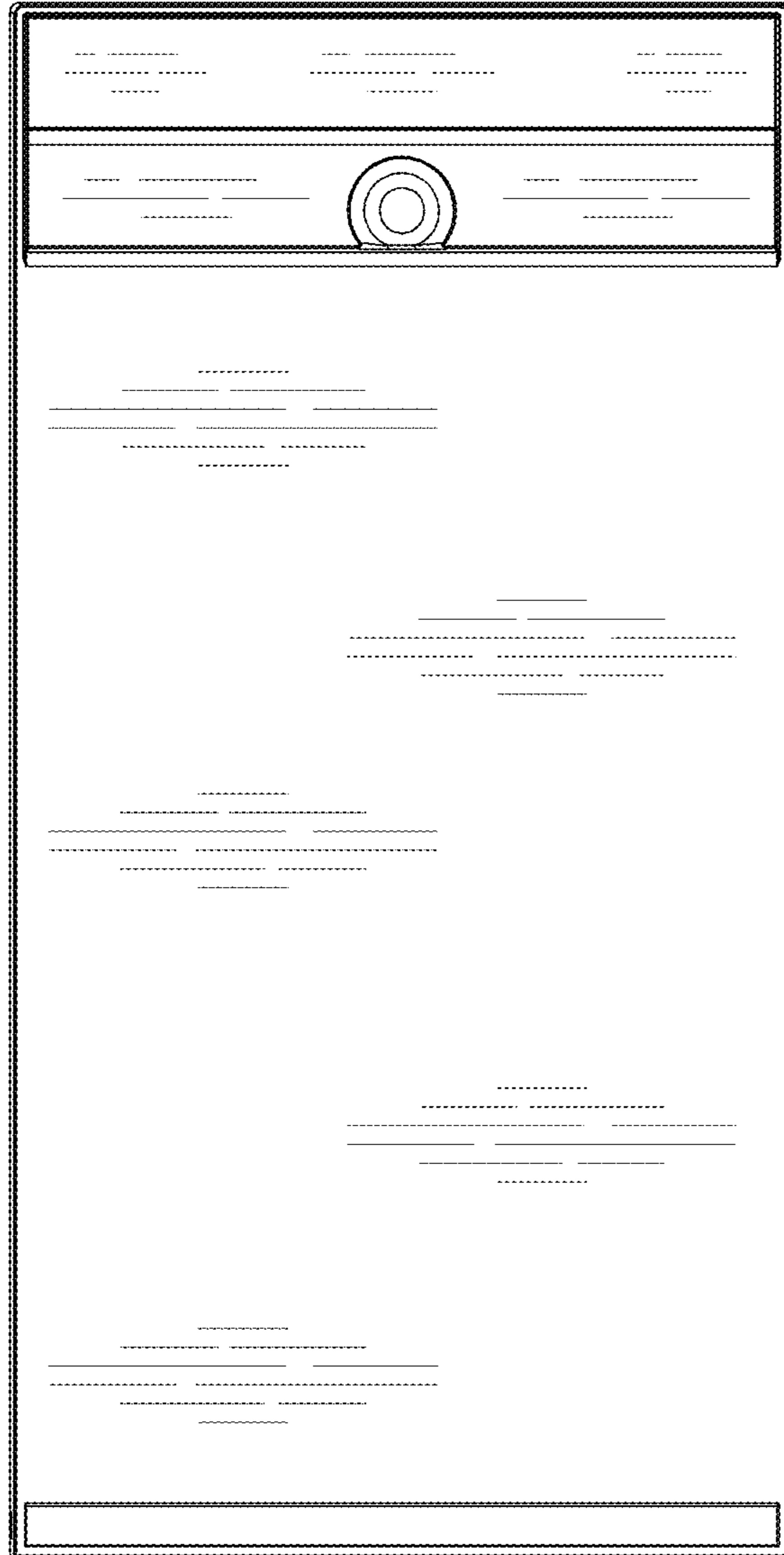


FIG. 16