



US00D819437S

(12) **United States Design Patent** (10) **Patent No.:** **US D819,437 S**  
**Baker et al.** (45) **Date of Patent:** **\*\* Jun. 5, 2018**

(54) **PACKAGING FOR BATTERIES**

FOREIGN PATENT DOCUMENTS

(71) Applicant: **DURACELL U.S. OPERATIONS, INC.**, Wilmington, DE (US)

CH 687196 A5 10/1996  
EP 0885151 B1 11/1999  
WO WO-97/05038 A1 2/1997

(72) Inventors: **Kathleen Baker**, Bethel, CT (US);  
**Paul Laforteza**, Pleasantville, NY (US); **Tim Augustine**, Pleasantville, NY (US); **Michael Laforteza**, Pleasantville, NY (US)

OTHER PUBLICATIONS

Ecobliss Launches Easy to Open Blister Pack, downloaded from the Internet at: <<http://print-packagingblog.com/ecobliss-launches-easy-to-open-blister-pack/>> (posted Sep. 9, 2013).

(73) Assignee: **DURACELL U.S. OPERATIONS, INC.**, Wilmington, DE (US)

(Continued)

(\*\*) Term: **15 Years**

*Primary Examiner* — Lauren R Calve

(21) Appl. No.: **29/582,649**

(74) *Attorney, Agent, or Firm* — Marshall, Gerstein & Borun LLP

(22) Filed: **Oct. 28, 2016**

(51) **LOC (11) Cl.** ..... **09-03**

(57) **CLAIM**

(52) **U.S. Cl.**  
USPC ..... **D9/415**

The design for packaging for batteries, as shown and described.

(58) **Field of Classification Search**  
USPC ..... D9/415, 418, 424, 732  
CPC .... B65D 75/327; B65D 75/36; B65D 75/366;  
B65D 75/367; B65D 75/32; B65D 2575/3245; B65D 75/326; B65D 2575/366; B65D 2585/88; B65D 75/322; B65D 77/2032; B65D 5/4204; B65D 75/22; B65D 77/0413; B65D 5/4208; B65D 77/02; B65D 25/22; B65D 75/5833; B65D 85/00; B65D 2543/00194; B65D 2301/20; B65D 2575/3218; B65D 73/0007; B65D 73/0042

**DESCRIPTION**

See application file for complete search history.

FIG. 1 is a top perspective view of a packaging for batteries showing our new ornamental design. FIG. 2 is a front view thereof; FIG. 3 is a back view thereof; FIG. 4 is a right-side view thereof; FIG. 5 is a left-side view thereof; FIG. 6 is a top view thereof; and, FIG. 7 is a bottom view thereof.

(56) **References Cited**

U.S. PATENT DOCUMENTS

3,303,930 A 2/1967 Hyland  
3,394,801 A 7/1968 Hanson  
3,635,331 A 1/1972 Zucker  
D302,662 S \* 8/1989 Calcerano ..... D9/415  
4,958,731 A 9/1990 Calcerano

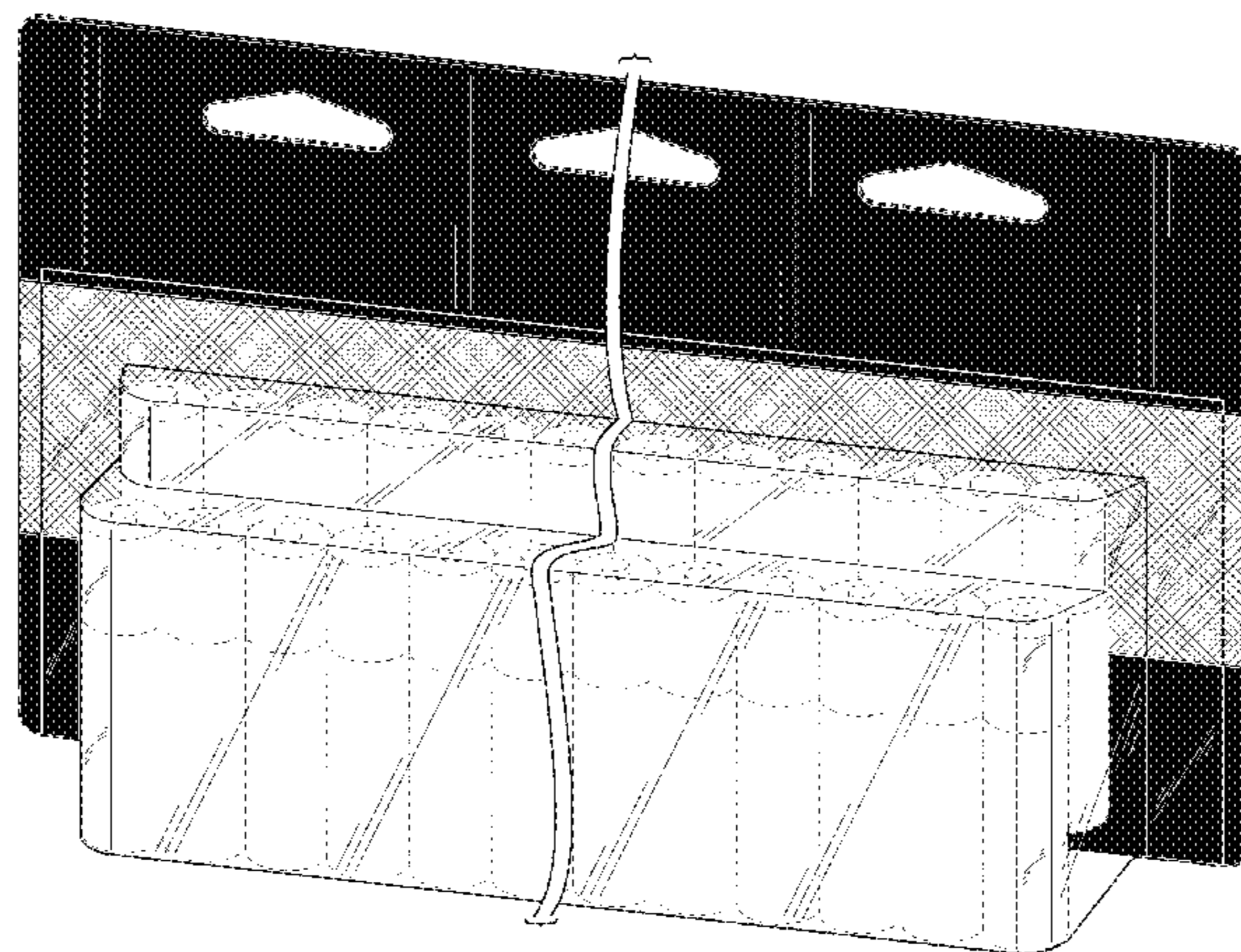
The broken lines shown represent unclaimed subject matter and form no part of the claimed design.

The claim is shown with a symbolic break in its width. The appearance of any portion of the article between the break lines forms no part of the claimed design.

The figures are lined for the colors black and copper, wherein black is represented by a solid fill and copper is represented by cross-hatching.

(Continued)

**1 Claim, 5 Drawing Sheets**



(56)

References Cited

U.S. PATENT DOCUMENTS

5,184,724 A 2/1993 Mayled  
 5,297,679 A 3/1994 Rondone et al.  
 5,839,583 A 11/1998 Pope et al.  
 D427,523 S 7/2000 Calcerano  
 D432,411 S 10/2000 Pirro et al.  
 D433,936 S 11/2000 Pirro et al.  
 6,155,414 A 12/2000 Vaessen  
 D449,779 S 10/2001 Otto  
 D451,015 S \* 11/2001 Otto ..... D9/415  
 D456,249 S 4/2002 Pearson et al.  
 D456,252 S 4/2002 Weil  
 6,439,390 B1 8/2002 Kumakura et al.  
 D462,615 S 9/2002 Weil  
 D479,125 S \* 9/2003 Kumakura ..... D9/415  
 D499,962 S \* 12/2004 Lee ..... D9/722  
 D508,398 S \* 8/2005 Lee ..... D9/415  
 D508,844 S 8/2005 Calcerano  
 D510,261 S 10/2005 Calcerano  
 D524,654 S \* 7/2006 Harada ..... D9/457  
 D577,992 S \* 10/2008 Sutker ..... D9/418  
 D581,264 S 11/2008 Mapes, Jr.  
 D584,138 S 1/2009 Laforteza et al.  
 7,571,813 B2 \* 8/2009 Weisskopf ..... B65D 75/368  
 206/470  
 D651,509 S 1/2012 Methe et al.  
 D662,815 S 7/2012 Methe et al.  
 8,430,244 B2 4/2013 Kennedy et al.  
 D694,101 S 11/2013 Radomyselski et al.  
 D712,280 S 9/2014 Radomyselski et al.  
 D751,387 S 3/2016 Markle et al.  
 2001/0052478 A1 12/2001 Casanova et al.  
 2003/0217949 A1 11/2003 Schamante  
 2006/0065570 A1 \* 3/2006 Martin ..... B65D 75/366  
 206/703

2006/0096887 A1 \* 5/2006 Morrison ..... B65D 75/366  
 206/703  
 2006/0207909 A1 9/2006 Tada et al.  
 2006/0283748 A1 12/2006 Dab et al.  
 2007/0170087 A1 \* 7/2007 Narpes, Jr. .... B65D 75/366  
 206/703  
 2007/0273330 A1 11/2007 Beghelli  
 2009/0057184 A1 3/2009 Leaman  
 2012/0031809 A1 2/2012 Methe et al.  
 2012/0037537 A1 \* 2/2012 Schein ..... B25H 3/06  
 206/703  
 2012/0205276 A1 \* 8/2012 Shackford ..... B65D 75/366  
 206/469  
 2012/0222990 A1 9/2012 Fujiwara et al.  
 2014/0209497 A1 7/2014 Jacobus  
 2015/0291331 A1 \* 10/2015 Bradford ..... B65D 75/368  
 206/705  
 2017/0166379 A1 6/2017 Larsen

OTHER PUBLICATIONS

U.S. Appl. No. 15/214,897, Reclosable Battery Package, filed Jul. 20, 2016.  
 U.S. Appl. No. 15/784,018, Battery Package, filed Oct. 13, 2017.  
 U.S. Appl. No. 29/582,662, Packaging for Batteries, filed Oct. 28, 2016.  
 U.S. Appl. No. 29/582,673, Packaging for Batteries, filed Oct. 28, 2016.  
 U.S. Appl. No. 29/582,680, Packaging for Batteries, filed Oct. 28, 2016.  
 U.S. Appl. No. 29/622,156, Battery Packaging, filed Oct. 13, 2017.  
 U.S. Appl. No. 29/622,157, Battery Packaging, filed Oct. 13, 2017.

\* cited by examiner



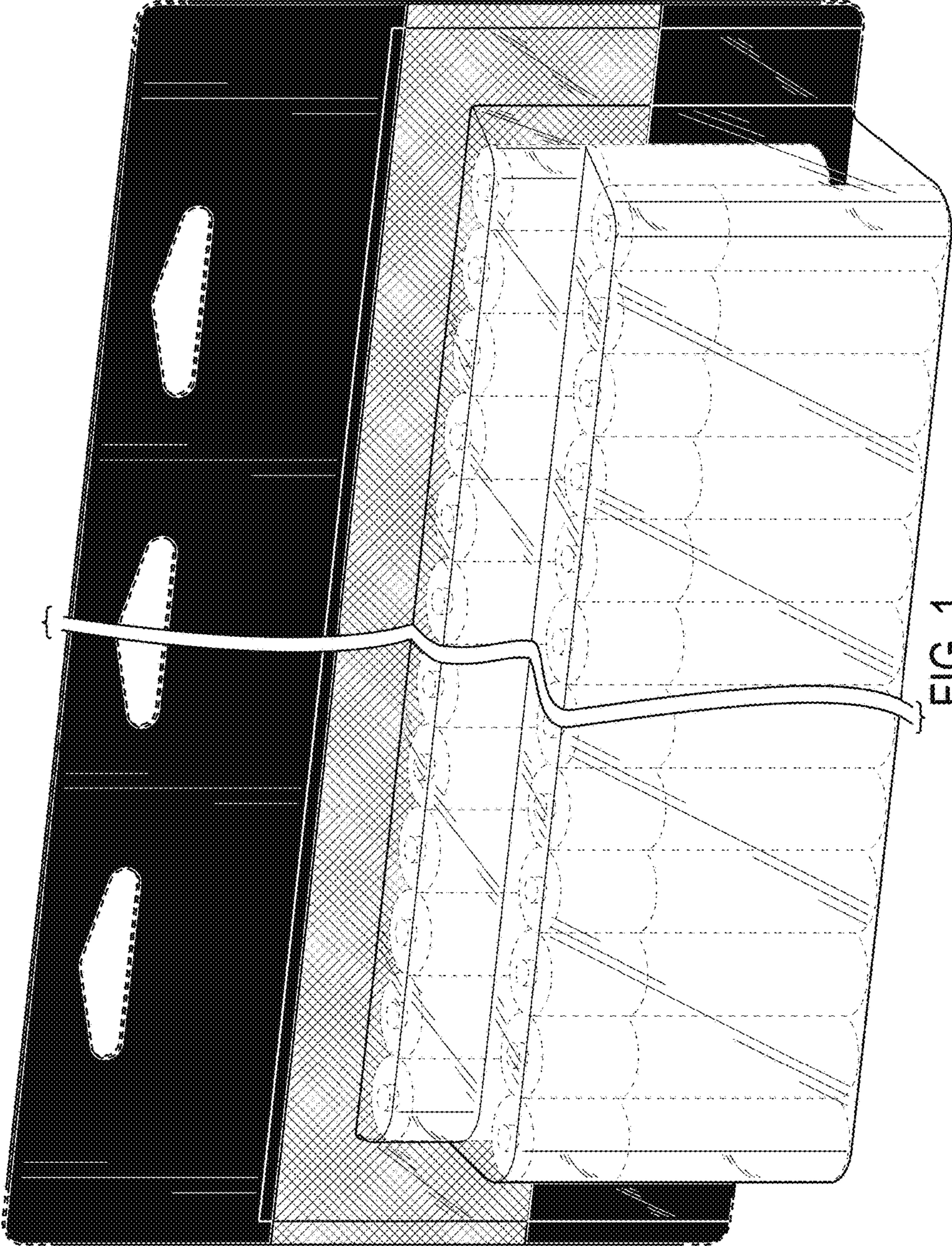


FIG. 1



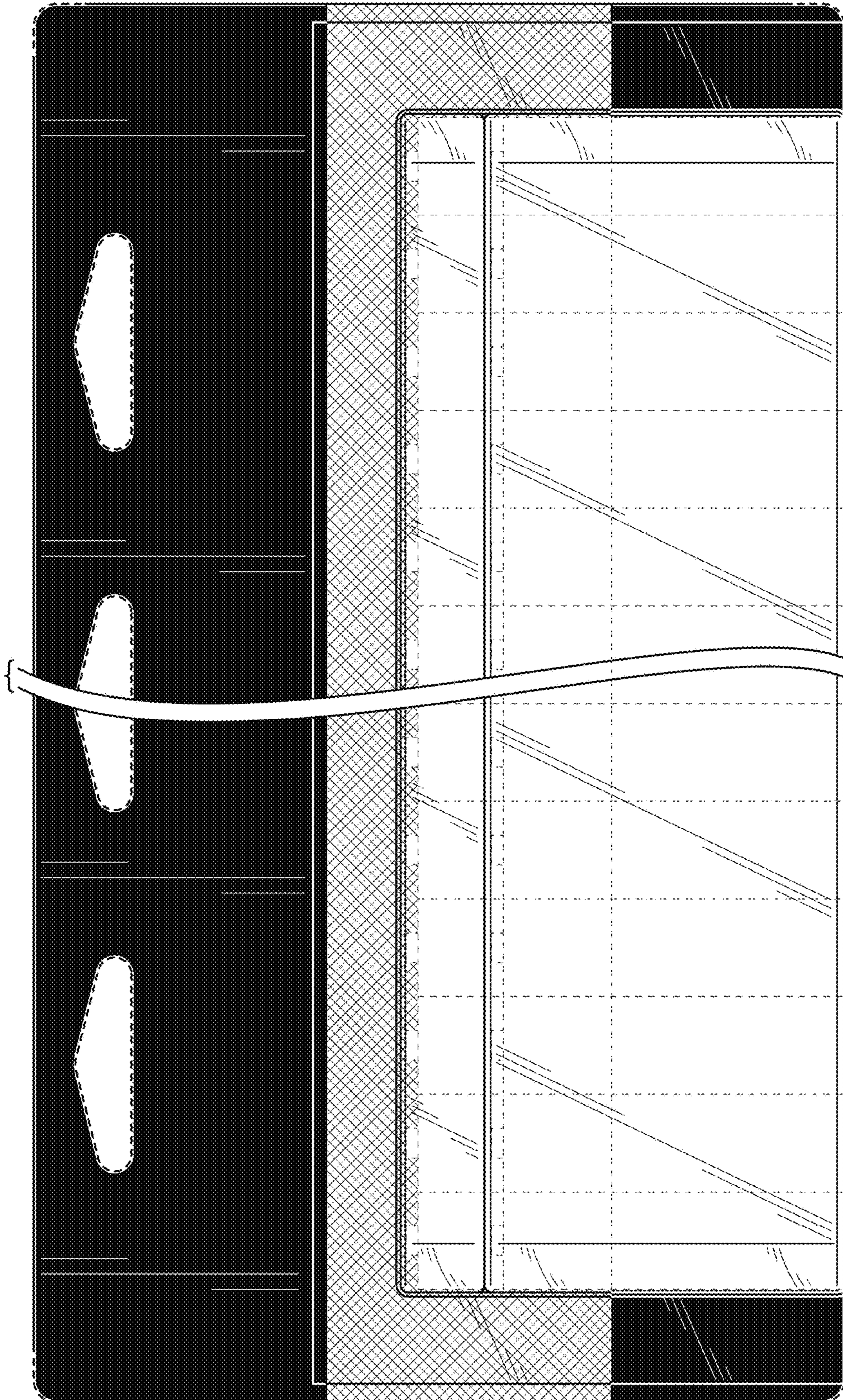


FIG. 2

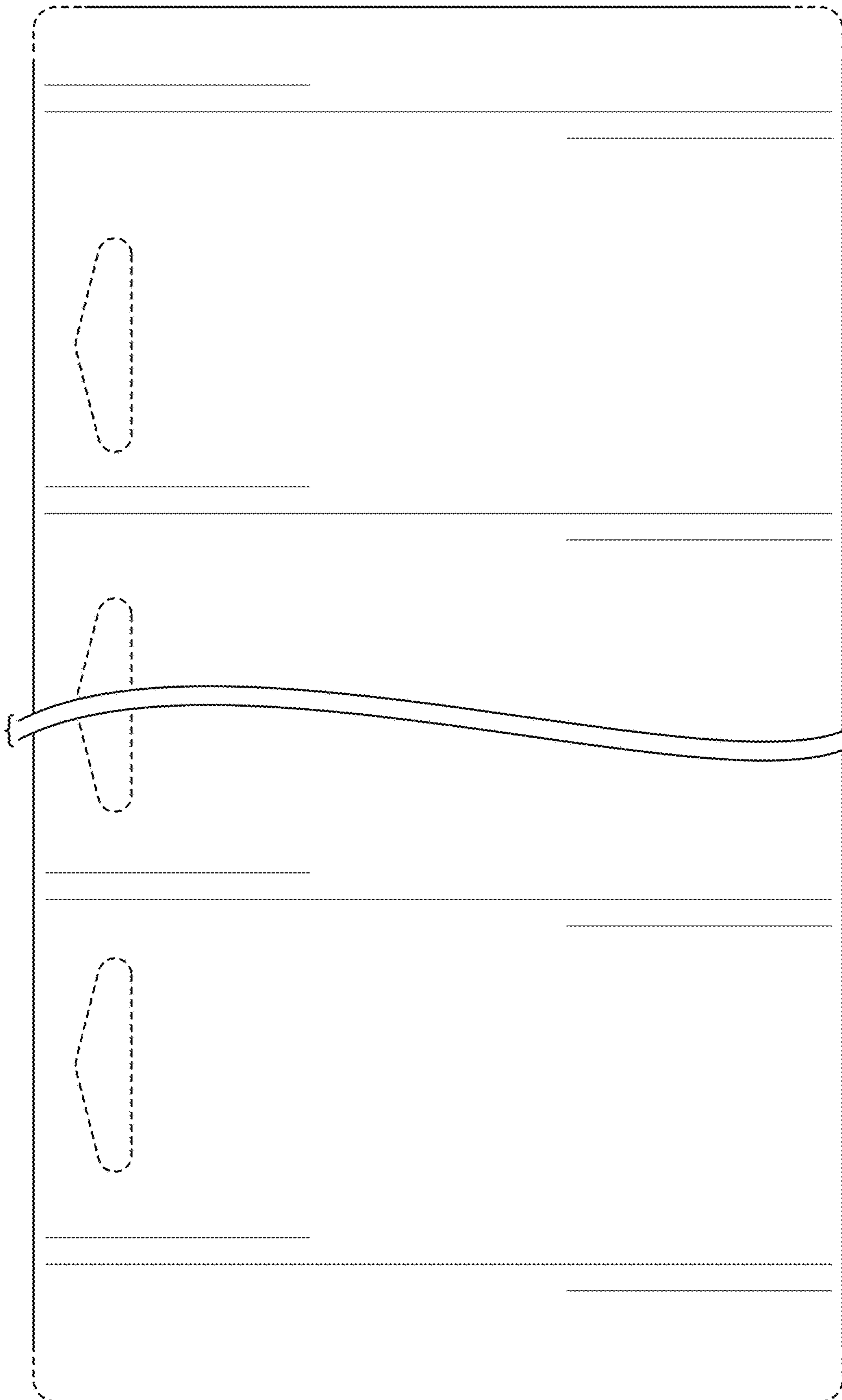


FIG. 3

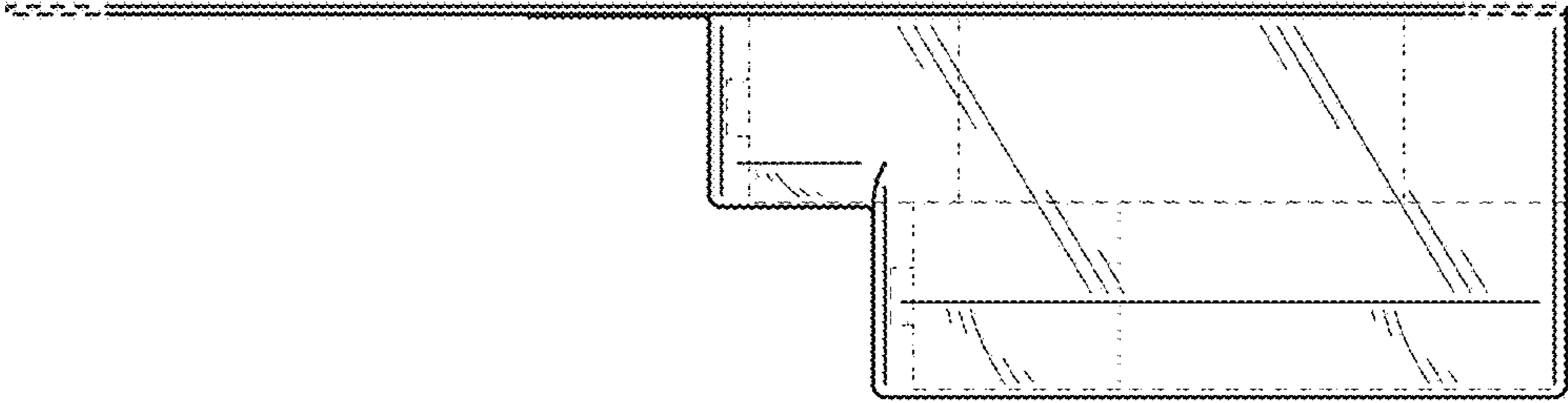


FIG. 5

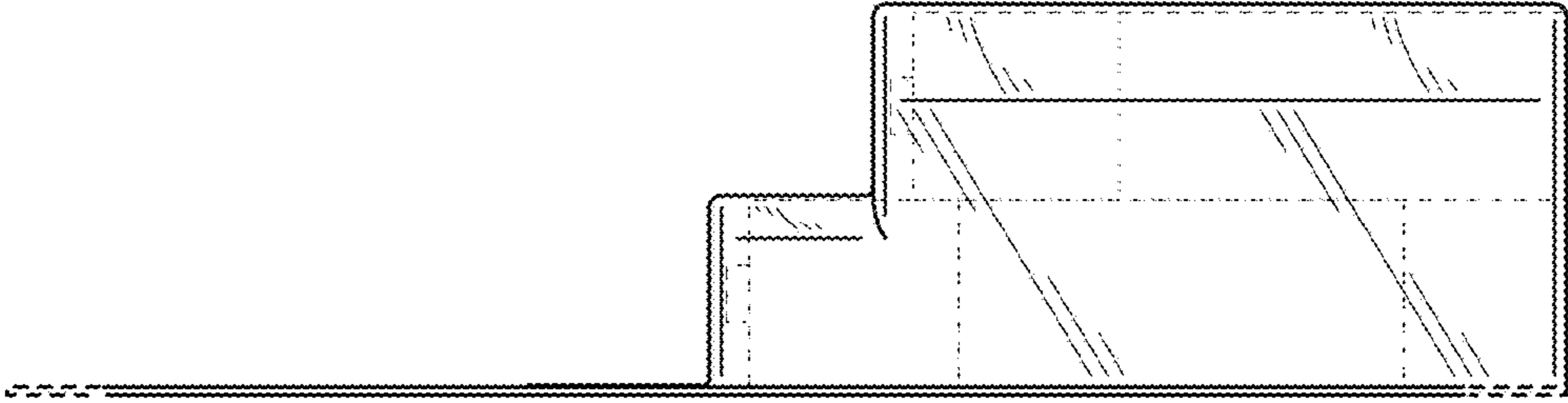


FIG. 4



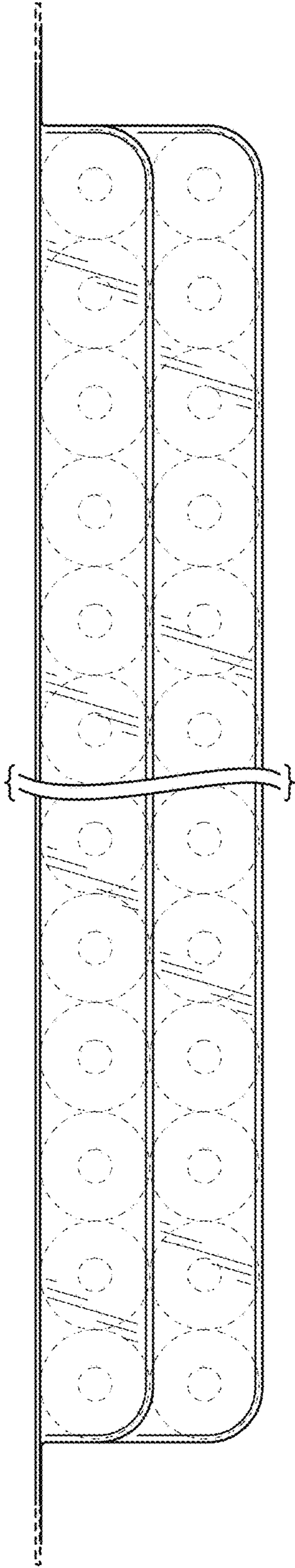


FIG. 6

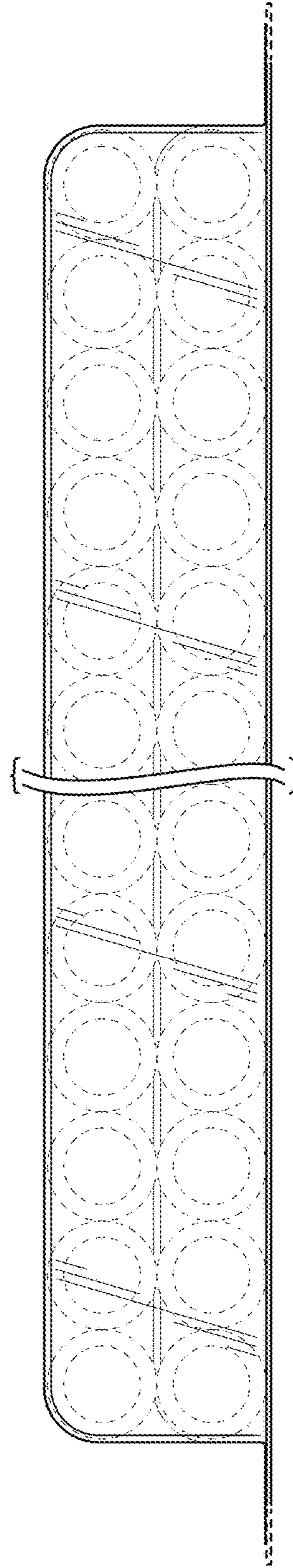


FIG. 7