



US00D819436S

(12) **United States Design Patent**
Park et al.

(10) **Patent No.:** **US D819,436 S**
(45) **Date of Patent:** **** Jun. 5, 2018**

- (54) **SCREW NUT**
- (71) Applicant: **Korea Occupational Safety and Health Agency, Ulsan (KR)**
- (72) Inventors: **Ju Dong Park, Gyeongsangnam-do (KR); Jeong Se Lee, Busan (KR); Hyun Sub Lee, Gyeonggi-do (KR)**
- (73) Assignee: **KOREA OCCUPATIONAL SAFETY AND HEALTH AGENCY, Ulsan (KR)**
- (**) Term: **15 Years**
- (21) Appl. No.: **29/604,785**
- (22) Filed: **May 19, 2017**
- (51) **LOC (11) Cl.** **08-08**
- (52) **U.S. Cl.**
USPC **D8/397**
- (58) **Field of Classification Search**
USPC D8/399, 382, 349, 397, 394
CPC F16B 39/24; F16B 31/028; F16B 39/28;
F16B 41/002; E04G 25/065; F01L 9/04;
B25B 13/50
See application file for complete search history.

5,188,495	A *	2/1993	Jones, Jr.	F16B 43/001
				285/220
D459,207	S *	6/2002	Miyata	D8/397
D524,149	S *	7/2006	Kim	D8/397
D551,972	S *	10/2007	Jacobs	D9/445
7,374,382	B2 *	5/2008	Bentrim	F16B 37/068
				411/180
D609,999	S *	2/2010	Andersson	D8/399
D646,153	S *	10/2011	Andersson	D8/397
D646,154	S *	10/2011	Andersson	D8/397
D679,988	S *	4/2013	Yamazaki	D8/397
D738,714	S *	9/2015	Kuhmichel	D8/397
9,377,047	B2 *	6/2016	Hill	F16B 5/0642
D798,701	S *	10/2017	Hill	D8/397
D799,315	S *	10/2017	May	D8/397
2008/0022505	A1 *	1/2008	Vogel	B21K 1/702
				29/525.02

* cited by examiner

Primary Examiner — Cynthia Underwood
(74) *Attorney, Agent, or Firm* — IP & T Group LLP

(57) **CLAIM**

The ornamental design for a screw nut, as shown and described.

DESCRIPTION

FIG. 1 is a perspective view of a screw nut; FIG. 2 is a front view of a screw nut; FIG. 3 is a rear view of a screw nut; FIG. 4 is a left side view of a screw nut; FIG. 5 is a right side view of a screw nut; FIG. 6 is a top view of a screw nut; and, FIG. 7 is a bottom view of a screw nut. The broken line showing of the screw nut in FIG. 8 is for environmental purposes only and forms no part of the claimed design.

1 Claim, 7 Drawing Sheets

- (56) **References Cited**
U.S. PATENT DOCUMENTS
- 3,522,830 A * 8/1970 Blizard F16B 39/34
411/303
- 4,134,438 A * 1/1979 Frieberg F16B 39/24
411/163
- 4,207,938 A * 6/1980 Mortus F16B 39/284
411/281
- D311,131 S * 10/1990 Saito D8/397

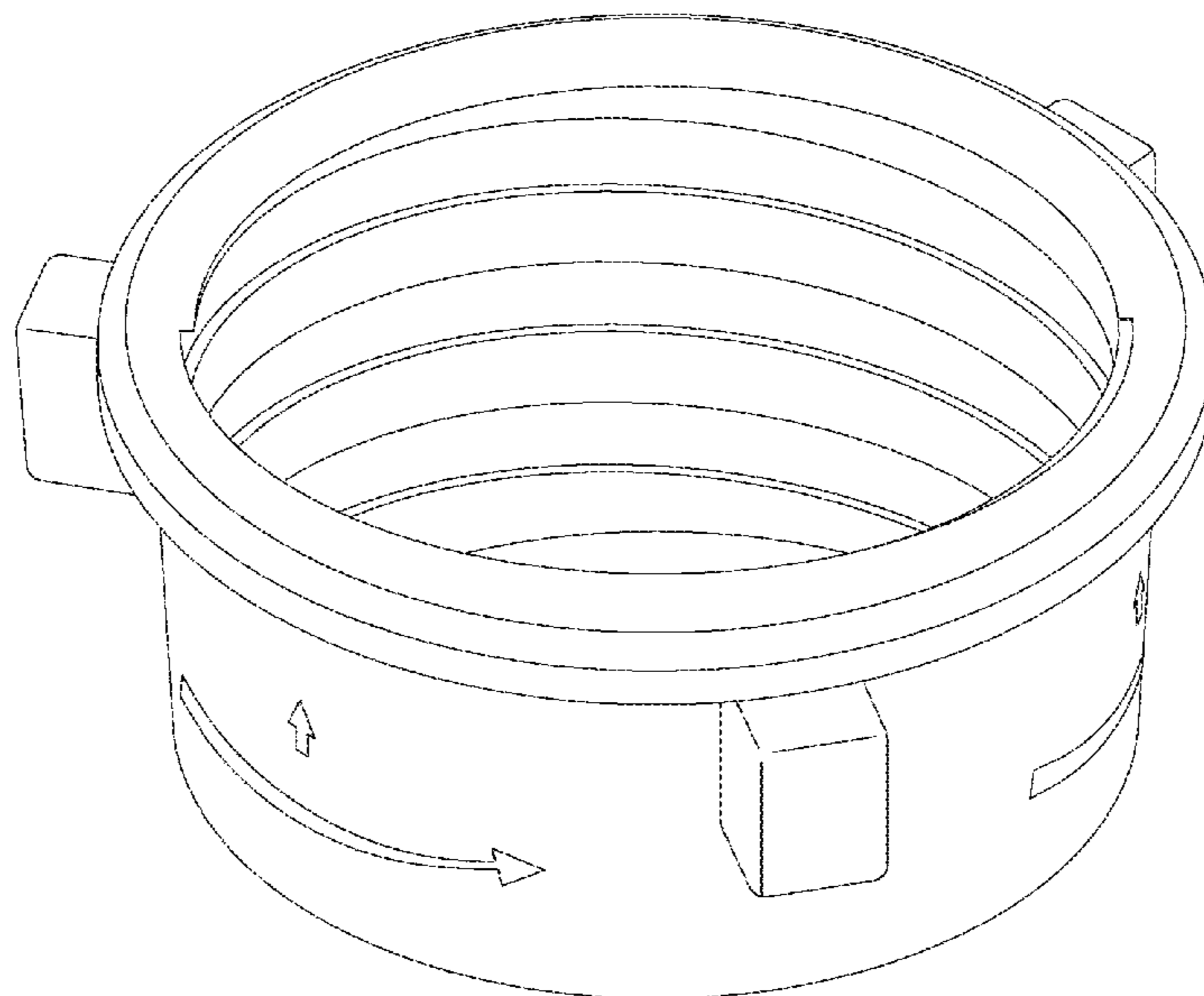


FIG.1

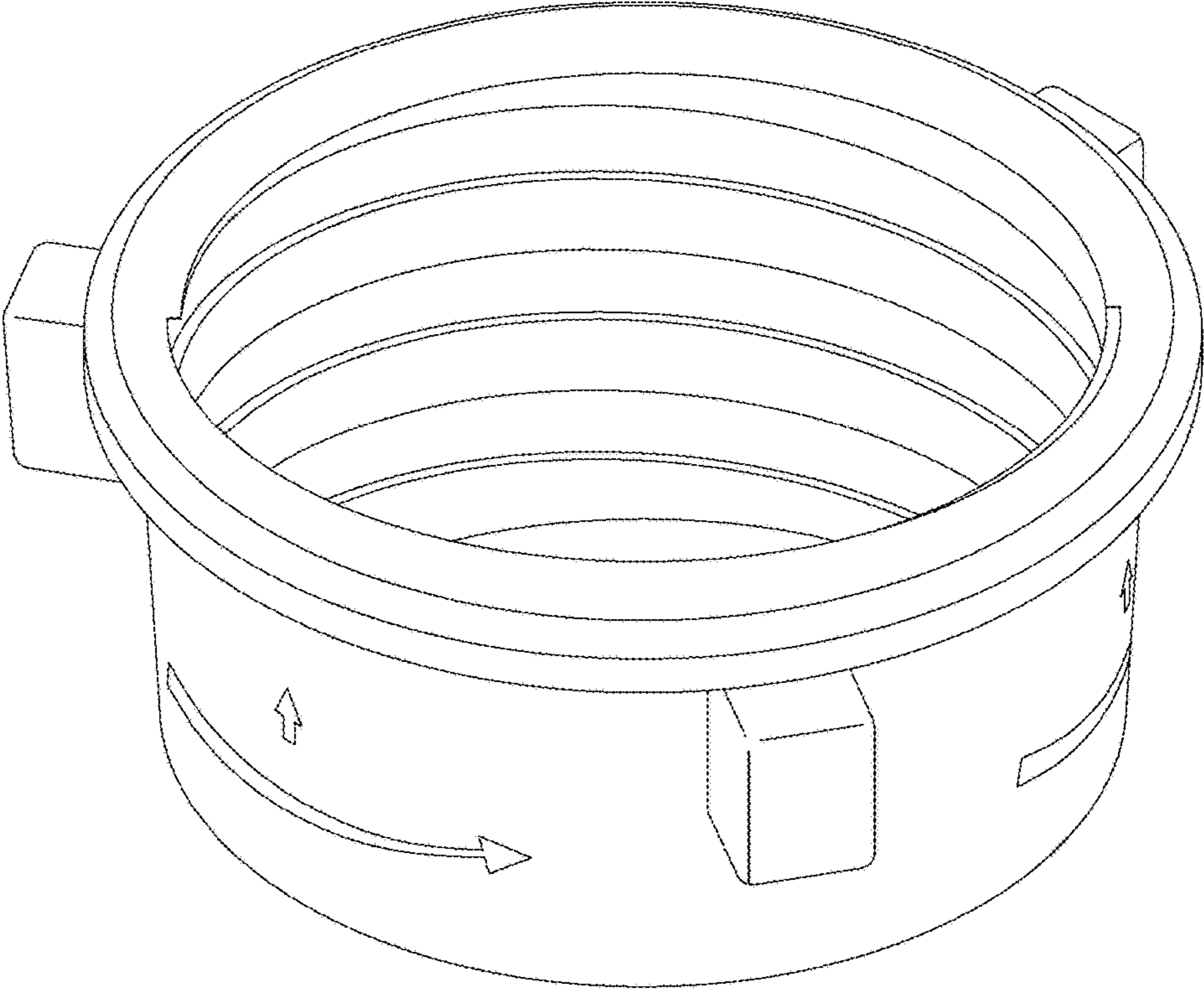


FIG.2

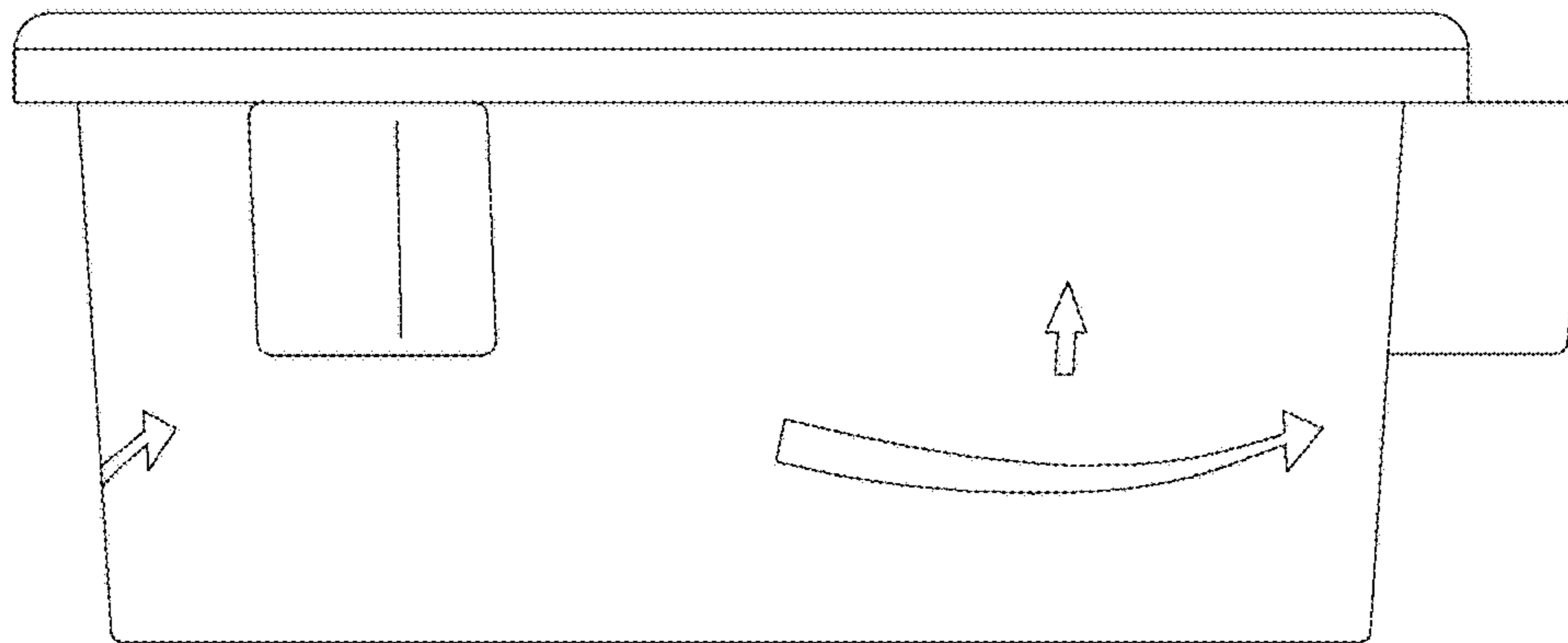


FIG.3

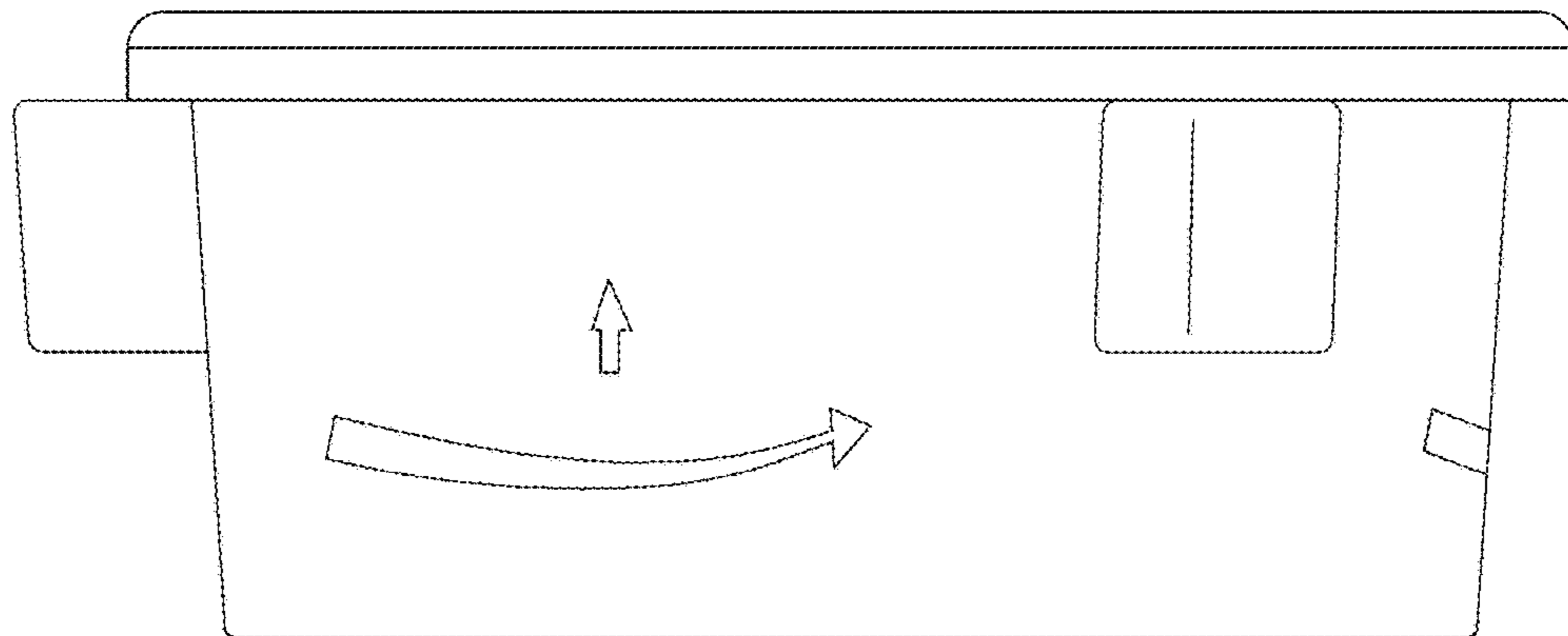


FIG.4

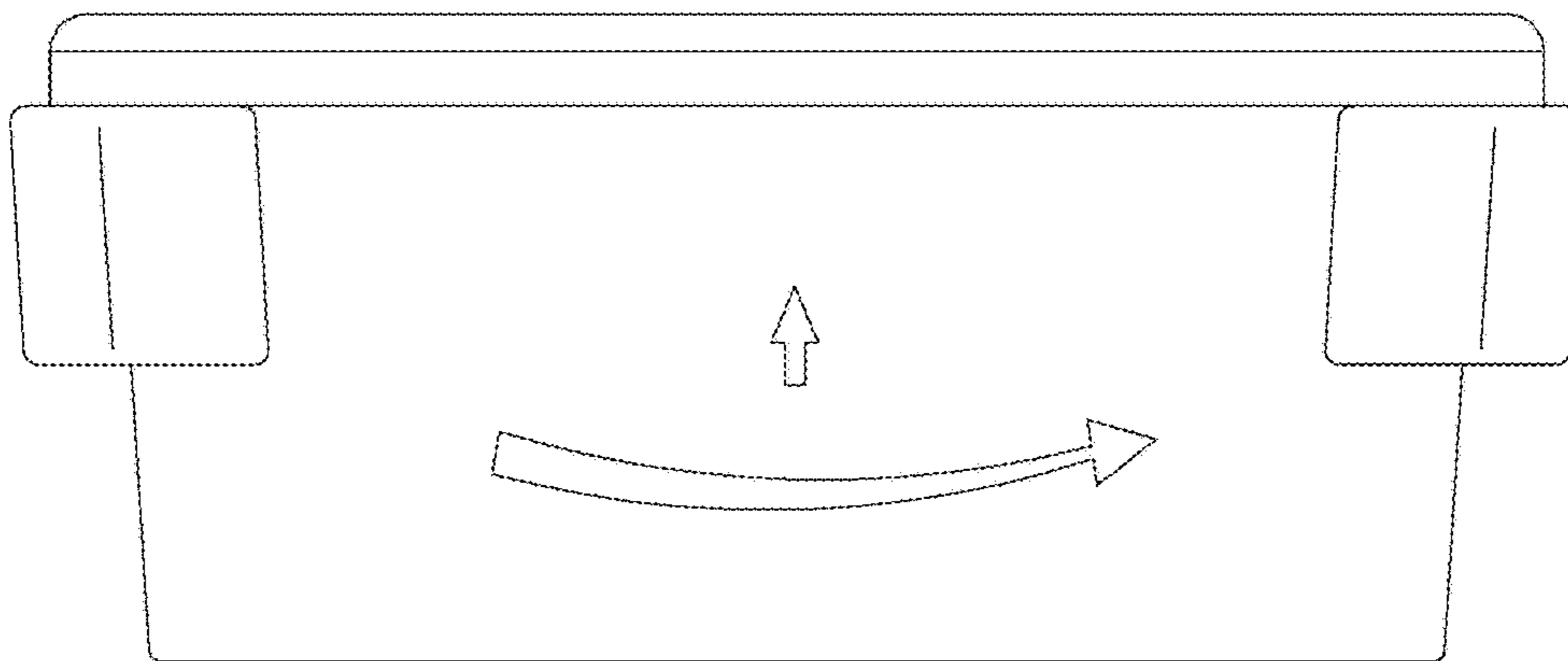


FIG.5

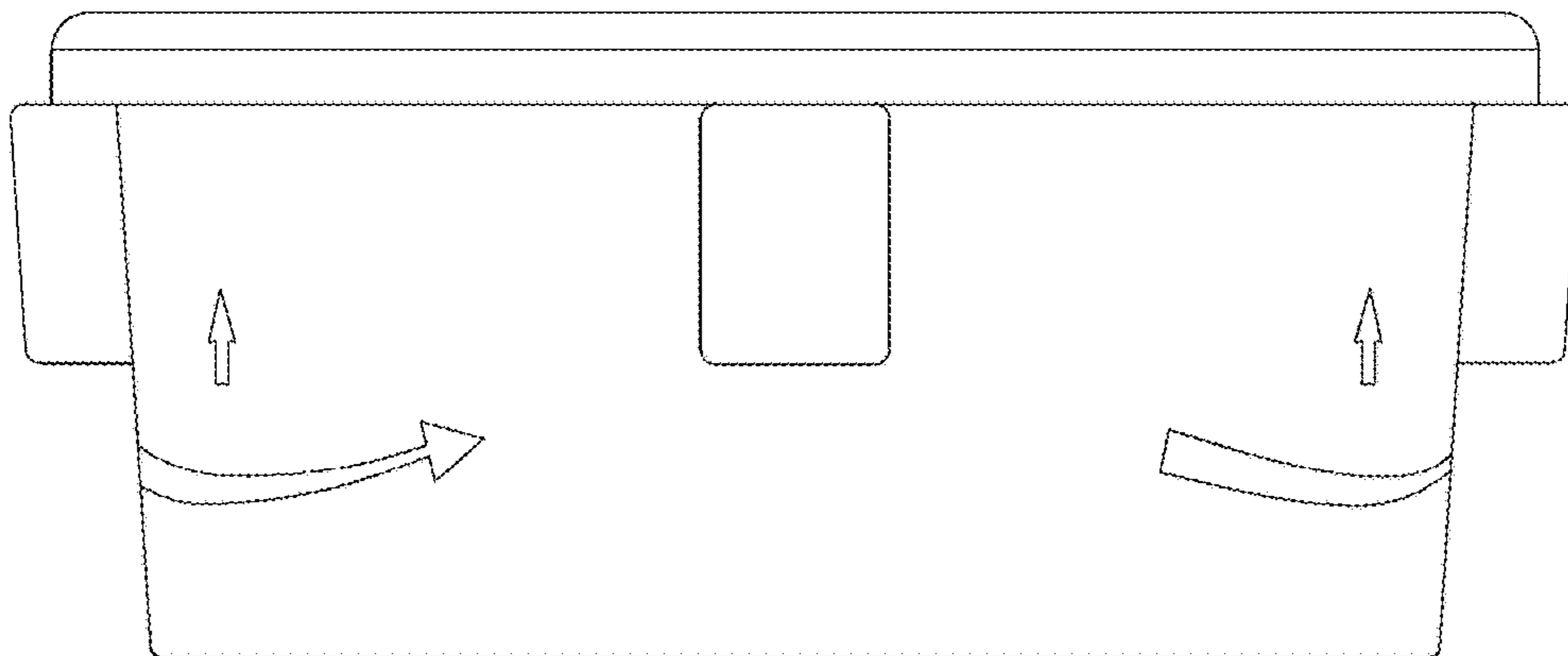


FIG.6

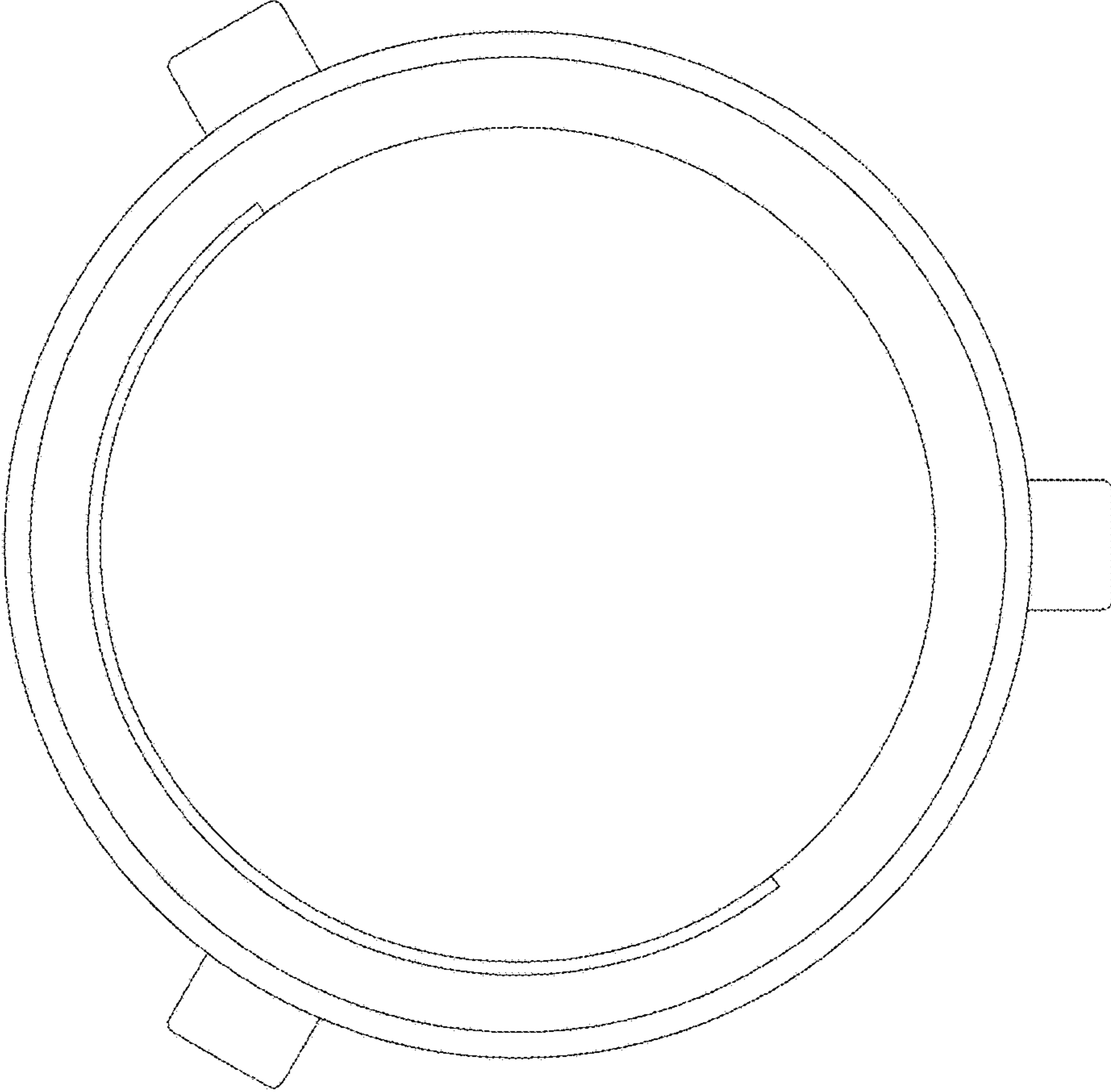


FIG.7

