



US00D819433S

(12) **United States Design Patent** (10) **Patent No.:** **US D819,433 S**
Frydlewski et al. (45) **Date of Patent:** **** Jun. 5, 2018**

(54) **FASTENING DEVICE**

- (71) Applicant: **Hickies, Inc.**, Brooklyn, NY (US)
- (72) Inventors: **Gaston Frydlewski**, Brooklyn, NY (US); **Maria R. Waingarten**, Brooklyn, NY (US); **David Reeb**, Sykesville, MD (US)
- (73) Assignee: **Hickies, Inc.**, Brooklyn, NY (US)
- (**) Term: **14 Years**
- (21) Appl. No.: **29/503,374**
- (22) Filed: **Sep. 25, 2014**

Related U.S. Application Data

- (63) Continuation of application No. 29/468,991, filed on Oct. 4, 2013, now Pat. No. Des. 716,645.
- (51) **LOC (11) Cl.** **02-07**
- (52) **U.S. Cl.**
USPC **D8/394; D2/978**
- (58) **Field of Classification Search**
USPC D8/356, 383, 394-396; 24/16 PB, 17 AP, 24/30.5 P, 30.5 S, 300-302, 339, DIG. 16, 24/713, 713.1; 248/58, 60, 74.3, 71; 70/16; 128/878; D12/408; D2/978
See application file for complete search history.

(56) **References Cited**

U.S. PATENT DOCUMENTS

- 146,913 A 1/1874 Keith
- 315,819 A 4/1885 Naylor
- 562,114 A 6/1896 Benford
- 565,884 A 8/1896 Emmons

(Continued)

FOREIGN PATENT DOCUMENTS

- BR 6900021 U 4/1991
- CN 1036129 A 10/1989

(Continued)

OTHER PUBLICATIONS

Examination Report issued in Malaysia Patent Application No. PI 2014002296, dated Jan. 15, 2018.

(Continued)

Primary Examiner — John Windmuller

(74) *Attorney, Agent, or Firm* — Venable LLP; Steven J. Schwarz; Elizabeth C. Gitlin

(57) **CLAIM**

The ornamental design for a fastening device, as shown and described.

DESCRIPTION

FIG. 1 is a front perspective view of a first embodiment of the invention.

FIG. 2 is a top plan view of FIG. 1.

FIG. 3 is a front elevation view of FIG. 1.

FIG. 4 is a right side elevation view of FIG. 1.

FIG. 5 is a left side elevation view of FIG. 1.

FIG. 6 is a rear elevation view of FIG. 1.

FIG. 7 is a bottom plan view of FIG. 1.

FIG. 8 is a front perspective view of a second embodiment of the invention.

FIG. 9 is a top plan view of FIG. 8.

FIG. 10 is a front elevation view of FIG. 8.

FIG. 11 is a right side elevation view of FIG. 8.

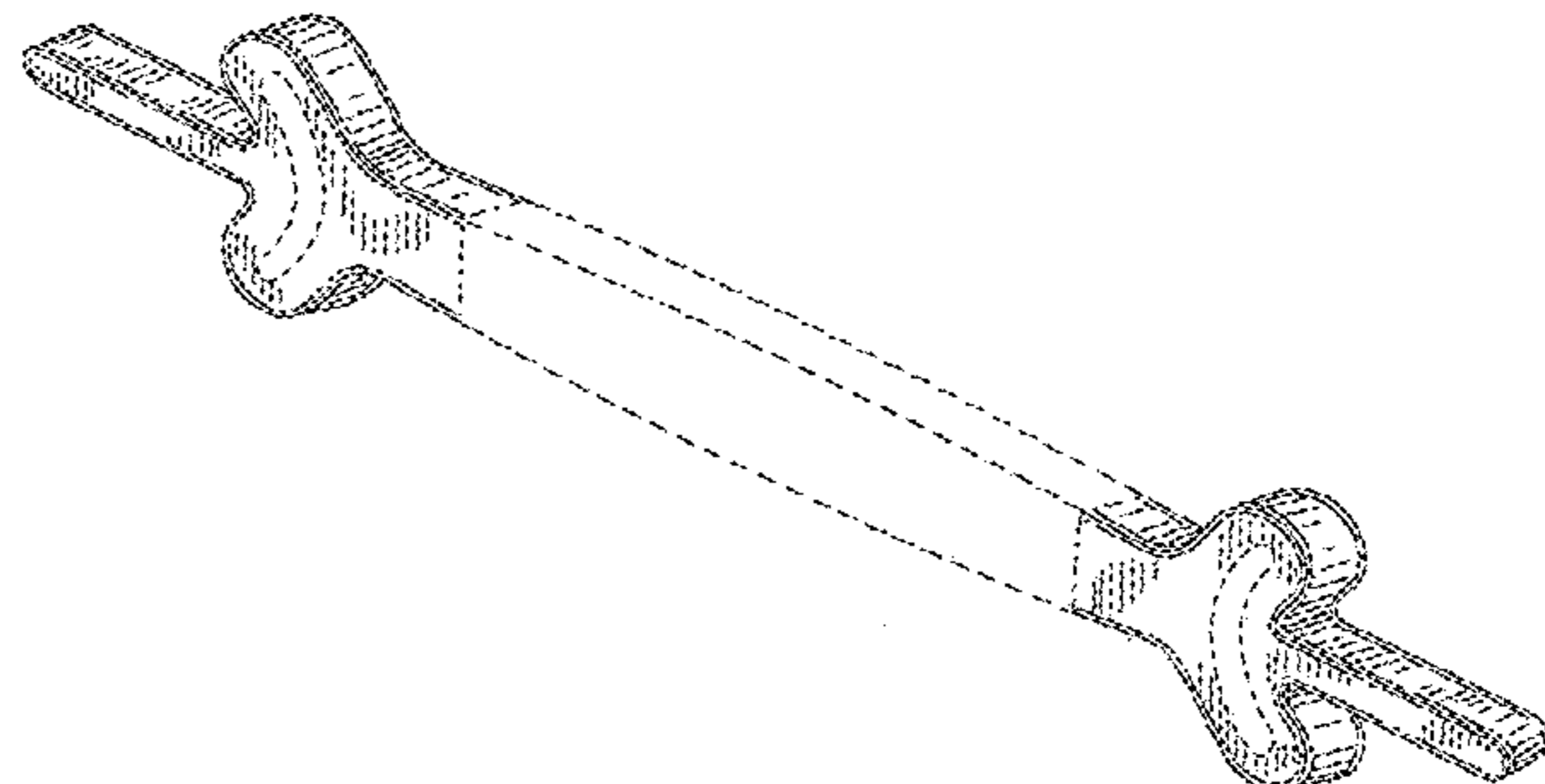
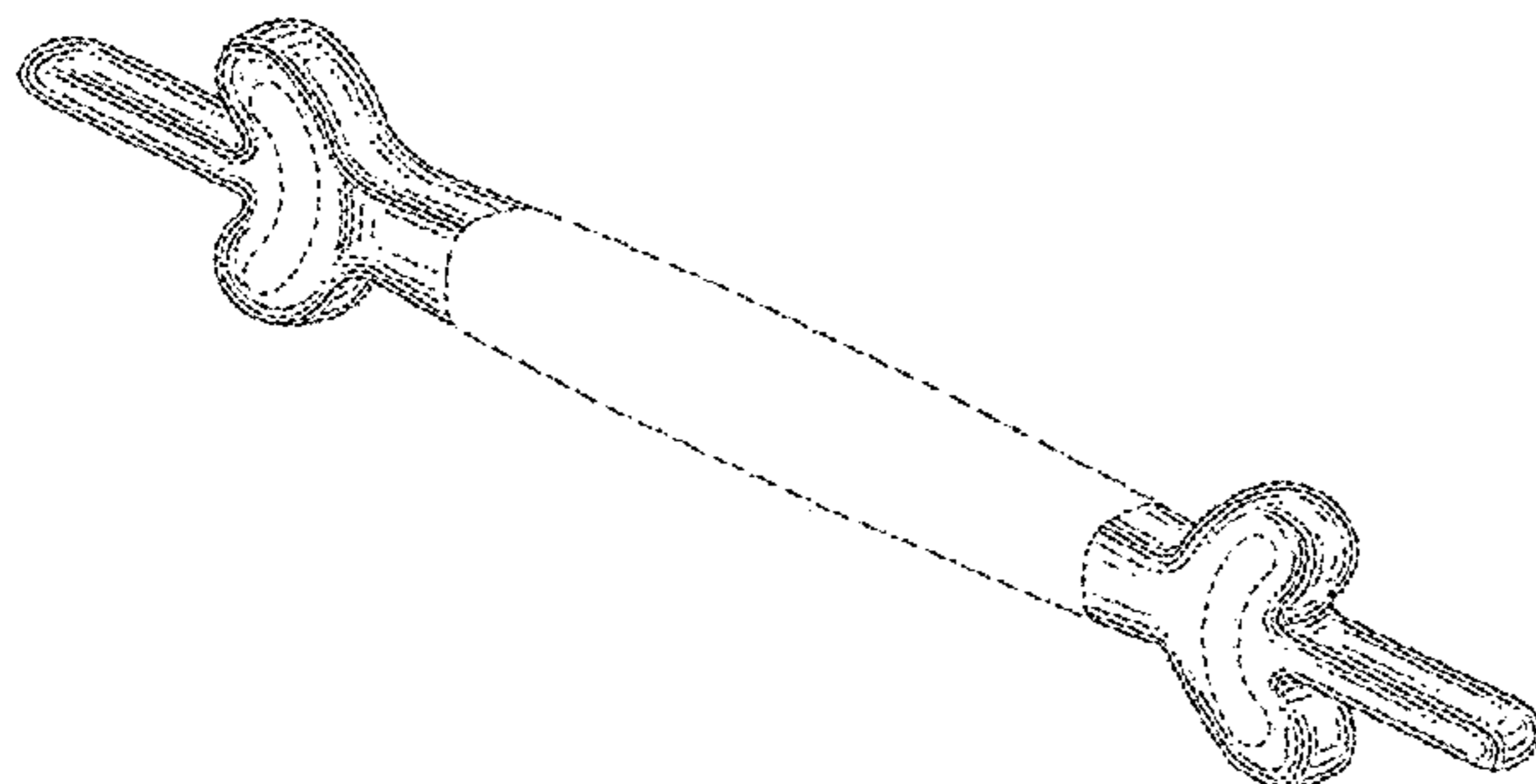
FIG. 12 is a left side elevation view of FIG. 8.

FIG. 13 is a rear elevation view of FIG. 8; and,

FIG. 14 is a bottom plan view of FIG. 8.

The broken lines in the figures represent areas of the fastening device that form no part of the claimed design. The dash-dot-dash lines in the figures represent boundaries between claimed and unclaimed areas.

1 Claim, 6 Drawing Sheets



(56)

References Cited

U.S. PATENT DOCUMENTS

672,506 A 4/1901 Godward
 705,562 A 7/1902 Chipley
 715,599 A 12/1902 Pitts
 830,902 A 9/1906 Keller
 976,826 A 11/1910 Obele
 1,055,118 A 3/1913 Ziegllr
 1,184,647 A 5/1916 Holloway
 1,458,088 A 6/1923 Unnold
 1,595,630 A 8/1926 Stockton
 1,678,241 A 7/1928 Benz
 1,685,489 A 9/1928 Jansen
 D89,286 S 2/1933 Rosenthal
 1,898,225 A 2/1933 Szabo
 1,934,455 A 11/1933 Staude et al.
 1,945,932 A 2/1934 Caley
 1,966,135 A 7/1934 Reh
 2,264,644 A 12/1941 Santangelo
 2,289,225 A 7/1942 Tonai
 2,438,143 A 3/1948 Brown
 2,689,991 A 9/1954 Fedankiw et al.
 D177,723 S 5/1956 Doherty
 D179,614 S 1/1957 Shafer
 2,871,537 A 2/1959 Hickerson
 D194,177 S 12/1962 Swett
 3,193,950 A 7/1965 Liou
 3,382,546 A 5/1968 Palmay
 3,522,635 A 8/1970 Nilsson
 3,701,572 A 10/1972 Velasquez
 3,731,350 A 5/1973 Diebold
 4,112,988 A 9/1978 Nelson
 4,144,621 A 3/1979 Green
 4,296,515 A 10/1981 Hauser
 4,486,965 A 12/1984 Friton
 5,214,826 A 6/1993 Fortune
 5,230,171 A 7/1993 Cardaropoli
 5,239,732 A 8/1993 Steven
 5,295,315 A 3/1994 Osawa et al.
 5,388,315 A 2/1995 Jones
 5,465,442 A 11/1995 Merser
 5,537,763 A 7/1996 Donnadiou et al.
 5,586,353 A 12/1996 Merser
 5,639,244 A 6/1997 Stricklin
 5,692,276 A 12/1997 Paxton
 D393,411 S 4/1998 Crowe
 5,737,811 A 4/1998 Rashid
 5,746,500 A 5/1998 Chien
 5,799,376 A 9/1998 Harsley
 5,822,844 A 10/1998 Mento
 D409,522 S 5/1999 Satterfield et al.
 6,073,315 A 6/2000 Rasmussen
 D432,946 S 10/2000 Gorelick
 6,313,406 B1 11/2001 Gretz
 6,401,304 B1 6/2002 Dossett
 6,490,767 B2 12/2002 Haiduk
 6,513,210 B1 2/2003 Gonzalez
 6,634,063 B2 10/2003 Joseph
 6,701,589 B1 3/2004 Kliewer
 D488,374 S 4/2004 Hussaini et al.
 D492,897 S 7/2004 Strange et al.
 D503,034 S 3/2005 Choi
 D513,880 S 1/2006 Domotor et al.
 D542,928 S 5/2007 Bauer
 D543,833 S 6/2007 Folk et al.
 D544,338 S 6/2007 Christensen et al.
 D579,764 S * 11/2008 Kuhlmann D8/394
 7,506,420 B2 3/2009 Frydlewski
 D590,705 S 4/2009 Kuhlmann
 D596,759 S 7/2009 Burke
 D599,196 S 9/2009 Ruffin et al.
 D614,855 S 5/2010 Inohara et al.
 D615,385 S 5/2010 Arendt
 D623,933 S 9/2010 Mallin et al.
 7,825,337 B2 11/2010 Young, IV
 D628,936 S 12/2010 Edelstein
 D637,065 S 5/2011 Krietzman et al.

D637,066 S 5/2011 Krietzman et al.
 D641,708 S 7/2011 Yamauchi
 D662,987 S 7/2012 Ianke
 8,261,416 B2 9/2012 Rothbaum et al.
 D672,230 S 12/2012 Laverack et al.
 D678,000 S 3/2013 Lee et al.
 D686,909 S 7/2013 Frydlewski et al.
 8,590,121 B1 11/2013 Patt, Jr. et al.
 D698,232 S 1/2014 Weinberg
 D705,442 S 5/2014 Tipton et al.
 8,850,675 B2 10/2014 Frydlewski et al.
 D724,935 S 3/2015 Warner
 D729,054 S 5/2015 Chen
 D734,605 S 7/2015 Van Der Pol
 D736,514 S 8/2015 Lach
 D752,333 S 3/2016 Van Der Pol
 9,382,051 B2 7/2016 Creato
 D774,879 S 12/2016 Martinson
 D776,990 S 1/2017 To
 2002/0178559 A1 12/2002 Hsu
 2003/0140459 A1 7/2003 Strange et al.
 2004/0139583 A1 7/2004 Wendle
 2005/0251967 A1 11/2005 McNeill
 2005/0268435 A1 12/2005 Moughelbay et al.
 2006/0168785 A1 8/2006 Kraft et al.
 2006/0254089 A1 11/2006 Frydlewski
 2009/0235494 A1 9/2009 Browne et al.
 2009/0242439 A1 10/2009 Talley
 2009/0260267 A1 10/2009 Evans
 2010/0293767 A1 11/2010 Talley
 2010/0325849 A1 12/2010 Clayton
 2011/0058902 A1 3/2011 Barbeau et al.
 2011/0271491 A1 11/2011 Clawson
 2012/0180268 A1 7/2012 Chen
 2012/0192385 A1 8/2012 Burdett et al.
 2013/0199020 A1 8/2013 Frydlewski et al.
 2016/0325897 A1 11/2016 Kierstead
 2016/0338455 A1 11/2016 Chuan
 2016/0340093 A1 11/2016 Muller

FOREIGN PATENT DOCUMENTS

CN 3052239 12/1996
 CN 3055530 3/1997
 CN 3105681 3/1999
 CN 1833567 A 9/2006
 CN 201139130 Y 10/2008
 CN 301041762 10/2009
 CN 301257699 6/2010
 CN 301267166 6/2010
 DE 20 2012 012779 U1 3/2014
 FR 958758 A 3/1950
 JP D2010-19098 7/2010
 JP 1409037 3/2011
 NL 002305581-0001 10/2013
 WO 2013066004 A1 5/2013
 WO 2013/119268 A1 8/2013
 WO 2014/106974 A1 7/2014

OTHER PUBLICATIONS

“Jazzy Sports Laces,” <https://www.youtube.com/watch?v=XzawtAIHzsw>, Aug. 13, 2015.
 “Koollaces Inc,” http://www.koollaces.net/en/contents/index_3_1.php, Aug. 13, 2015.
 “Shop”, 2014, 2 pages, accessed from the Internet on Oct. 14, 2014 at <<http://laceout.com/shop/>>.
 “Slastics Video English,” <https://vimeo.com/124641229>, Aug. 13, 2015.
 “Strapz Team Spirit,” <http://so-?mine.net/porkolio/strapz--?team=?spirit-?3/>, Aug. 13, 2015.
 Amazon, <http://www.amazon.de/Lizas-Lederarmband-geflochten-Kristallen-LIZA119/dp/B00KYW17VU/ref=sr_1_152?s=jewelry&ie=UTF8&qid=1412677656&sr=1-152>, retrieved Oct. 7, 2014.
 Application for a Declaration of Invalidity of a Registered Community Design against Registered Community Design 002075341-0001, dated Oct. 7, 2014.

(56)

References Cited

OTHER PUBLICATIONS

Bottega Veneta, <http://www.bottegaveneta.com/de/weiteres-leder-accessoire_cod463670620h.html>, retrieved Oct. 7, 2014.

Extended European Search Report issued in European Application No. 13153930.6, dated Apr. 7, 2014.

Extended European Search Report, dated Jun. 26, 2017 in European Patent Application No. 14845433.3.

International Search Report and Written Opinion in PCT/US2012/041713, dated Aug. 12, 2012.

International Search Report and Written Opinion in PCT International Application No. PCT /US14/56824, dated Dec. 16, 2014.

Laceout, <<http://www.laceout.com>>, retrieved Feb. 12, 2015.

Notice of Allowance issued in U.S. Appl. No. 13/367,362, dated Aug. 7, 2014.

Notice of Allowance issued in U.S. Appl. No. 29/412,658, dated May 21, 2013.

Notice of Allowance issued in U.S. Appl. No. 29/468,991, dated Sep. 2, 2014.

Notice of Allowance issued in U.S. Appl. No. 29/468,997, dated Sep. 25, 2014.

Notice of Allowance issued in U.S. Appl. No. 29/468,999, dated Sep. 9, 2014.

Notice of Allowance, dated Mar. 13, 2017 in U.S. Appl. No. 29/561,464.

Office Action issued in Canadian Patent Application No. 2,831,406, dated Nov. 13, 2013.

Office Action issued in Chinese Patent Application No. 201210308271.4, dated Oct. 10, 2014.

Office Action issued in Chinese Patent Application No. 201230369100.3, dated Nov. 27, 2013.

Office Action issued in Chinese Patent Application No. 201280069064.6, dated Jul. 24, 2015.

Office Action issued in Chinese Patent Application No. 2012810308271.4, dated Aug. 25, 2015.

Office Action issued in Chinese Patent Application No. 23162378, dated Dec. 3, 2013.

Office Action issued in Colombian Patent Application No. 14-1713751, dated Jul. 7, 2015.

Office Action issued in Korean Patent Application No. 102300429, dated Aug. 8, 2013.

Office Action issued in Design U.S. Appl. No. 29/468,543, dated Jun. 16, 2015.

Office Action issued in U.S. Appl. No. 13/367,362, dated Apr. 16, 2014.

Office Action issued in U.S. Appl. No. 14/493,108, dated Apr. 16, 2015.

Office Action issued in U.S. Appl. No. 14/493,108, dated Dec. 11, 2015.

Office Action issued in U.S. Appl. No. 14/493,108, dated Mar. 18, 2016.

Search Report issued in Korean Patent Application No. 102300429, dated Jul. 18, 2013.

Substantive Examination Report issued in Philippines Patent Application No. 1/2014/501752, dated Mar. 17, 2015.

U-Laces, <<http://www.u-lace.com>>, retrieved Feb. 12, 2015.

UX Movement, "Why Rounded Corners are Easier on the Eyes," <<http://uxmovement.com/thinking/why-rounded-corners-are-easier-on-the-eyes/>>, retrieved on Feb. 12, 2015.

Yankz, <<http://www.yankz.com>>, retrieved Feb. 12, 2015.

* cited by examiner

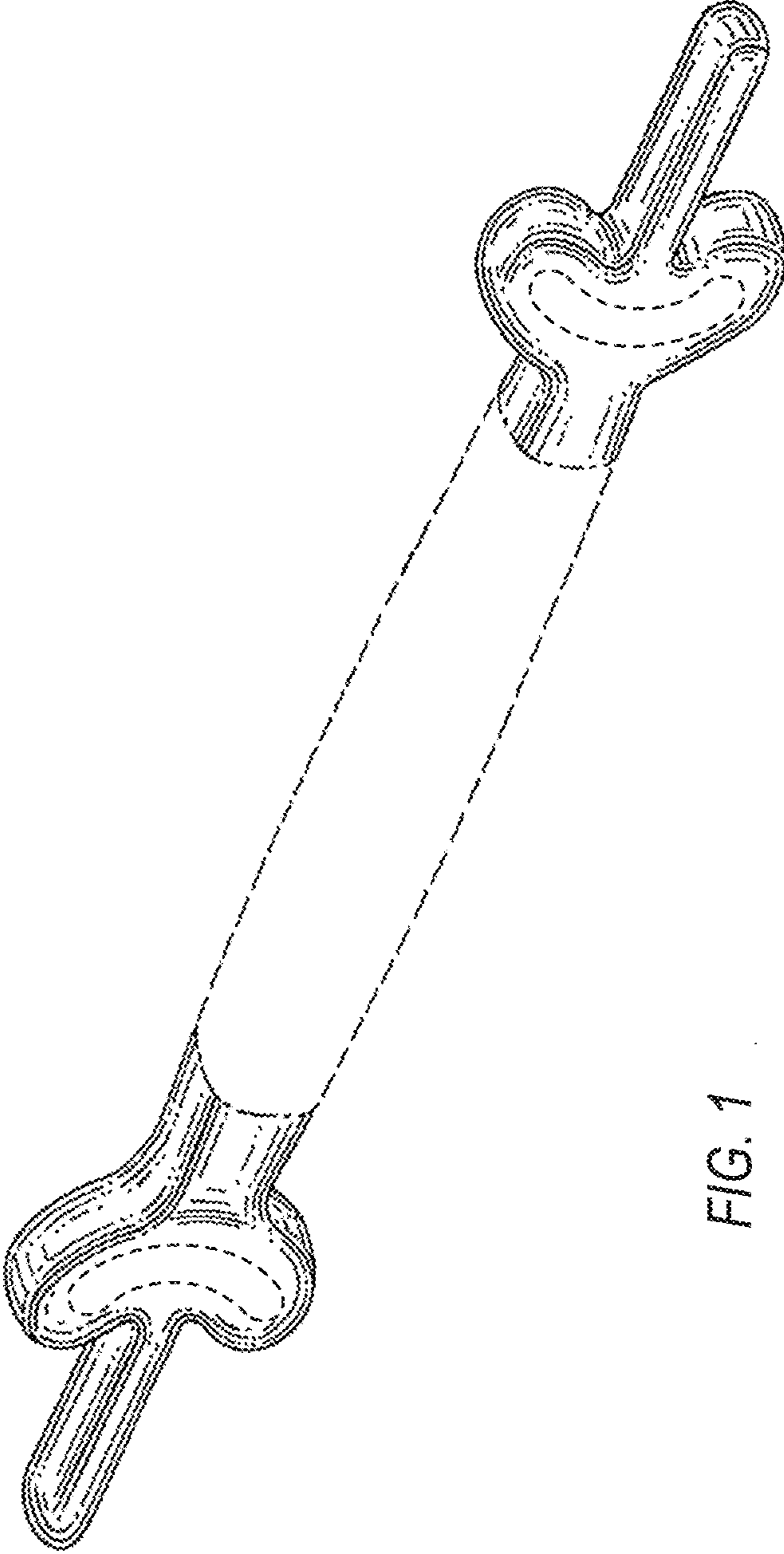


FIG. 1

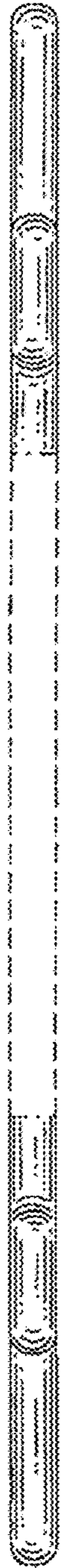


FIG. 2

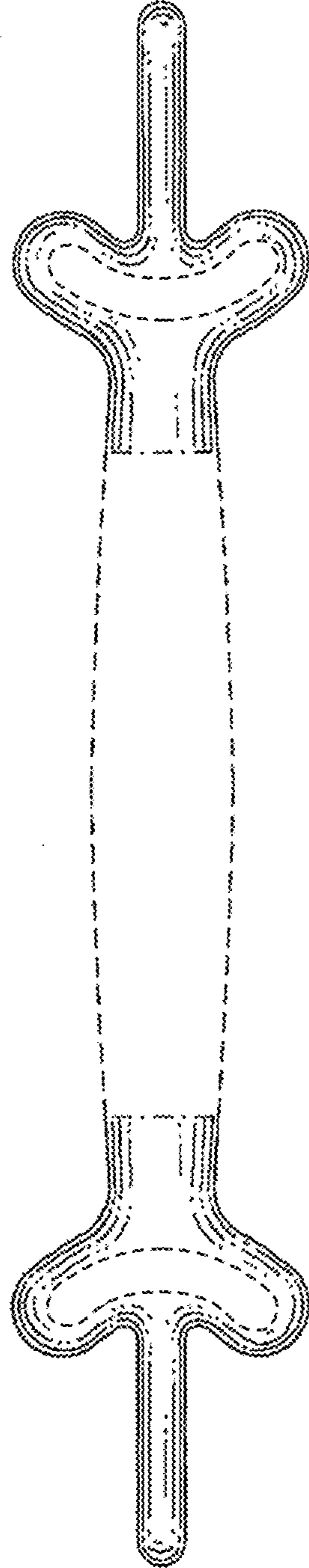
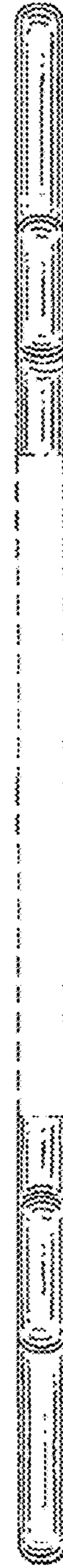
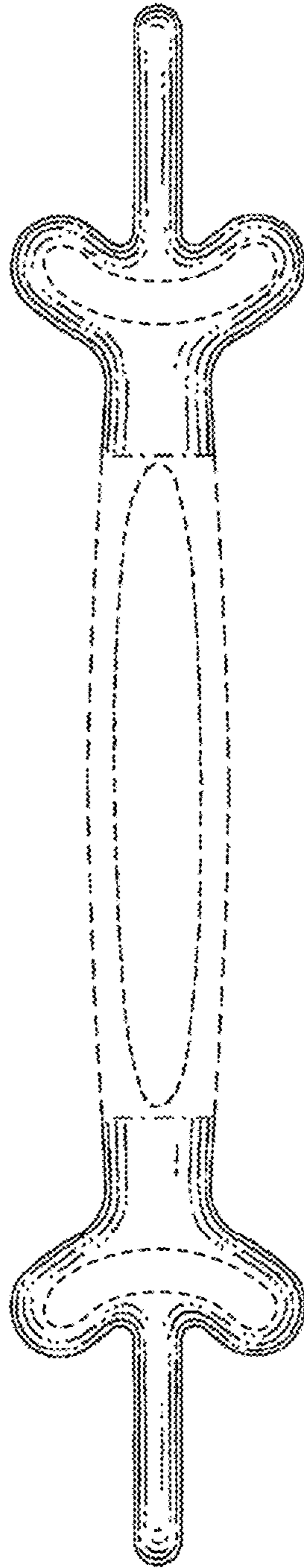
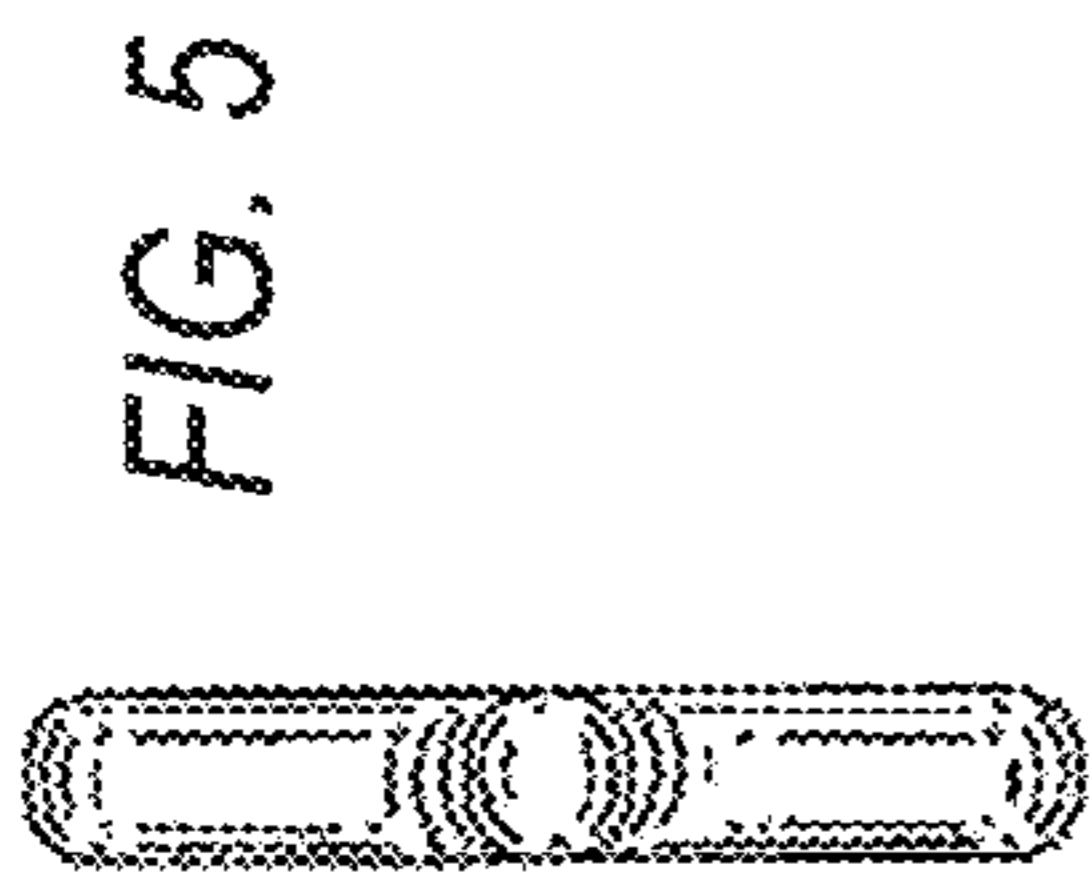


FIG. 3



FIG. 4



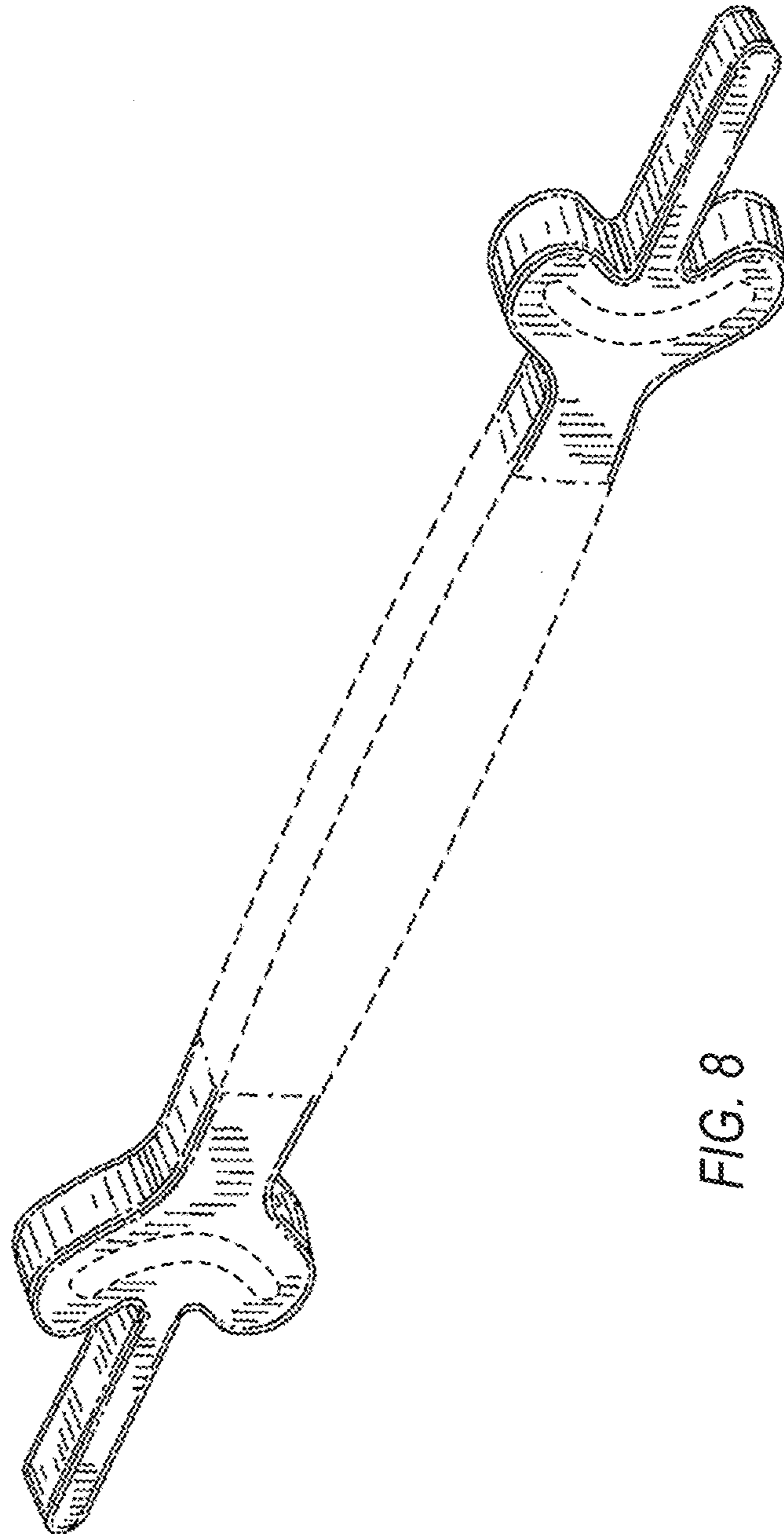


FIG. 8

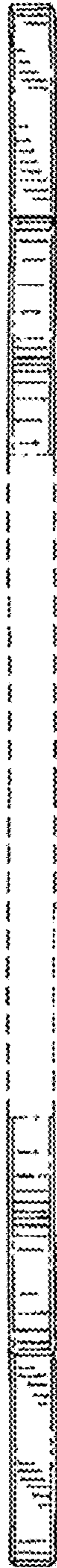


FIG. 9

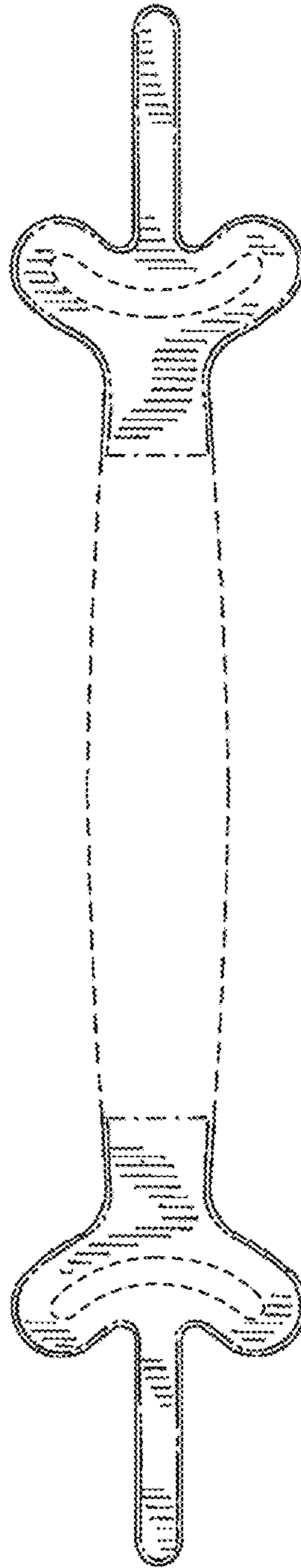


FIG. 10



FIG. 11



FIG. 12

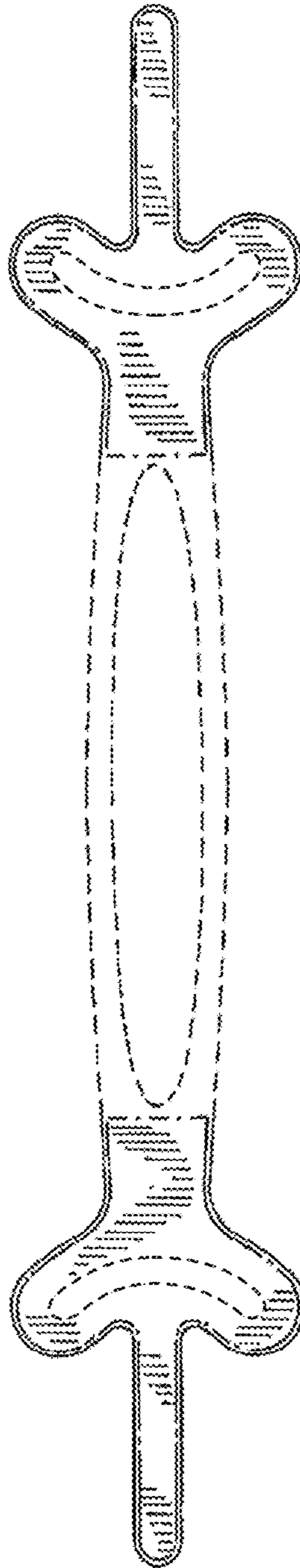


FIG. 13

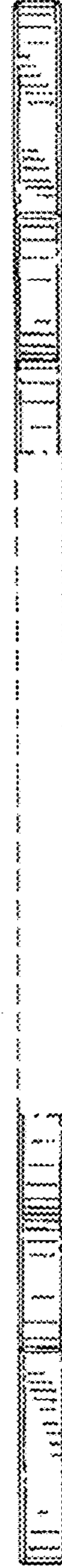


FIG. 14