



US00D819431S

(12) **United States Design Patent** (10) **Patent No.:** **US D819,431 S**  
**Goodman et al.** (45) **Date of Patent:** **\*\* Jun. 5, 2018**

(54) **HOOK**  
(71) Applicant: **Spectrum Diversified Designs, LLC**,  
Streetsboro, OH (US)  
(72) Inventors: **Aaron Goodman**, Beachwood, OH  
(US); **Courtney Wilson**, Chardon, OH  
(US)  
(73) Assignee: **SPECTRUM DIVERSIFIED  
DESIGNS, LLC**, Streetsboro, OH (US)  
(\*\*) Term: **15 Years**  
(21) Appl. No.: **29/608,911**  
(22) Filed: **Jun. 27, 2017**  
(51) **LOC (11) Cl.** ..... **08-05**  
(52) **U.S. Cl.**  
USPC ..... **D8/367**  
(58) **Field of Classification Search**  
USPC ..... D8/367  
CPC ..... A47H 13/00; F16M 13/02  
See application file for complete search history.

D761,638 S \* 7/2016 Johnson ..... D8/367  
2003/0066938 A1 \* 4/2003 Zimmerman ..... F21V 21/088  
248/301  
2004/0164211 A1 \* 8/2004 Orona ..... B60N 2/4666  
248/214  
2004/0178240 A1 \* 9/2004 Bauer ..... A45F 5/02  
224/268

**OTHER PUBLICATIONS**

<https://www.spectrumdiversified.com/products/Over-Door-Hook-1;>  
5 pages; at least as early as Jun. 14, 2017.  
U.S. Appl. No. 29/596,750, filed Mar. 10, 2017; 2 pages and 4 pages  
of drawings.

\* cited by examiner

*Primary Examiner* — Cynthia R Underwood  
(74) *Attorney, Agent, or Firm* — Tucker Ellis LLP;  
Patrick F. Clunk

(57) **CLAIM**

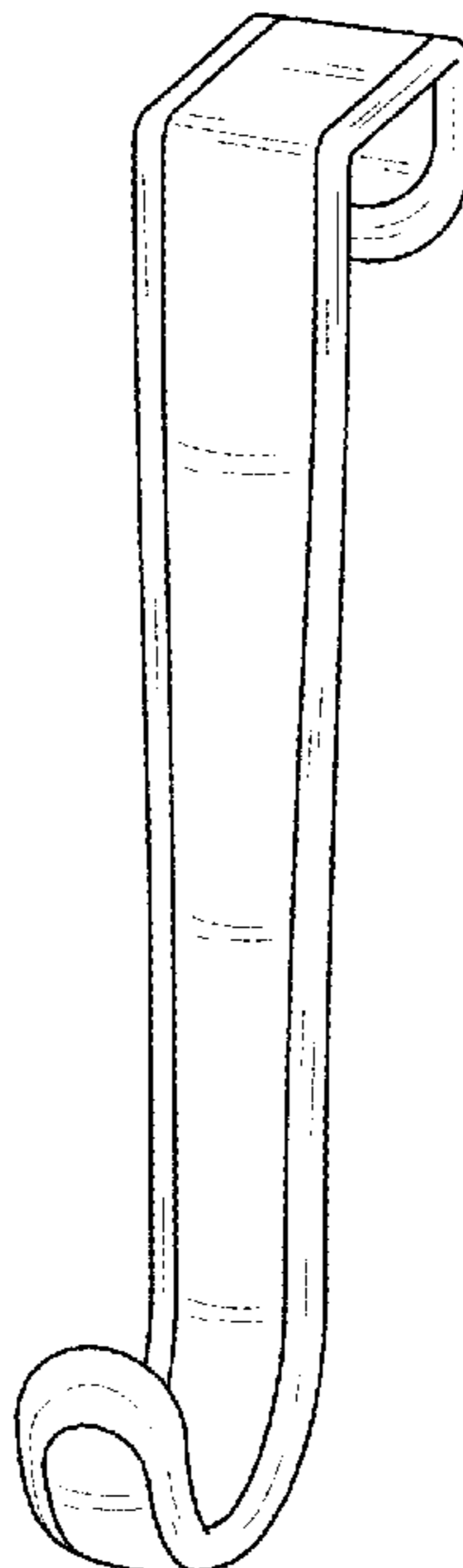
The ornamental design for a hook, as shown and described.

**DESCRIPTION**

FIG. 1 is a perspective view of a hook showing our new design.  
FIG. 2 is a front view thereof.  
FIG. 3 is a rear view thereof.  
FIG. 4 is a top view thereof.  
FIG. 5 is a bottom view thereof.  
FIG. 6 is a left side view thereof; and,  
FIG. 7 is a right side view thereof.

**1 Claim, 4 Drawing Sheets**

(56) **References Cited**  
U.S. PATENT DOCUMENTS  
D342,889 S \* 1/1994 Adams ..... D8/367  
D494,050 S \* 8/2004 Klein ..... D6/513  
D584,939 S \* 1/2009 Snell ..... D8/367  
D613,589 S \* 4/2010 Goodman ..... D8/367  
D697,388 S \* 1/2014 Pan ..... D8/367  
D720,984 S \* 1/2015 Privitera ..... D8/367  
D726,526 S \* 4/2015 Veilleux ..... D8/367  
D746,127 S \* 12/2015 Cohen ..... D8/367  
D753,472 S \* 4/2016 Pan ..... D8/371



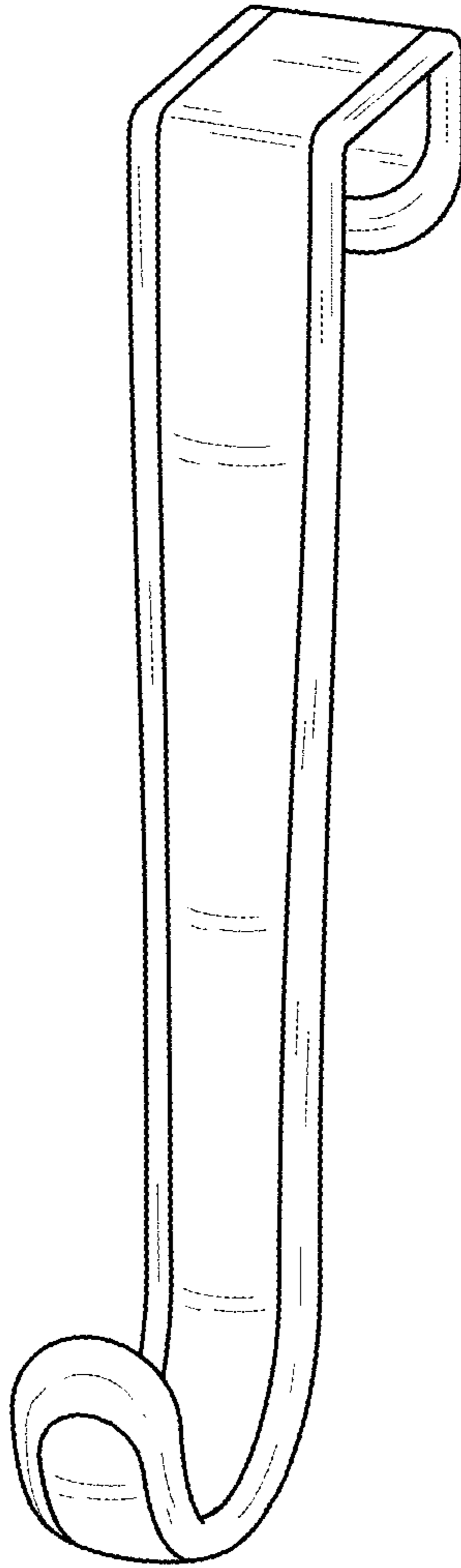


FIG. 1

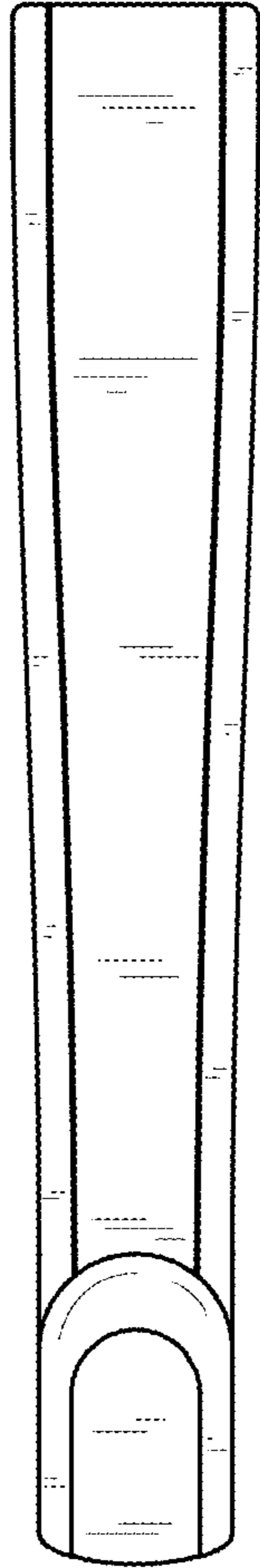


FIG. 2

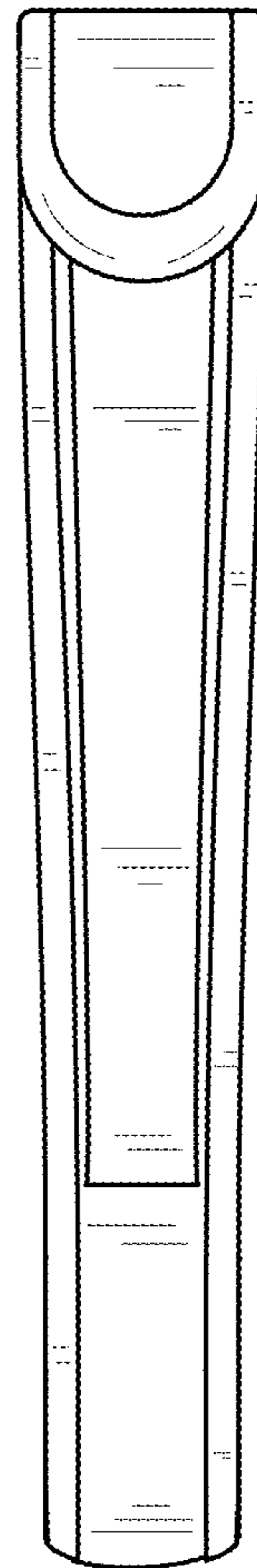


FIG. 3

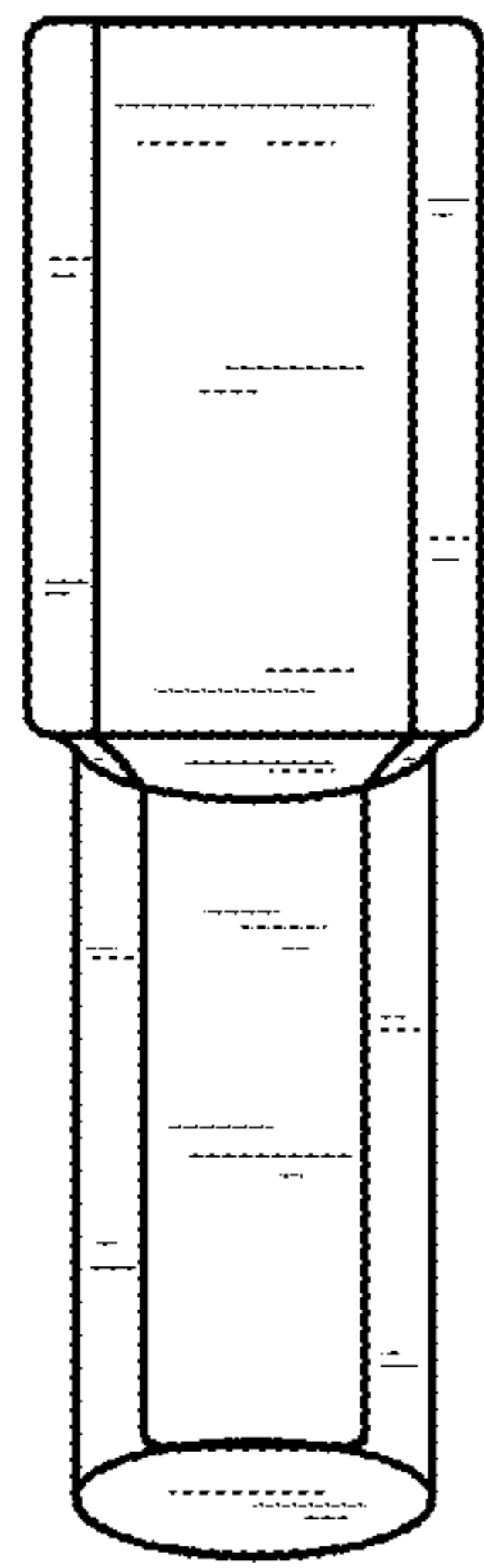


FIG. 4

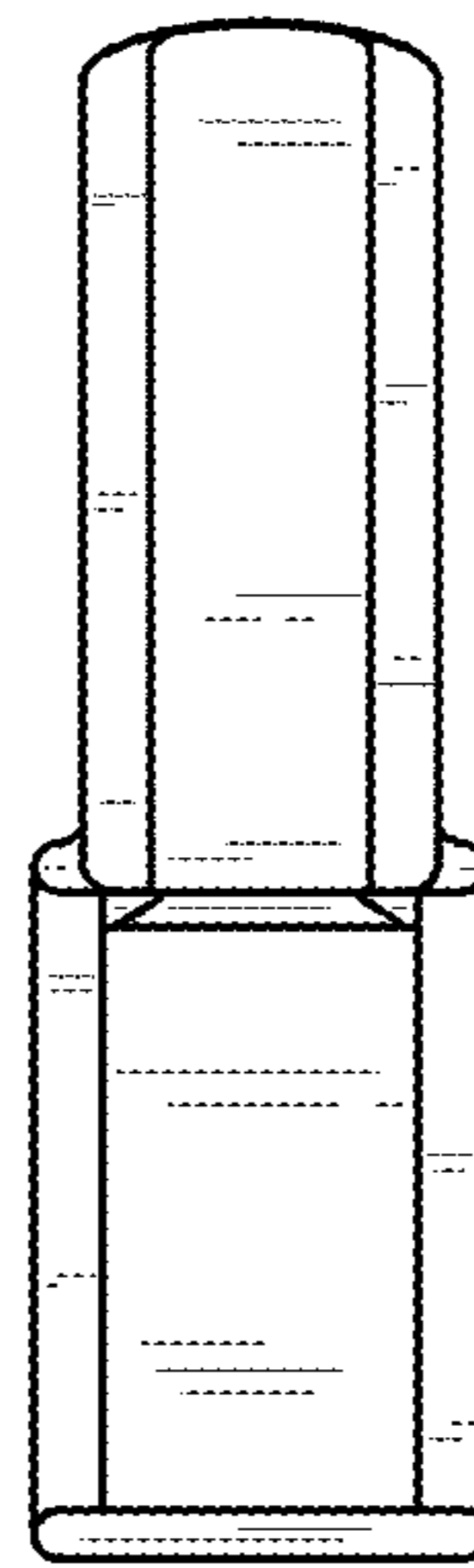


FIG. 5

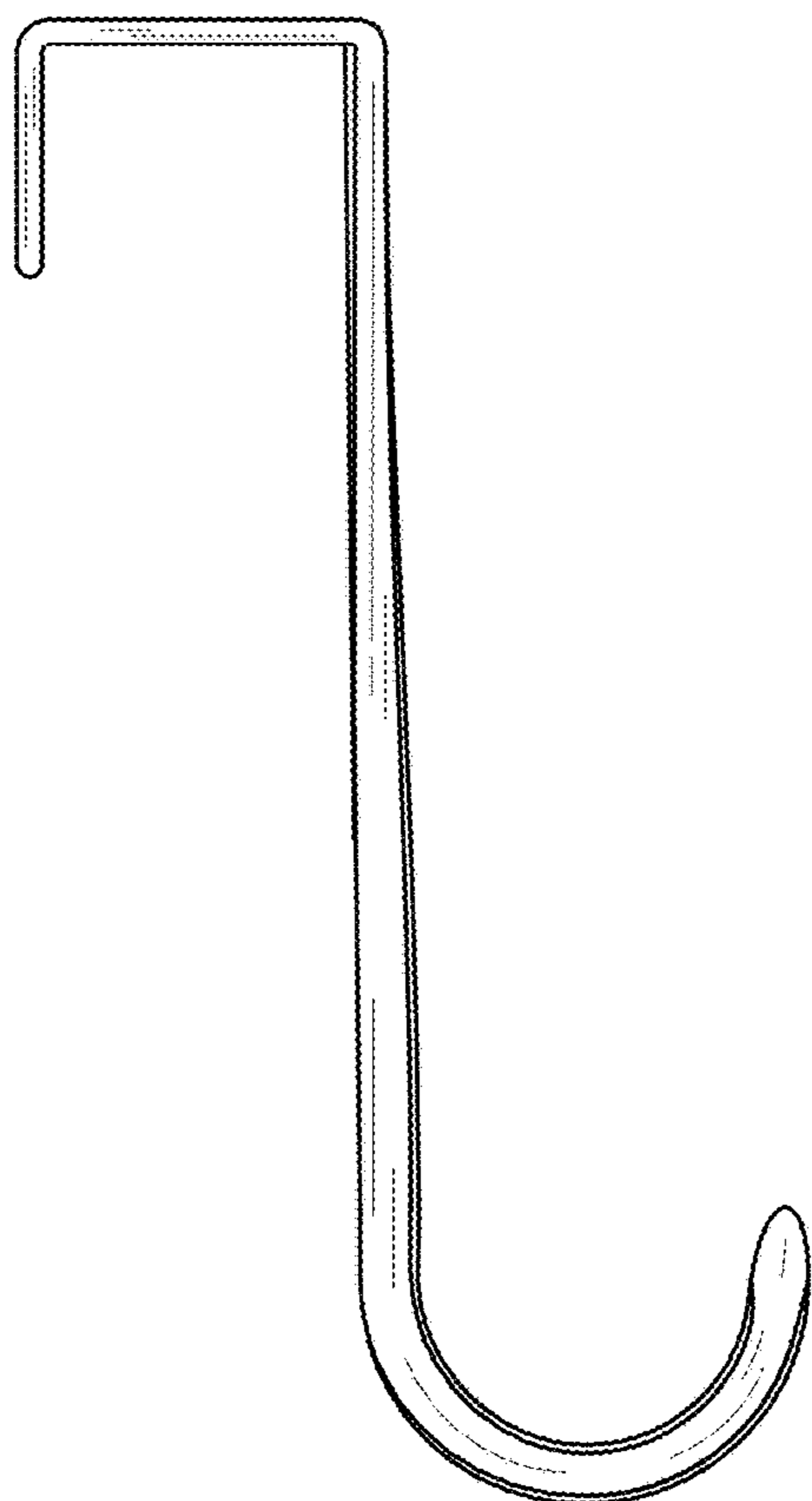


FIG. 6

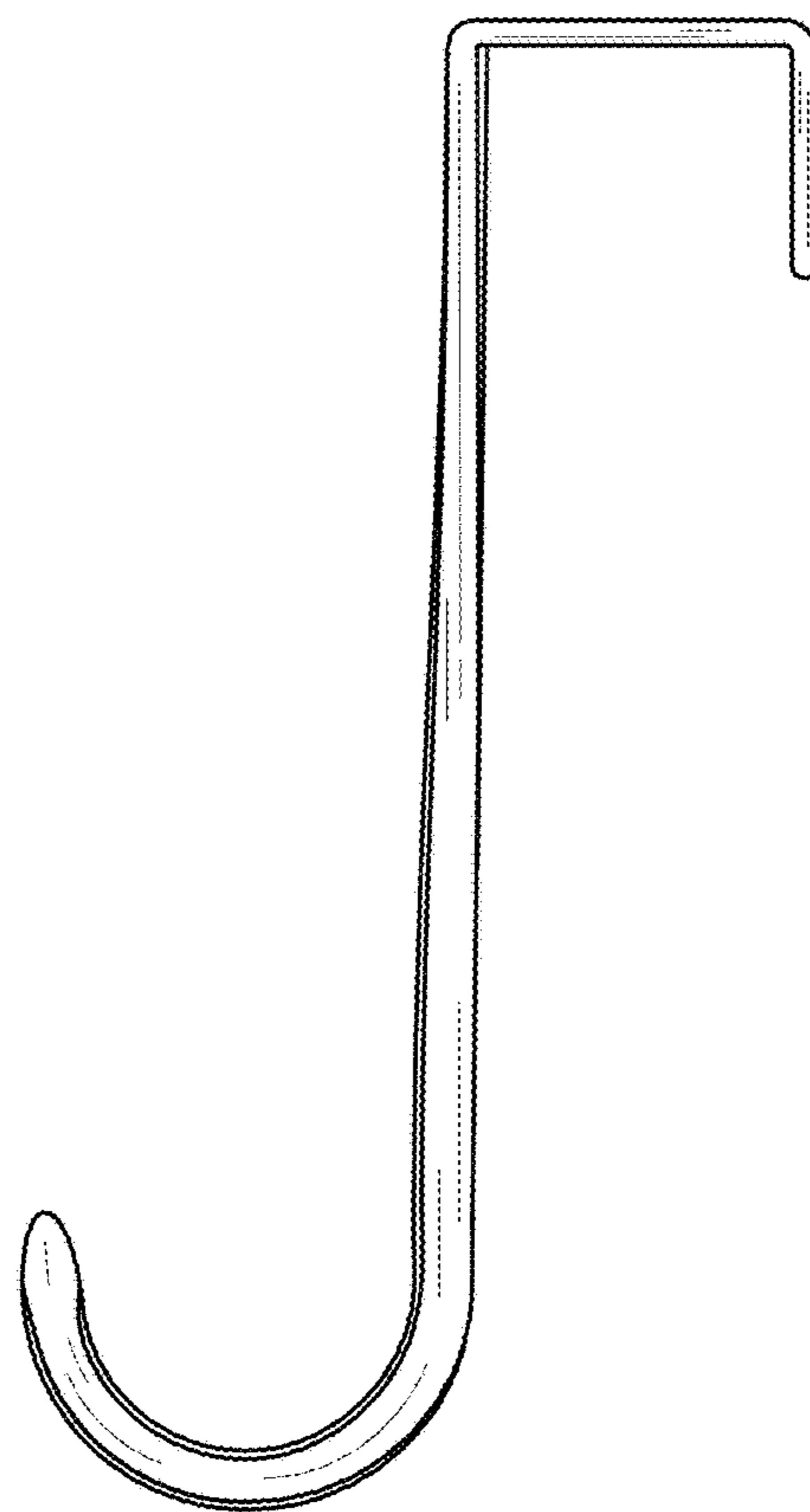


FIG. 7