



US00D819429S

(12) **United States Design Patent** (10) **Patent No.:** **US D819,429 S**
Newing et al. (45) **Date of Patent:** **** Jun. 5, 2018**

(54) **ROPE VISE TENSIONER**

OTHER PUBLICATIONS

(71) Applicant: **Checkmate Lifting & Safety Ltd.**,
Sheerness (GB)

UK Search Report from a corresponding United Kingdom patent application dated Feb. 9, 2017, 3 pages.

(72) Inventors: **William Newing**, Sheerness (GB);
Chris Stockbridge, Sheerness (GB);
Oliver Auston, Sheerness (GB)

Primary Examiner — Cynthia Underwood

(74) *Attorney, Agent, or Firm* — Burr & Brown, PLLC

(73) Assignee: **Checkmate Lifting & Safety Ltd.**,
Sheerness (GB)

(57) **CLAIM**

The ornamental design for a rope vise tensioner, as shown and described.

(**) Term: **15 Years**

DESCRIPTION

(21) Appl. No.: **29/594,344**

FIG. 1 is a first perspective view of a first embodiment of a rope vise tensioner in accordance with my new design;

(22) Filed: **Feb. 17, 2017**

FIG. 2 is a top view thereof;

(30) **Foreign Application Priority Data**

FIG. 3 is a bottom side view thereof;

Aug. 17, 2016 (EM) 003344142-0001

FIG. 4 is a back side view thereof;

(51) **LOC (11) Cl.** **09-06**

FIG. 5 is a front view thereof;

(52) **U.S. Cl.**

FIG. 6 is a left side view thereof;

USPC **D8/356**

FIG. 7 is a right side view thereof;

(58) **Field of Classification Search**

FIG. 8 is a second reference view thereof;

USPC D8/356, 354, 349

FIG. 9 is a first perspective view of the rope vise tensioner in accordance with my new design, with the arm in an extended position;

CPC B65H 57/16; E02D 5/803; B63B 21/045;

FIG. 10 is a second perspective view of the rope vise tensioner in accordance with my new design, with a pivotable arm in an extended position;

B63B 59/02; B60D 1/18; B60P 1/103;

FIG. 11 is a first perspective view of the rope vise tensioner in accordance with my new design, with a movable structure in a retracted position and with the pivotable arm in an extended position;

Y10T 24/3918; H02G 7/12

FIG. 12 is a second perspective view of the rope vise tensioner in accordance with my new design, with the movable structure in a retracted position and with the pivotable arm in an extended position;

See application file for complete search history.

FIG. 13 is a perspective view of a second embodiment of a rope vise tensioner in accordance with my new design; and, FIG. 14 is a perspective view of the rope vise tensioner of the first embodiment in accordance with my new design, with the movable structure in a retracted position.

(56) **References Cited**

U.S. PATENT DOCUMENTS

D362,614 S * 9/1995 Kingery D8/360

5,957,432 A 9/1999 Ostrobrod

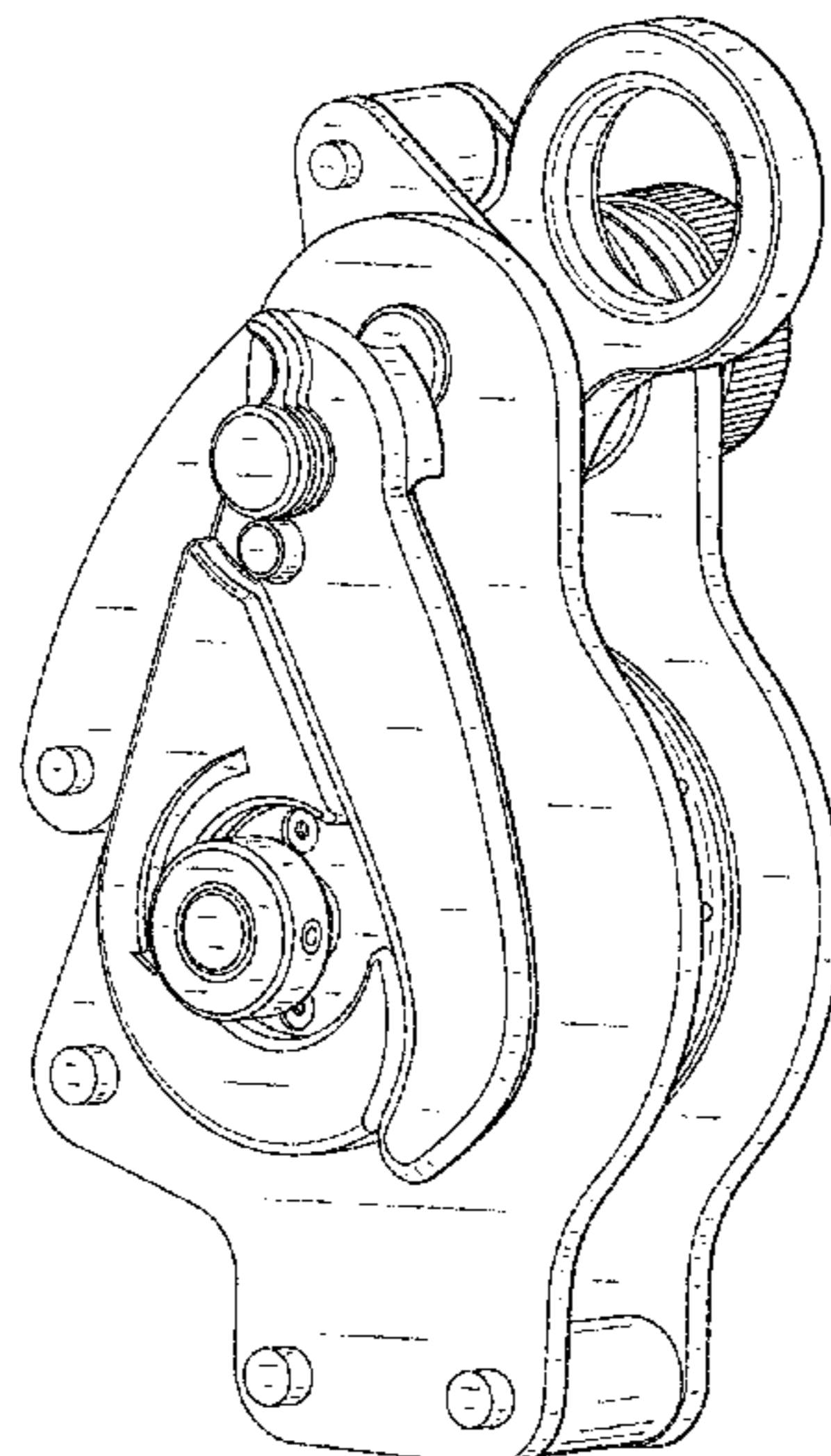
(Continued)

FOREIGN PATENT DOCUMENTS

JP S59-14648 U 1/1984

JP S64-3351 A 1/1989

1 Claim, 14 Drawing Sheets



(56)

References Cited

U.S. PATENT DOCUMENTS

6,843,346 B2 *	1/2005	LeBeau	A62B 1/14	2006/0096067 A1 *	5/2006	Fontaine	F16G 11/103
			182/192				24/130
D572,099 S *	7/2008	Fontaine	D8/356	2014/0054109 A1 *	2/2014	Barnett	A62B 1/14
D586,001 S *	2/2009	Petzl	D25/69				182/5
D597,822 S *	8/2009	Olsen	D8/356	2014/0123439 A1 *	5/2014	Bacon	F16G 11/106
D650,260 S *	12/2011	Petzl	D8/356				24/134 KB
D658,487 S *	5/2012	Chih	D8/360	2014/0138191 A1 *	5/2014	Chabod et al.	A62B 1/14
8,225,905 B2 *	7/2012	Delaittre	A62B 1/14				188/65.1
			182/190	2014/0174850 A1 *	6/2014	Paglioli	A62B 1/14
D687,700 S *	8/2013	Petzl	D8/360				182/5
D708,931 S *	7/2014	Petzl	D8/356	2014/0196984 A1 *	7/2014	Chabod et al.	A62B 1/14
D722,487 S *	2/2015	Miller	D8/356				182/18
D736,603 S *	8/2015	Petzl	D8/356	2014/0262611 A1 *	9/2014	Oddou et al.	A62B 1/14
D746,125 S *	12/2015	Miller	D8/356				182/5
D753,467 S *	4/2016	Taing	D8/356	2014/0311834 A1 *	10/2014	Lawton et al.	A62B 1/14
D770,882 S *	11/2016	Petzl	D8/356				188/65.2
				2016/0059055 A1 *	3/2016	Roth	A62B 35/0081
							182/36
				2017/0197116 A1 *	7/2017	Merritt	A63B 29/024

* cited by examiner

FIG. 1

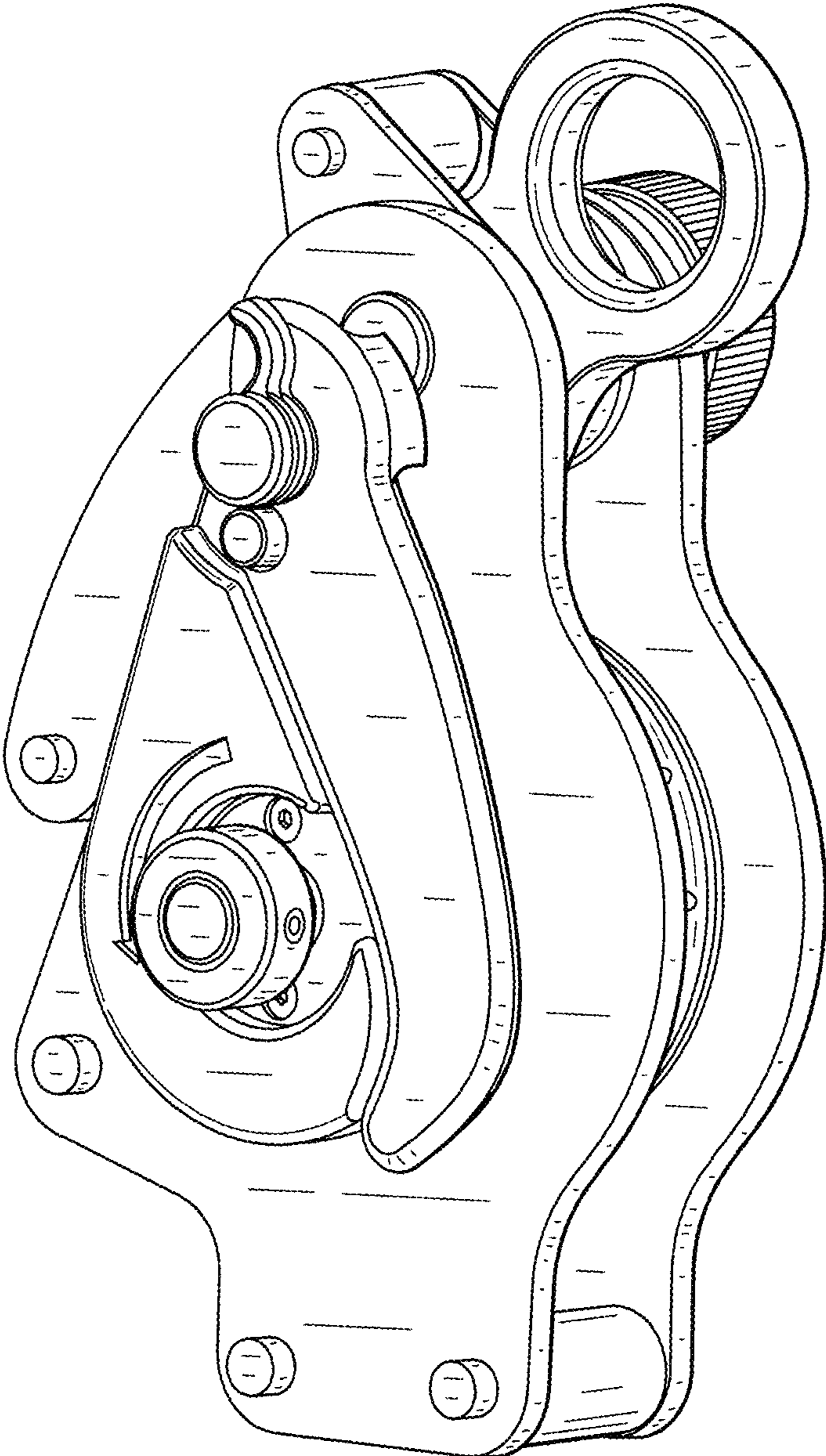


FIG. 2

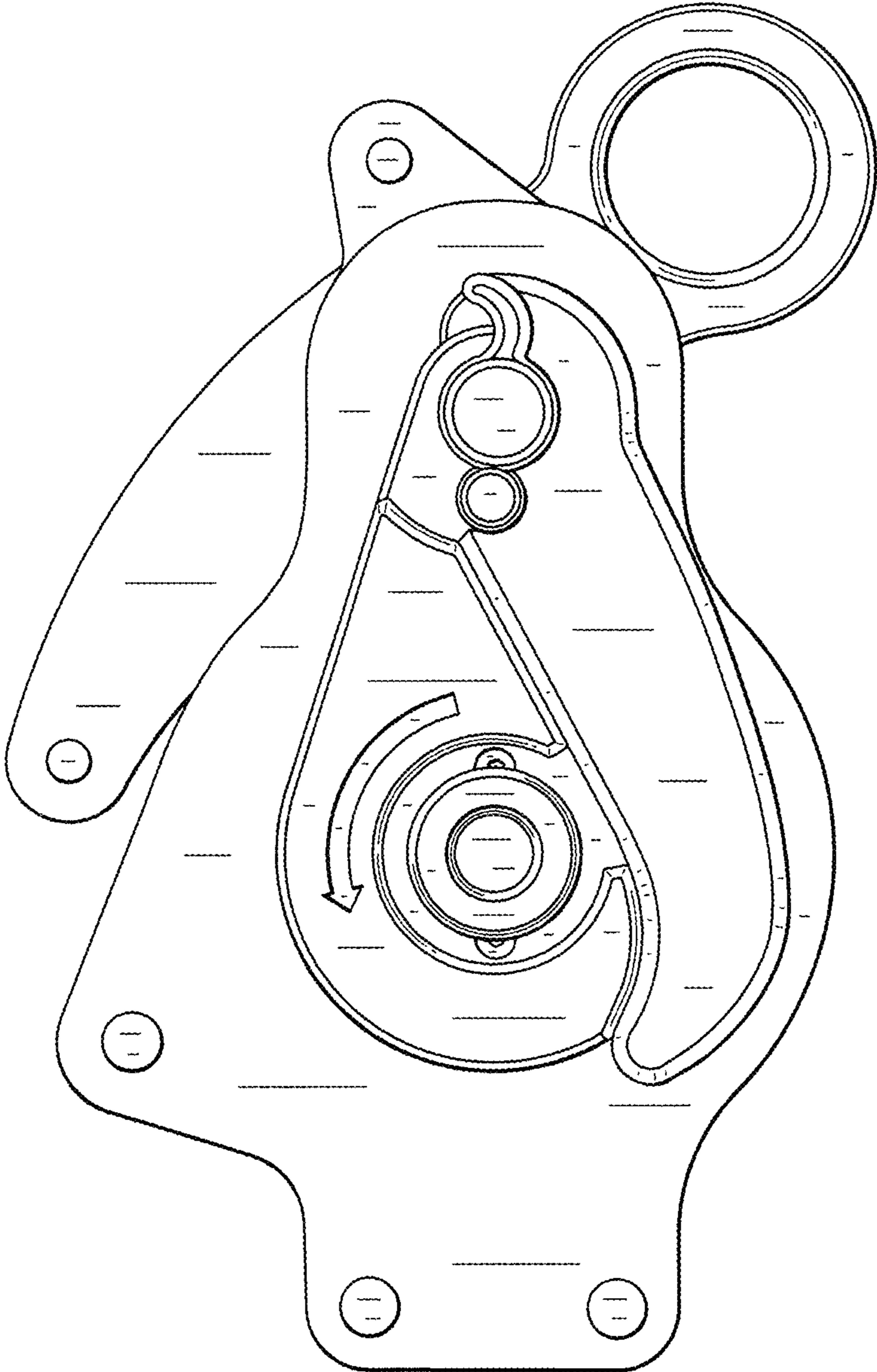


FIG. 3

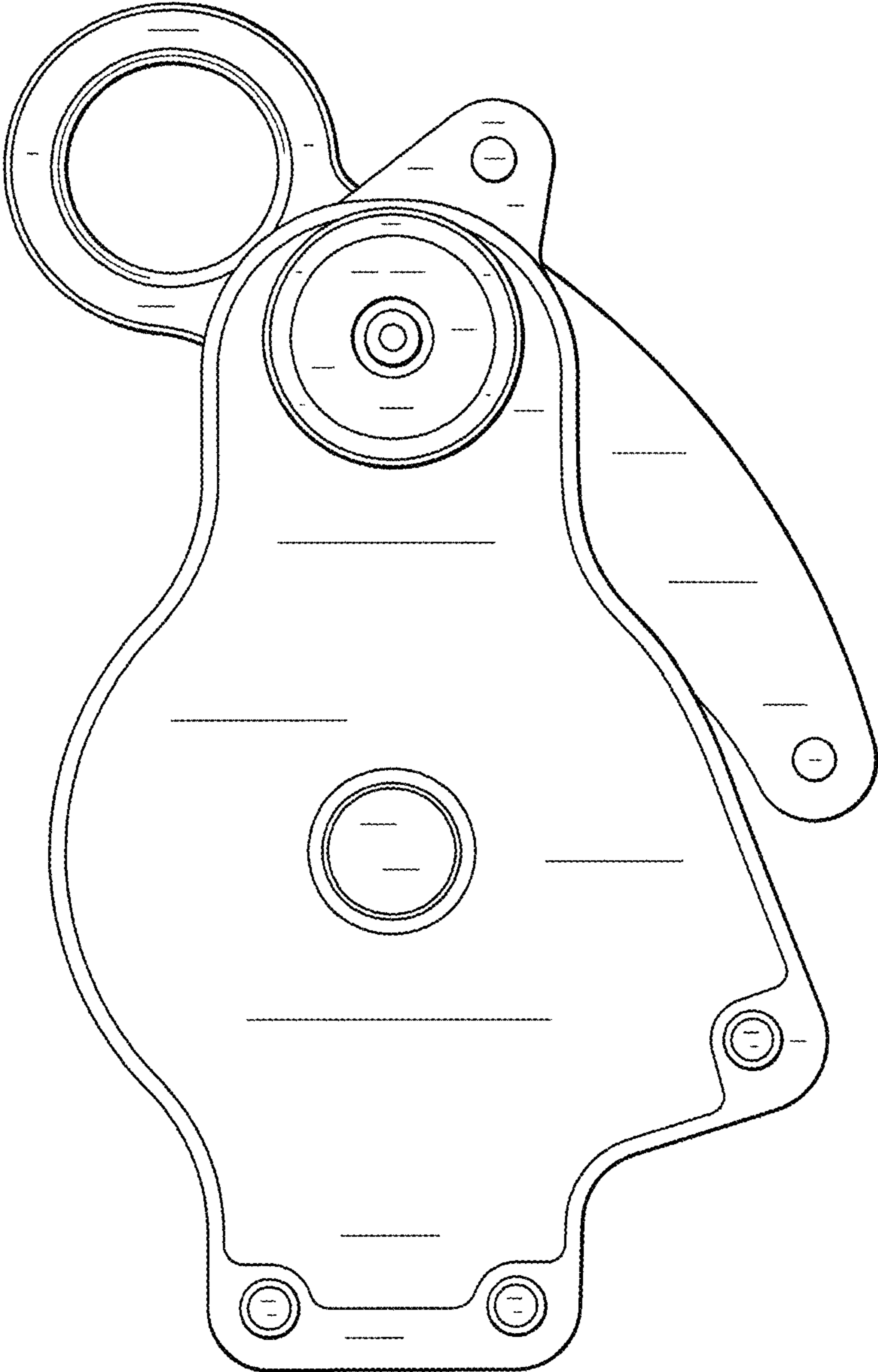


FIG. 4

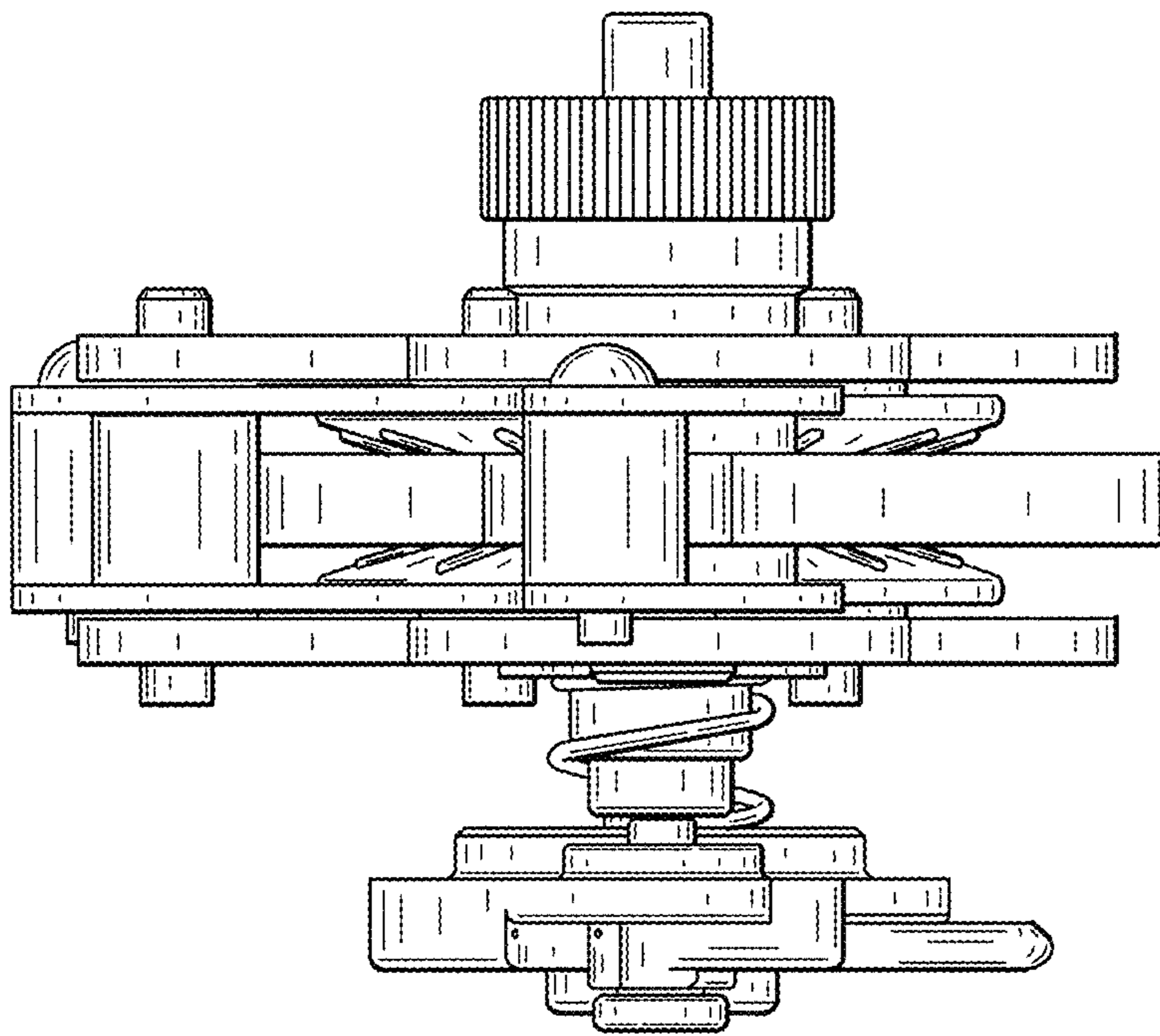


FIG. 5

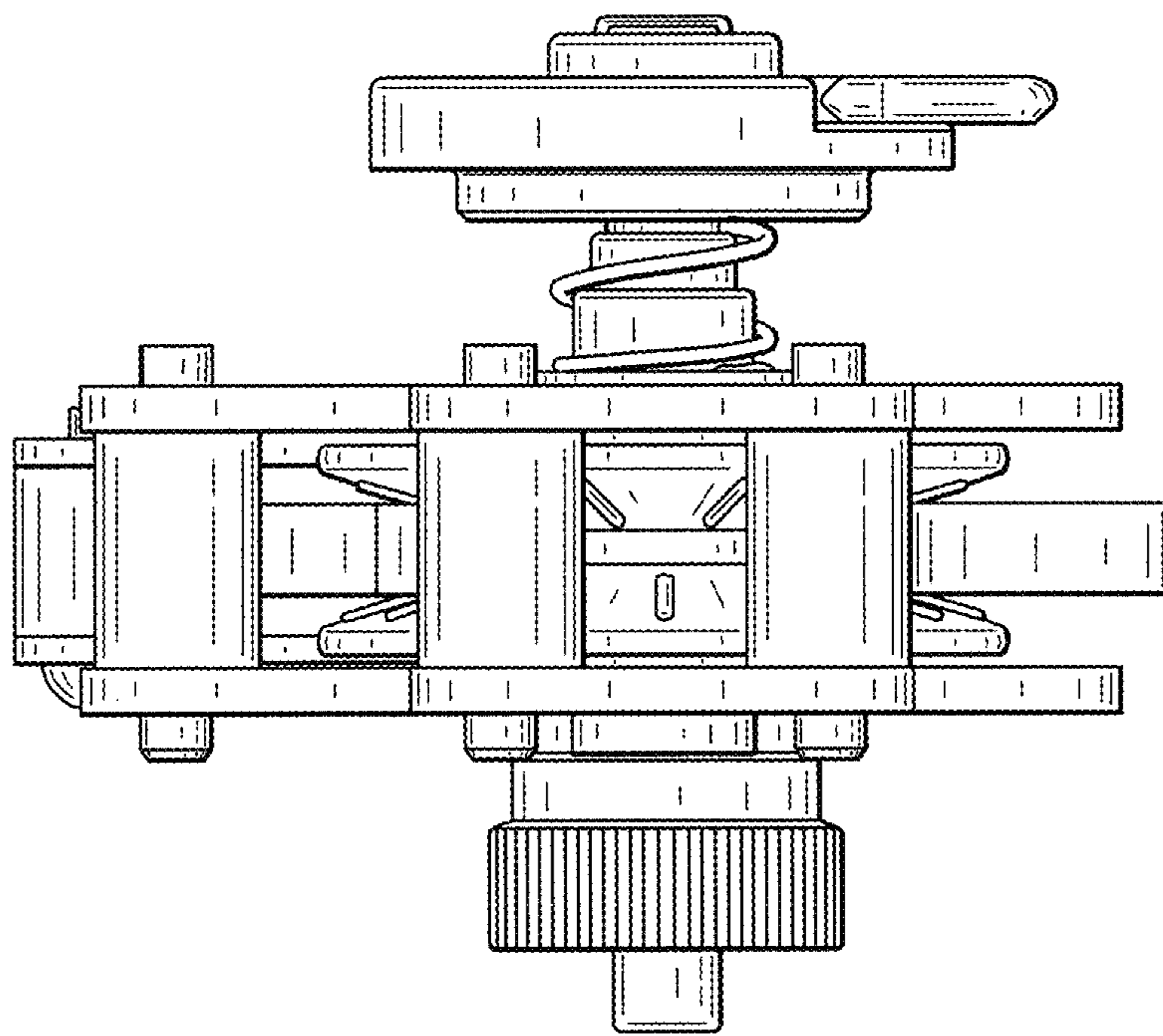


FIG. 6

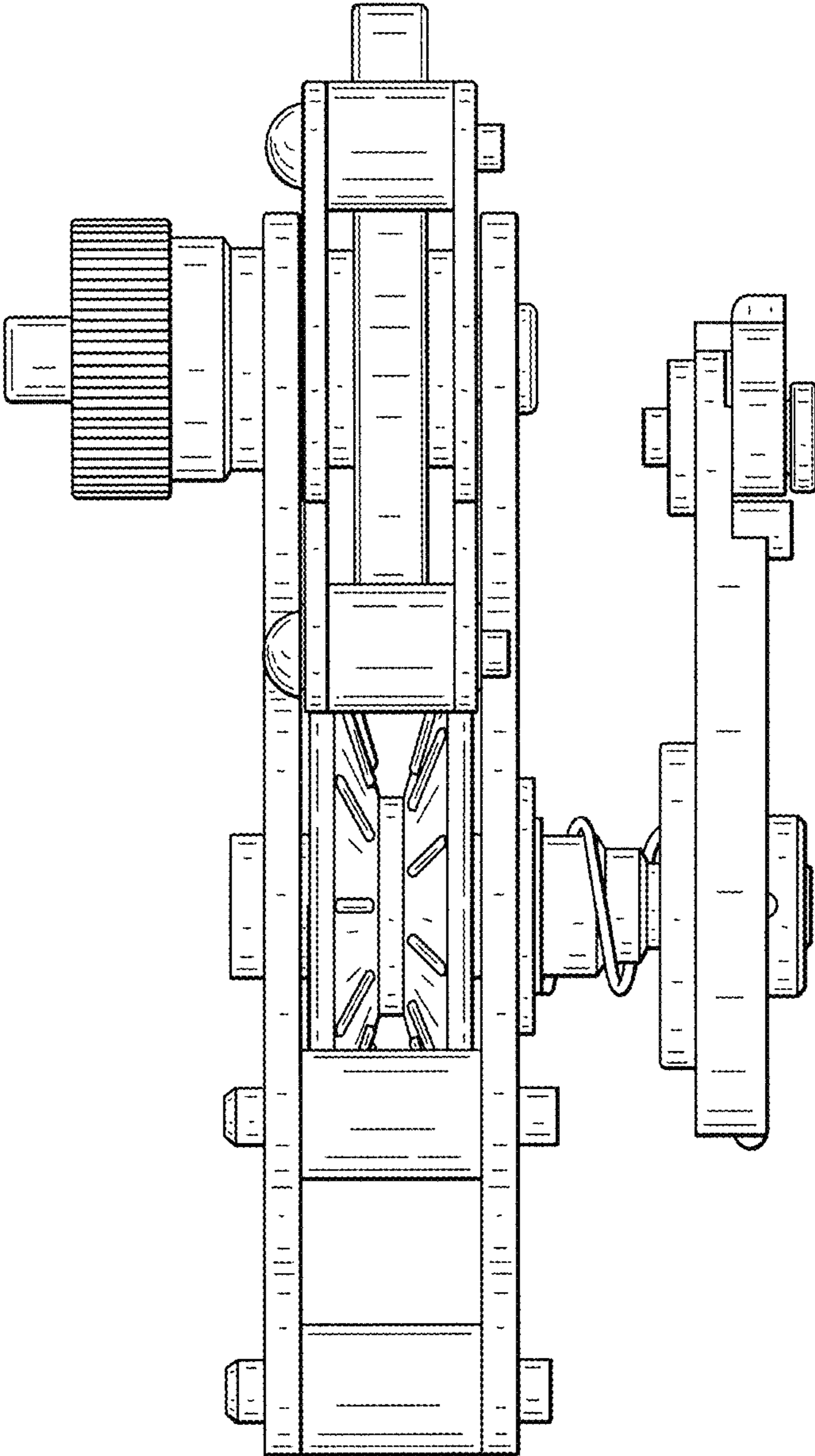


FIG. 7

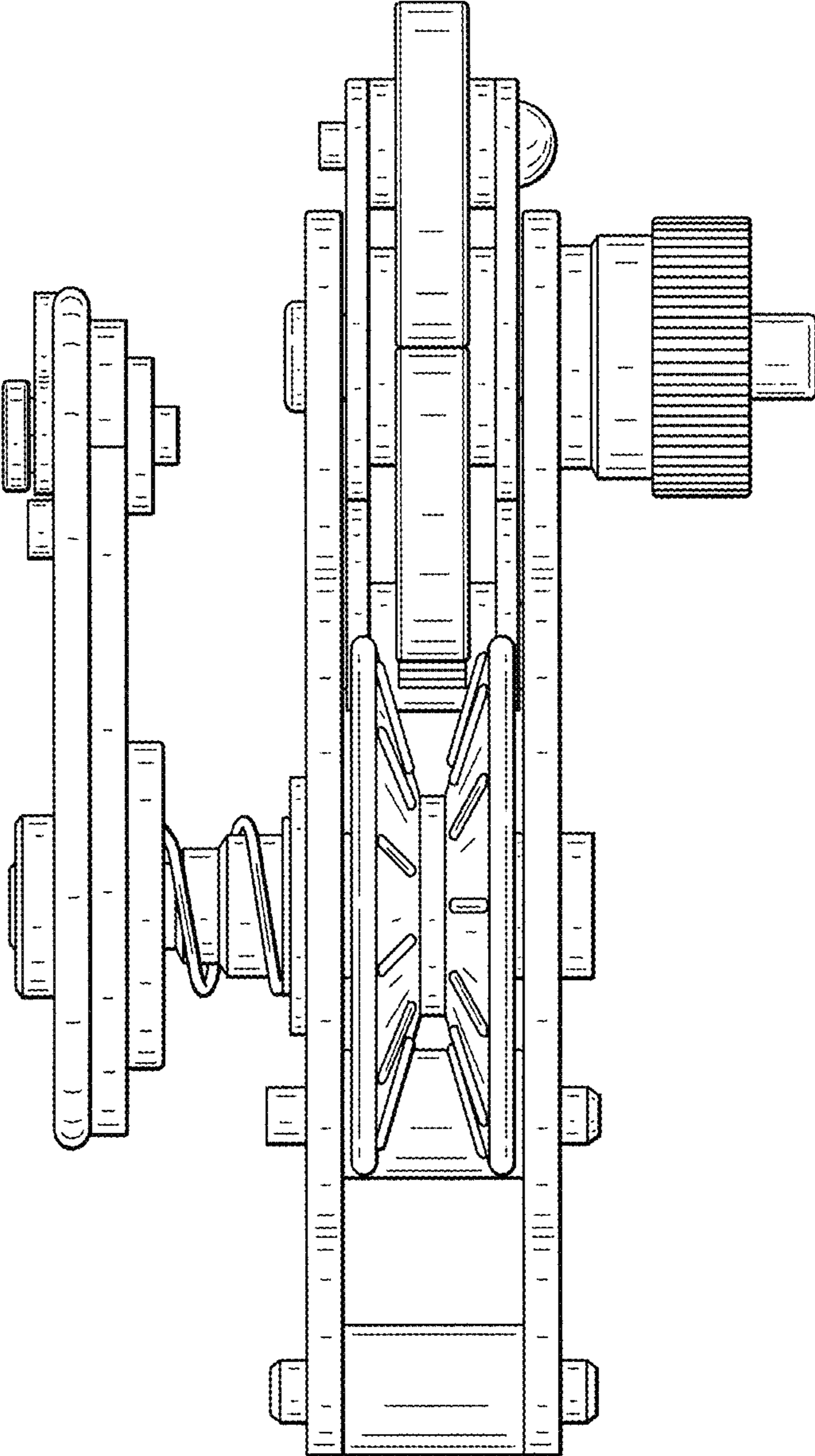


FIG. 8

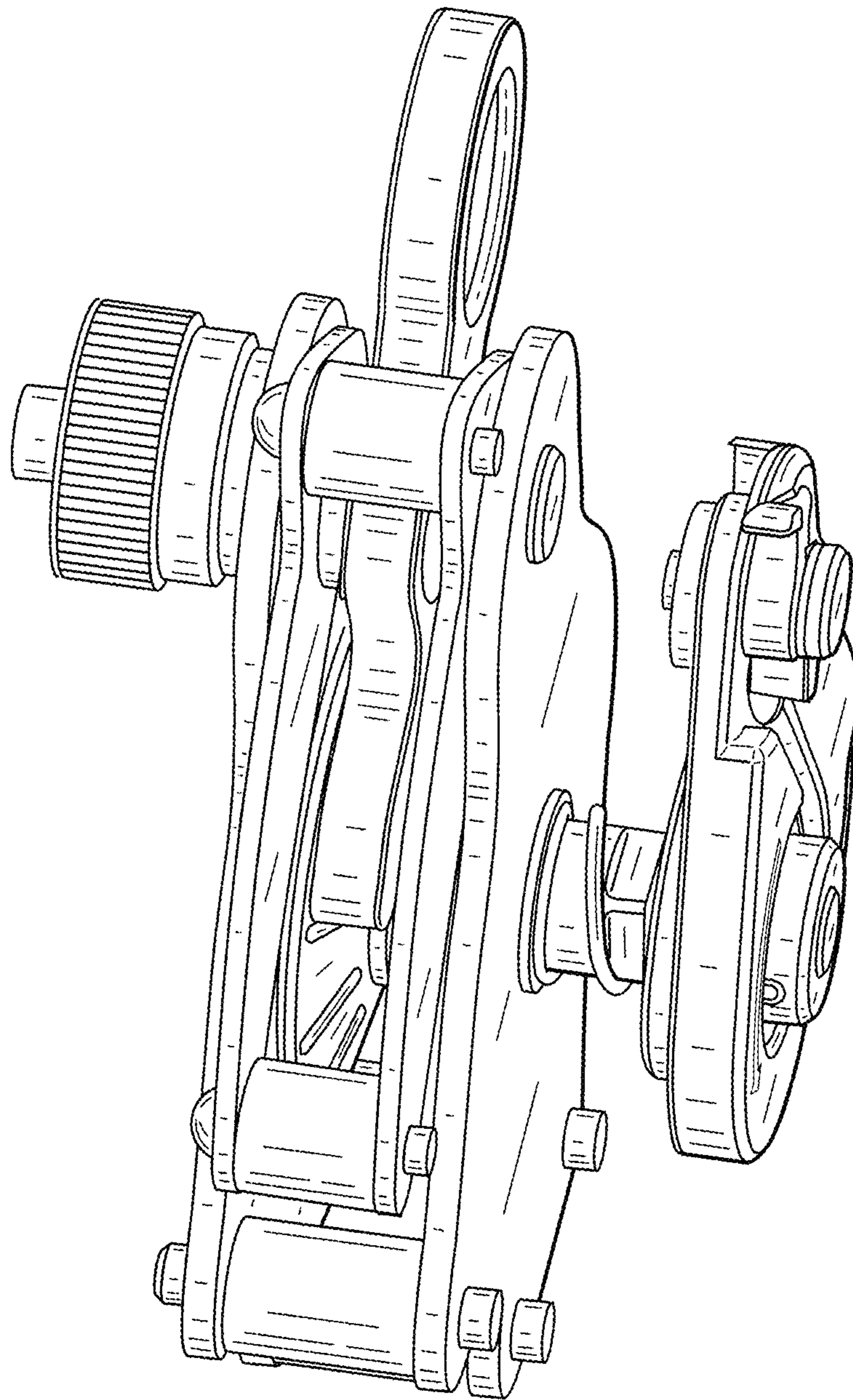


FIG. 9

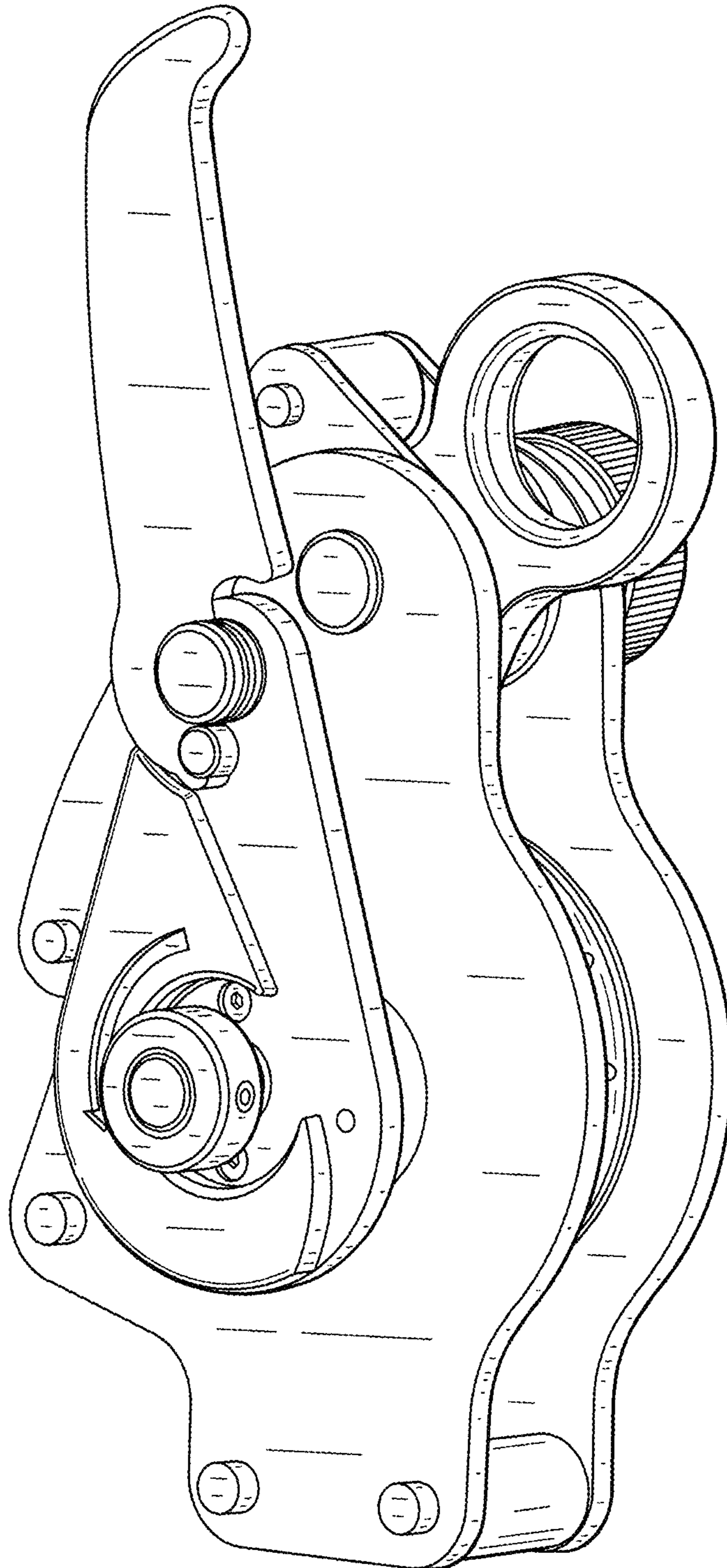


FIG. 10

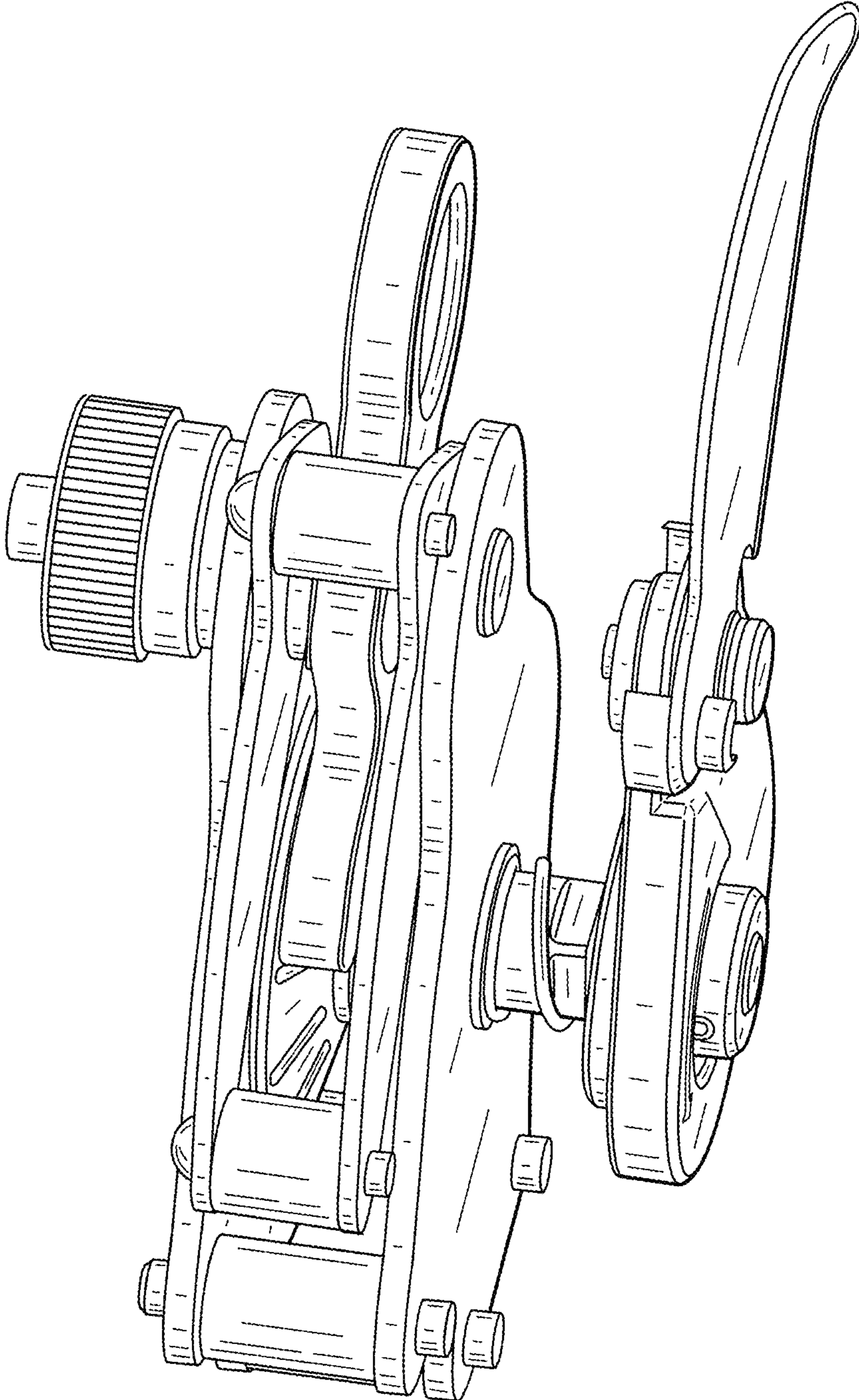


FIG. 11

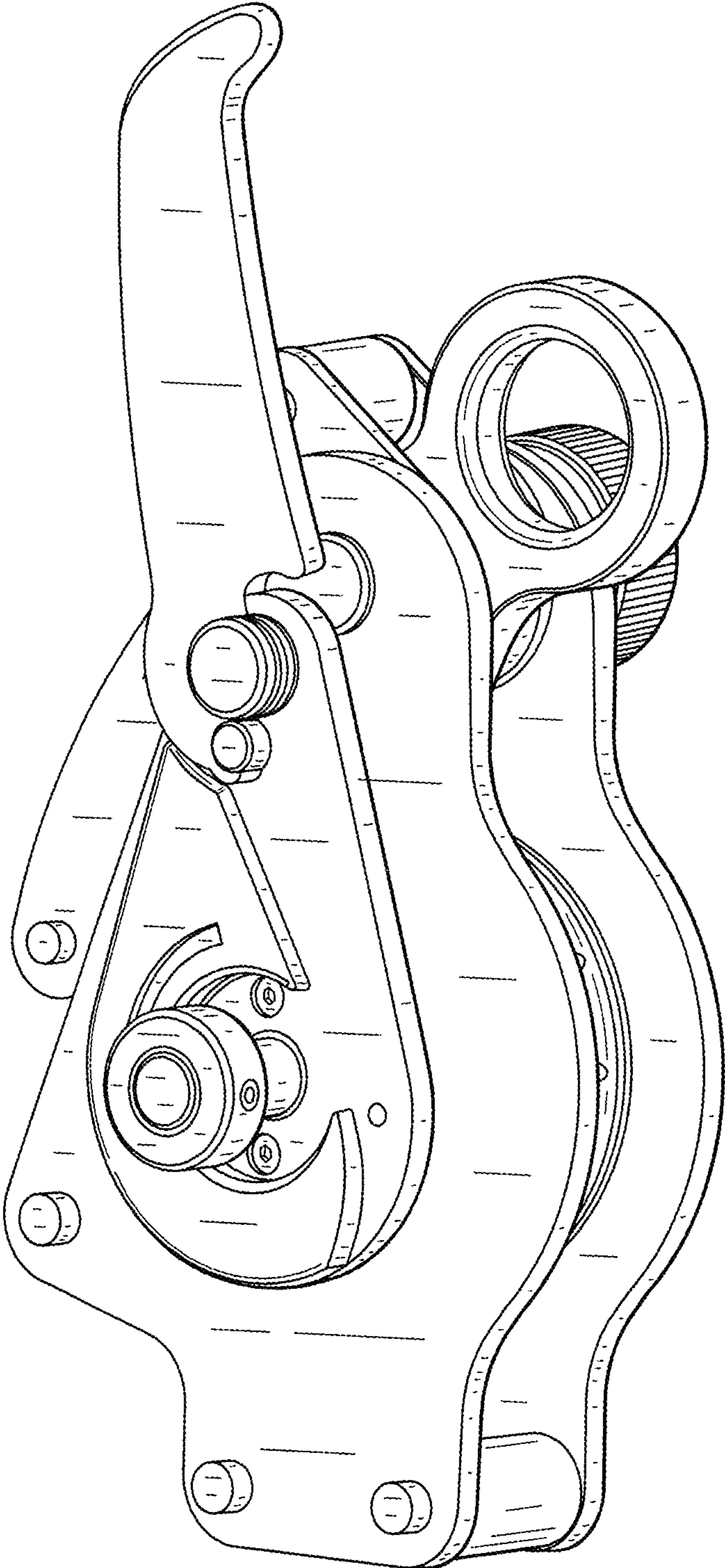


FIG. 12

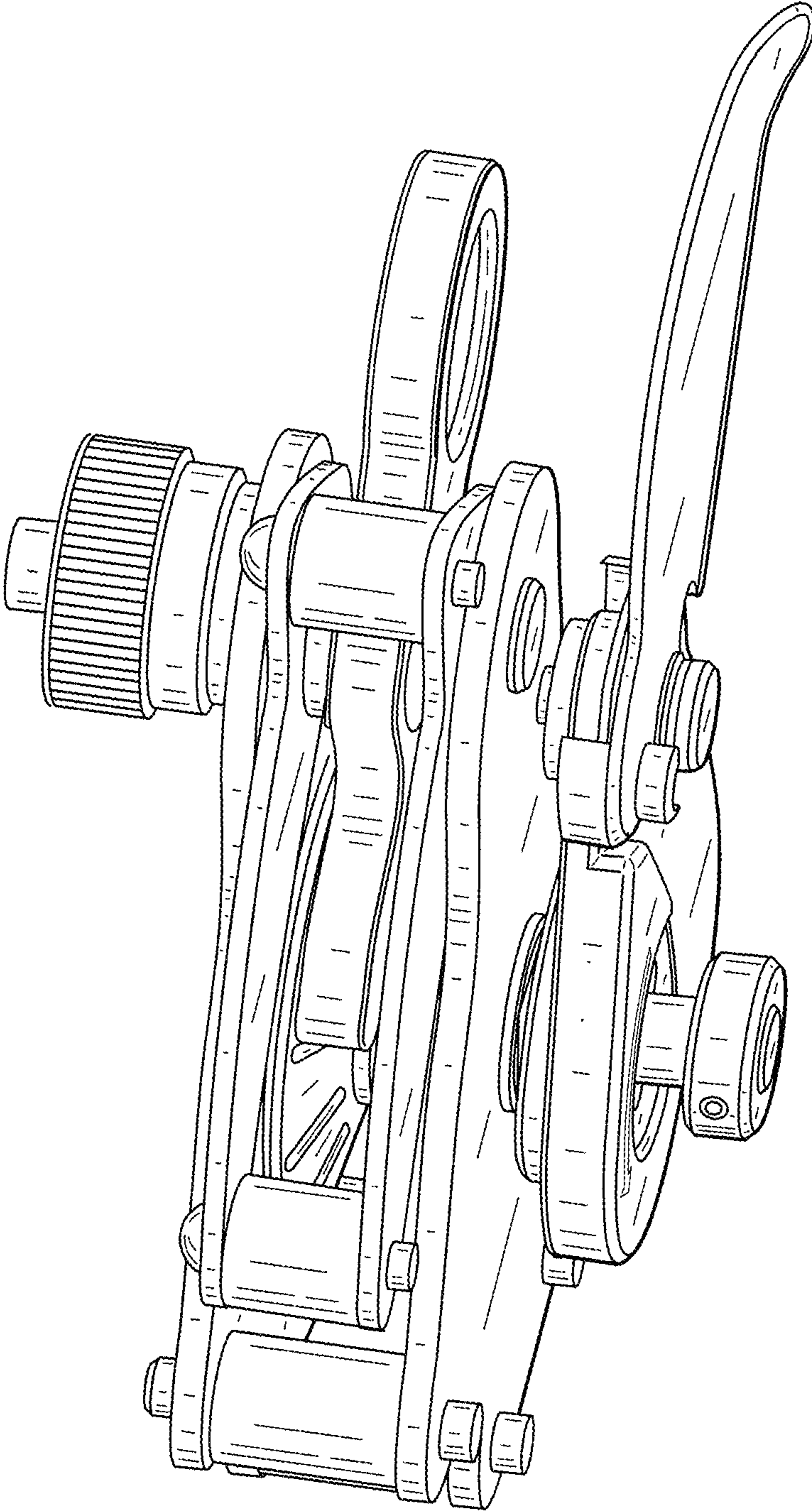


FIG. 13

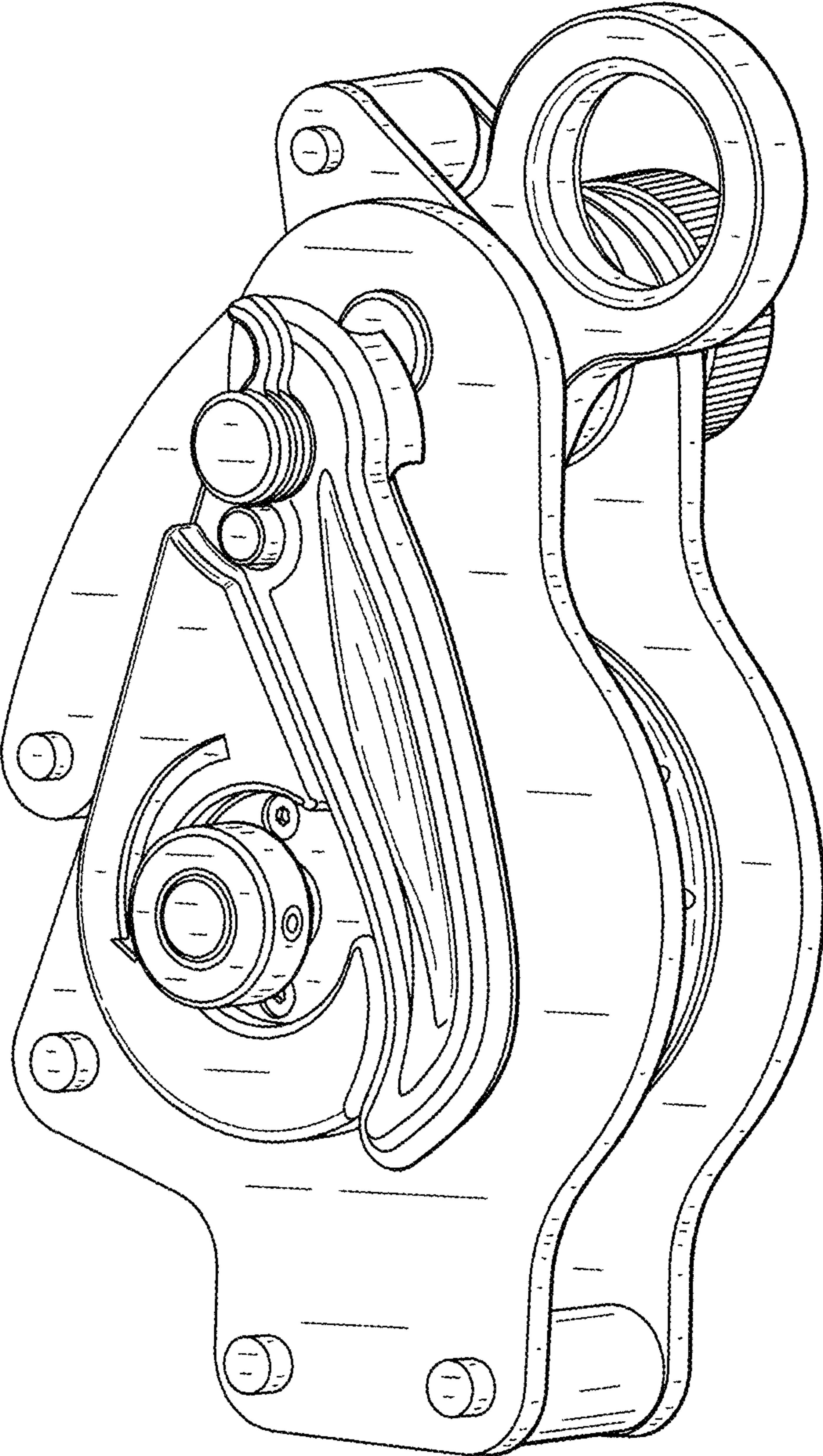


FIG. 14

