



US00D819428S

(12) **United States Design Patent**
Ng et al.

(10) **Patent No.:** **US D819,428 S**
(45) **Date of Patent:** **** Jun. 5, 2018**

(54) **HANGER ASSEMBLY FOR WALL-MOUNTED ARTICLES**

(74) *Attorney, Agent, or Firm* — Egan Peterman Enders
Huston

(71) Applicant: **Nielsen & Bainbridge, LLC,**
Wilmington, DE (US)

(57) **CLAIM**

The ornamental design for a hanger assembly for wall-mounted articles, as shown and described.

(72) Inventors: **Kimkie Ng,** Austin, TX (US); **Patrick Pun,** Austin, TX (US); **Randall Ben Faltesek,** Austin, TX (US); **Jamey Yarnall,** Austin, TX (US); **John Fenno,** Austin, TX (US)

DESCRIPTION

(73) Assignee: **Nielsen & Bainbridge, LLC,**
Wilmington, DE (US)

FIG. 1 is a front perspective view of a first embodiment of a hanger assembly for wall-mounted articles showing our new design;

(**) Term: **15 Years**

FIG. 2 is a top plan view of FIG. 1;

(21) Appl. No.: **29/606,228**

FIG. 3 is a front elevational view of FIG. 1;

(22) Filed: **Jun. 2, 2017**

FIG. 4 is a rear elevational view of FIG. 1;

(51) **LOC (11) Cl.** **08-05**

FIG. 5 is a right side elevational view of FIG. 1;

(52) **U.S. Cl.**

FIG. 6 is a left side elevational view of FIG. 1;

USPC **D8/354**

FIG. 7 is a bottom plan view of FIG. 1;

(58) **Field of Classification Search**

USPC D08/354, 376, 16, 17, 19, 37, 47, 71, 89,
D08/101, 363, 373, 377, 390, 391, 404;

FIG. 8 is a front perspective view of a second embodiment of a hanger assembly for wall-mounted articles showing our new design;

(Continued)

FIG. 9 is a top plan view of FIG. 8;

(56) **References Cited**

U.S. PATENT DOCUMENTS

D139,216 S * 10/1944 Spanholtz D8/391
D235,308 S * 6/1975 Clarke 248/494

(Continued)

FIG. 10 is a front elevational view of FIG. 8;

FIG. 11 is a rear elevational view of FIG. 8;

FIG. 12 is a right side elevational view of FIG. 8;

FIG. 13 is a left side elevational view of FIG. 8;

FIG. 14 is a bottom plan view of FIG. 8;

FIG. 15 is a front perspective view of a third embodiment of a hanger assembly for wall-mounted articles showing our new design;

FIG. 16 is a top plan view of FIG. 15;

FIG. 17 is a front elevational view of FIG. 15;

FIG. 18 is a rear elevational view of FIG. 15;

FIG. 19 is a right side elevational view of FIG. 15;

FIG. 20 is a left side elevational view of FIG. 15;

FIG. 21 is a bottom plan view of FIG. 15;

FIG. 22 is a front perspective view of a fourth embodiment of a hanger assembly for wall-mounted articles showing our new design;

FIG. 23 is a top plan view of FIG. 22;

FIG. 24 is a front elevational view of FIG. 22;

FIG. 25 is a rear elevational view of FIG. 22;

FIG. 26 is a right side elevational view of FIG. 22;

(Continued)

HP Quick Release Kit ****New Retail****, EM870AA, posted Jul. 6, 2011, [retrieved Mar. 12, 2018]. Retrieved from Internet, <URL: <https://www.amazon.it/HP-Quick-Release-Retail-EM870AA/dp/B000FBLNYG> >.*

(Continued)

Primary Examiner — Barbara Fox
Assistant Examiner — Kristin E Reed

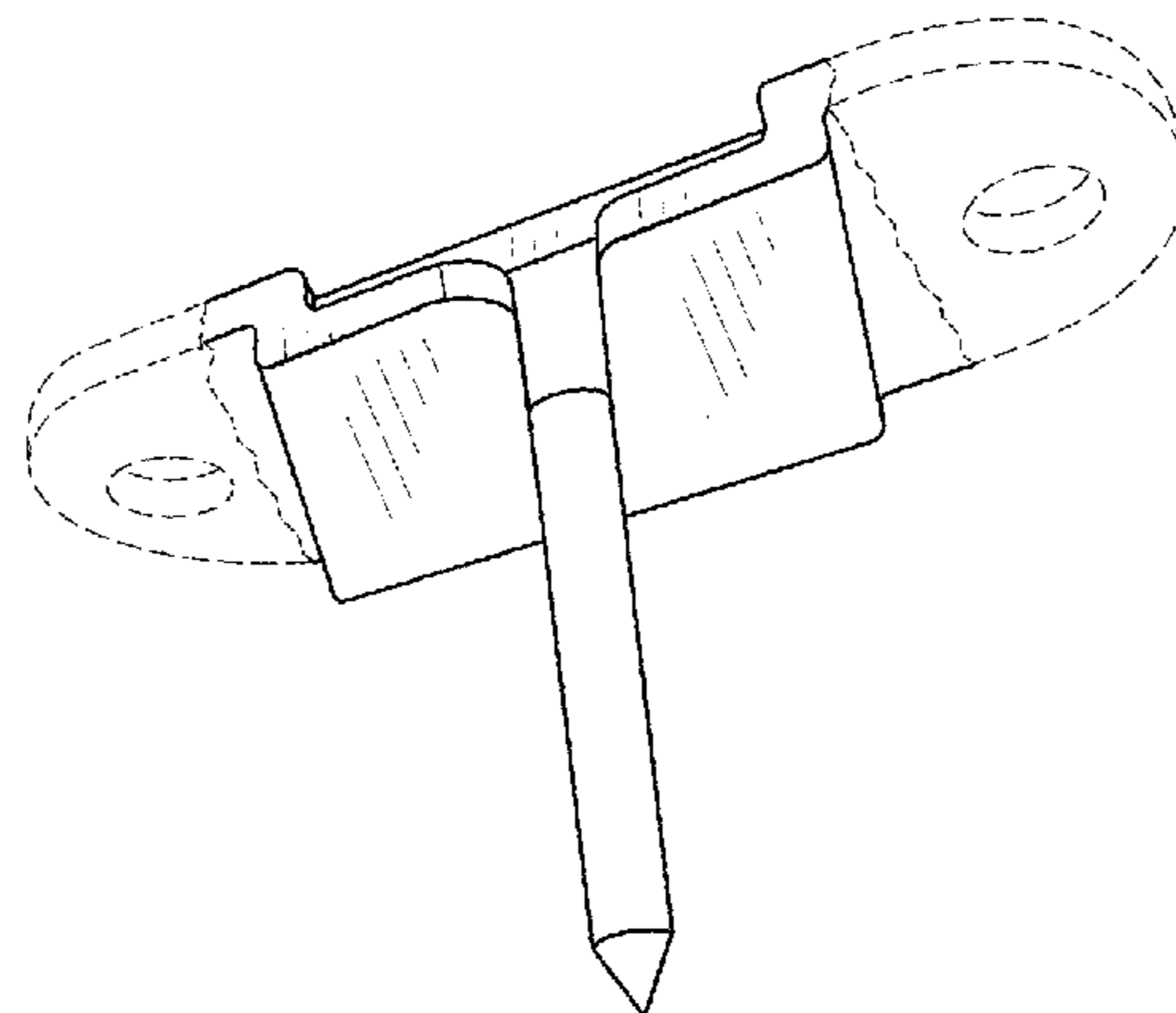
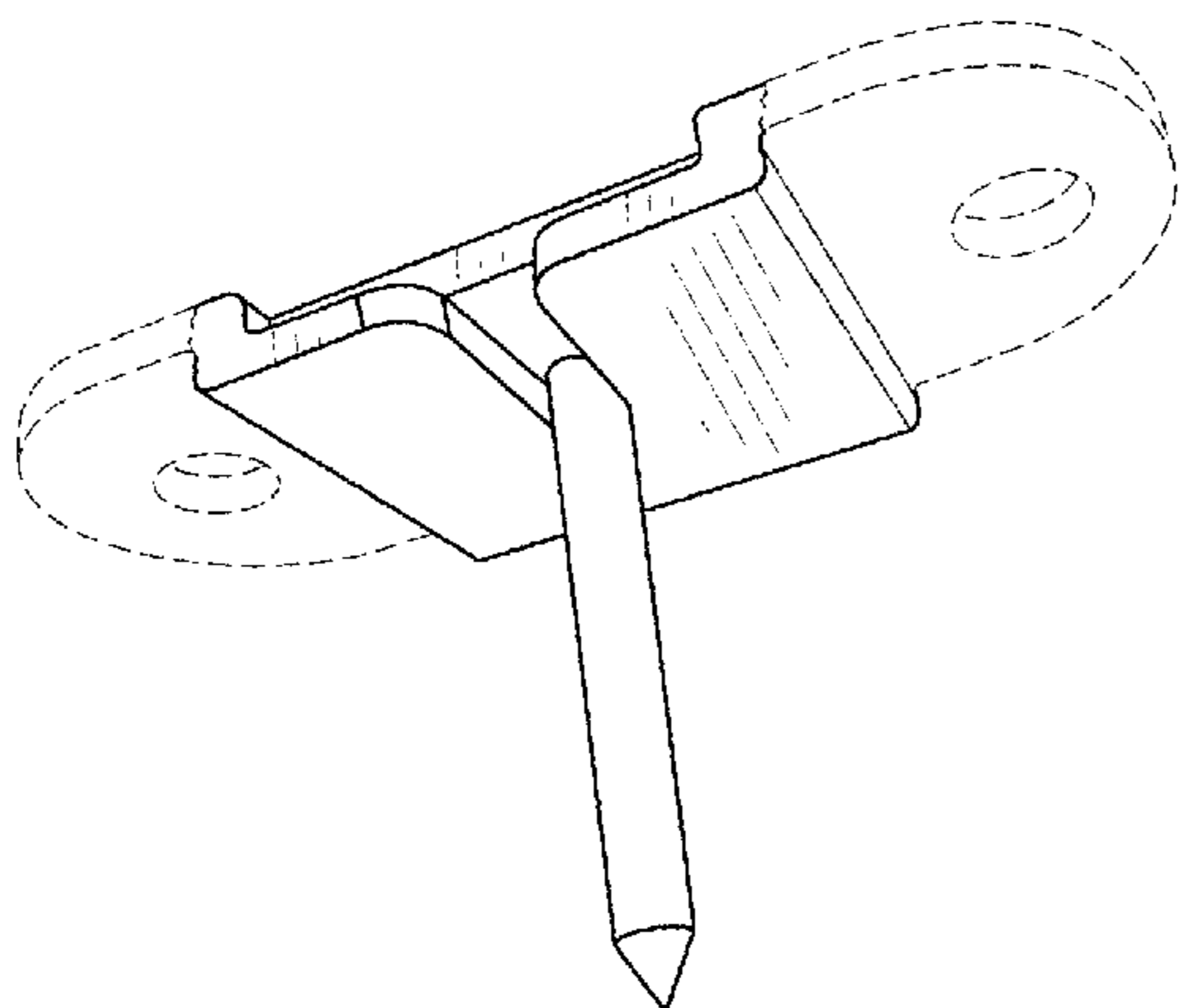


FIG. 27 is a left side elevational view of FIG. 22; and, FIG. 28 is a bottom plan view of FIG. 22.

The broken lines depict portions of the hanger assembly for wall-mounted articles and form no part of the claimed design.

1 Claim, 12 Drawing Sheets

(58) **Field of Classification Search**

USPC D06/512, 524, 528, 534, 672, 680.1, D06/680.2, 705.7, 708.25; D25/38.1, D25/119, 122, 123
CPC A47G 33/004; A47H 1/00; A47H 13/00; A47H 15/00; B44C 1/18; B44C 5/02; B44C 5/04; B44C 5/0415; E01B 11/00

See application file for complete search history.

(56) **References Cited**

U.S. PATENT DOCUMENTS

D243,190	S	*	1/1977	Knutsson	D23/364
D244,508	S	*	5/1977	Neece	D8/354
D246,346	S	*	11/1977	Strunk	D8/354
4,132,335	A	*	1/1979	Ingram	B60R 9/045 224/324
D262,688	S	*	1/1982	Nilsson	D8/354
D272,211	S	*	1/1984	Rock	D8/323
D295,369	S	*	4/1988	Niwa	174/138 D
D324,991	S	*	3/1992	Gary	D8/354

D329,192	S	*	9/1992	Susac	D8/349
5,850,954	A	*	12/1998	Dong-Joo	H04M 1/04 224/197
D409,663	S	*	5/1999	Wagner	D19/65
D410,032	S	*	5/1999	Wagner	D19/65
D414,207	S	*	9/1999	Wagner	D19/65
D428,058	S	*	7/2000	Wagner	D19/65
D452,081	S	*	12/2001	Rowan	D6/300
D492,187	S	*	6/2004	Mottini	D8/354
D547,637	S	*	7/2007	Blacker	D8/354
D560,221	S	*	1/2008	Hoglan	D14/451
D572,117	S	*	7/2008	Daun	D8/354
D572,122	S	*	7/2008	Cave	D8/373
D623,046	S	*	9/2010	Murphy	D8/367
D704,035	S	*	5/2014	Wills	D8/355
D732,929	S	*	6/2015	Harrow	D8/354
D753,982	S	*	4/2016	Guirlinger	D8/349

OTHER PUBLICATIONS

Quick Release Grey Lcd Tv Vesa Wall Bracket, posted Mar. 25, 2015, [retrieved Mar. 12, 2018]. Retrieved from Internet, <URL: <https://www.caravanstuff4u.co.uk/tv-satellite-accessories/569-quick-release-grey-lcd-tv-vesa-wall-bracket-5029833751403.html> >.*

No Stud? No Problem!: NoStud Drywall Picture Hanger, posted Jan. 28, 2012, [retrieved Mar. 12, 2018]. Retrieved from Internet, <URL: <https://homefixated.com/no-stud-picture-hanger/> >.*

SpringLOCK Security Picture Fixings, posted unknown, [retrieved Mar. 12, 2018]. Retrieved from Internet, <URL: <https://www.springlock.co.uk/> >.*

* cited by examiner

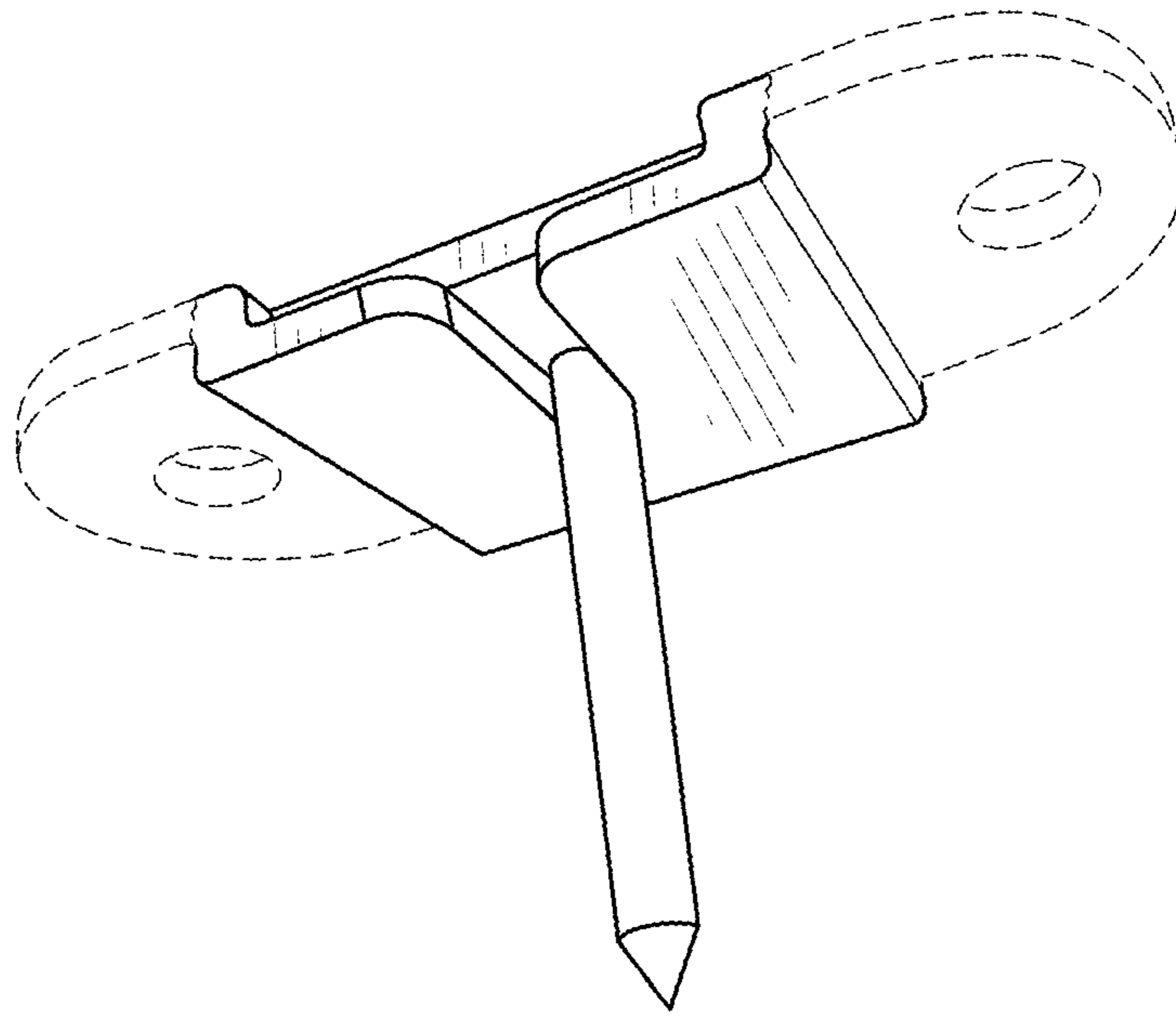


FIG. 1

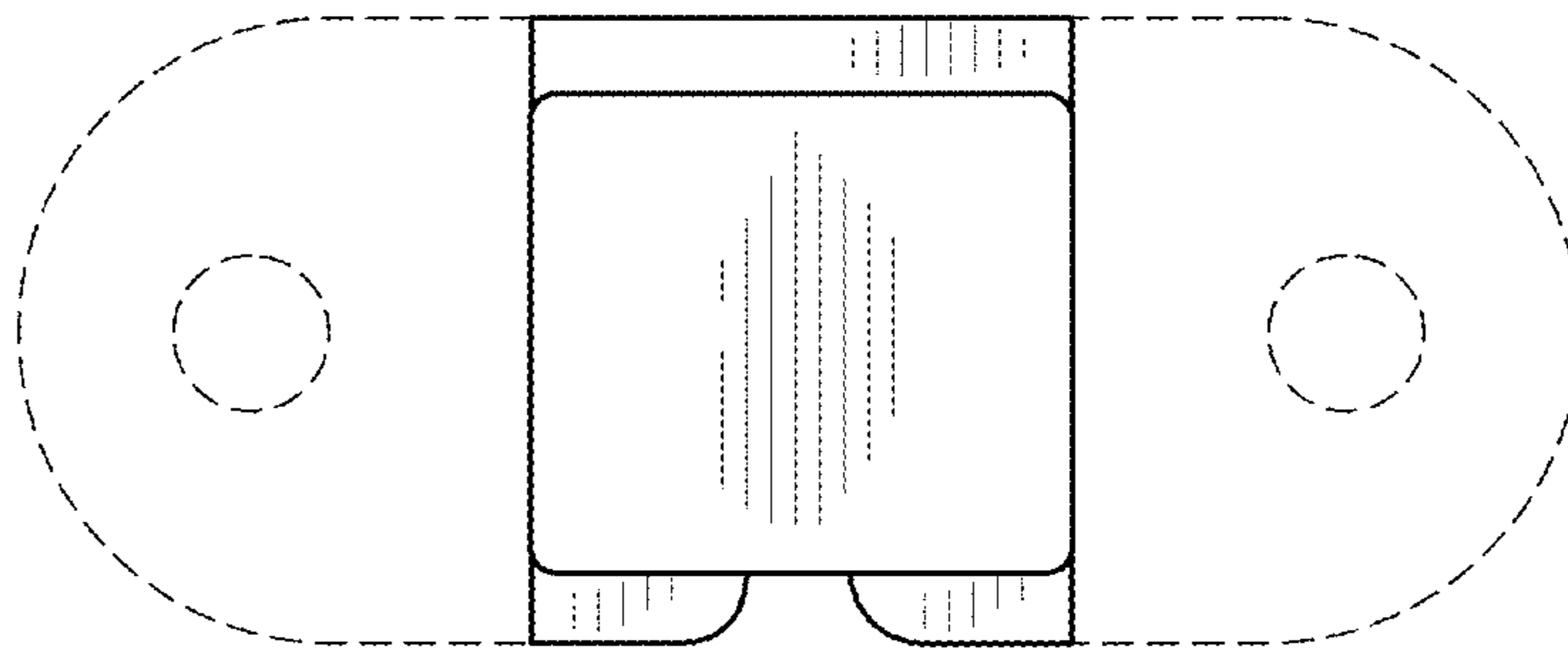


FIG. 2

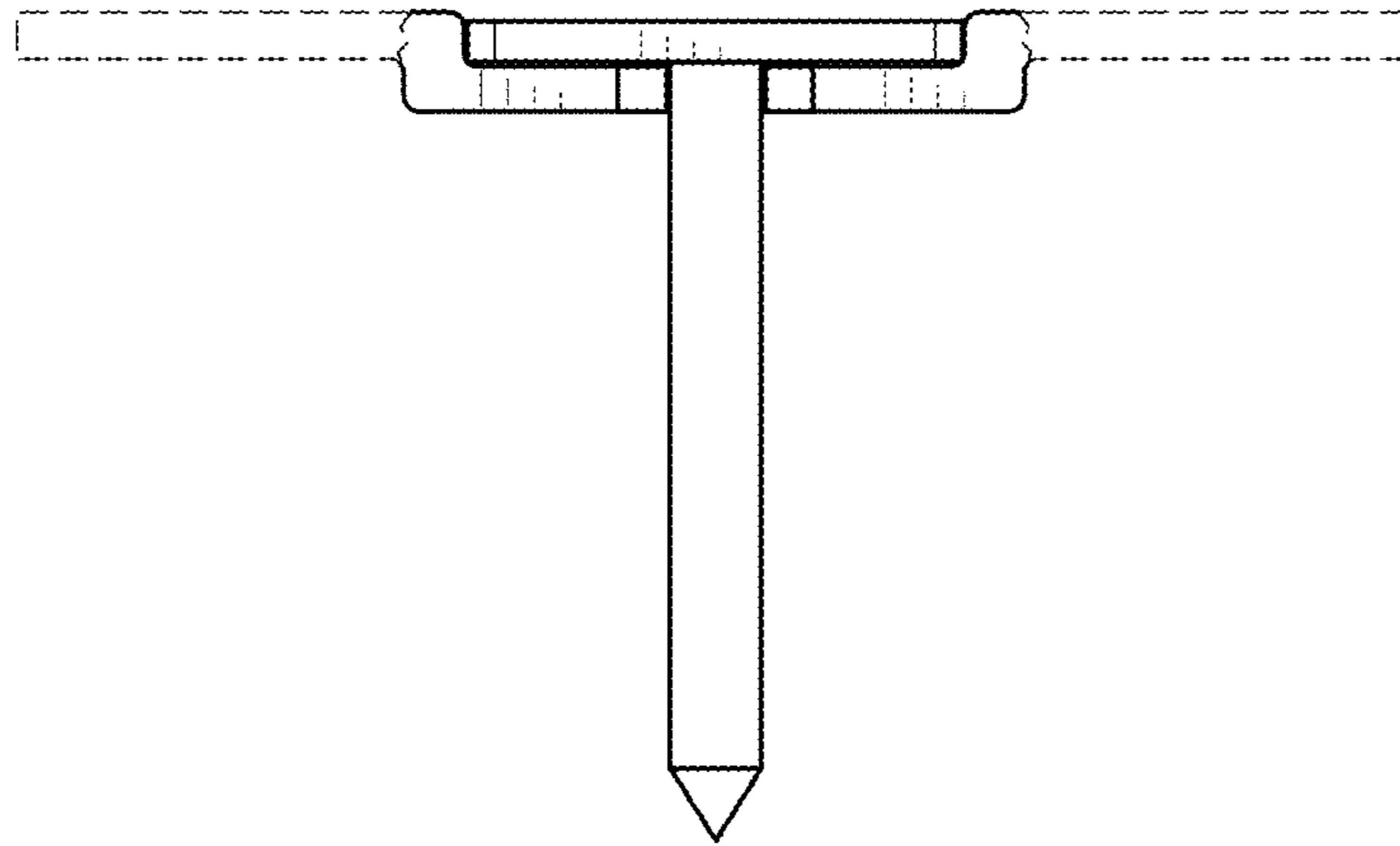


FIG. 3

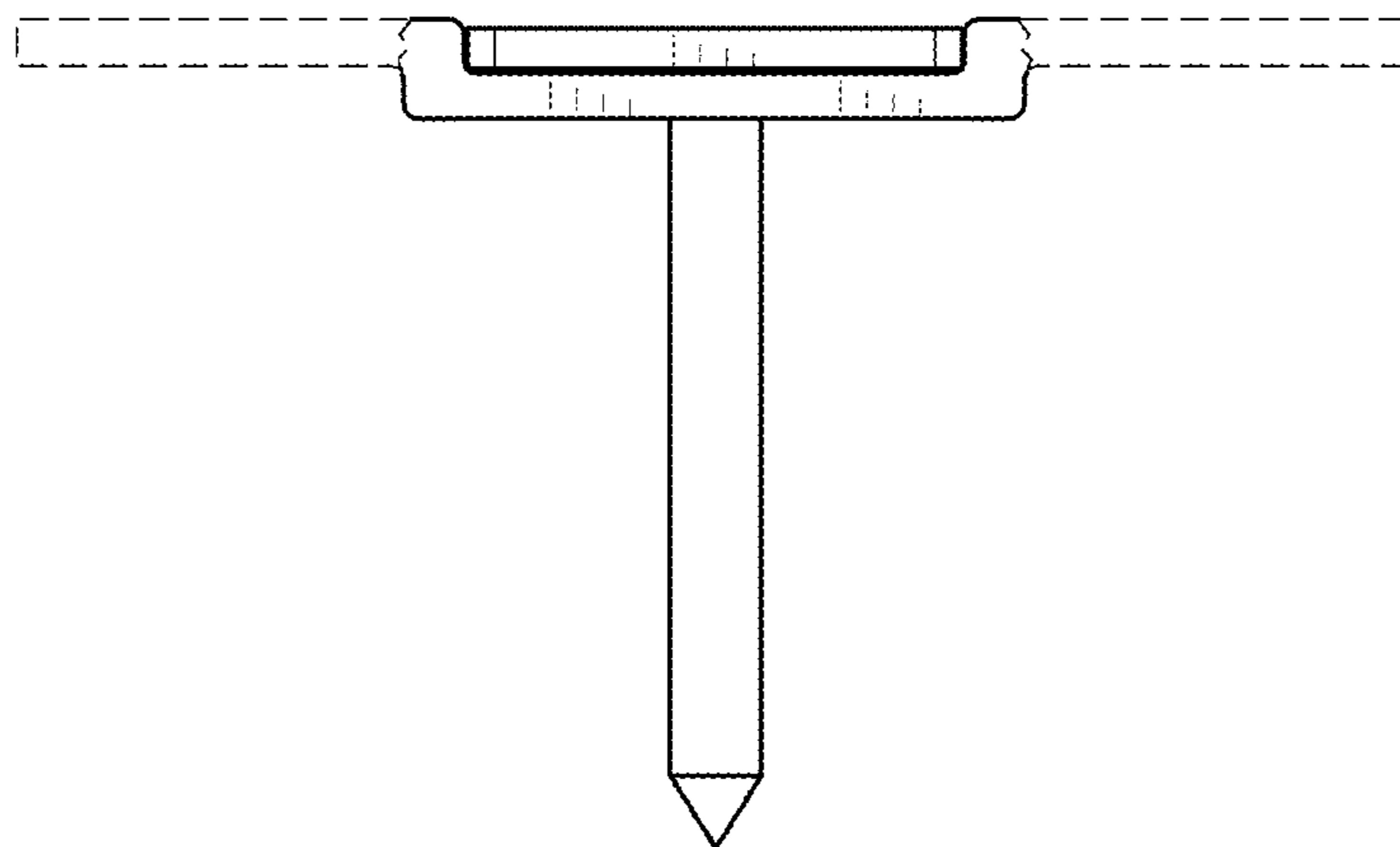


FIG. 4

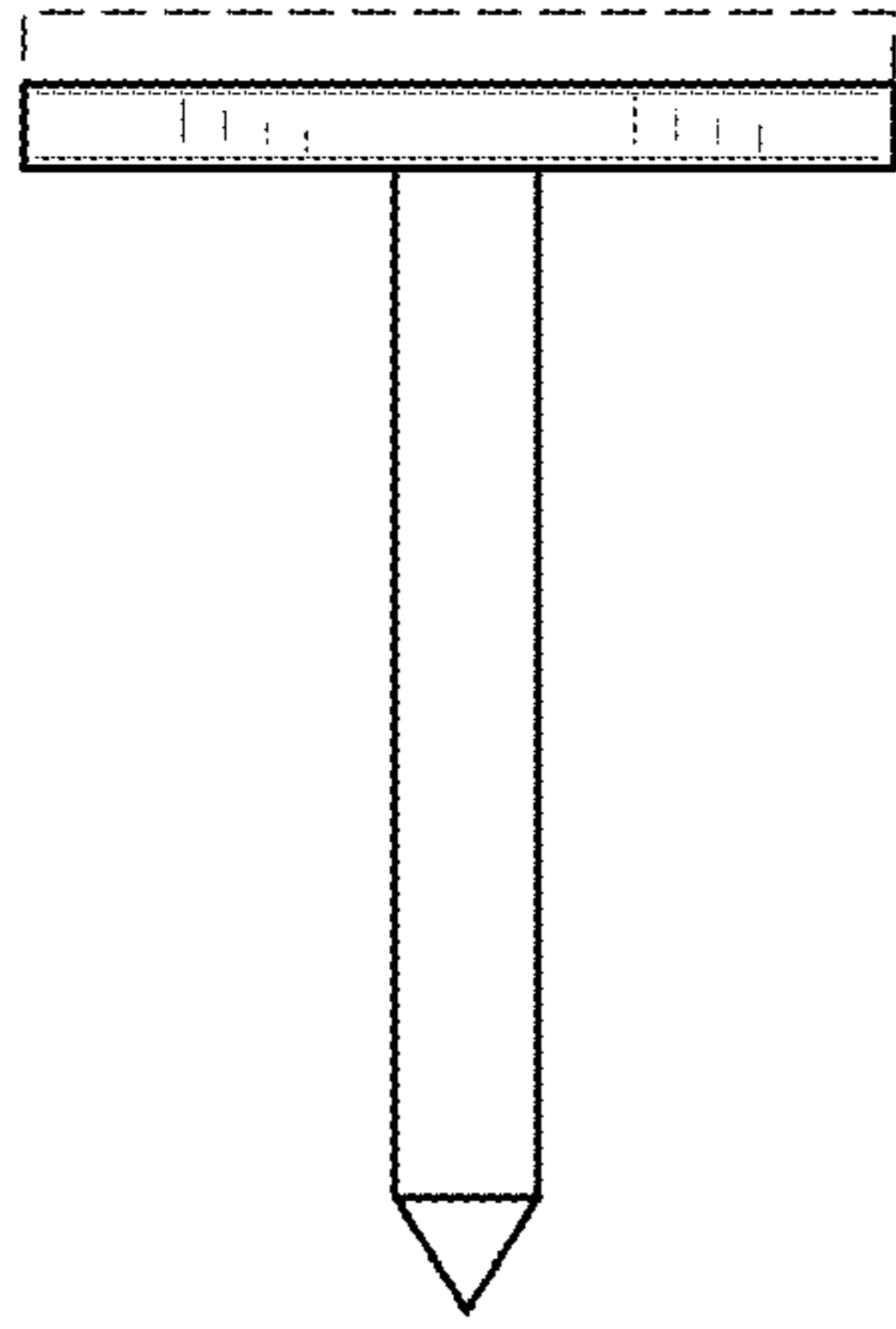


FIG. 5

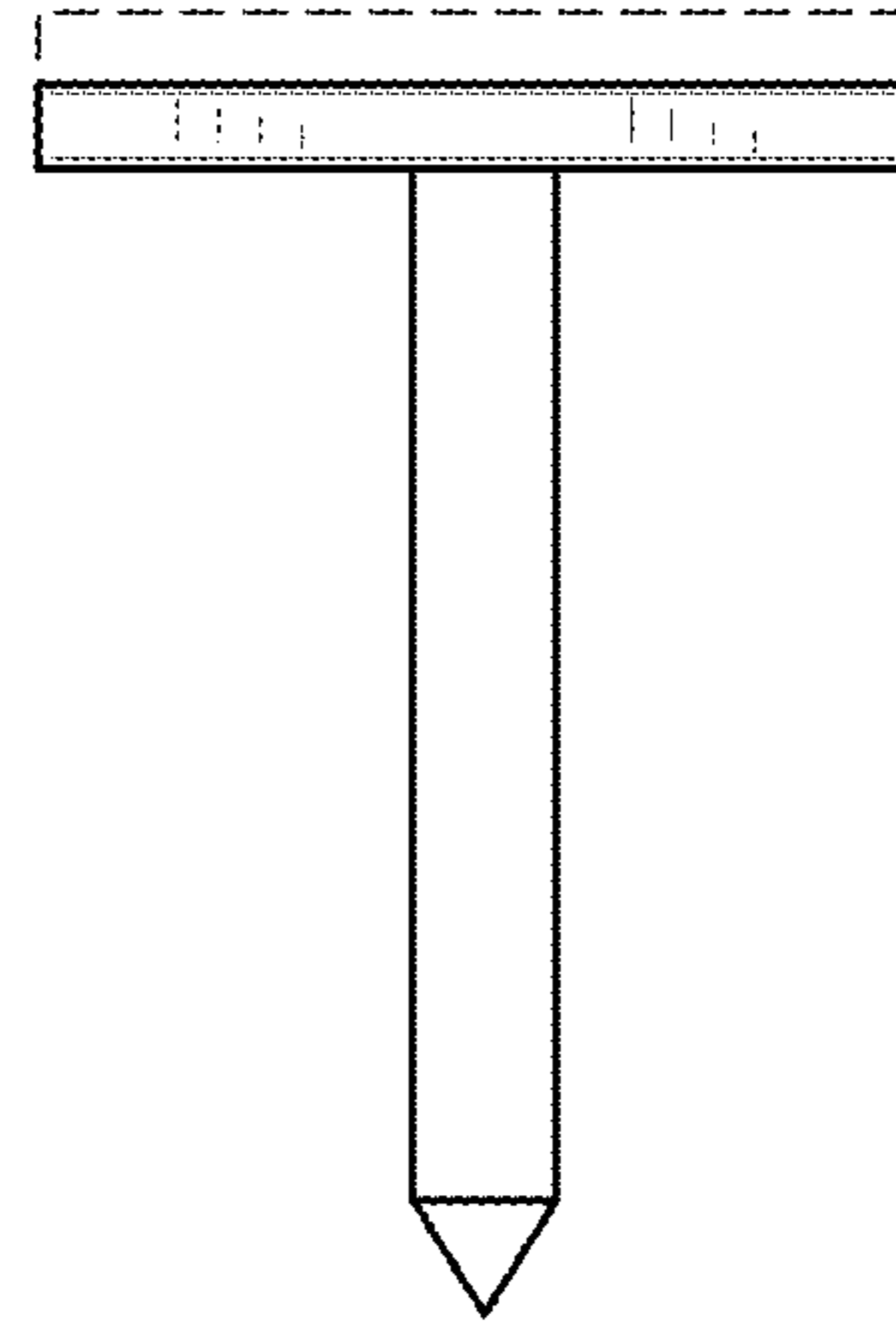


FIG. 6

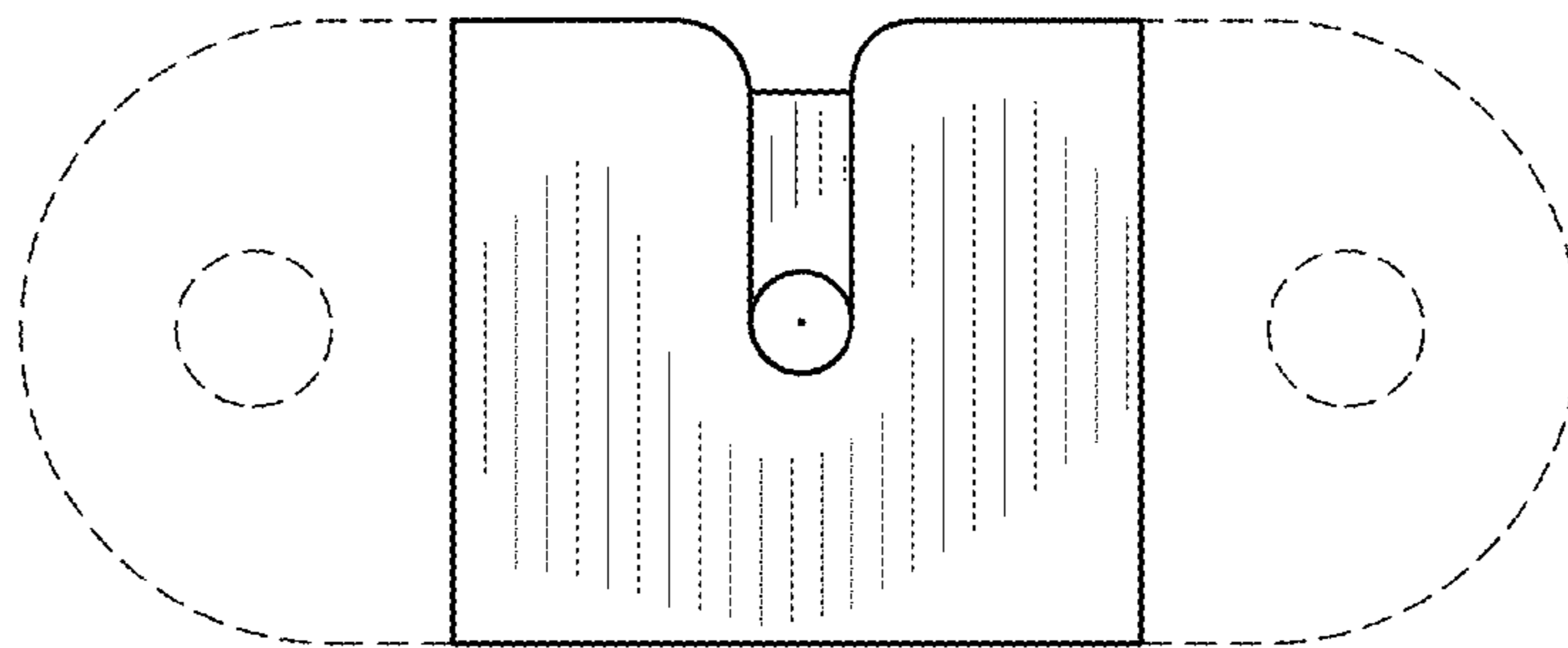


FIG. 7

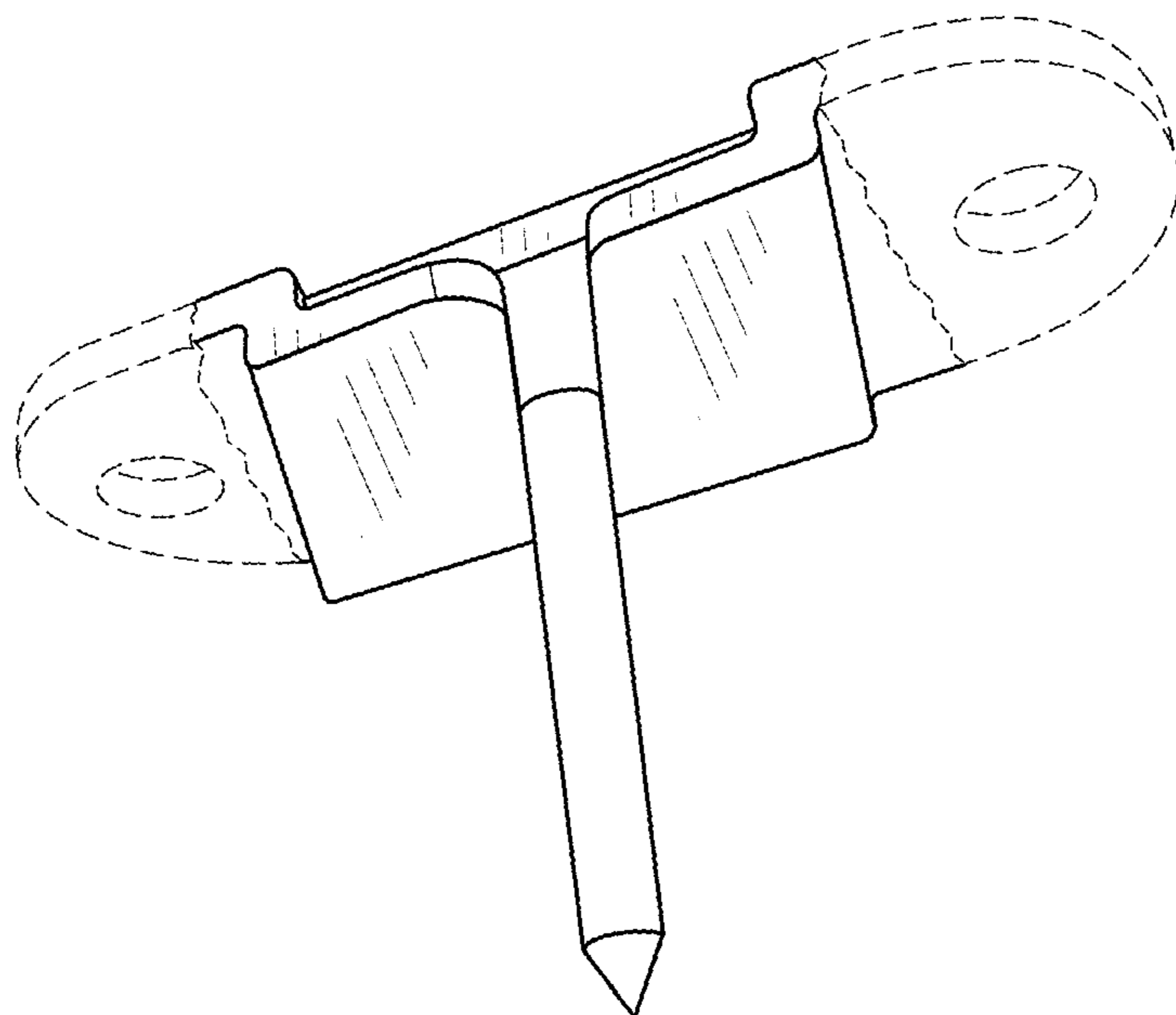


FIG. 8

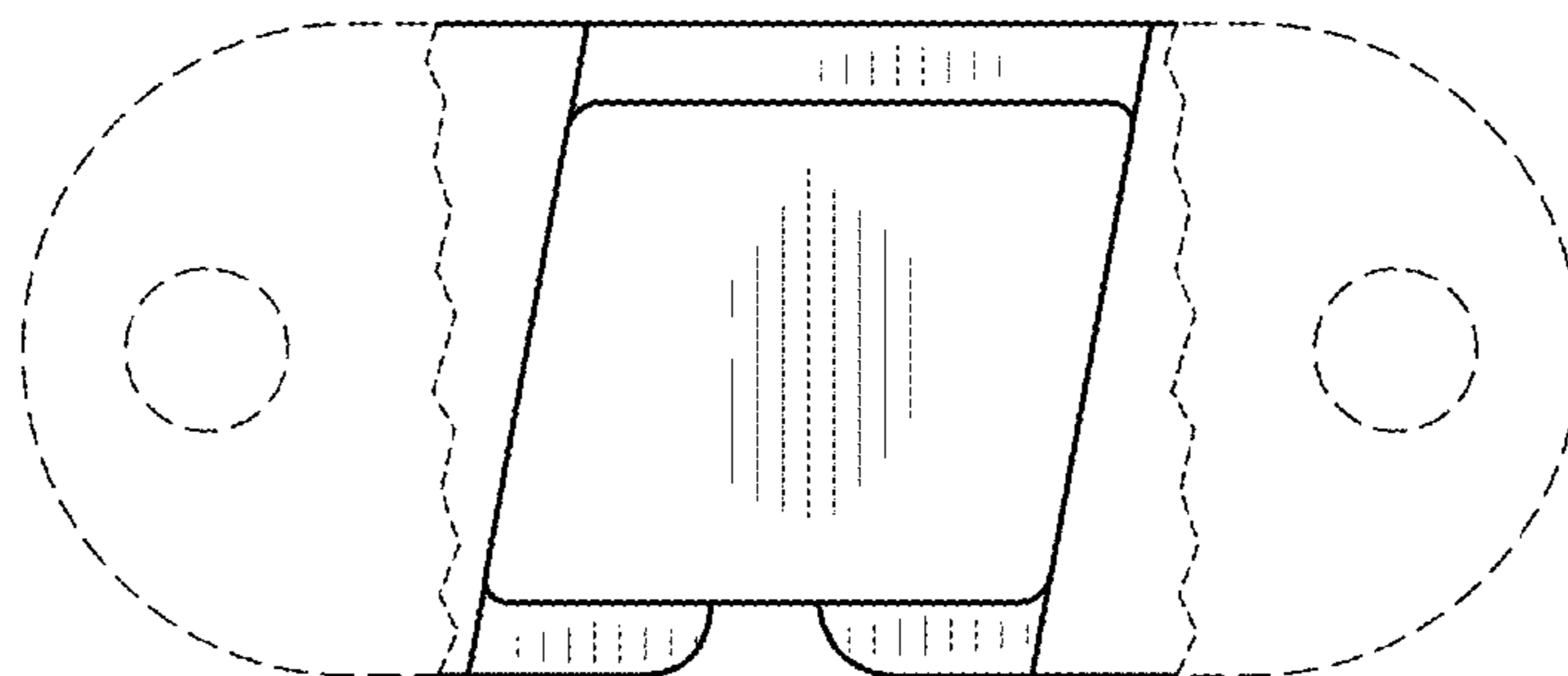


FIG. 9

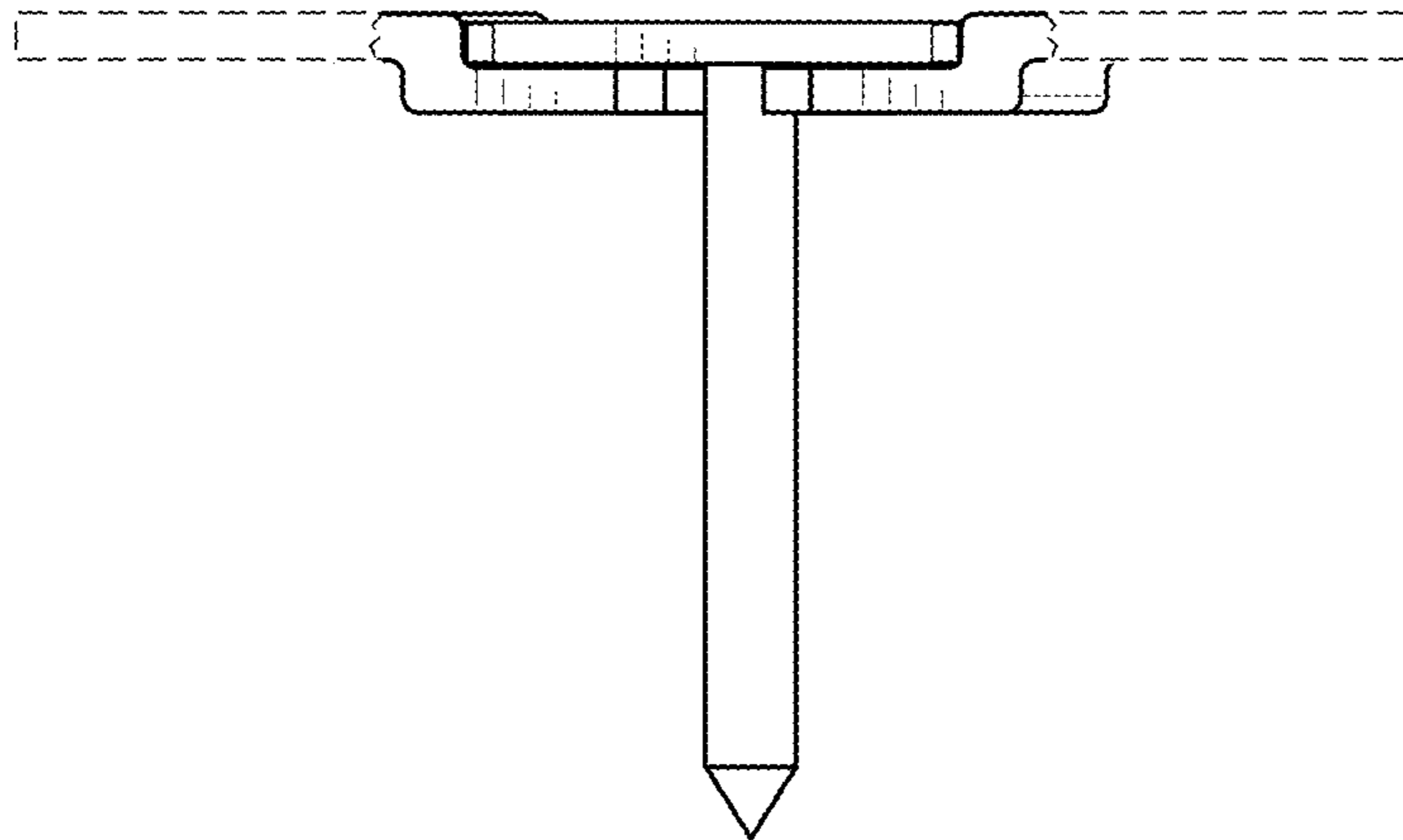


FIG. 10

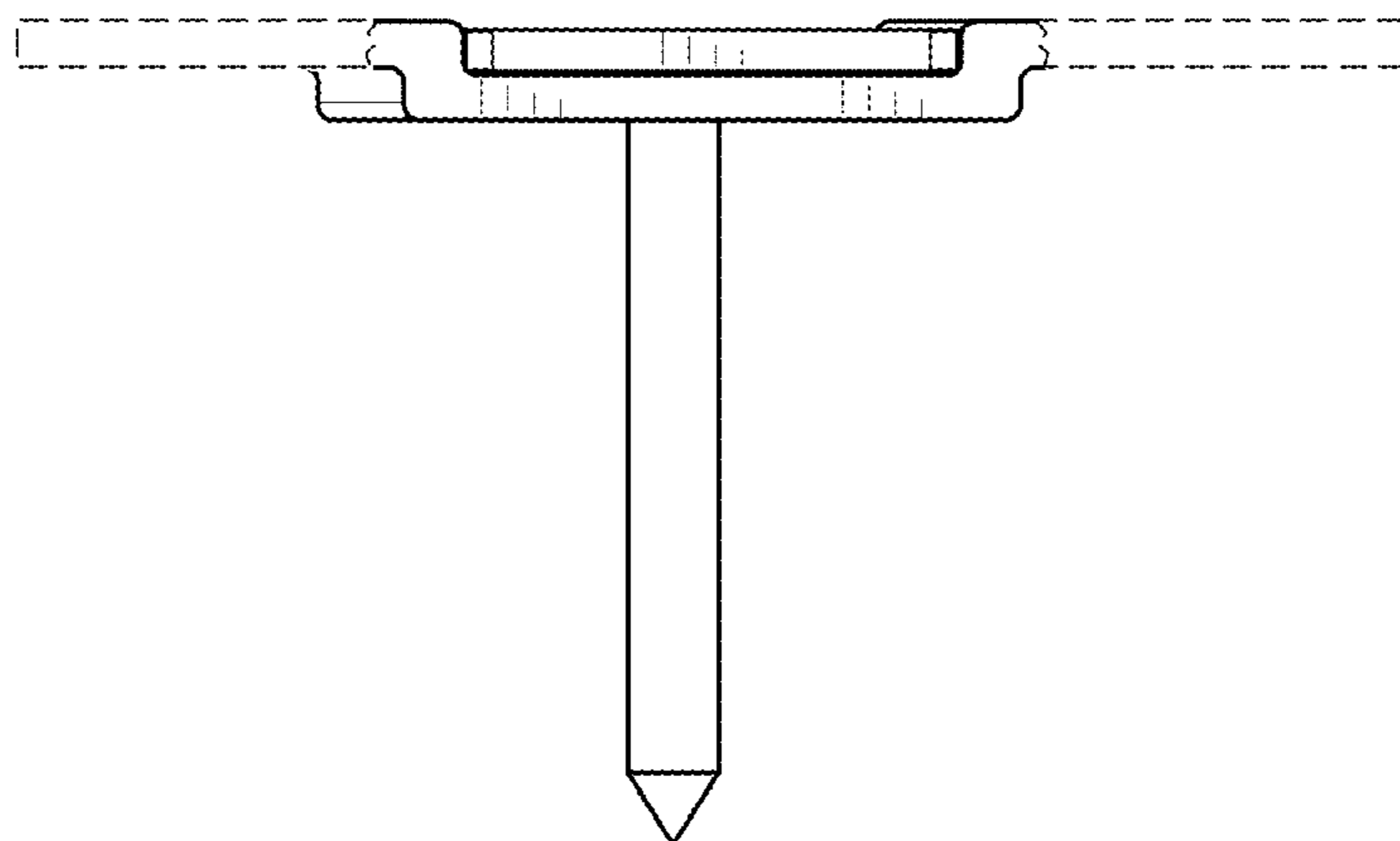


FIG. 11

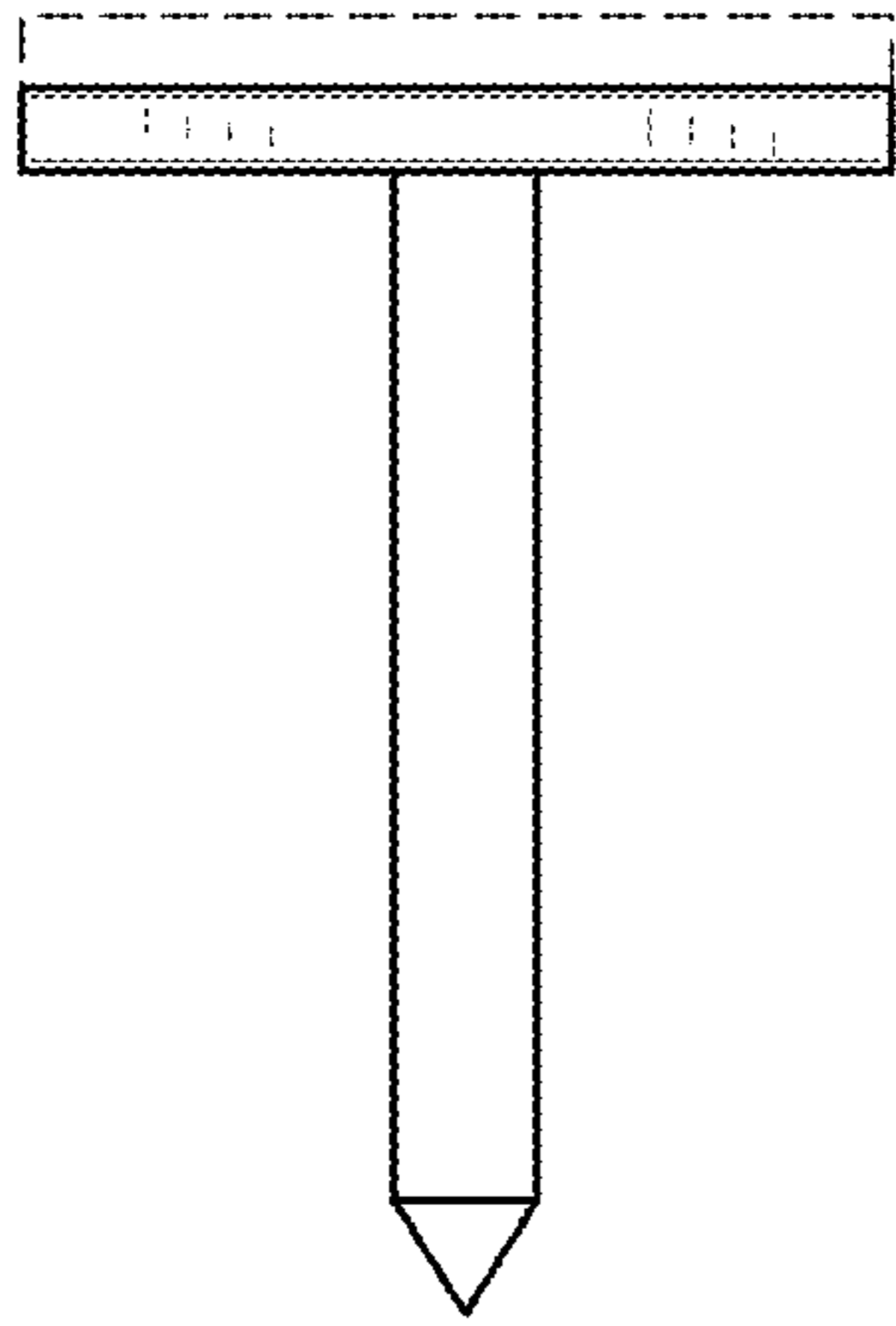


FIG. 12

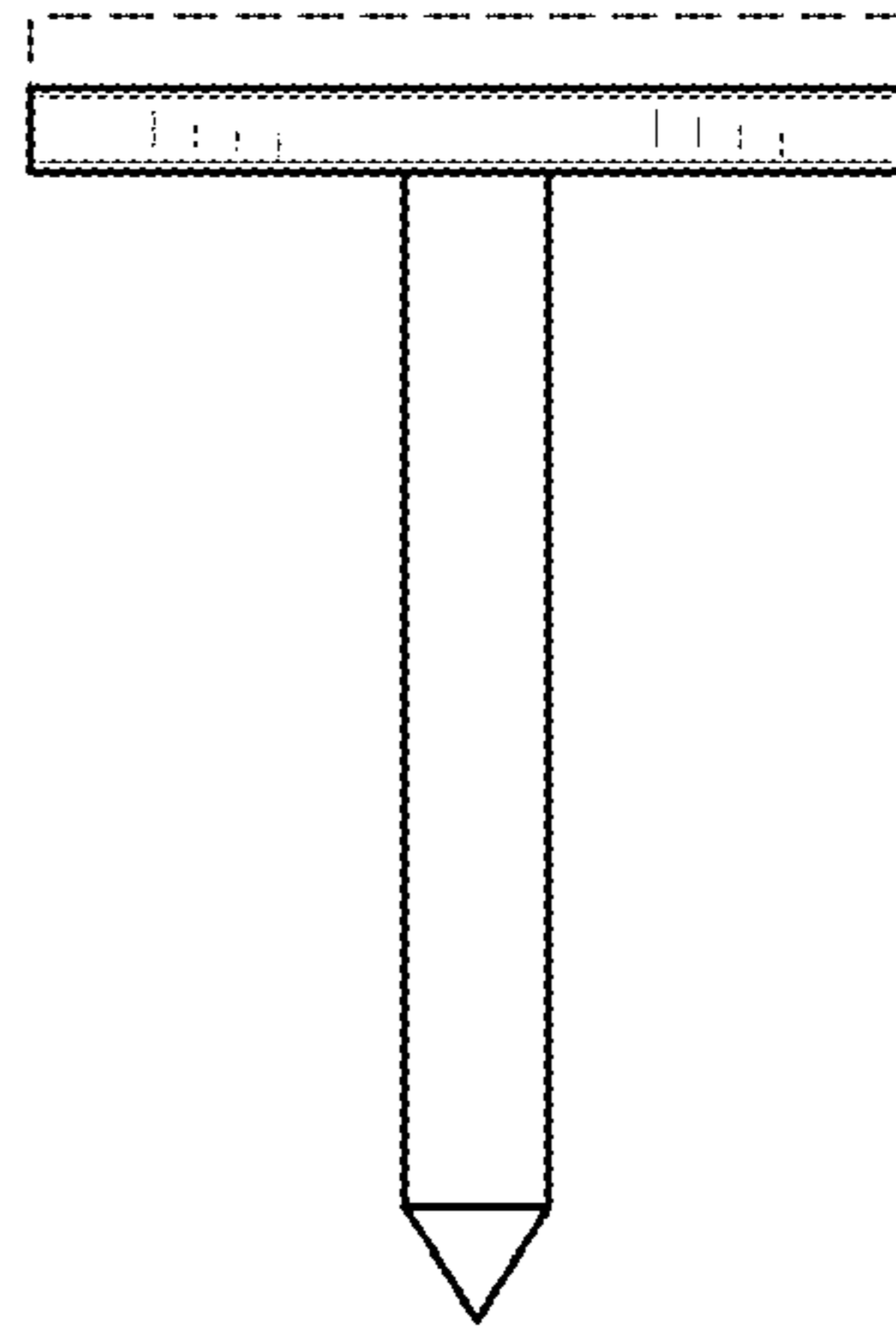


FIG. 13

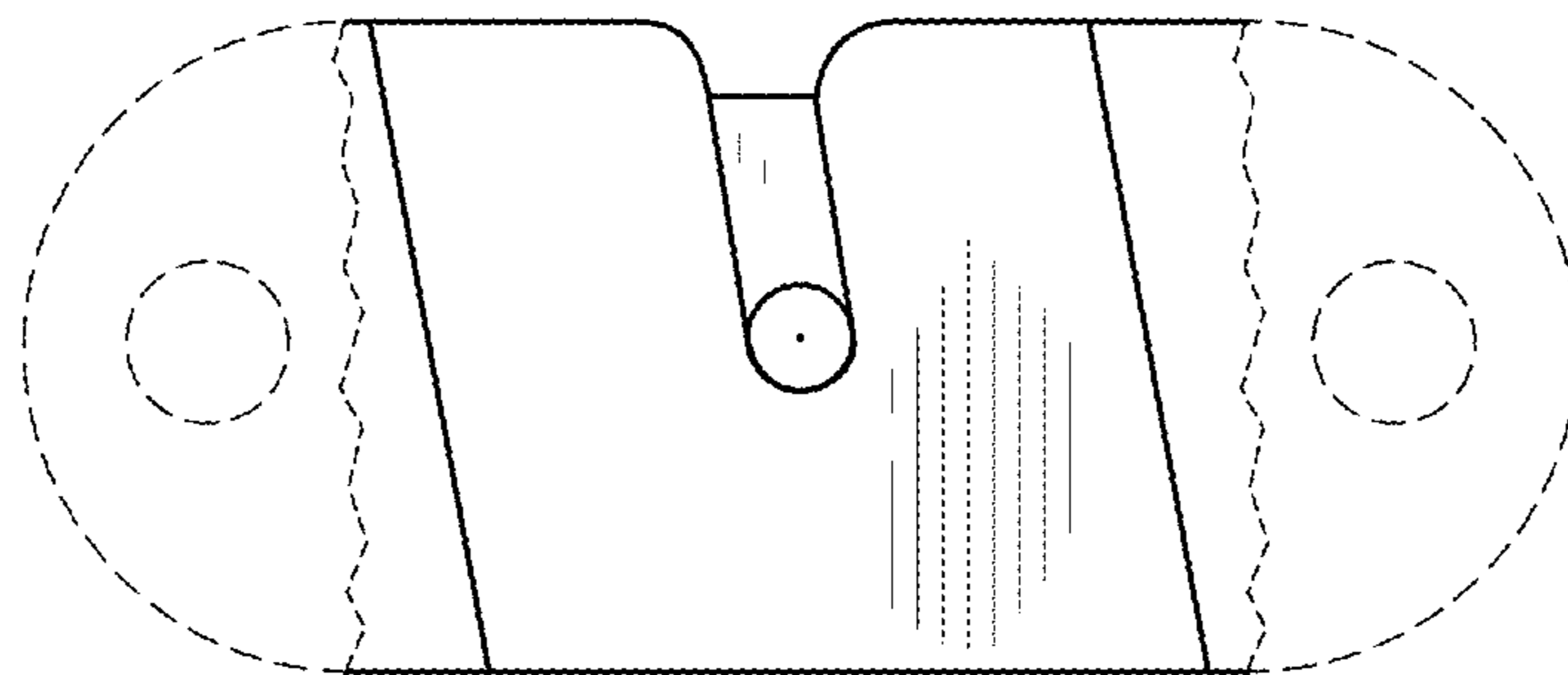


FIG. 14

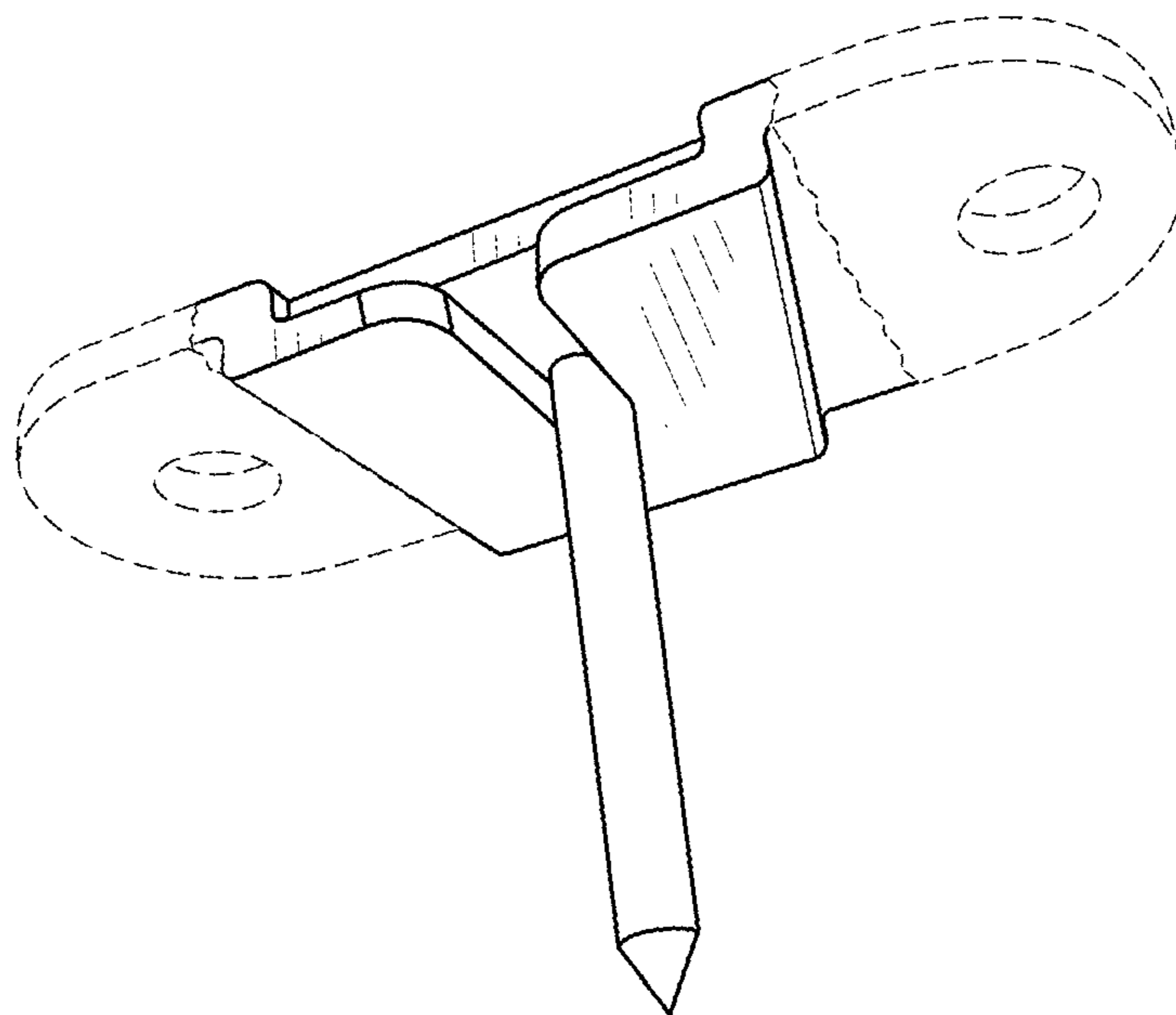


FIG. 15

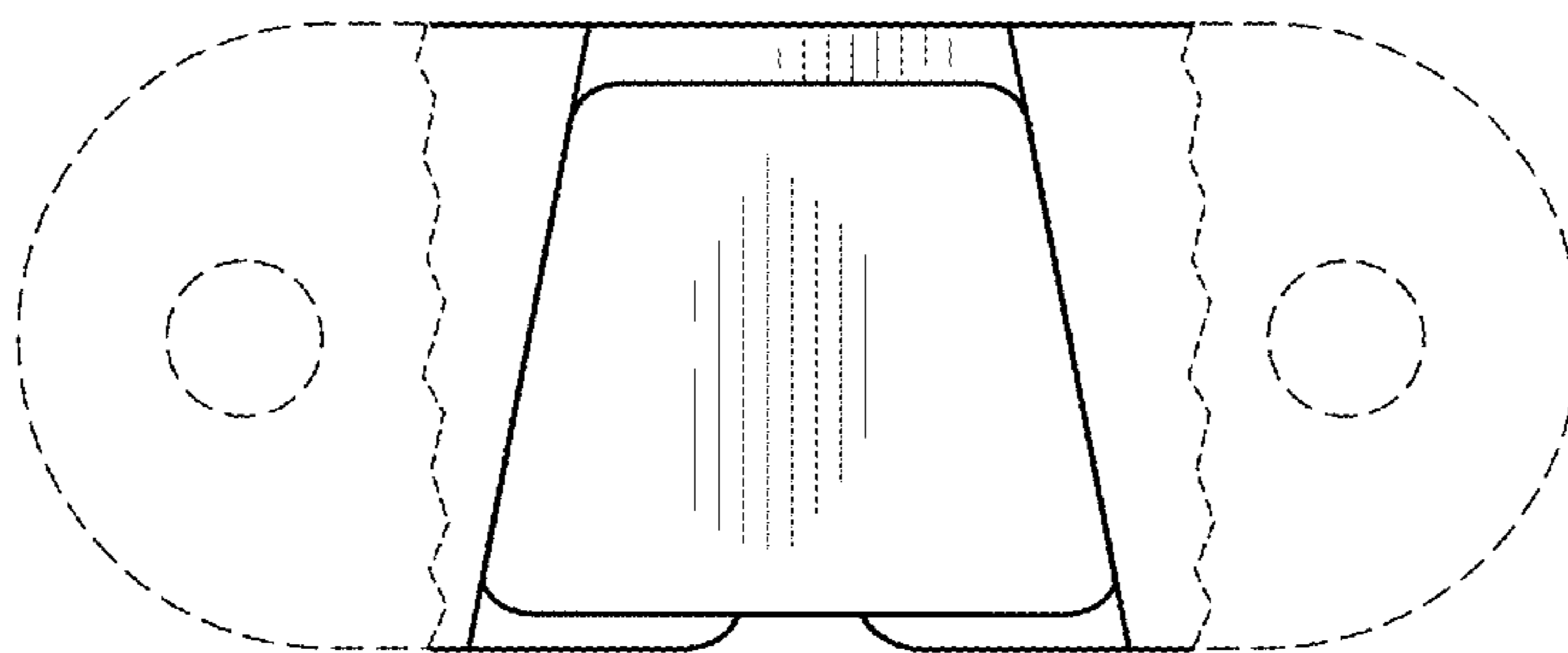


FIG. 16

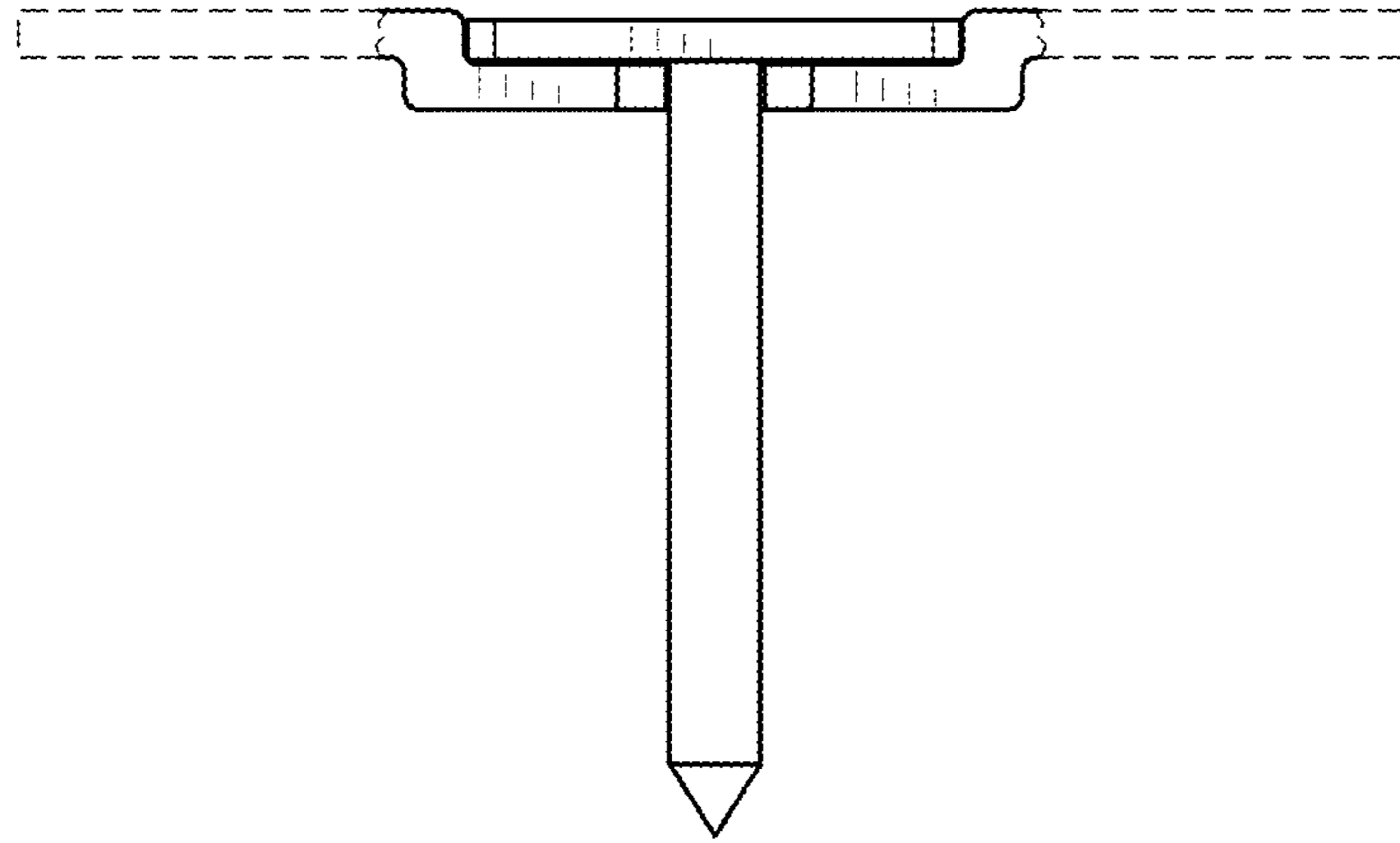


FIG. 17

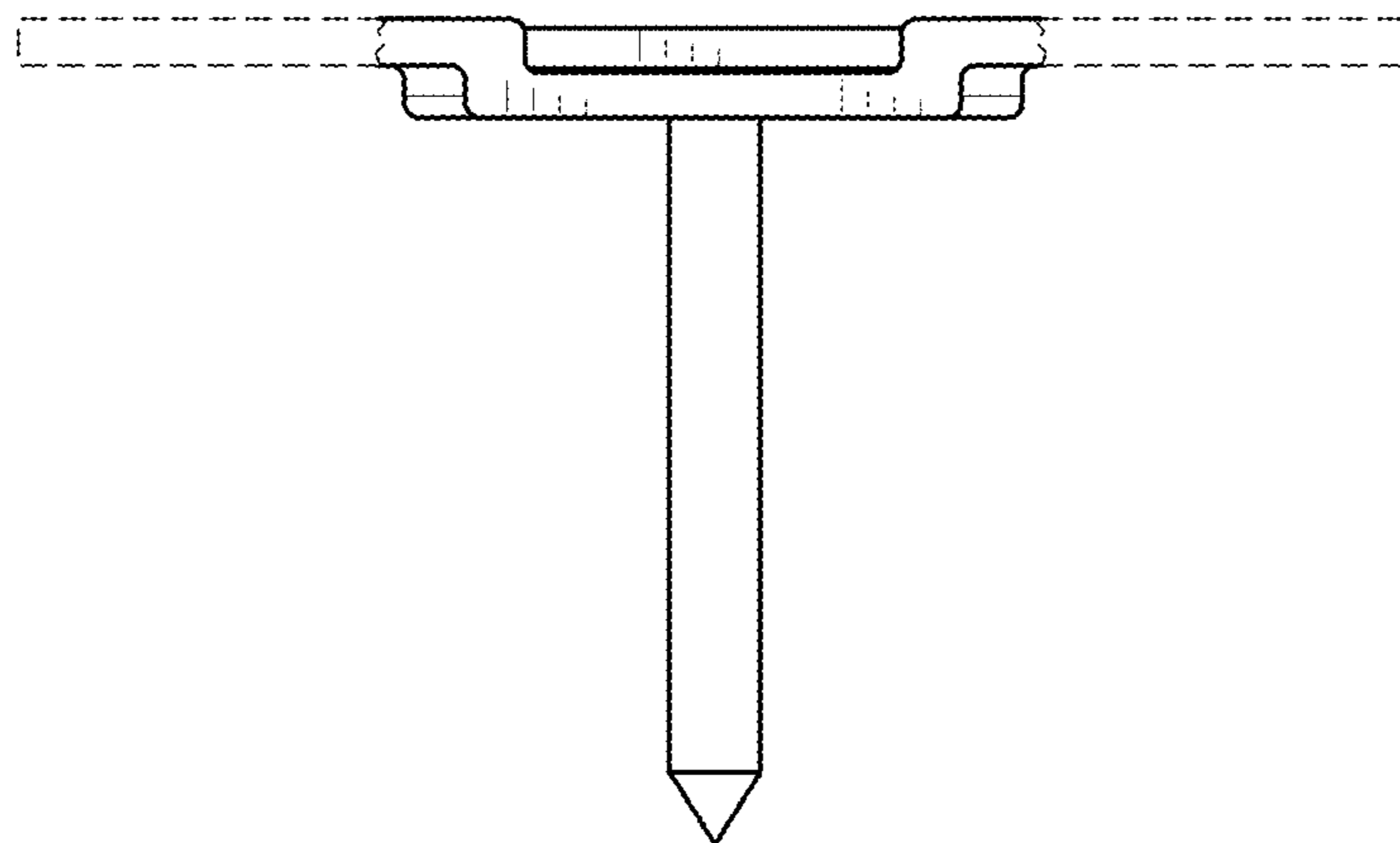


FIG. 18

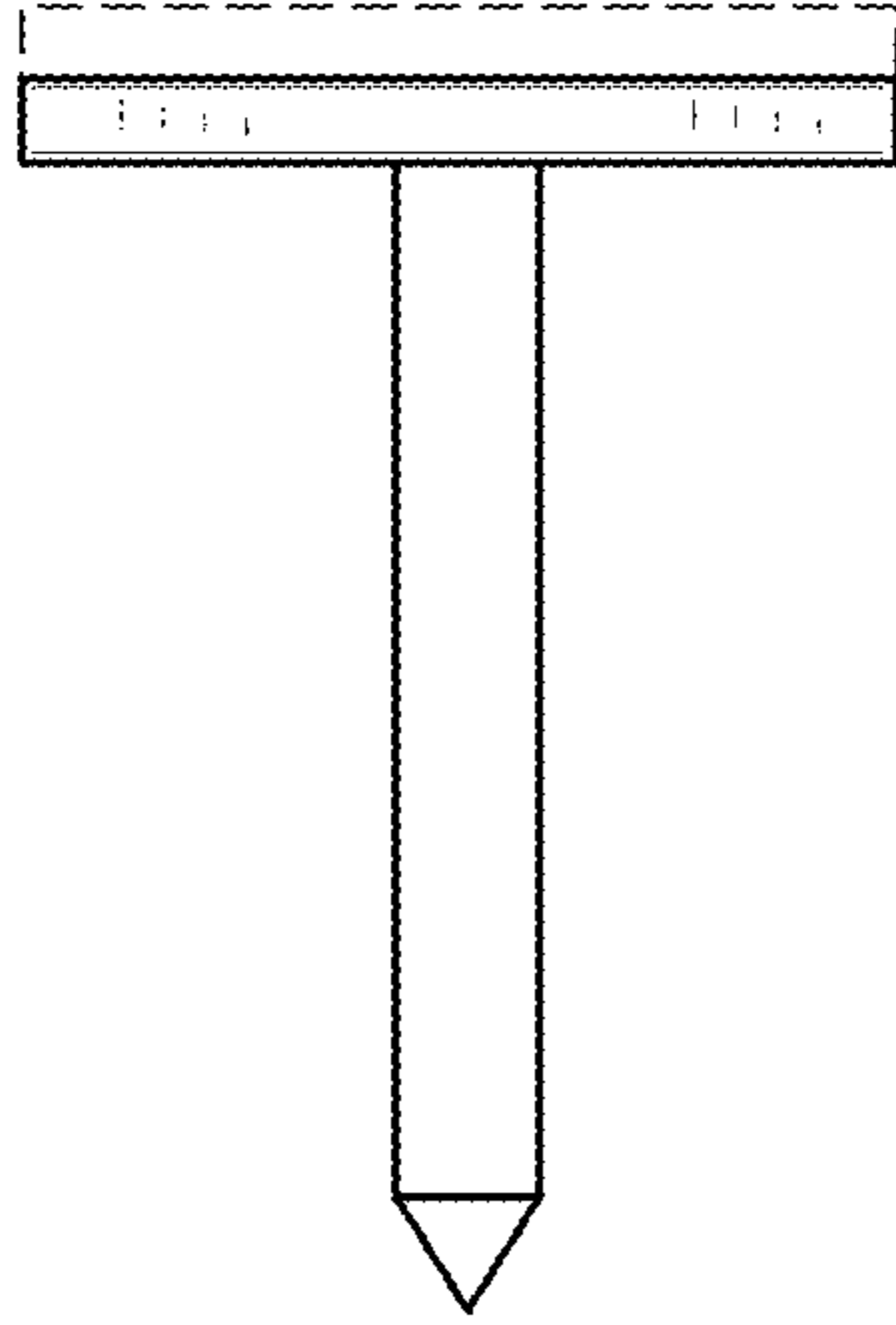


FIG. 19

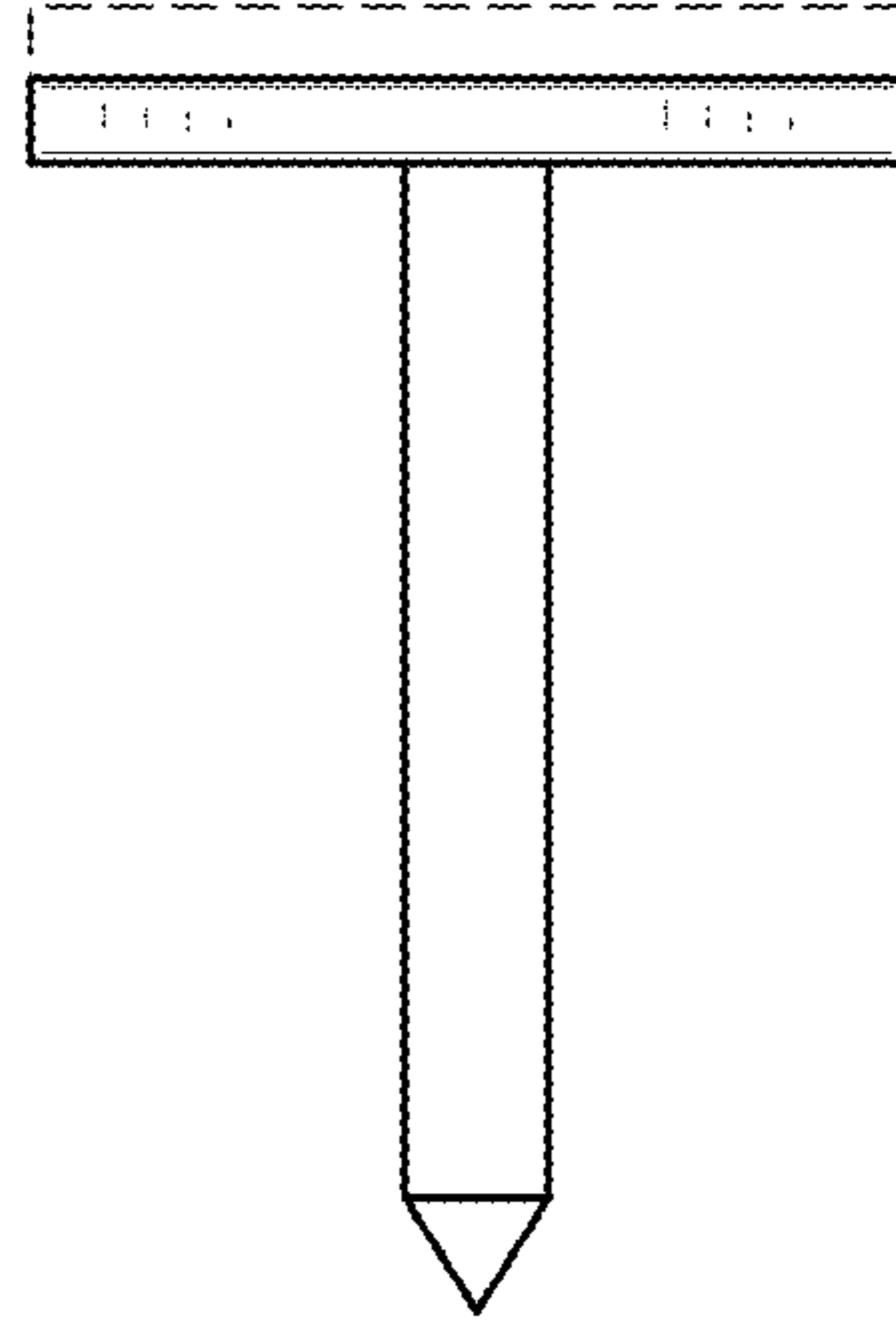


FIG. 20

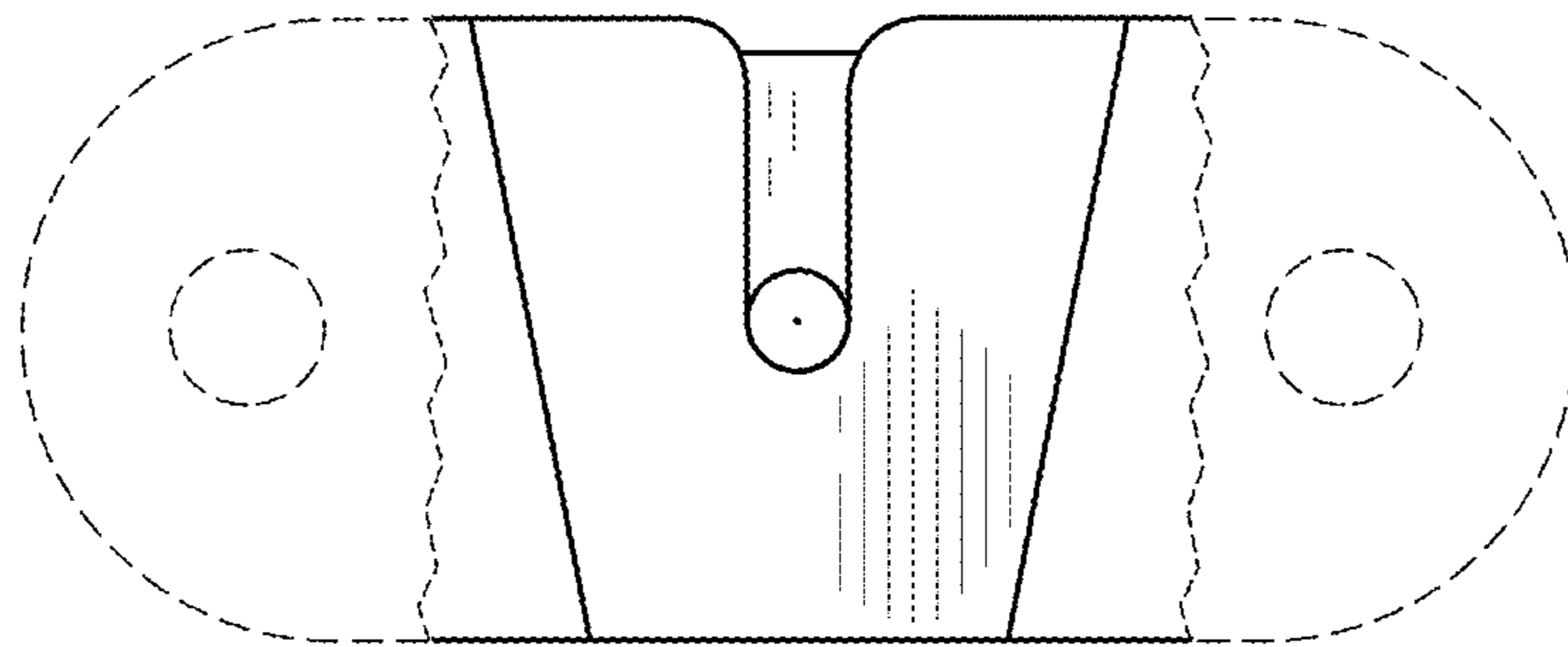


FIG. 21

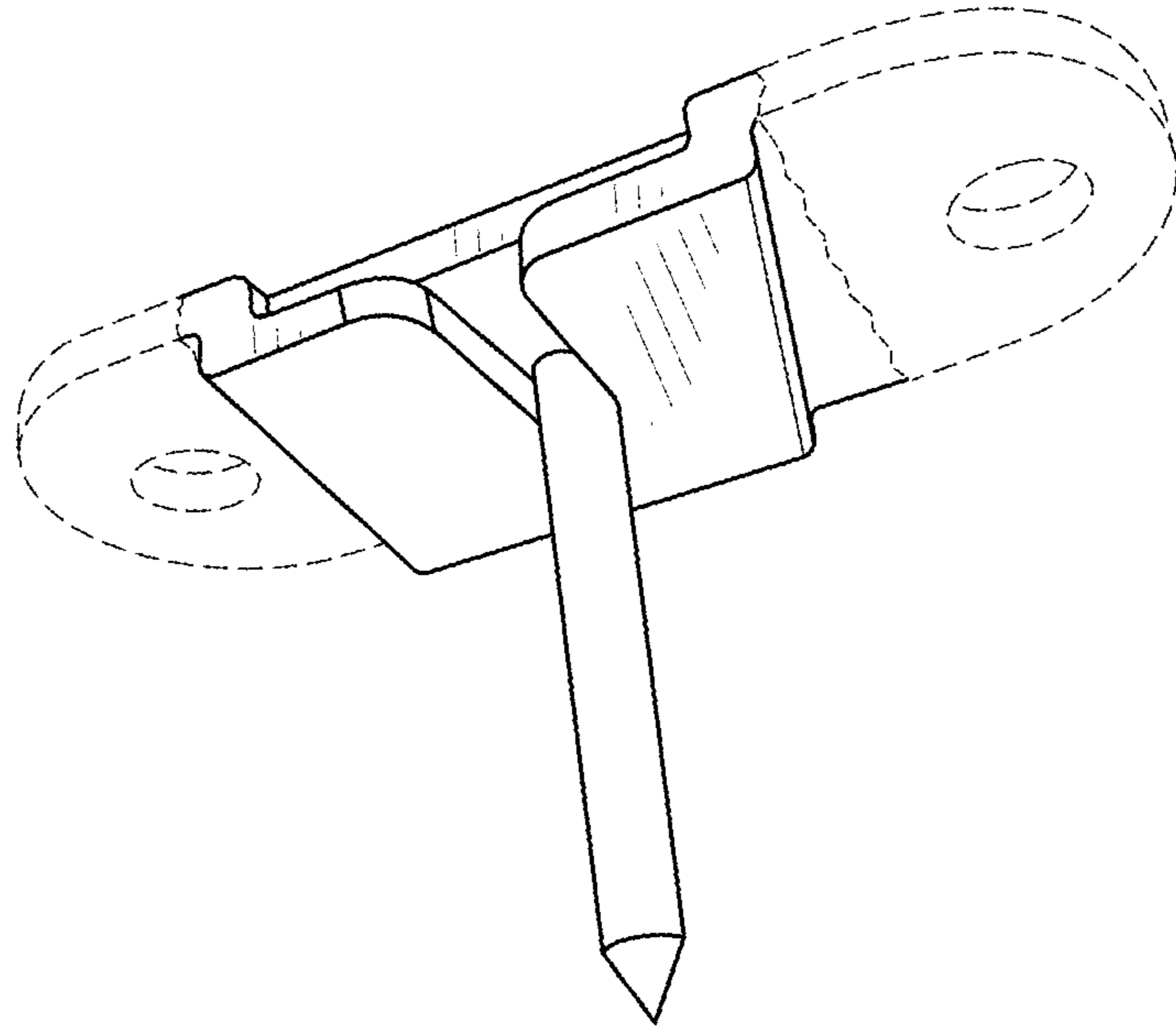


FIG. 22

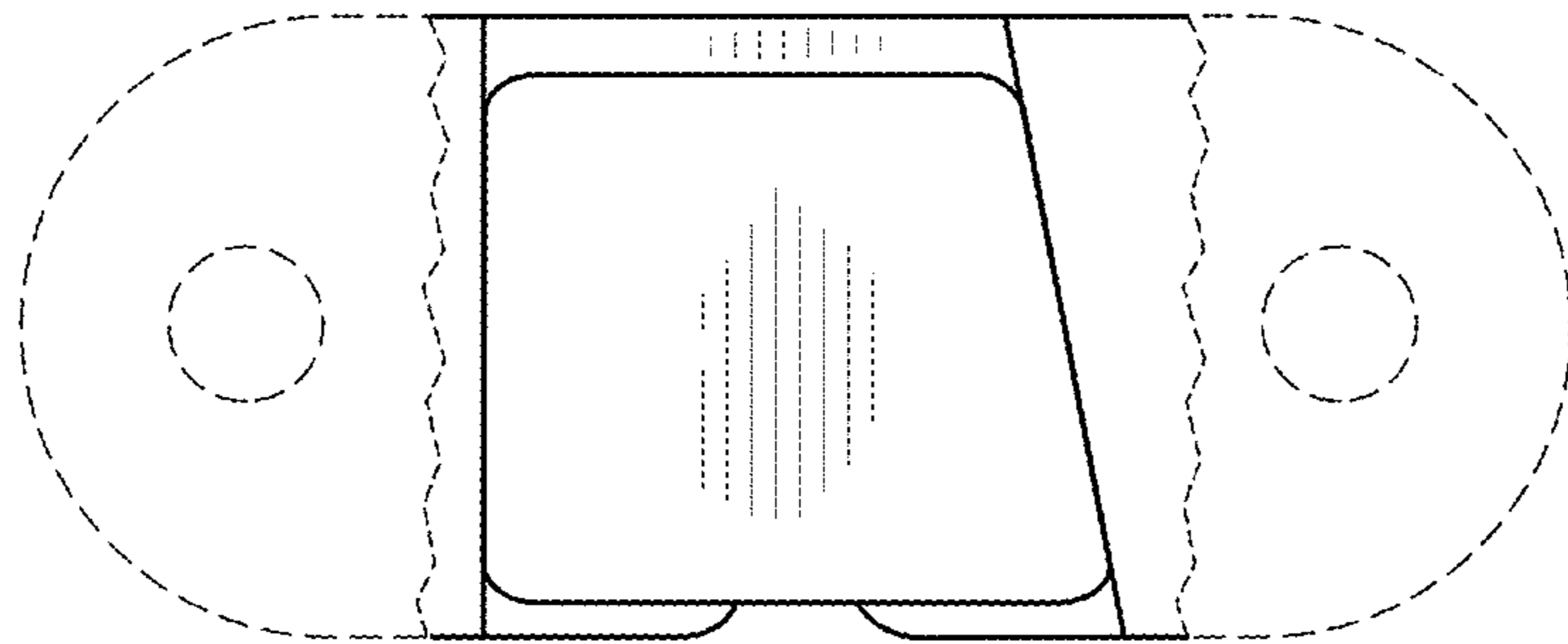


FIG. 23

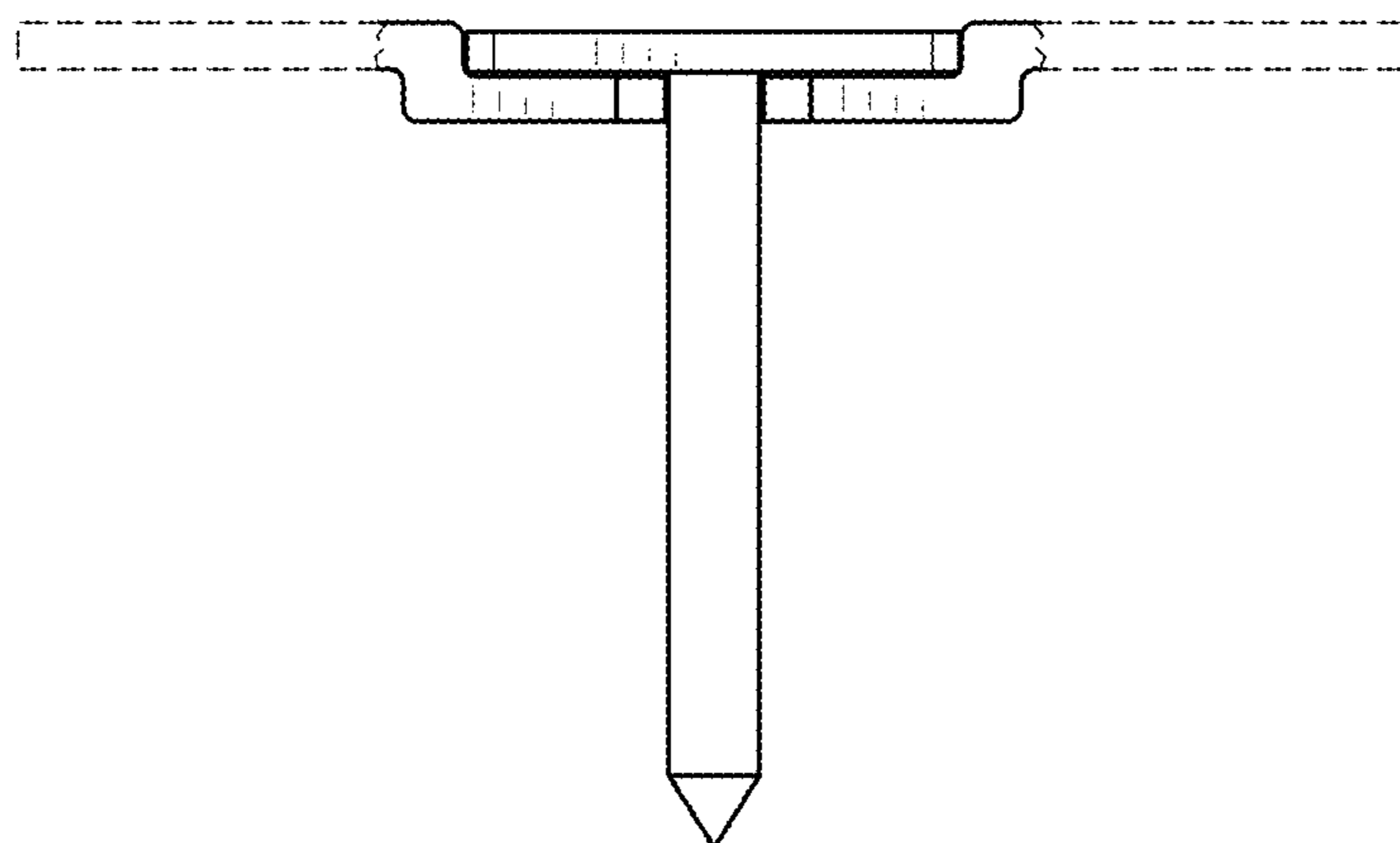


FIG. 24

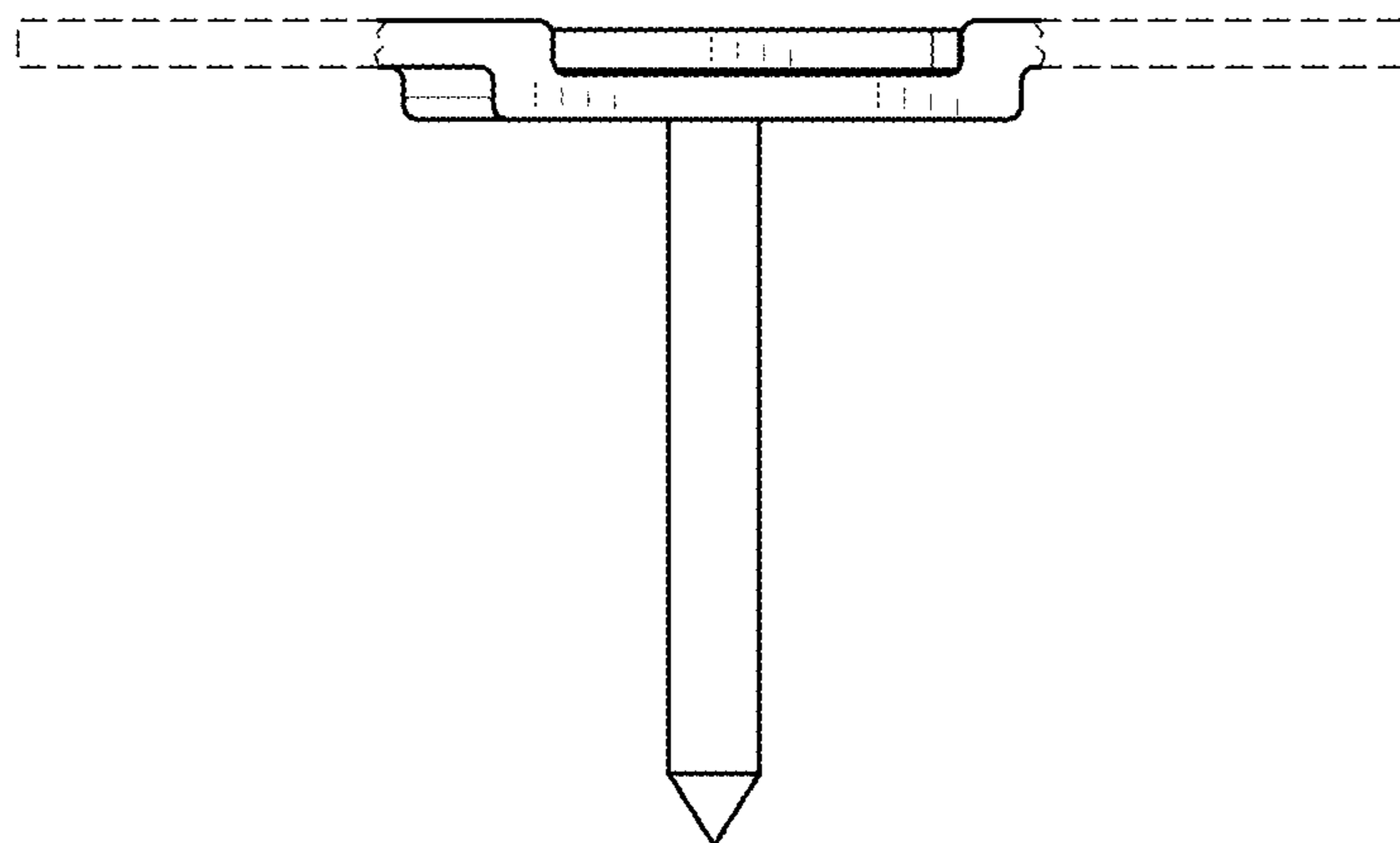


FIG. 25

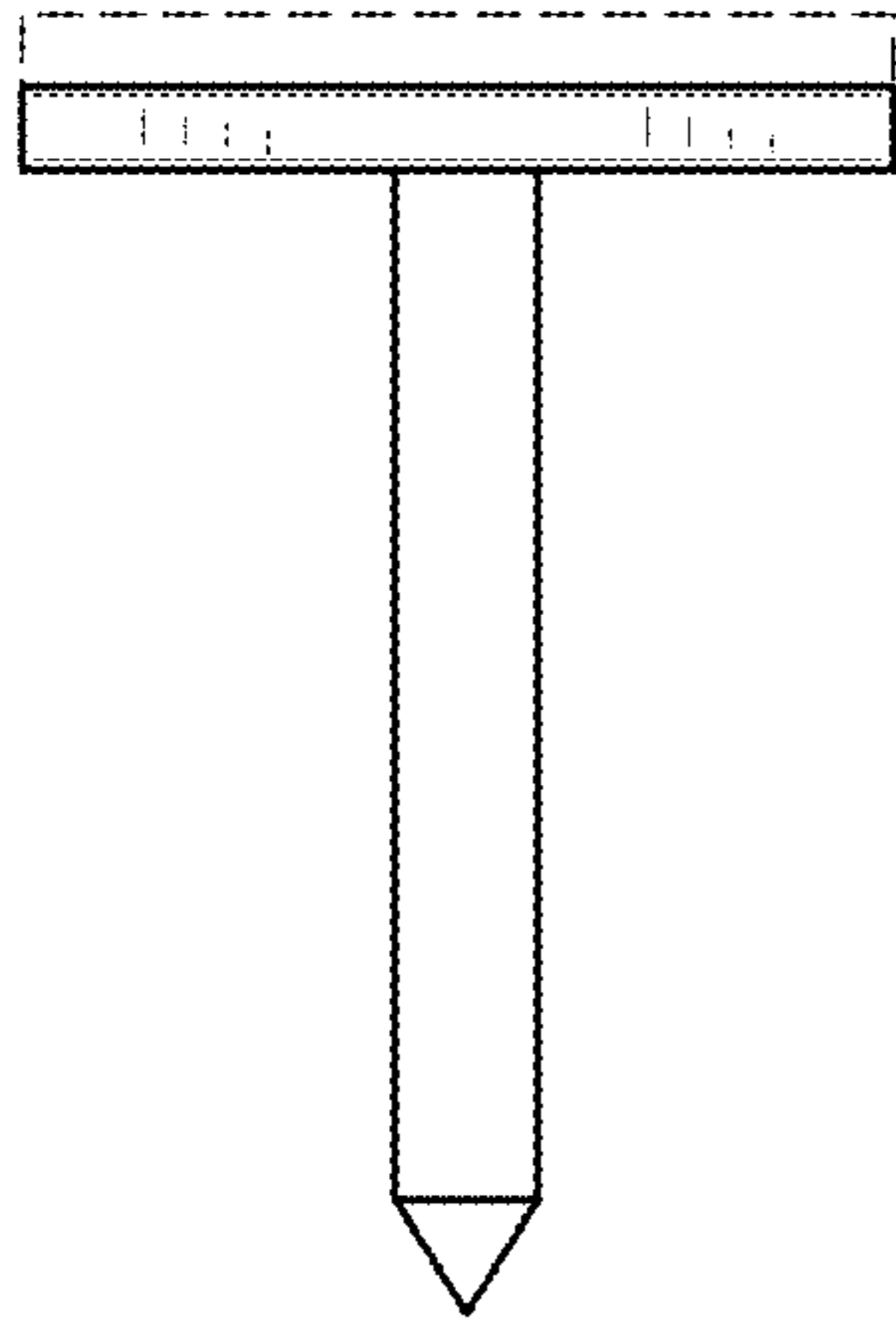


FIG. 26

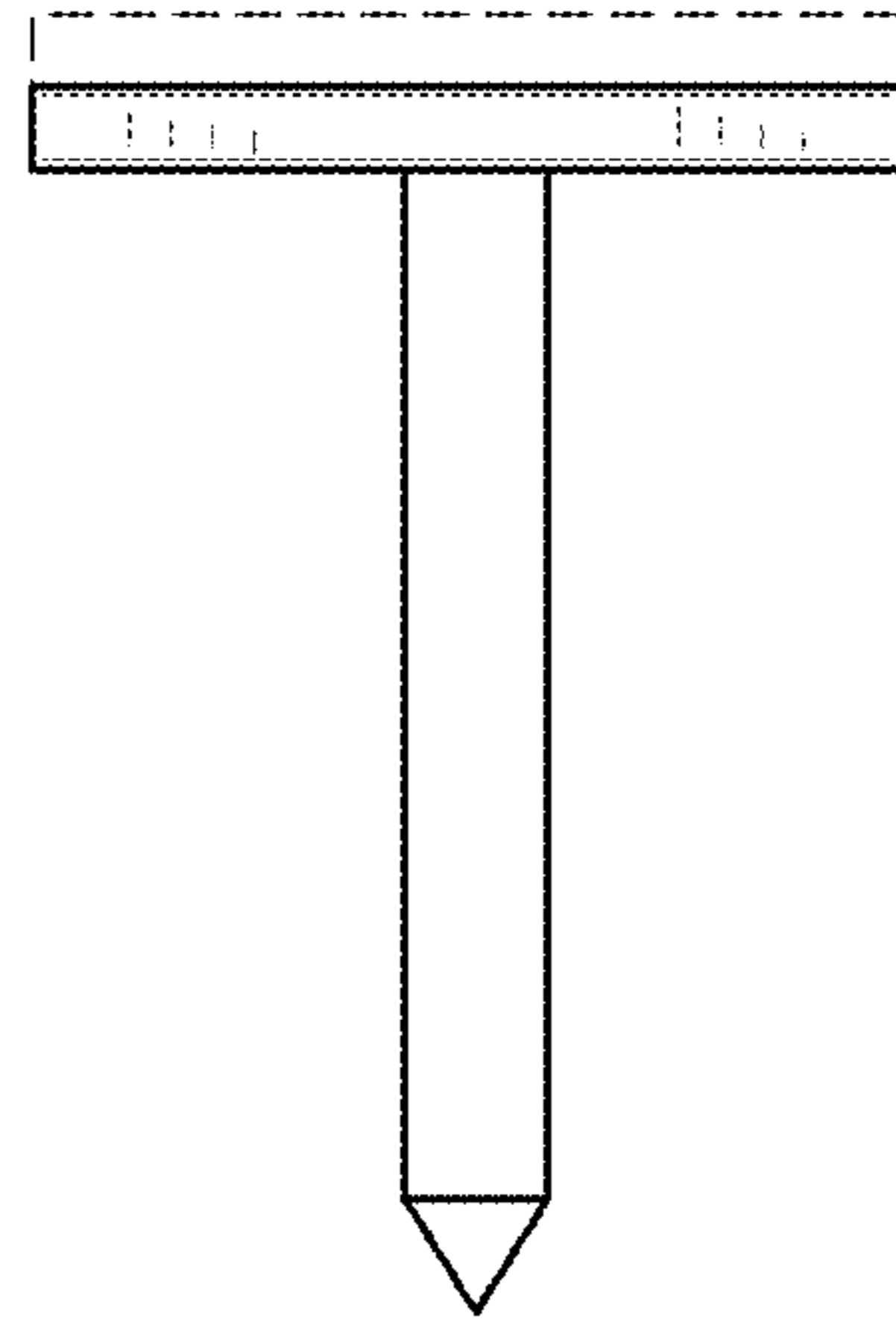


FIG. 27

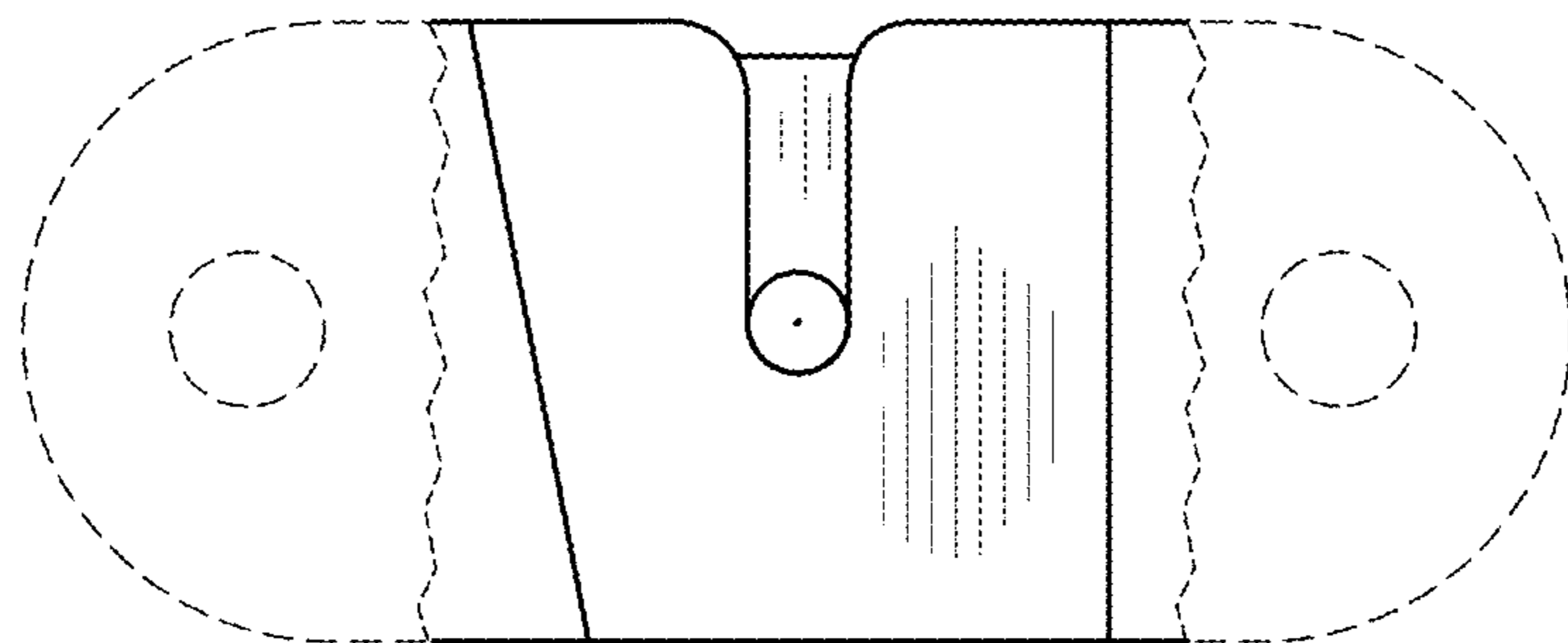


FIG. 28