



US00D819427S

(12) **United States Design Patent** (10) **Patent No.:** **US D819,427 S**
Mercaldi (45) **Date of Patent:** **** Jun. 5, 2018**

(54) **ADAPTER BRACKET ASSEMBLY**
(71) Applicant: **Gladiator Joe, Inc.**, Montreal (CA)
(72) Inventor: **Joseph Mercaldi**, Montreal (CA)
(73) Assignee: **Gladiator Joe Inc.**, Montreal, QC
(**) Term: **15 Years**

(21) Appl. No.: **29/554,205**
(22) Filed: **Feb. 9, 2016**
(51) **LOC (11) Cl.** **08-05**
(52) **U.S. Cl.**
USPC **D8/354**
(58) **Field of Classification Search**
USPC D8/354; 160/321, 323.1; 248/267, 268
CPC A47H 1/03; A47H 1/14; E06B 2009/2447;
E06B 9/174; E06B 9/50
See application file for complete search history.

(56) **References Cited**

U.S. PATENT DOCUMENTS

D242,766 S * 12/1976 Neece D12/223
D257,664 S * 12/1980 McKee D8/354
D285,647 S * 9/1986 Sachs 174/41
D370,171 S * 5/1996 Emerson D8/354
D384,877 S * 10/1997 Perrin D8/354
D394,632 S * 5/1998 Miller D12/223
D437,282 S * 2/2001 Joll D12/223
D487,391 S * 3/2004 Balaban D8/354
D489,598 S * 5/2004 Balaban D8/354
D548,051 S * 8/2007 Ruppert D8/354
D573,873 S * 7/2008 Wall D8/354
D588,441 S * 3/2009 Clarke D8/354
D592,669 S * 5/2009 Malisse D14/451
D594,312 S * 6/2009 Clarke D8/354
D594,313 S * 6/2009 Clarke D8/354
D654,350 S * 2/2012 Preda D8/354
D667,718 S * 9/2012 Preda D8/354

D699,097 S * 2/2014 Chung D8/354
D712,816 S * 9/2014 Maholick D12/223
D732,932 S * 6/2015 Ng D8/354

OTHER PUBLICATIONS

H226HQL-H236HL—Amazon, posted at amazon.com, posted Oct. 26, 2015, [online], [site visited Nov. 30, 2016]. Available from Internet, <URL: <https://www.amazon.com/AdapterBracketMonitorsH226HQLH236HL/dp/B01771PJFK>>.*
Havis Products—C-MM-219 Monitor Adapter Plate Assembly, Planar LX1250TI and LX125TI, posted at havis.com, posting date not given, [online], [site visited Nov. 30, 2016]. Available from Internet, <URL: http://www.havis.com/products/DEVMT_MNTR_ADPTR_PLNR_LX11214585970.html>.*
Monoprice-200x200mm Bracket—Amazon, posted at amazon.com, posted Mar. 14, 2009, [online], [site visited Nov. 30, 2016]. Available from Internet, <URL: <https://www.amazon.com/Monoprice200X200mmBracketUniversalAdapter/dp/B001VRN21A>>.*

(Continued)

Primary Examiner — George D. Krischbaum

Assistant Examiner — Marie J Edwards

(74) *Attorney, Agent, or Firm* — Davis, Brown, Koehn, Shors & Roberts P.C.

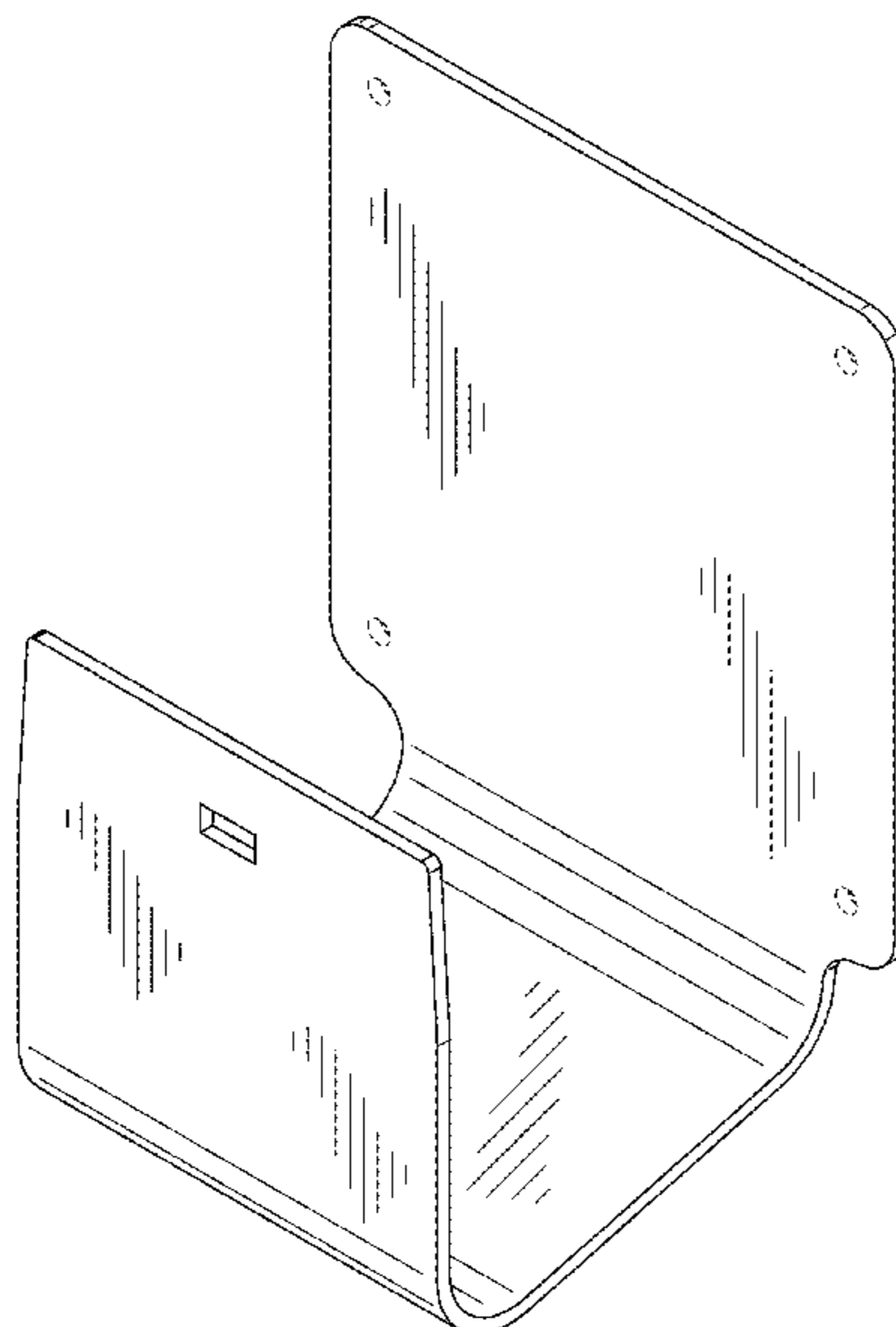
(57) **CLAIM**

The ornamental design for an adapter bracket assembly, as shown and described.

DESCRIPTION

FIG. 1 is a perspective view of an adapter bracket assembly, according to my new design.
FIG. 2 is a front view thereof;
FIG. 3 is a back view thereof;
FIG. 4 is a left side view thereof;
FIG. 5 is a right side view thereof;
FIG. 6 is a top view thereof; and,
FIG. 7 is a bottom view thereof.

1 Claim, 7 Drawing Sheets



(56)

References Cited

OTHER PUBLICATIONS

U28D590D-S27D590P-S24D590PL—Amazon, posted at amazon.com, posted Feb. 3, 2016, [online], [site visited Nov. 30, 2016]. Available from Internet, <URL: <https://www.amazon.com/AdapterMonitorsU28D590DS27D590PS24D590PL/dp/B01BFWRI4M>>.*

VESA Mount Adapter Bracket—Amazon, posted at amazon.com, posted Oct. 26, 2015, [online], [site visited Nov. 30, 2016]. Available from Internet, <<https://www.amazon.com/VESAMountAdapterBracketMonitors/dp/B01771Q5X0>>.*

* cited by examiner

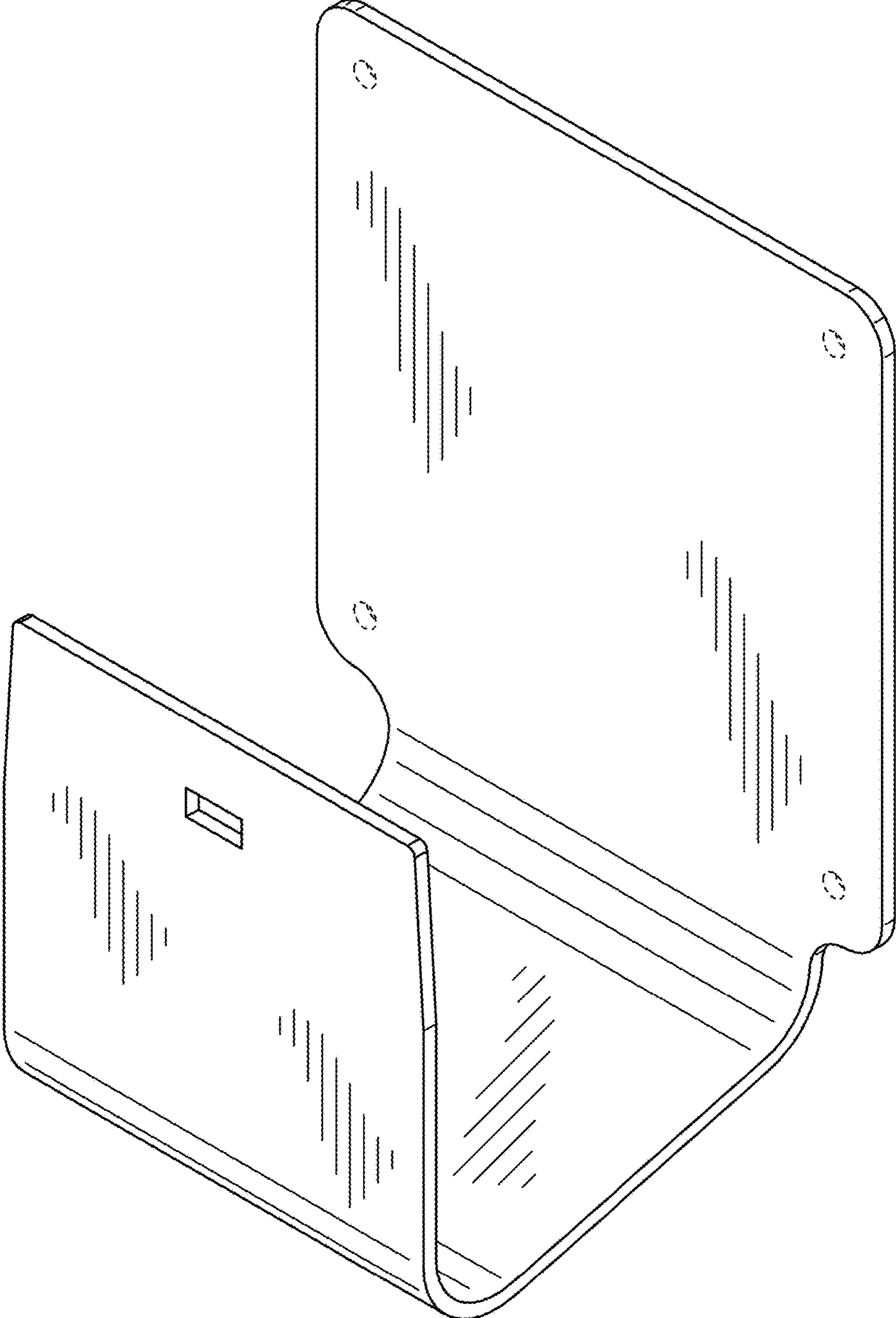


Fig. 1

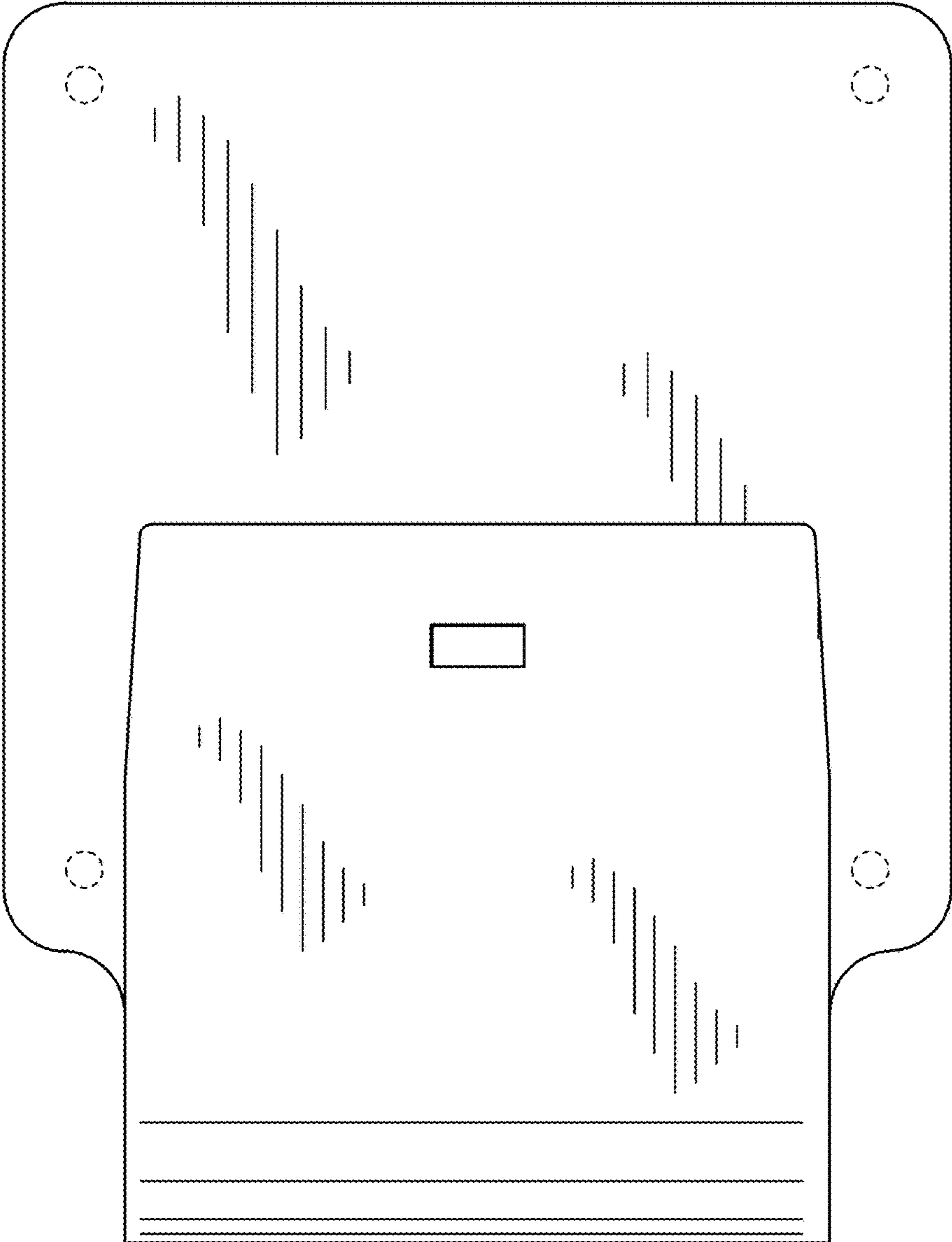


Fig. 2

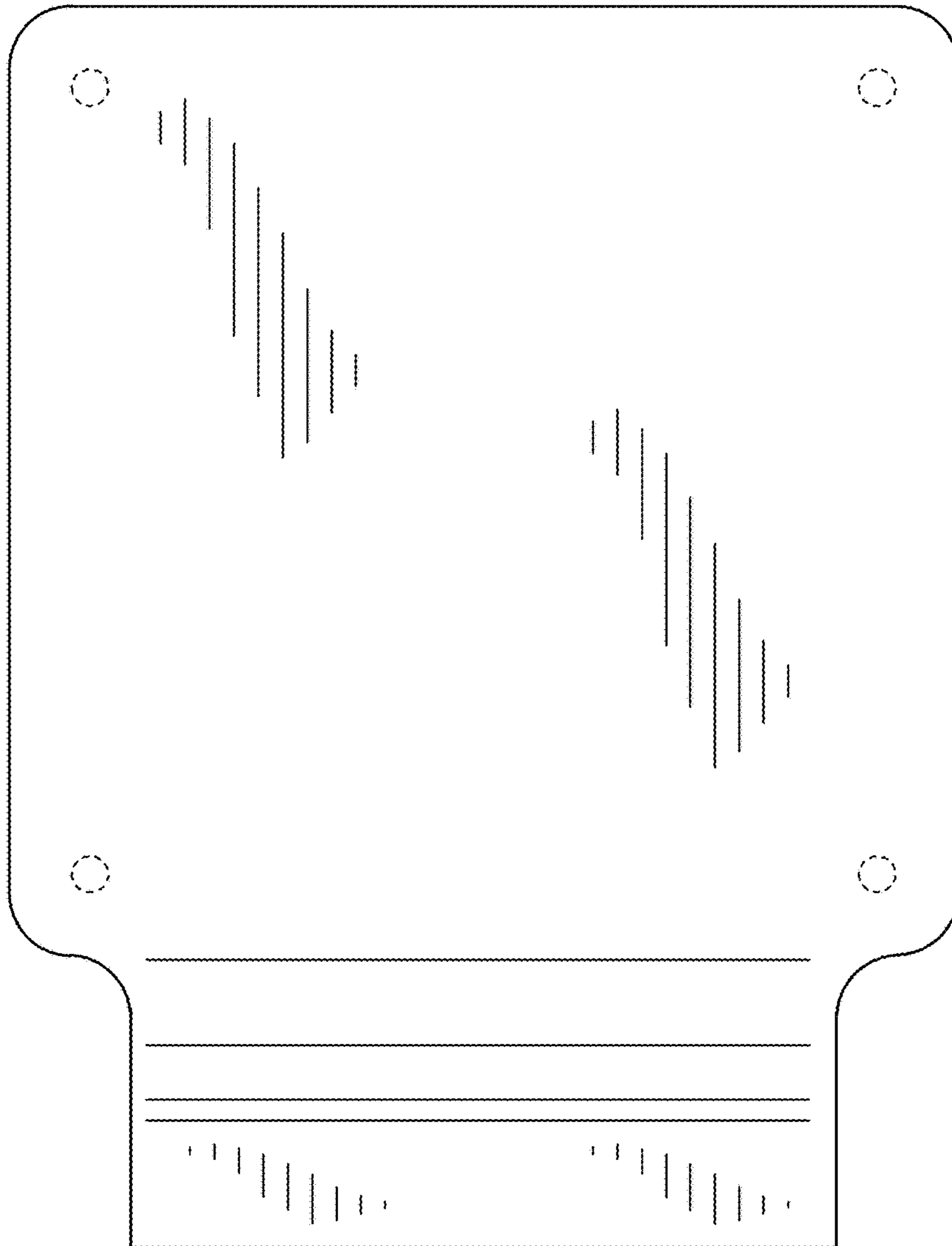


Fig. 3

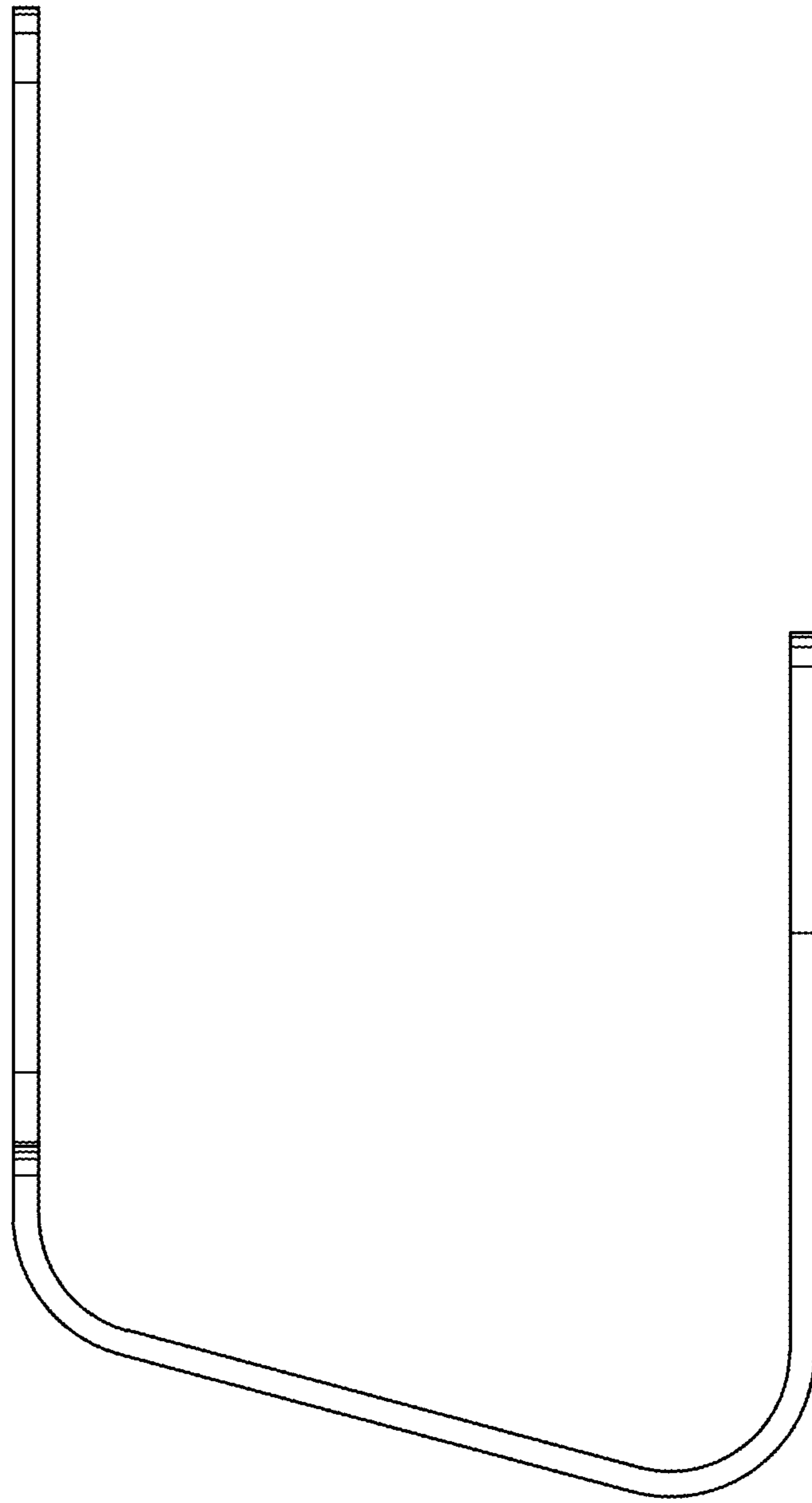


Fig. 4

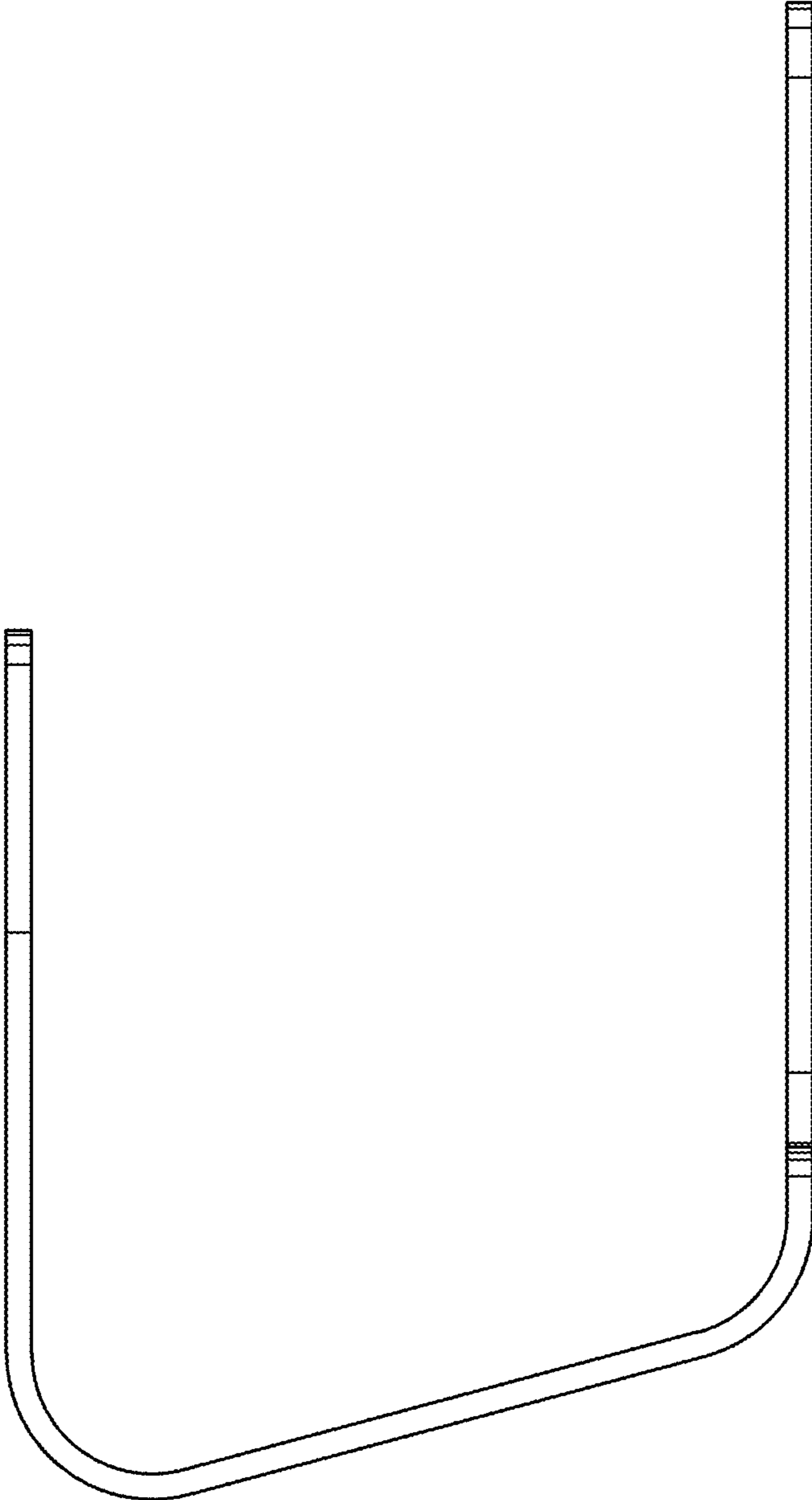


Fig. 5

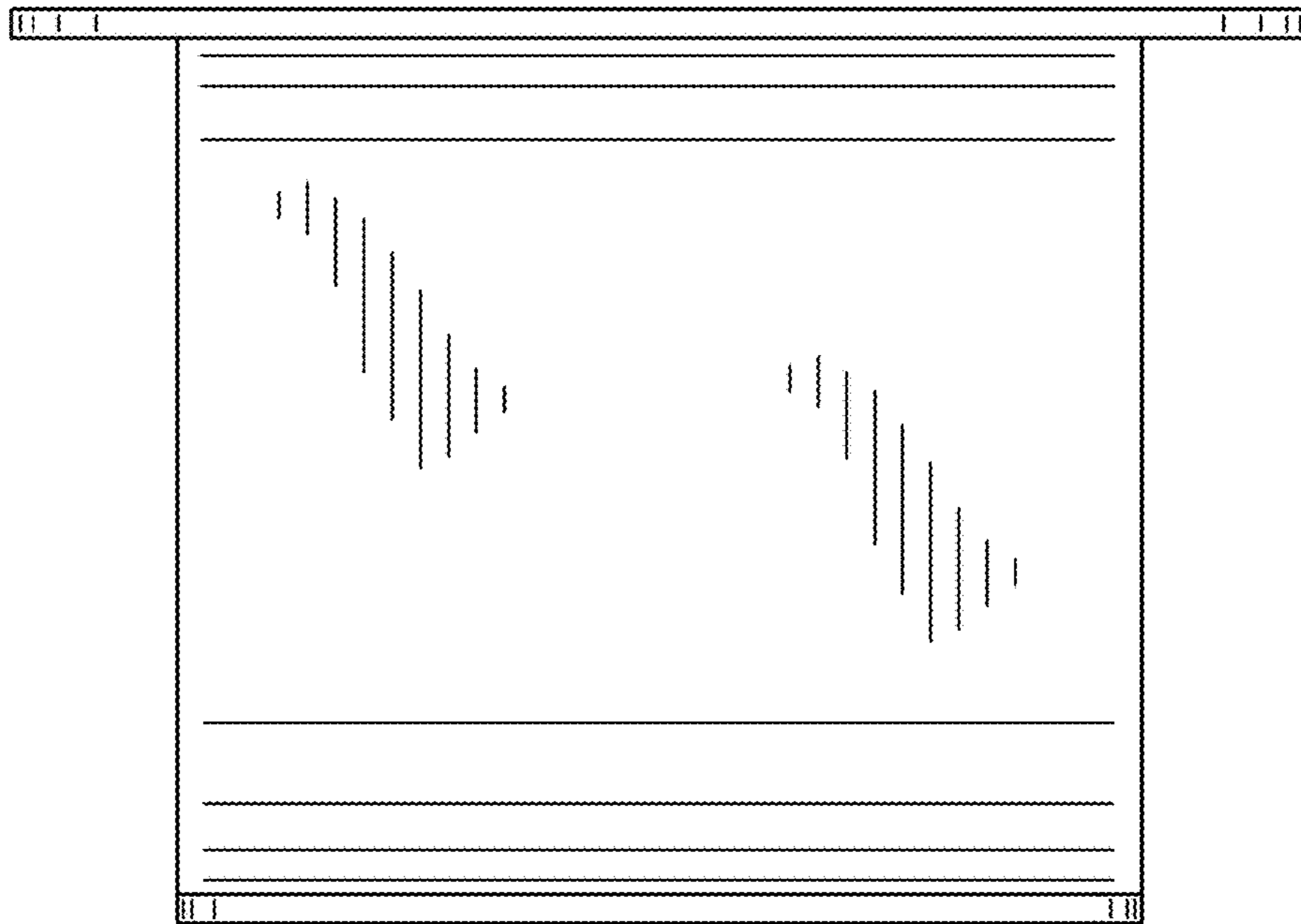


Fig. 6

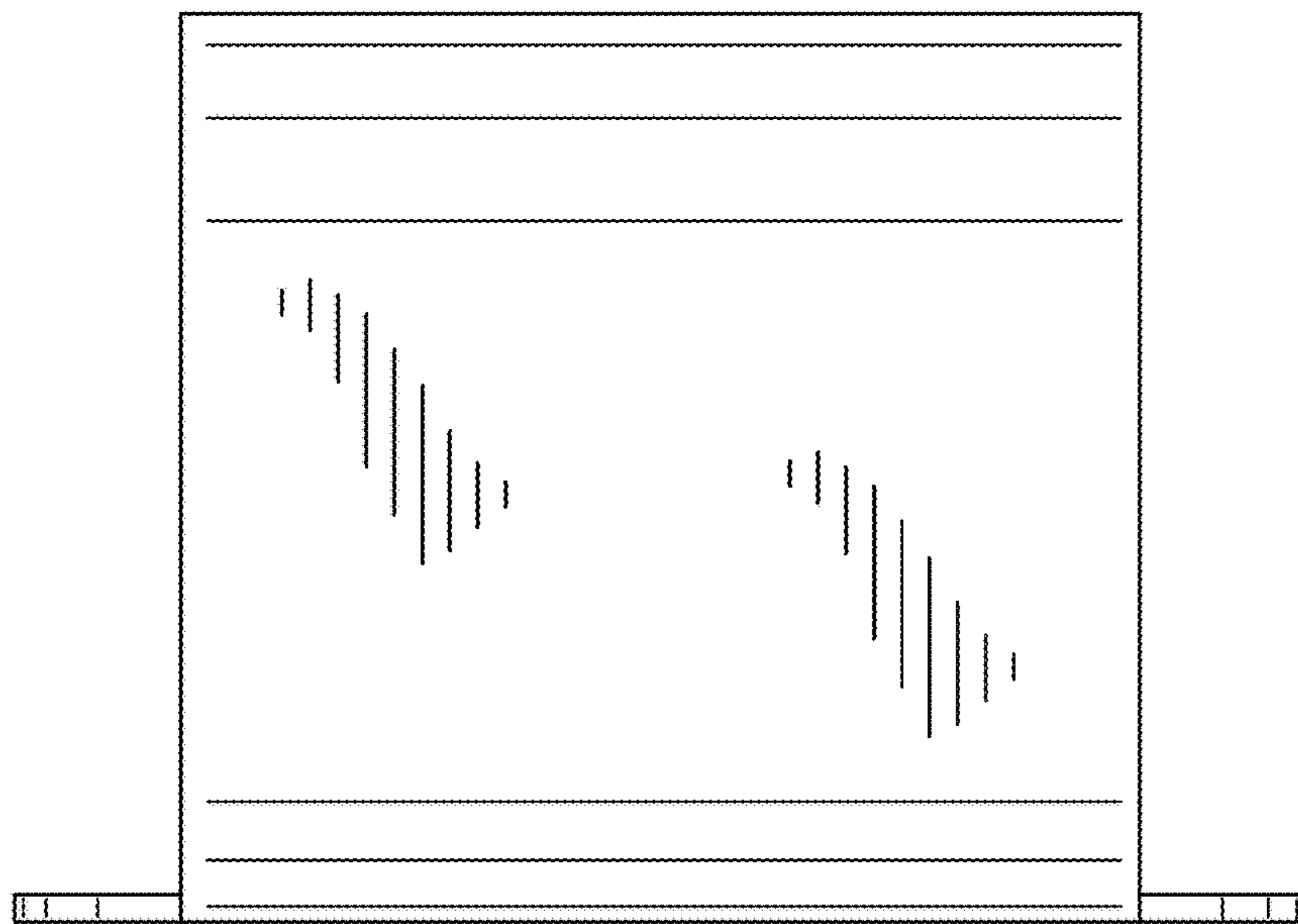


Fig. 7