



US00D819426S

(12) **United States Design Patent** (10) **Patent No.:** **US D819,426 S**
Smith et al. (45) **Date of Patent:** **** Jun. 5, 2018**

(54) **LIGHTED WALL PLATE**

(71) Applicants: **Jeremy C. Smith**, Orem, UT (US);
Phillip W. Dietz, St. George, UT (US);
Martin Johnson, Draper, UT (US)

(72) Inventors: **Jeremy C. Smith**, Orem, UT (US);
Phillip W. Dietz, St. George, UT (US);
Martin Johnson, Draper, UT (US)

(73) Assignee: **SnapRays, LLC**, Provo, UT (US)

(**) Term: **15 Years**

(21) Appl. No.: **29/598,255**

(22) Filed: **Mar. 23, 2017**

Related U.S. Application Data

(63) Continuation-in-part of application No. 15/145,749, filed on May 3, 2016, now Pat. No. 9,787,025, which is a continuation-in-part of application No. 14/549,143, filed on Nov. 20, 2014, now Pat. No. 9,362,728, which is a continuation-in-part of application No. 14/066,621, filed on Oct. 29, 2013, now Pat. No. 9,035,180.

(51) **LOC (11) Cl.** **11-05**

(52) **U.S. Cl.**
USPC **D8/353**

(58) **Field of Classification Search**

USPC D8/350, 353; D13/139.1–139.8, 146, D13/147, 152, 154, 156, 158, 169, 171, D13/173, 17, 184; 362/95; 174/66, 67; 220/241, 242; 439/136, 143, 328
CPC .. H01R 24/78; H01R 2103/00; H01R 13/665; H01R 13/717; H01R 25/006; H02G 3/081; H02G 3/18; H02G 3/14; H02G 3/123; F21Y 2115/10; F21Y 2101/00; F21V 33/006; F21V 33/00; F21S 8/035; H05B 33/0803; H05B 33/0809; H05B 33/0812; H05B 33/06; H05B 33/02; H01H 9/18; H01H 9/182; Y02B 20/343

See application file for complete search history.

(56) **References Cited**

U.S. PATENT DOCUMENTS

2,015,698 A * 10/1935 Tiffany H01H 9/161
174/56

2,227,549 A 1/1941 McNeill
(Continued)

FOREIGN PATENT DOCUMENTS

CA 2732657 2/2011
DE 202006006354 10/2007

(Continued)

OTHER PUBLICATIONS

Permaglo Night Light, www.costco.ca, accessed Mar. 21, 2017, pp. 1-4.

(Continued)

Primary Examiner — Mark Goodwin

(57) **CLAIM**

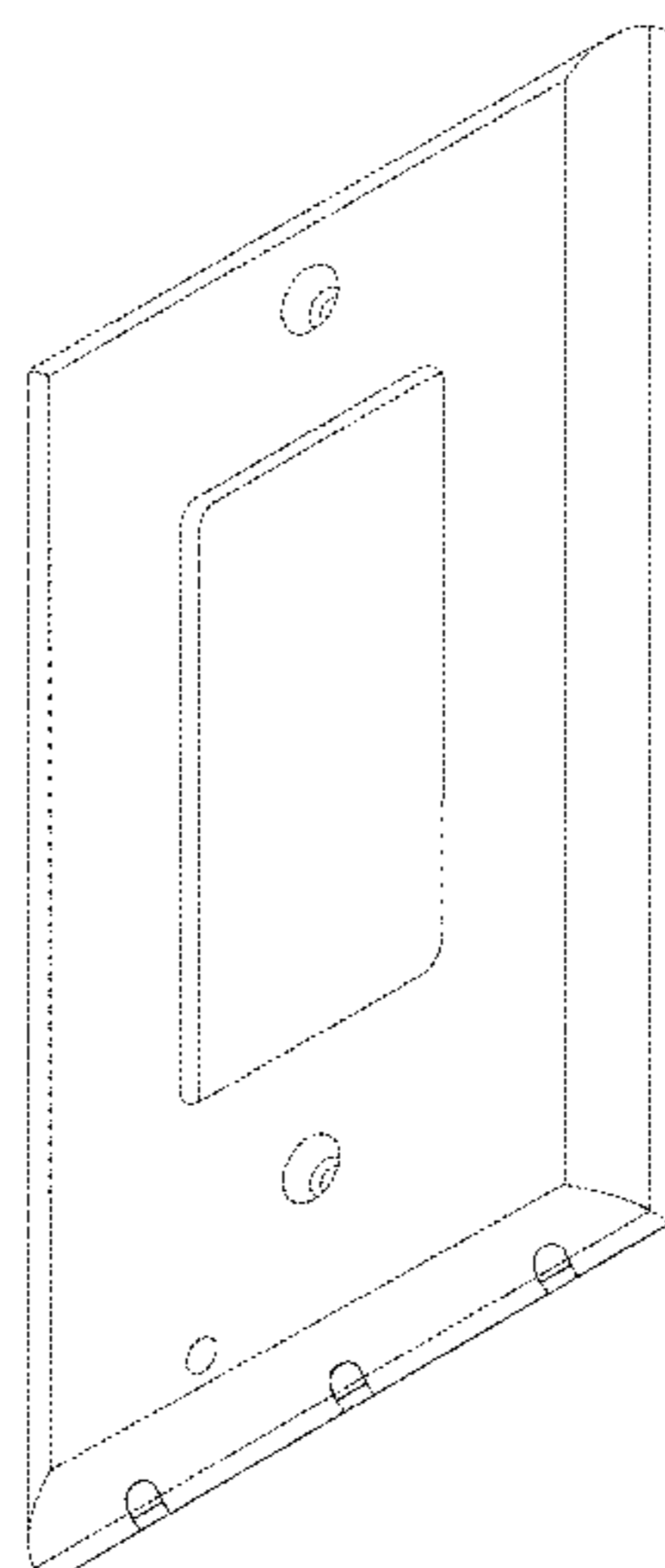
The ornamental design for a lighted wall plate, as shown and described.

DESCRIPTION

FIG. 1 is a perspective view of a lighted wall plate in accordance with my new design;
FIG. 2 is a front view thereof;
FIG. 3 is a top view thereof;
FIG. 4 is a bottom view thereof;
FIG. 5 is a left side view thereof; and,
FIG. 6 is a right view thereof.

The broken lines represent unclaimed subject matter and form no part of the claimed design. The back of the lighted wall plate is not visible during use and forms no part of the claimed design.

1 Claim, 2 Drawing Sheets



(56)

References Cited

U.S. PATENT DOCUMENTS

2,385,620 A	9/1945	Fleckenstein		D500,743 S	1/2005	Saviki, Jr. et al.	
2,428,167 A	9/1947	Linton		6,883,927 B2	4/2005	Cunningham et al.	
2,515,820 A	7/1950	Clark		6,974,910 B2	12/2005	Rohmer	
2,575,820 A	11/1951	Linton		7,011,422 B2	3/2006	Robertson et al.	
2,580,056 A	12/1951	Wheeler, Jr.		7,036,948 B1 *	5/2006	Wyatt	H01R 13/717 362/276
2,749,381 A	6/1956	Farish		7,064,498 B2	6/2006	Dowling et al.	
2,880,285 A	3/1959	Robison et al.		D542,627 S	5/2007	Rohmer et al.	
2,908,743 A	10/1959	Premoshis		7,247,793 B2	7/2007	Hinkson	
2,934,590 A	4/1960	Thompson et al.		7,270,436 B2	9/2007	Jasper	
3,120,414 A *	2/1964	Farish, Jr.	H01R 13/652 174/66	7,318,653 B2	1/2008	Chien	
				D561,558 S *	2/2008	Jackson	D8/353
				D561,559 S *	2/2008	Krumpe	D8/353
				D567,633 S	4/2008	Anderson	
3,307,030 A	2/1967	Francisco		7,360,912 B1	4/2008	Savicki, Jr.	
D212,760 S	11/1968	Bordner		D573,005 S *	7/2008	Huang	D8/353
3,522,595 A	8/1970	White		D576,566 S	9/2008	Wu et al.	
3,588,489 A	6/1971	Gaines		D577,985 S	10/2008	Kidman	
3,680,237 A	8/1972	Finnerty, Sr.		7,506,990 B2	3/2009	Glazner	
3,739,226 A	6/1973	Seiter et al.		7,547,131 B2	6/2009	Faunce et al.	
3,859,454 A	1/1975	Mann		7,576,285 B1	8/2009	Saviki, Jr.	
3,879,101 A	4/1975	McKissic		D603,984 S *	11/2009	Richter	D13/177
4,000,405 A	12/1976	Horwinski		D606,029 S	12/2009	Chou	
4,038,582 A	7/1977	Horwinski		7,745,750 B2	6/2010	Hewson et al.	
4,117,258 A	9/1978	Shanker		7,821,160 B1	10/2010	Roosli et al.	
4,255,780 A	3/1981	Sakellaris		7,850,322 B2	12/2010	Glazner et al.	
4,282,591 A	8/1981	Andreuccetti		7,918,667 B1 *	4/2011	Shim	H01R 13/7037 439/39
4,514,789 A	4/1985	Jester					
4,534,486 A	8/1985	Eidson		7,946,871 B1	5/2011	Yu et al.	
4,546,419 A	10/1985	Johnson		8,003,886 B1	8/2011	Rintz	
4,611,264 A	9/1986	Bradley		D650,112 S	12/2011	Bryant	
4,616,285 A	10/1986	Sackett		8,148,637 B2 *	4/2012	Davidson	H02G 3/14 174/66
4,617,613 A *	10/1986	Rice	F21S 8/035 362/95	D666,471 S *	9/2012	Peckham	D8/353
				8,304,652 B2	11/2012	McBain	
4,755,913 A	7/1988	Sleveland		8,393,747 B2	3/2013	Kevelos et al.	
4,774,641 A *	9/1988	Rice	F21S 8/035 174/66	8,511,866 B1	8/2013	Mendez	
				8,564,279 B2	10/2013	Johnson et al.	
D330,267 S	10/1992	Hendrix		8,668,347 B2	3/2014	Ebeling	
5,248,919 A	9/1993	Hanna		8,697,991 B2	4/2014	Davidson	
D230,274 S	2/1994	Polus		D719,699 S	12/2014	Bryant	
5,290,175 A	3/1994	Robinson		8,912,442 B2 *	12/2014	Smith	H02G 3/14 174/66
5,384,428 A *	1/1995	Luu	H01R 13/6666 174/66				
				D721,043 S *	1/2015	Tonnesen	D13/156
5,406,439 A	4/1995	Crane et al.		9,035,180 B2 *	5/2015	Smith	H02G 3/081 174/66
5,473,517 A	12/1995	Blackman					
D366,339 S	1/1996	Waller		9,035,181 B2 *	5/2015	Smith	H05K 5/03 174/66
5,481,442 A	1/1996	Dickie et al.					
5,485,356 A	1/1996	Nguyen		9,362,728 B2 *	6/2016	Smith	H02G 3/081
5,622,424 A	4/1997	Brady		9,464,795 B2 *	10/2016	Ebeling	H01R 13/5213
5,660,459 A	8/1997	Appelberg		9,482,426 B2 *	11/2016	Diotte	F21V 33/006
5,670,776 A	9/1997	Rothbaum		2001/0046130 A1	11/2001	Cunningham et al.	
5,683,166 A	11/1997	Lutzker		2003/0013503 A1	1/2003	Menard et al.	
D395,314 S	6/1998	Oikawa		2003/0124022 A1	7/2003	Georges et al.	
D399,825 S	10/1998	Heung et al.		2004/0247300 A1	12/2004	He et al.	
5,816,682 A	10/1998	Marischen		2005/0264383 A1	12/2005	Zhang	
D401,566 S	11/1998	Gesmondi		2006/0065510 A1	3/2006	Kiko et al.	
5,833,350 A	11/1998	Moreland		2006/0072302 A1 *	4/2006	Chien	F21S 8/035 362/84
D407,072 S	3/1999	Gaule					
5,914,826 A	6/1999	Smallwood		2006/0077684 A1	4/2006	Yuen	
6,000,807 A	12/1999	Moreland		2006/0161270 A1	7/2006	Luskin et al.	
6,010,228 A	1/2000	Blackman		2006/0170380 A1	8/2006	Evans	
3,023,021 A	2/2000	Matthews et al.		2006/0262462 A1	11/2006	Barton	
6,023,021 A	2/2000	Matthews et al.		2008/0073117 A1	3/2008	Misener	
D427,086 S *	6/2000	Gaule	D10/57	2008/0266121 A1	10/2008	Ellul	
6,087,588 A	7/2000	Soules		2009/0153438 A1	6/2009	Miller et al.	
6,089,893 A	7/2000	Yu et al.		2009/0225480 A1	9/2009	Baxter	
D429,829 S	8/2000	Doran		2009/0284385 A1 *	11/2009	Tang	H02G 3/12 340/638
D443,500 S *	6/2001	Luu	D26/26				
D456,239 S *	4/2002	Luu	D14/242				
6,390,647 B1	5/2002	Shaefer		2009/0322159 A1	12/2009	Dubose	
6,423,900 B1	7/2002	Soules		2011/0056720 A1	3/2011	Davidson	
D464,865 S	10/2002	Luu		2011/0210833 A1	9/2011	McNeely et al.	
6,457,843 B1	10/2002	Kester		2012/0008307 A1	1/2012	Delany	
D473,528 S	4/2003	Wengrower		2012/0068612 A1 *	3/2012	Ebeling	H01R 13/5213 315/159
6,547,411 B1	4/2003	Dornbusch					
6,765,149 B1	7/2004	Ku		2012/0156937 A1	6/2012	Almouli	
6,805,469 B1	10/2004	Barton		2012/0182172 A1	7/2012	Sorensen	
6,808,283 B2	10/2004	Tsao		2012/0215470 A1	8/2012	Maguire	

(56)

References Cited

U.S. PATENT DOCUMENTS

2012/0316808 A1 12/2012 Frader-Thompson et al.
2013/0063848 A1 3/2013 Thorpe et al.
2013/0221868 A1 8/2013 Diotte et al.
2015/0371534 A1 12/2015 Dimberg et al.
2017/0018890 A1 1/2017 St. Laurent et al.
2017/0018897 A1 1/2017 St. Laurent et al.
2017/0214188 A1* 7/2017 Smith H01R 13/665

FOREIGN PATENT DOCUMENTS

EP 2211210 3/2007
KR 1019930025223 6/1995
KR 1020080047328 11/2009
KR 1020090098056 4/2010
WO 2007122141 11/2007
WO 2012006812 1/2012
WO 2012033746 3/2012

OTHER PUBLICATIONS

PermaGLO Safety Lighting Products, www.permaglo.com,
accessed Mar. 21, 2017, 1 page.

Permaglo Night Light, www.costco.ca, accessed Mar. 21, 2017, 4
pgs.

TekSyCo Technical Systems Company—Plug into The Future, at
least as early as Jul. 16, 2009.

Perrmaglo Night Light, www.costco.ca, accessed Mar. 21, 2017, 4
pgs.

Permaglo Safety Lighting Products, www.permaglo.com, accessed
Mar. 21, 2017, 1 pg.

Request for Ex Parte Reexamination for U.S. Pat. No. 9,035,180,
May 19, 2015.

Request for Ex Parte Reexamination for U.S. Pat. No. 8,912,442,
May 19, 2015.

Ontel answer and Affirmative Defenses to Plaintiff's Second
Amended Complaint, U.S. District Court filing, Jun. 5, 2017.

Ontel Defendants LPR 2.2(b) Initial Disclosures, U.S. District Court
filing, Jul. 14, 2017.

Ontel Defendants LPR 2.4 Preliminary Non-Infringement and Inva-
lidity Contentions, Aug. 8, 2017.

Ontel Defendants Memorandum in Opposition to Plaintiff's Motion
for Leave to File a Second Amended Complaint, U.S. District Court
filing, Apr. 11, 2017.

* cited by examiner

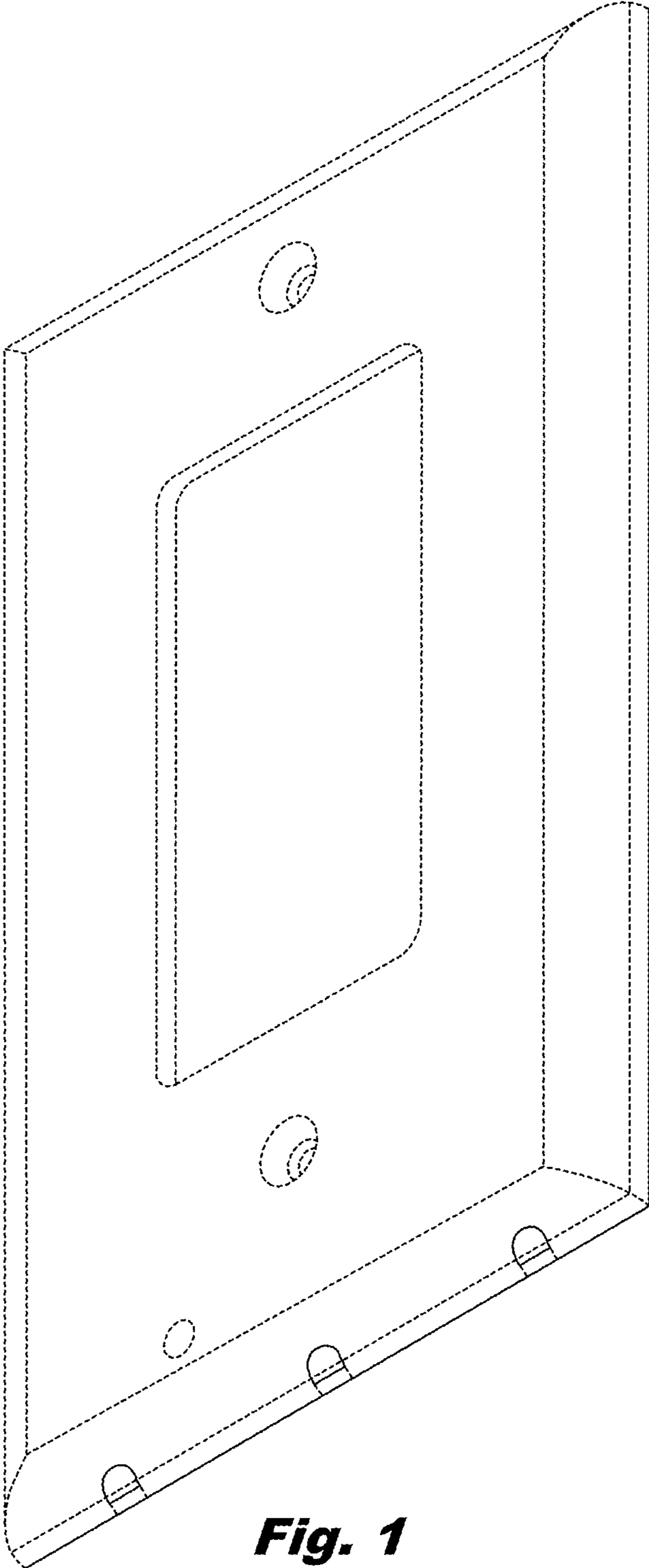


Fig. 1

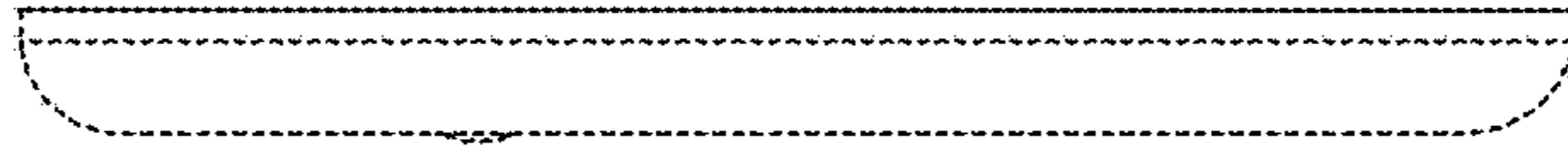


Fig. 3

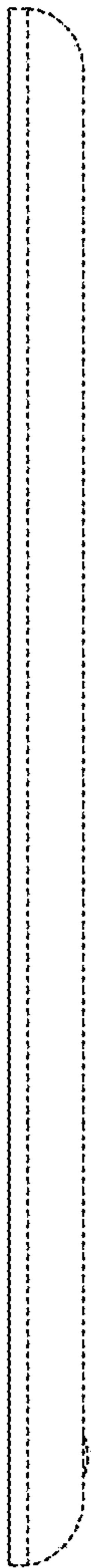


Fig. 5

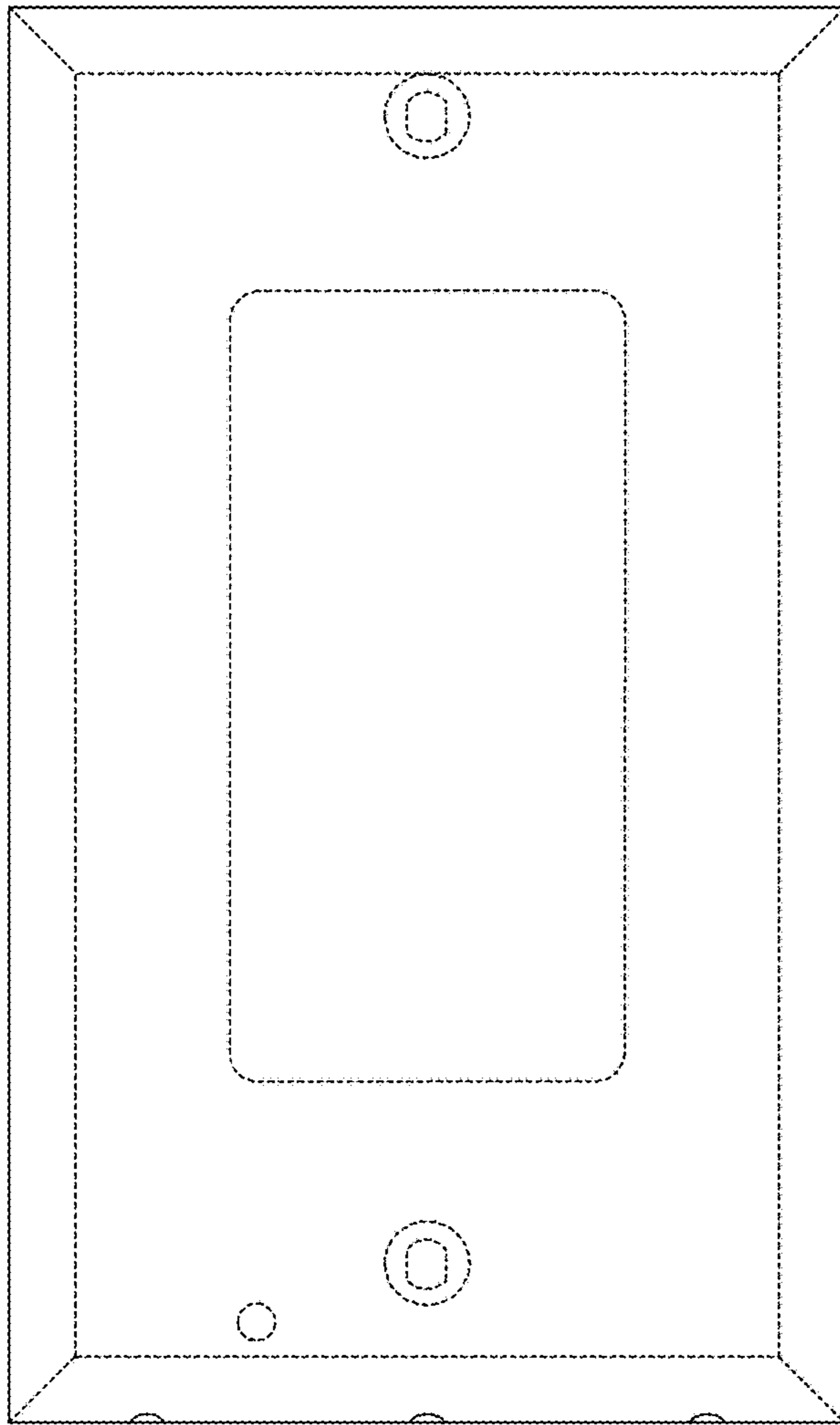


Fig. 2

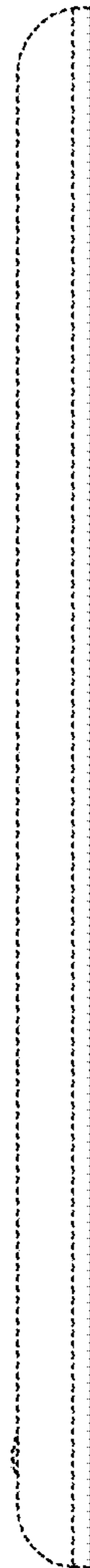


Fig. 6



Fig. 4