



US00D819425S

(12) **United States Design Patent**
Black et al.

(10) **Patent No.:** **US D819,425 S**
(45) **Date of Patent:** **** Jun. 5, 2018**

- (54) **WINDOW OPERATOR**
- (71) Applicant: **Pella Corporation**, Pella, IA (US)
- (72) Inventors: **Randy L. Black**, Newton, IA (US);
Stephanie Ann Sylvester, Pella, IA (US)
- (73) Assignee: **Pella Corporation**, Pella, IA (US)
- (**) Term: **15 Years**
- (21) Appl. No.: **29/589,215**
- (22) Filed: **Dec. 29, 2016**
- (51) **LOC (11) Cl.** **08-07**
- (52) **U.S. Cl.**
USPC **D8/337; D8/331**
- (58) **Field of Classification Search**
USPC D8/330, 331, 308, 346, 336-339; 70/89,
70/90; 292/240-242, 209, 210, 341.12,
292/341.13, DIG. 20, DIG. 47, DIG. 40,
292/DIG. 55
CPC E05C 3/00; E05C 3/02; E05C 3/04; E05C
3/14; E05C 7/00; E05B 9/02; E05B 9/08;
E05B 65/08; E05B 15/00
See application file for complete search history.

D450,237 S 11/2001 Vande Steeg et al.
6,312,275 B1 * 11/2001 Tortorella H01R 13/6395
361/759
D451,781 S 12/2001 Vande Steeg et al.

(Continued)

Primary Examiner — Prabhakar G Deshmukh
(74) *Attorney, Agent, or Firm* — Faegre Baker Daniels, LLP

(57) **CLAIM**

The ornamental design for a window operator, as shown and described.

DESCRIPTION

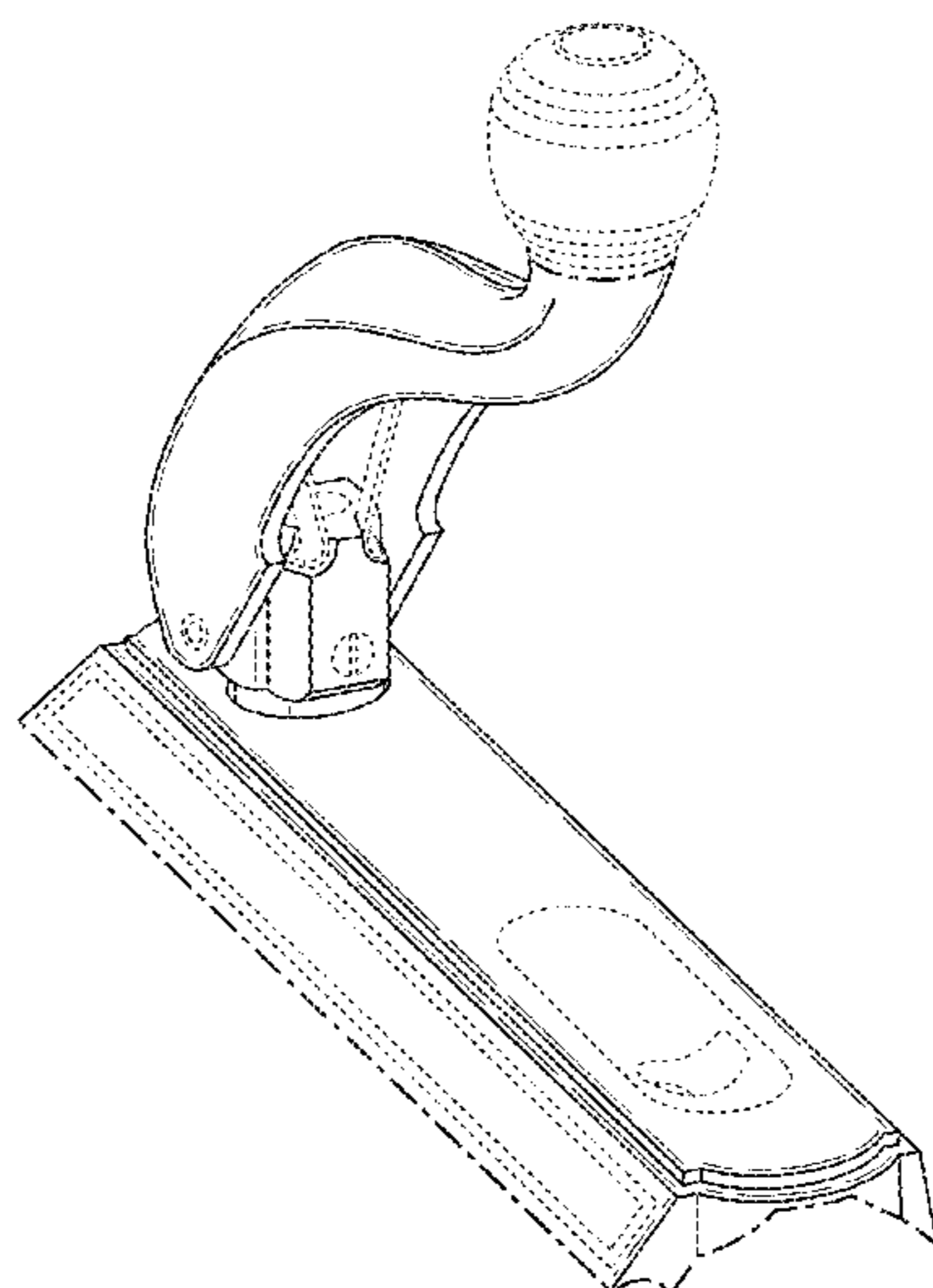
FIG. 1 is a top, front and left perspective view of a window operator in a first position;
 FIG. 2 is a left side elevational view thereof;
 FIG. 3 is a right side elevational view thereof;
 FIG. 4 is a front elevational view thereof;
 FIG. 5 is a rear elevational view thereof;
 FIG. 6 is a top plan view thereof; and
 FIG. 7 is a bottom plan view thereof;
 FIG. 8 is a top, front and left perspective view of the window operator thereof shown in a second position;
 FIG. 9 is a left side elevational view thereof, in the second position;
 FIG. 10 is a right side elevational view thereof, in the second position;
 FIG. 11 is a front elevational view thereof, in the second position;
 FIG. 12 is a rear elevational view thereof, in the second position;
 FIG. 13 is a top plan view thereof, in the second position; and,
 FIG. 14 is a bottom plan view thereof, in the second position.
 The broken lines adjacent to the surface shading define the bounds of the claim and said broken lines form no part of the claimed design.

(56) **References Cited**

U.S. PATENT DOCUMENTS

- 4,972,691 A * 11/1990 Knight E05B 13/103
70/213
- D350,666 S 9/1994 Wobschall et al.
- D361,490 S 8/1995 Vetter
- D365,513 S 12/1995 Vetter et al.
- 5,560,082 A 10/1996 Vetter
- 5,620,213 A * 4/1997 Ellis E05B 13/10
292/100
- D379,917 S 6/1997 Vetter et al.
- 5,740,632 A * 4/1998 Peterson E05F 11/00
49/460
- 6,164,156 A 12/2000 Purcell

1 Claim, 10 Drawing Sheets



(56)

References Cited

U.S. PATENT DOCUMENTS

D452,999 S	1/2002	Vande Steeg et al.	D551,942 S	10/2007	Vetter et al.
6,375,382 B1	4/2002	Clavet	D569,223 S *	5/2008	Zhang D8/337
6,450,063 B1	9/2002	Harvey et al.	D572,996 S	7/2008	Nolte et al.
6,634,683 B1 *	10/2003	Brannan E05B 9/082	D583,646 S	12/2008	Nolte et al.
		292/241	D591,146 S	4/2009	Dallmann et al.
D487,012 S *	2/2004	Stoll D8/337	D595,110 S *	6/2009	Berstler D8/331
D506,127 S	6/2005	Vetter et al.	D595,111 S	6/2009	Jones et al.
6,983,963 B2 *	1/2006	Eslick E05B 13/002	7,941,898 B2	5/2011	Liang et al.
		292/209	7,958,603 B2	6/2011	Franco et al.
D521,847 S	5/2006	Vetter et al.	D721,942 S *	2/2015	Liang D8/337
D522,837 S	6/2006	Vetter et al.	8,967,684 B2 *	3/2015	Phelps E05B 15/0006
7,066,505 B2	6/2006	Van Klompenburg et al.			292/240
D533,446 S	12/2006	Vetter	9,003,706 B2	4/2015	Meves et al.
7,147,256 B2	12/2006	Gill	D775,929 S *	1/2017	Liau D8/331
D536,950 S *	2/2007	Liang D8/331	2002/0066162 A1	6/2002	Klompenburg et al.
7,194,930 B2	3/2007	Dawson	2003/0088941 A1	5/2003	Rotondi
7,251,860 B2	8/2007	Liang et al.	2007/0273162 A1	11/2007	Schultz
			2008/0066382 A1	3/2008	Erickson
			2009/0256367 A1	10/2009	Schultz

* cited by examiner

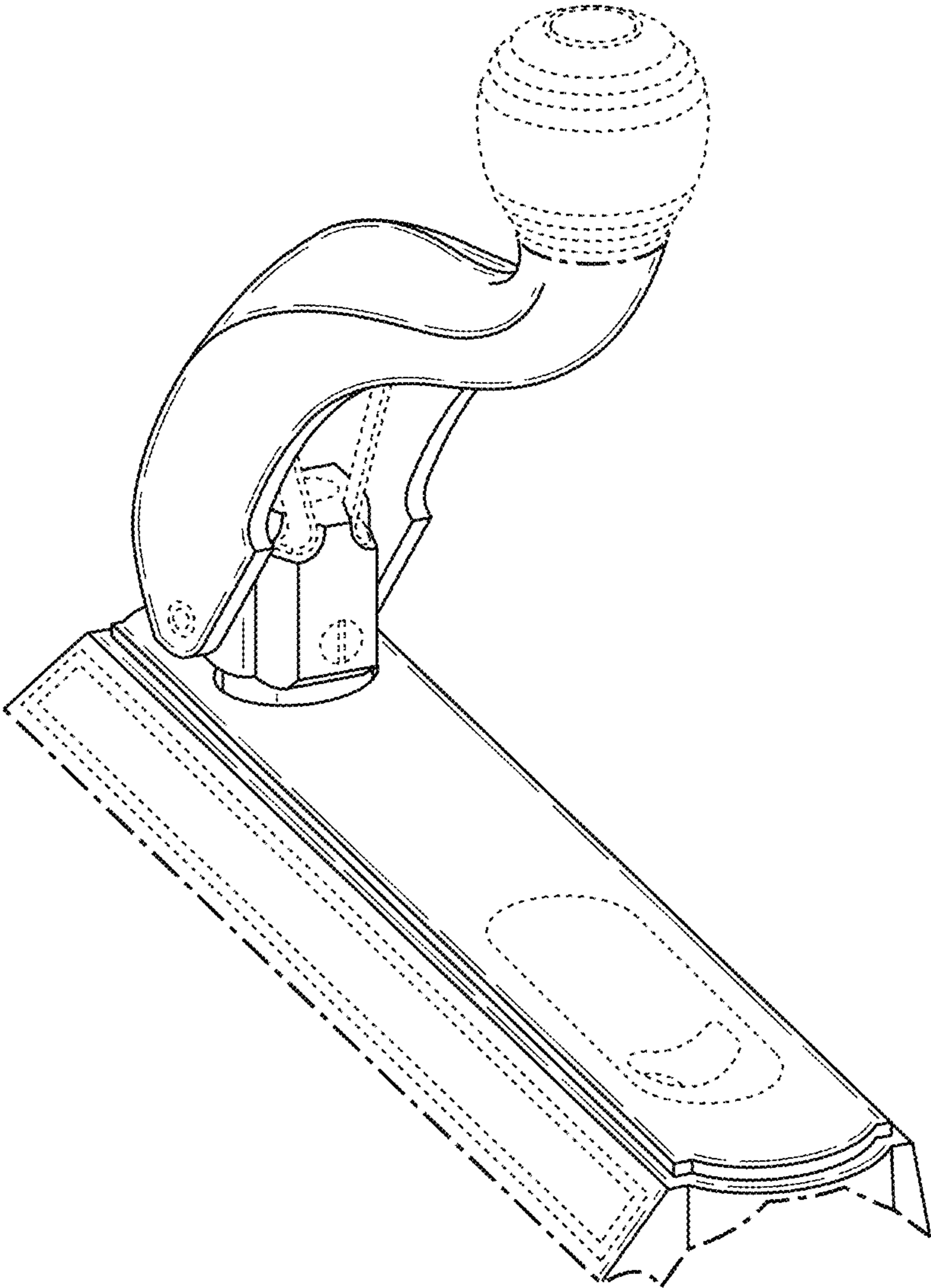


FIG. 1

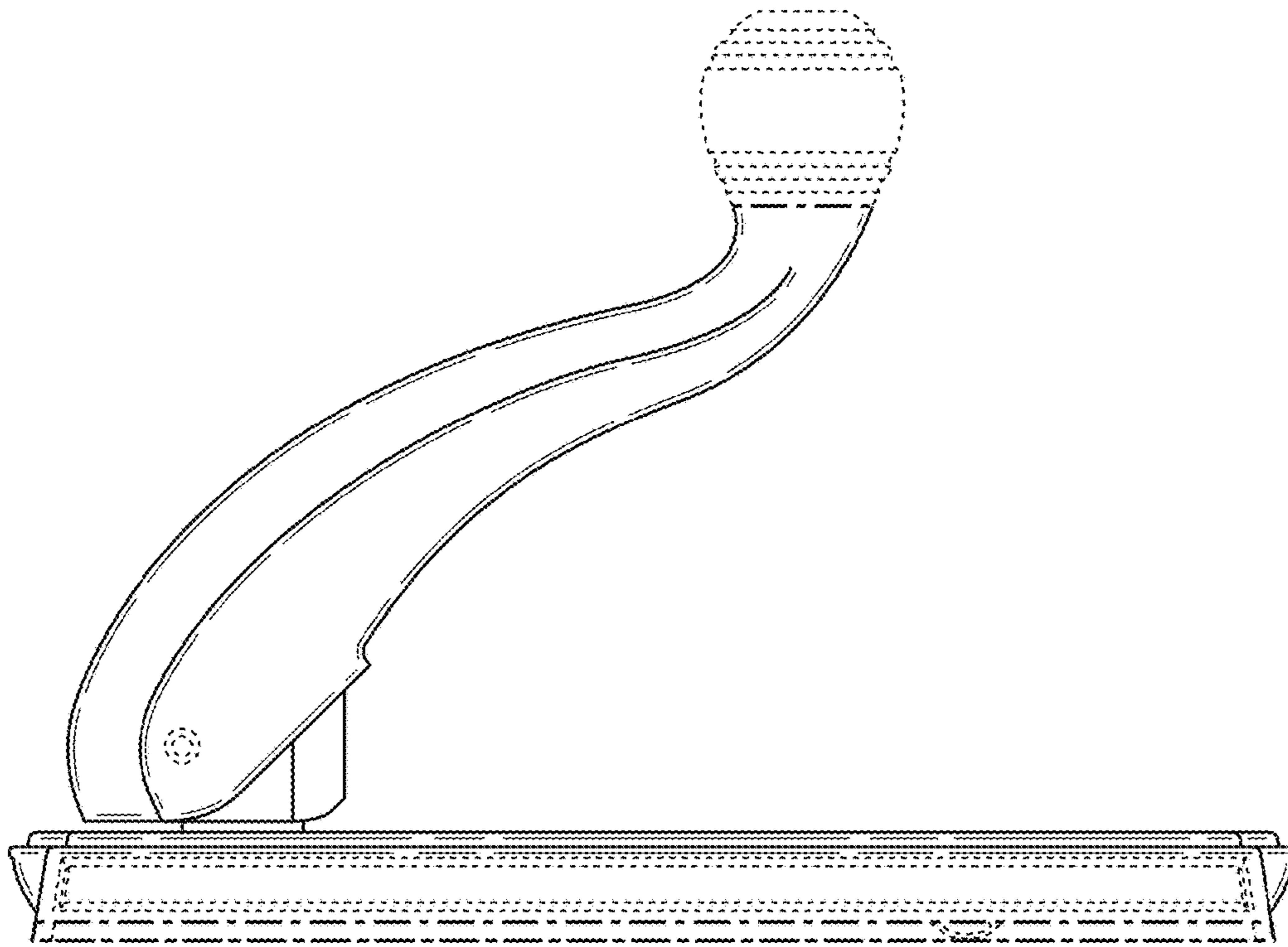


FIG. 2

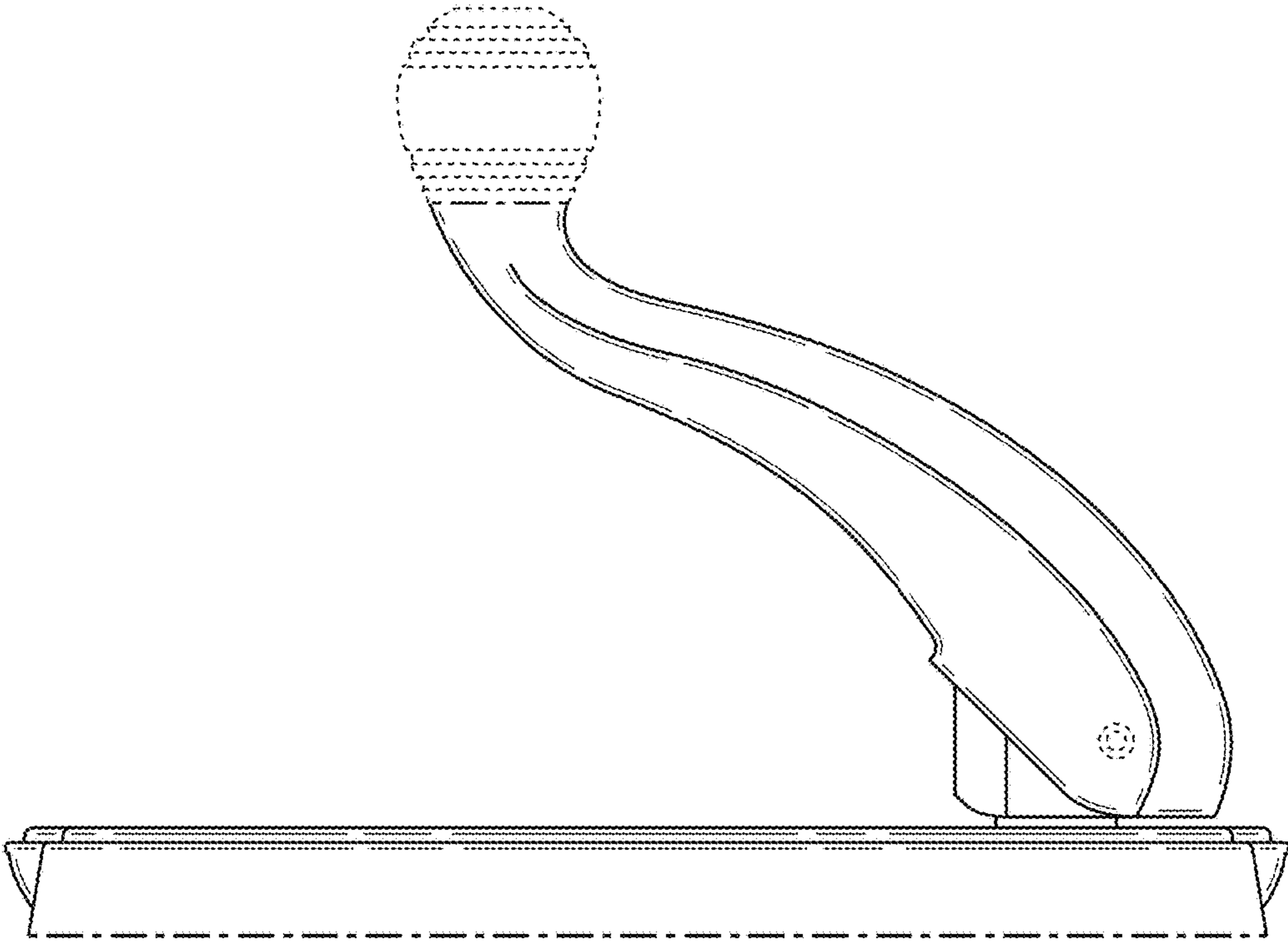


FIG. 3

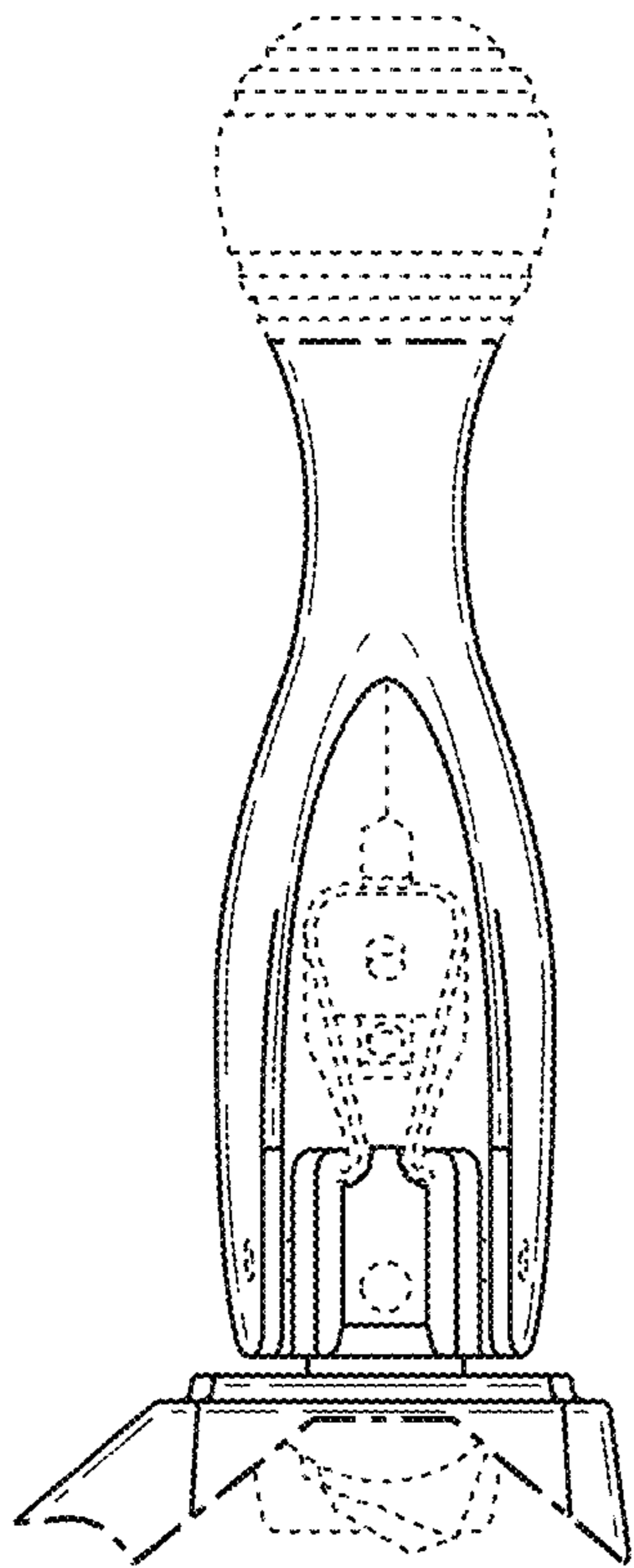


FIG. 4

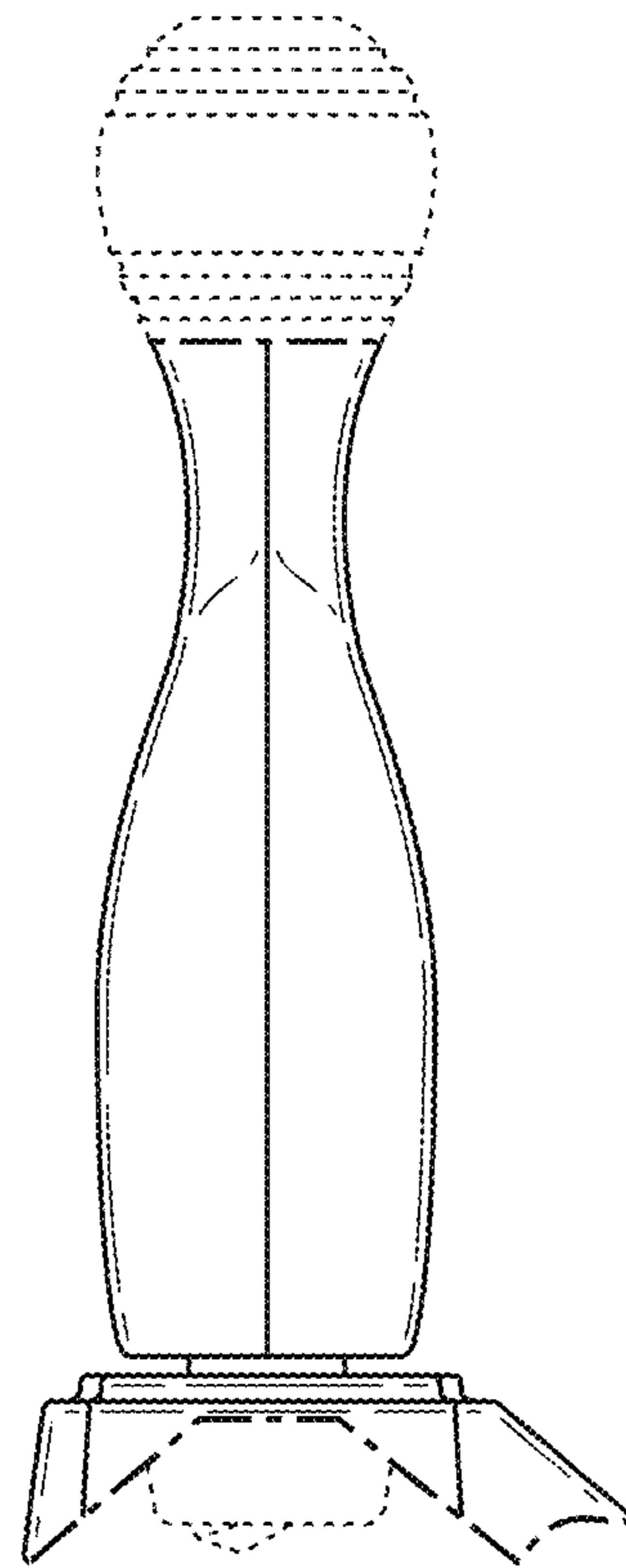


FIG. 5

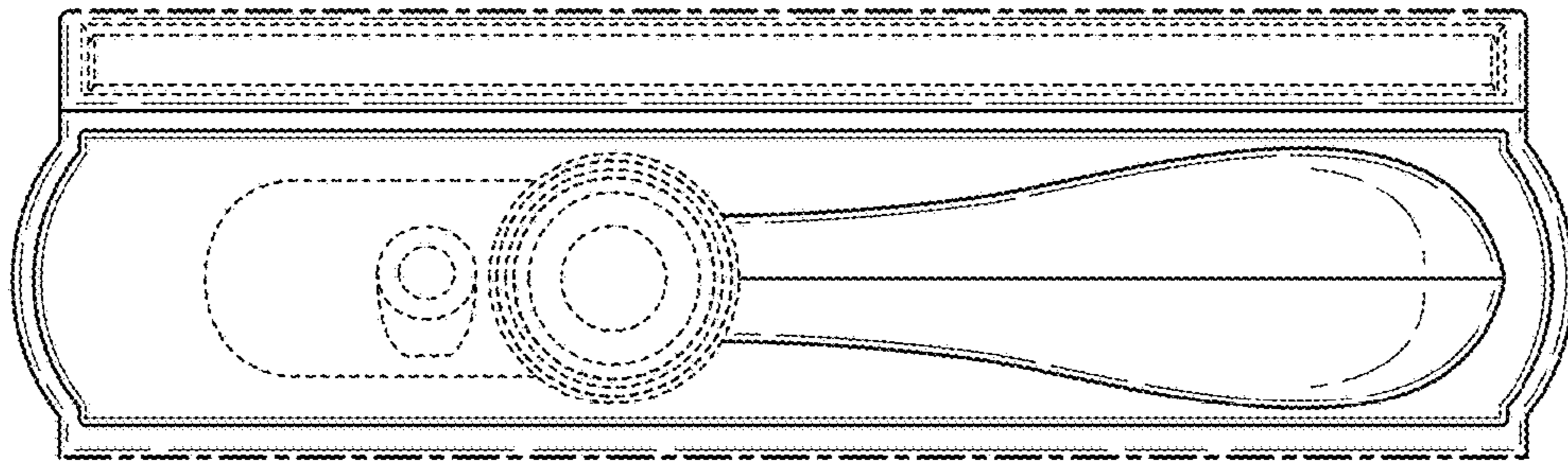


FIG. 6

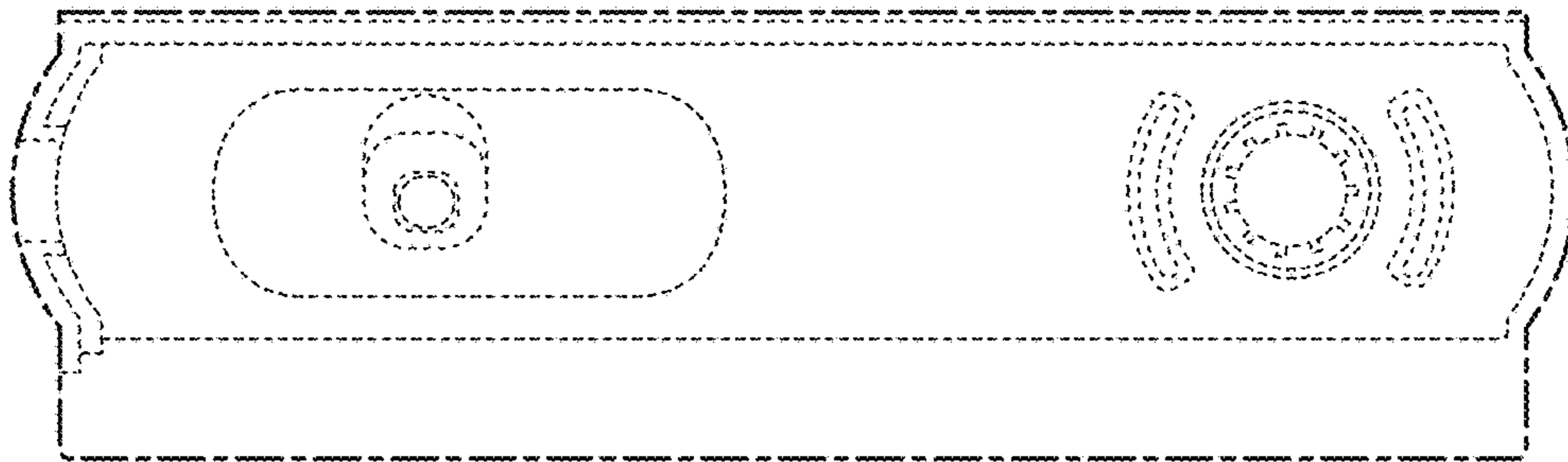


FIG. 7

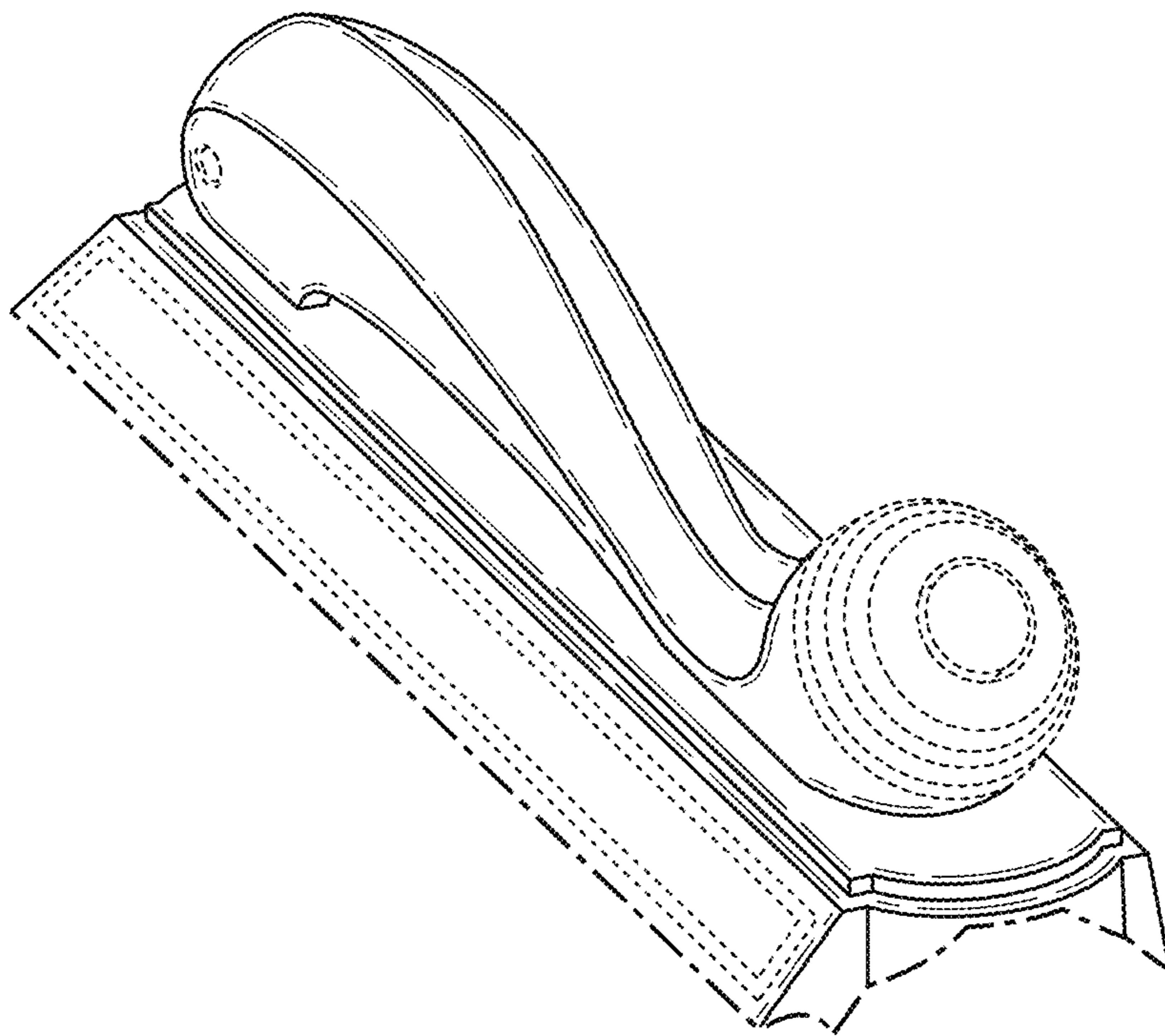


FIG. 8

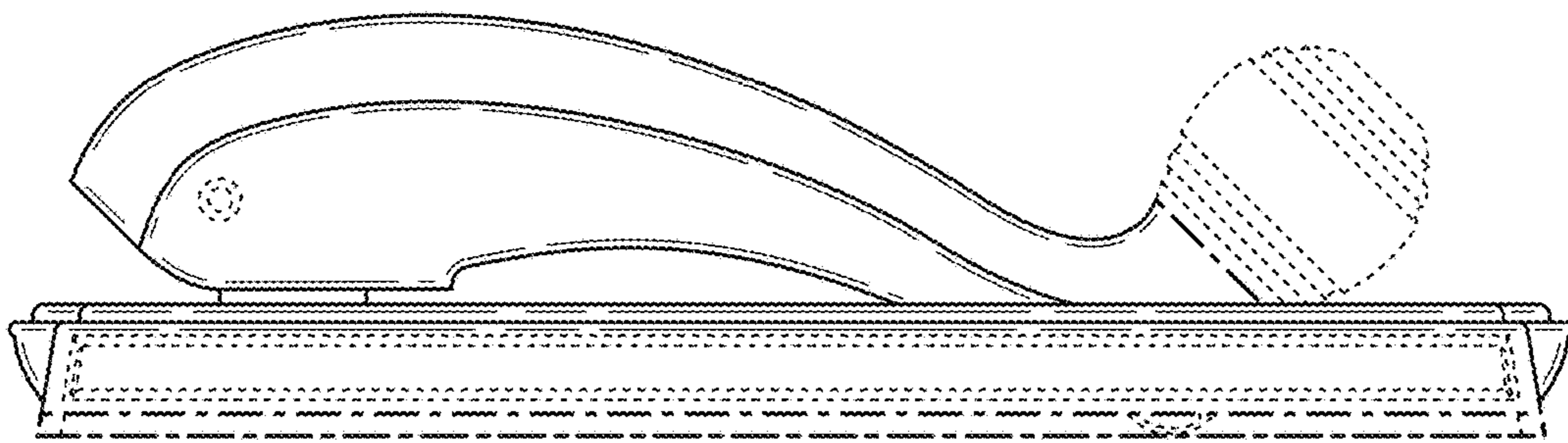


FIG. 9

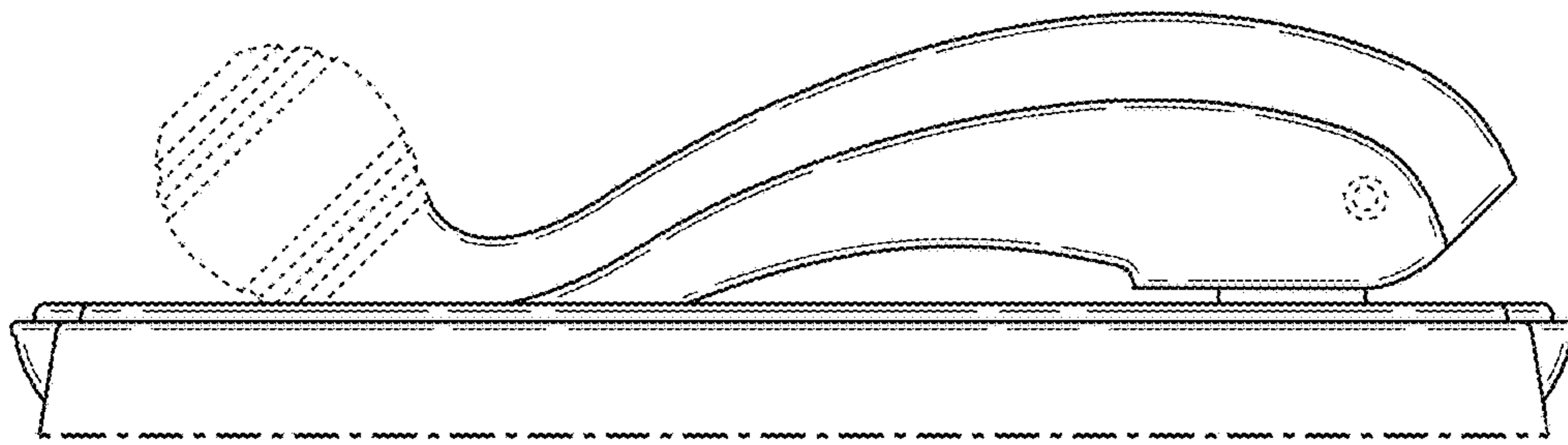


FIG. 10

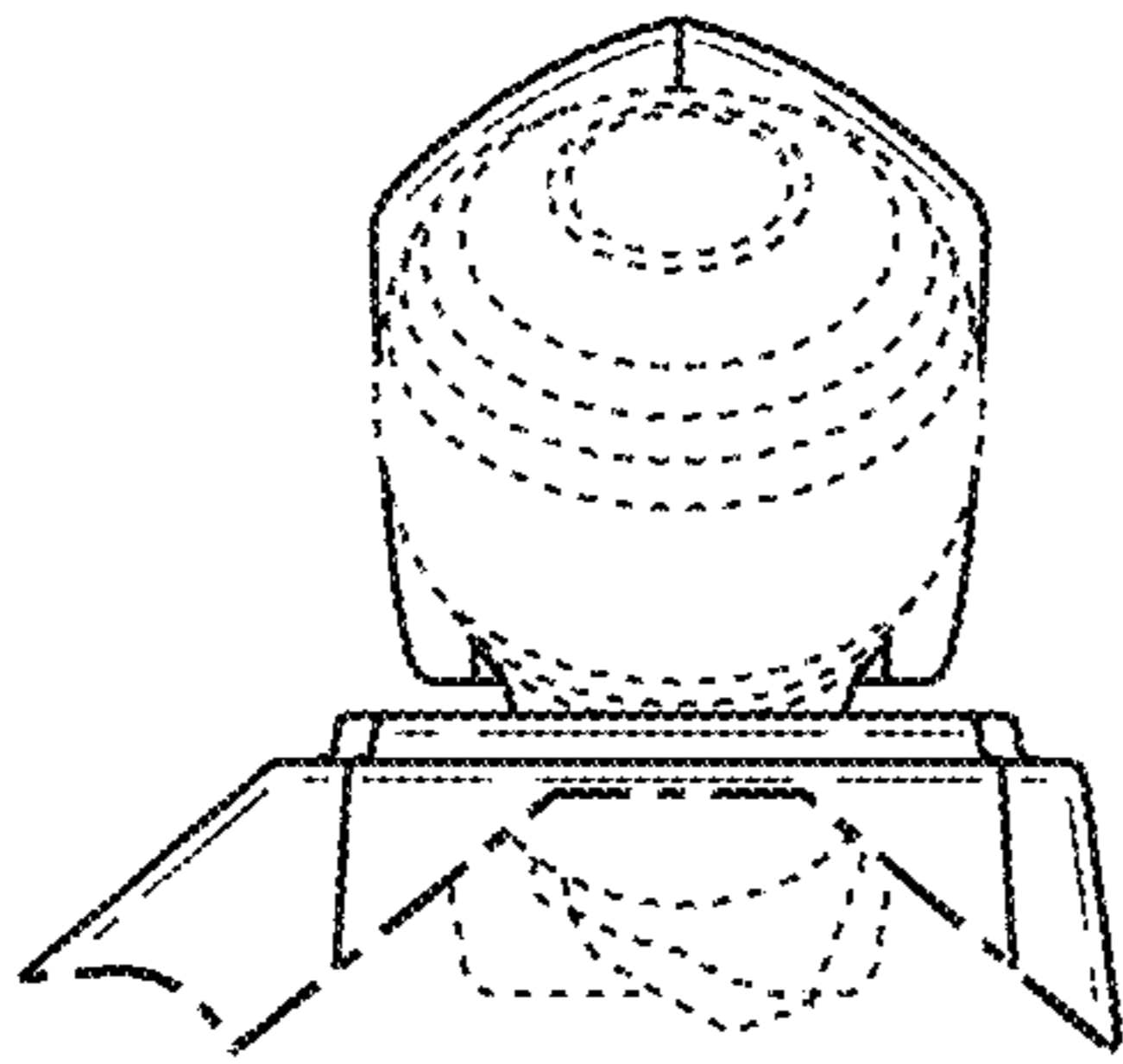


FIG. 11

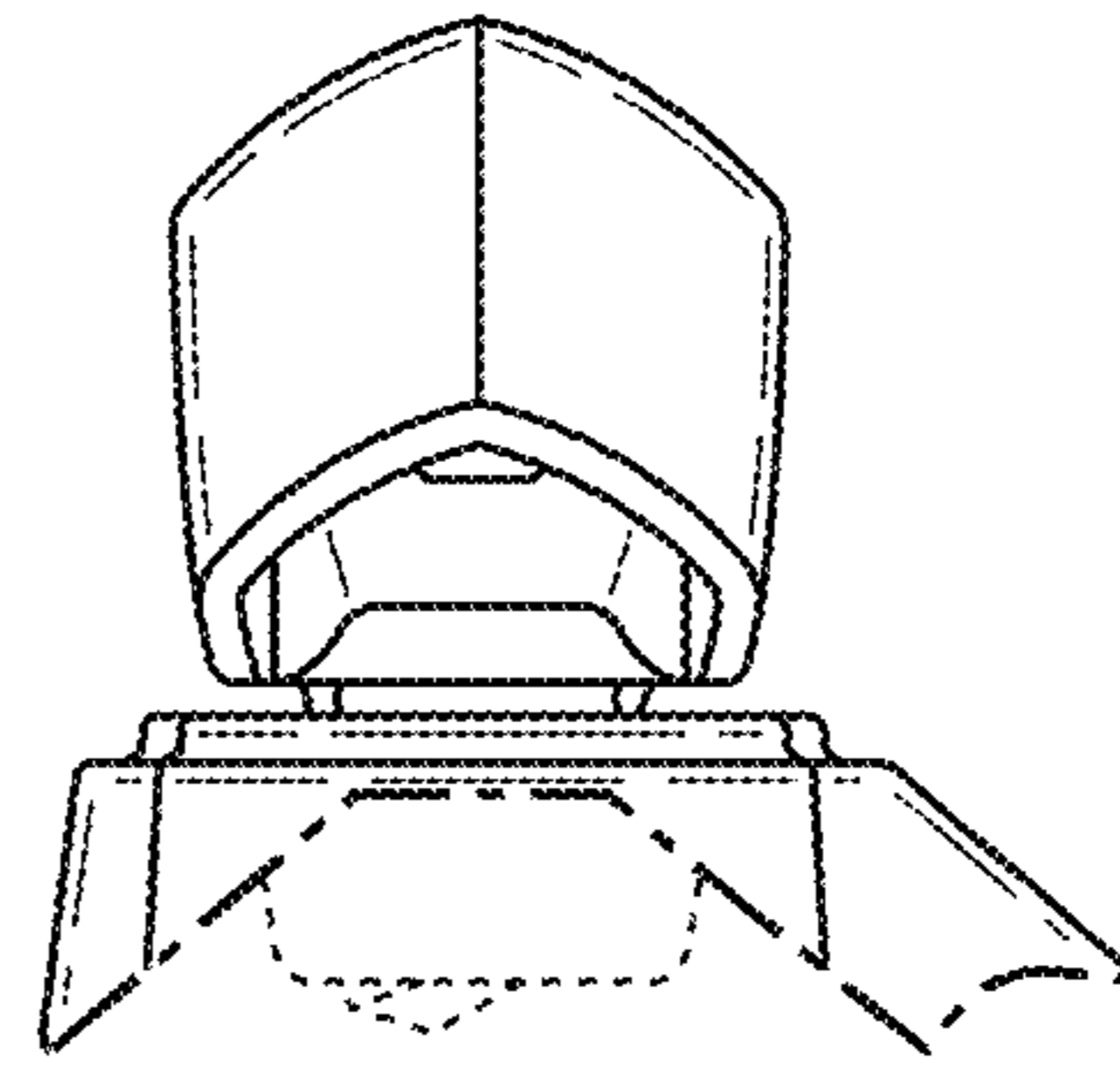


FIG. 12

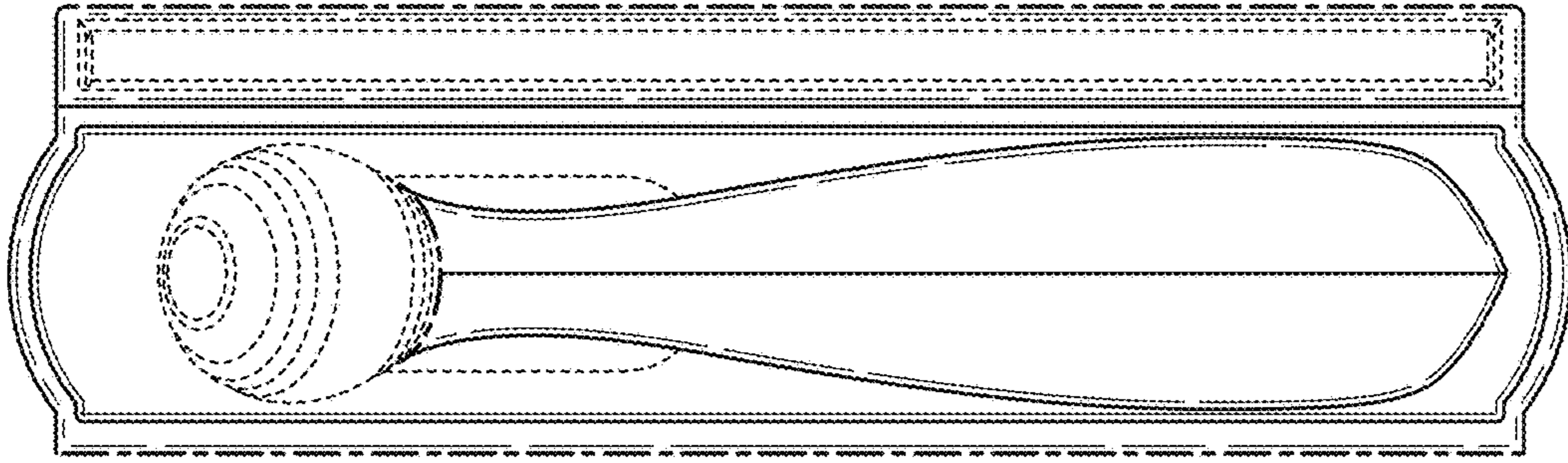


FIG. 13

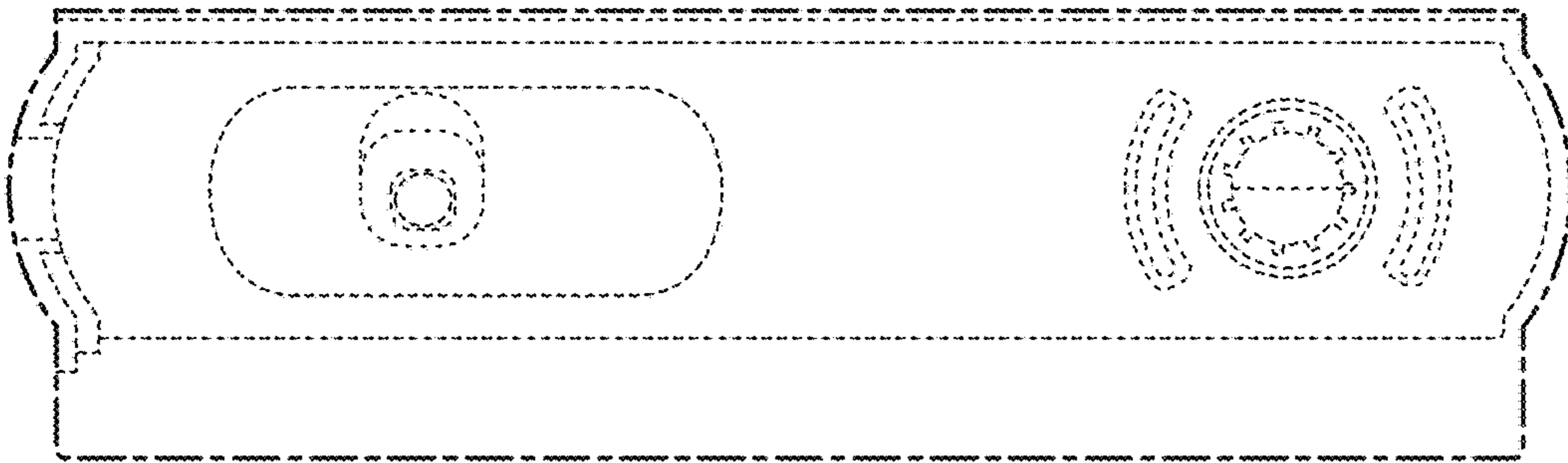


FIG. 14