



US00D819420S

(12) **United States Design Patent**  
**Andresen**

(10) **Patent No.:** **US D819,420 S**  
(45) **Date of Patent:** **\*\* Jun. 5, 2018**

(54) **AIR HAMMER PULLER ADAPTER**  
(71) Applicant: **Casey Tools, LLC**, Naperville, IL (US)  
(72) Inventor: **Harrold Andresen**, Duncanville, TX (US)  
(\*\*) Term: **15 Years**  
(21) Appl. No.: **29/583,062**  
(22) Filed: **Nov. 2, 2016**  
(51) **LOC (11) Cl.** ..... **08-05**  
(52) **U.S. Cl.**  
USPC ..... **D8/70**  
(58) **Field of Classification Search**  
USPC ..... D8/14, 44, 59, 60, 70, 90, 98, 314, 349, D8/358, 359, 360, 380, 382, 499; D12/96, 106, 217, 223, 400; D24/147; D32/35, 40, 46, 49  
CPC .. B23B 51/0045; F16B 13/002; F16B 13/065; F16B 21/10; F16B 2013/007; Y10T 408/5583; B66D 3/006; B66D 3/18; B66D 3/26; B66D 3/02; B66D 3/14  
See application file for complete search history.

(56) **References Cited**

U.S. PATENT DOCUMENTS

4,209,903 A \* 7/1980 Owens ..... A01G 3/06 294/50.7  
4,311,288 A \* 1/1982 Galland ..... B60P 7/0846 242/399  
D334,577 S \* 4/1993 Wheat ..... D15/139  
D345,288 S \* 3/1994 Hubal ..... D12/106  
D379,578 S \* 6/1997 Daniels ..... D8/70  
D400,411 S \* 11/1998 Ambrose ..... D8/14  
D419,414 S \* 1/2000 Pellak ..... D15/138  
D424,901 S \* 5/2000 Landry ..... D8/107  
6,102,637 A \* 8/2000 Mocci ..... B60P 7/083 410/100  
D440,476 S \* 4/2001 Del Gaone ..... D8/14

6,398,147 B1 \* 6/2002 Fredrickson ..... B65H 54/553 242/390.8  
6,398,470 B1 \* 6/2002 Mosley ..... B60P 7/0853 410/100  
D475,589 S \* 6/2003 Wilkinson ..... D8/29  
D477,763 S \* 7/2003 Hebert ..... D8/70  
6,705,597 B1 \* 3/2004 Reilly ..... B60P 7/0846 254/223  
6,863,430 B2 \* 3/2005 Berube ..... B01F 13/002 366/129  
D526,173 S \* 8/2006 Hudson ..... D8/44  
7,141,074 B2 \* 11/2006 Fanger ..... A61B 17/1617 606/80  
D576,007 S \* 9/2008 Murdock ..... D8/70  
D663,185 S \* 7/2012 Denning ..... D8/70  
D696,703 S \* 12/2013 Tsai ..... D15/138  
D703,814 S \* 4/2014 Bolia ..... D24/133  
D704,335 S \* 5/2014 Bolia ..... D24/133  
D750,946 S \* 3/2016 Hardman ..... D8/44  
D751,880 S \* 3/2016 Howell ..... D8/70

\* cited by examiner

*Primary Examiner* — Darlington Ly  
(74) *Attorney, Agent, or Firm* — John D Gugliotta

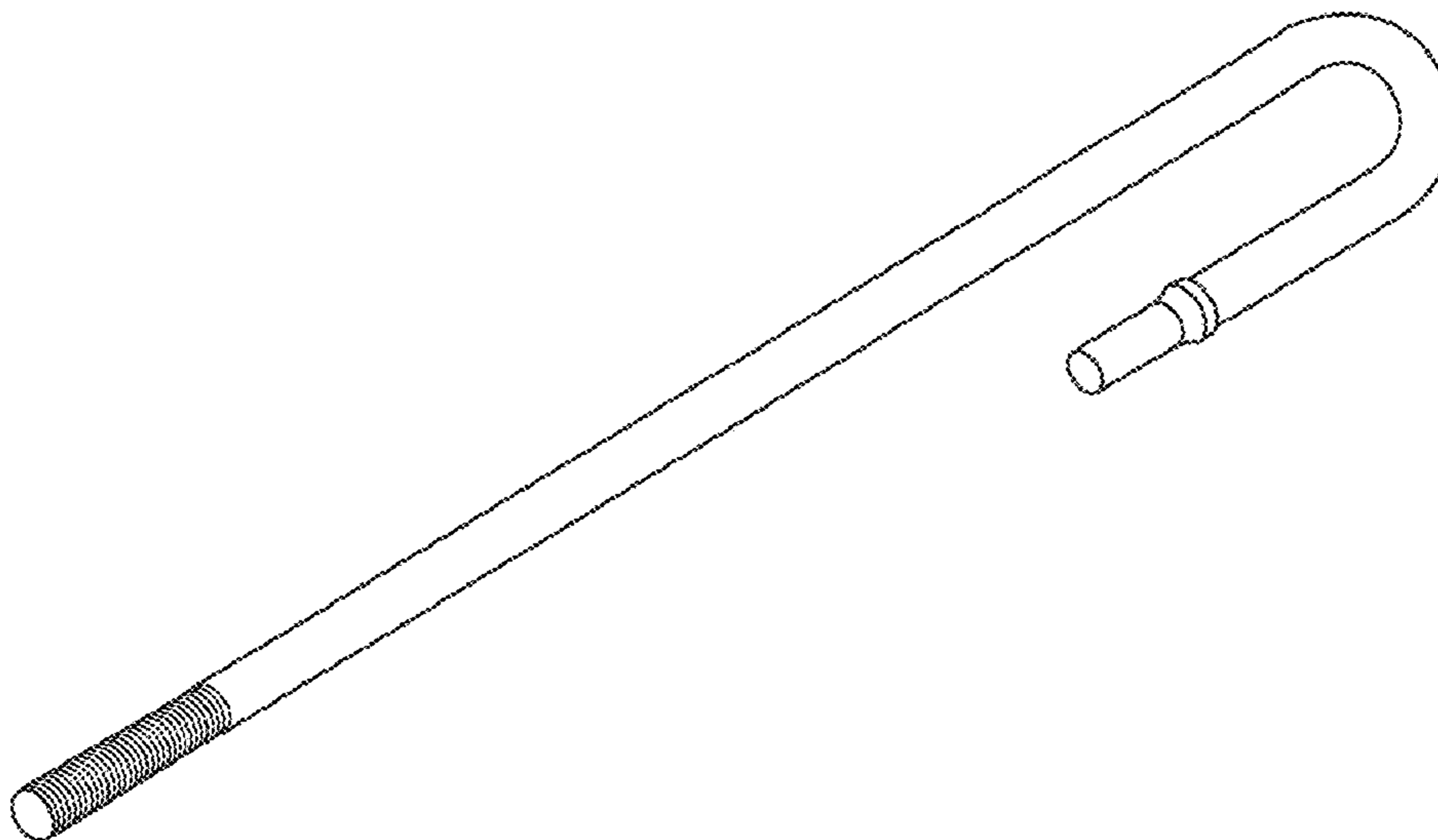
(57) **CLAIM**

The ornamental design for an air hammer puller adapter, as shown and described.

**DESCRIPTION**

FIG. 1 is a perspective view of an air hammer puller adapter showing my new design;  
FIG. 2 is a right side elevational view thereof;  
FIG. 3 is a left side elevational view thereof;  
FIG. 4 is a top plan view thereof;  
FIG. 5 is a bottom plan view thereof;  
FIG. 6 is a rear elevational view thereof; and,  
FIG. 7 is a front elevational view thereof.

**1 Claim, 2 Drawing Sheets**



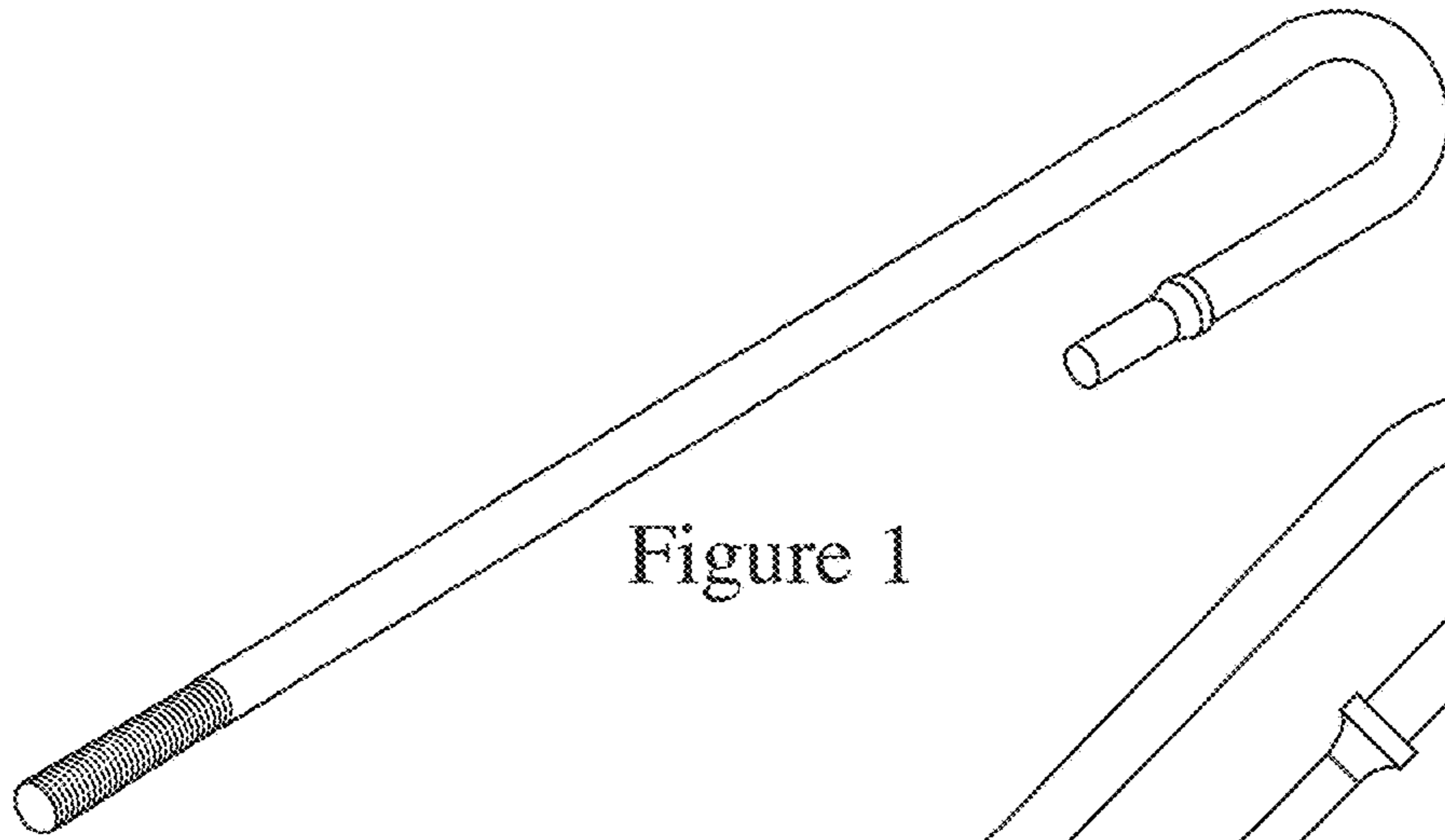


Figure 1

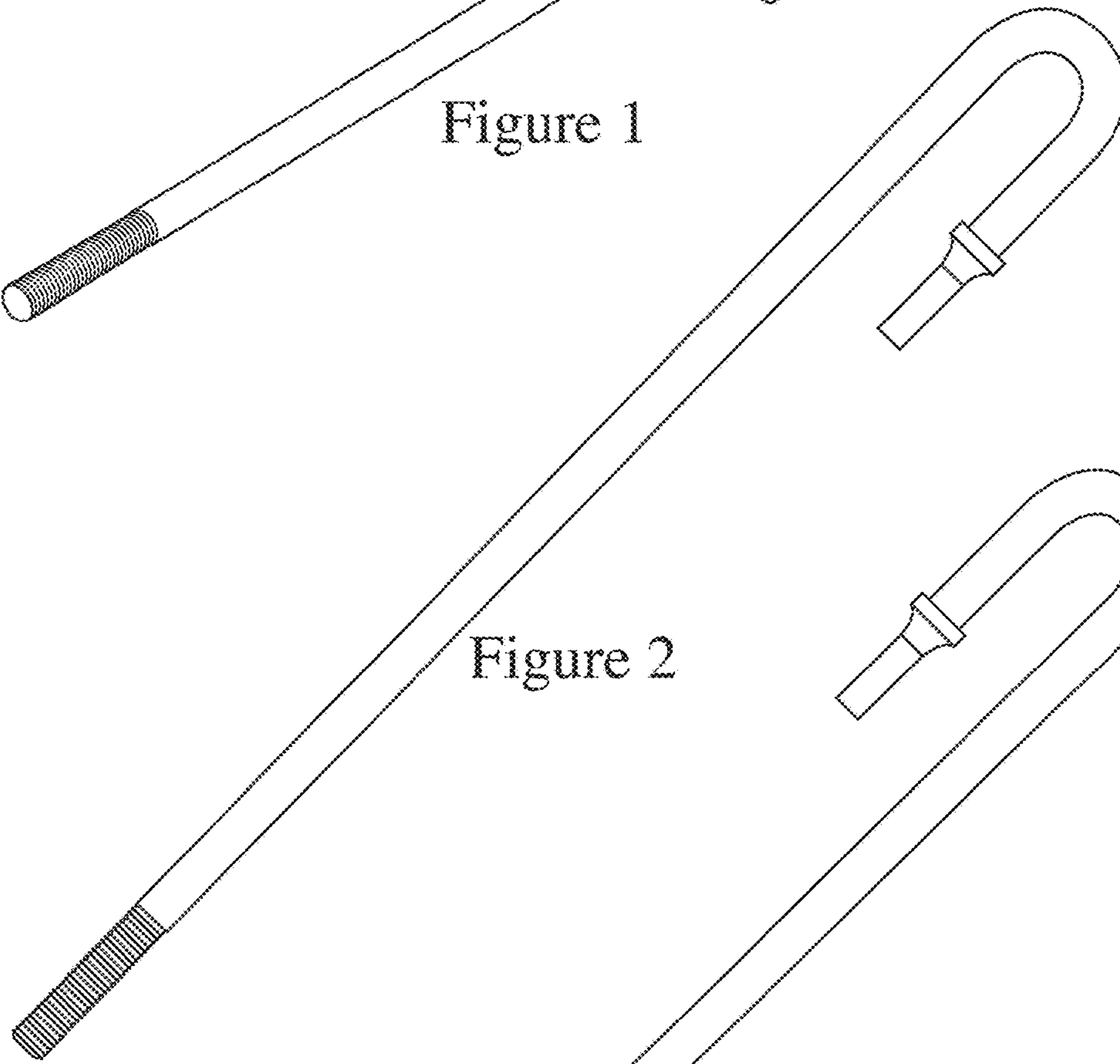


Figure 2

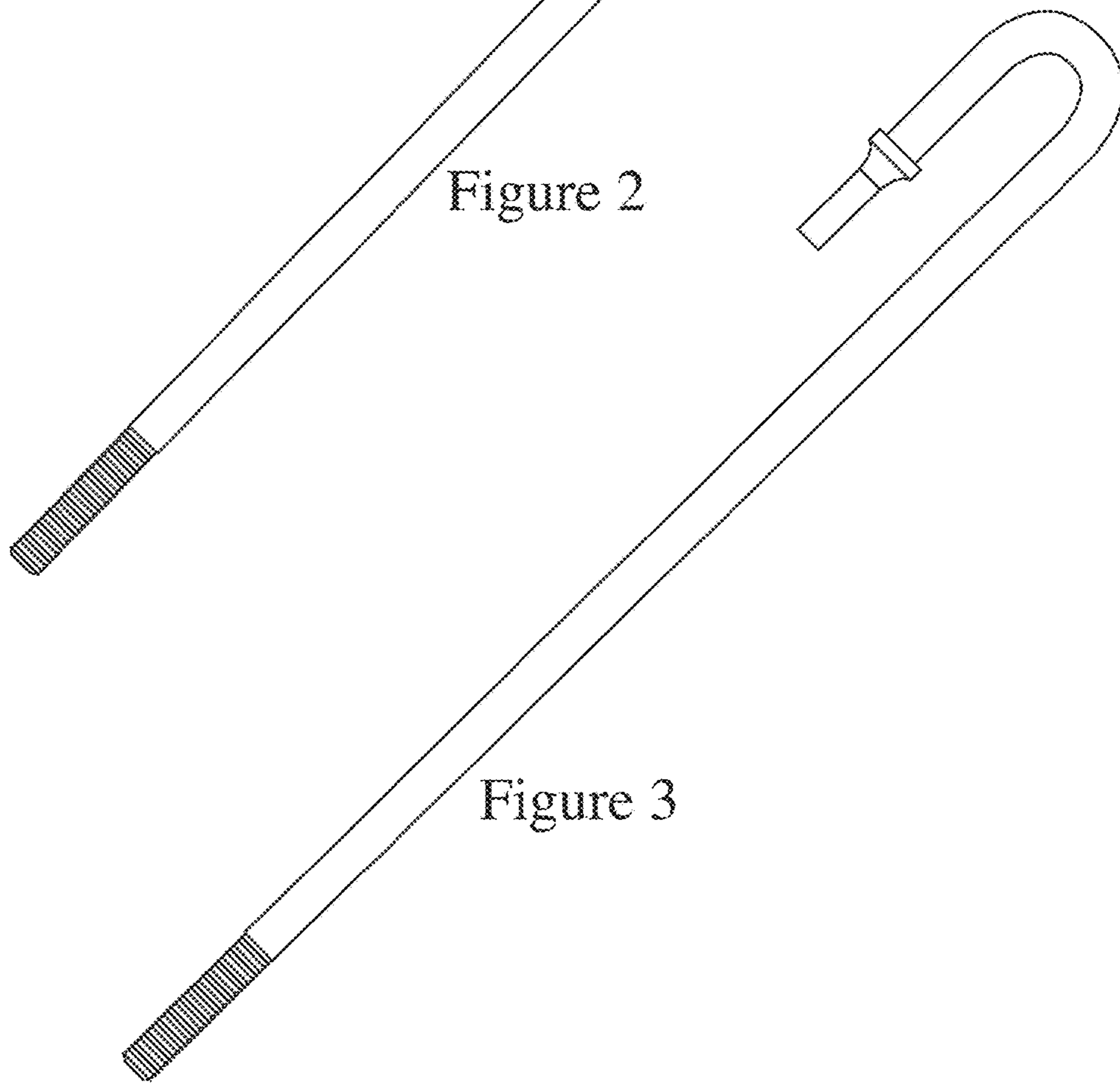


Figure 3

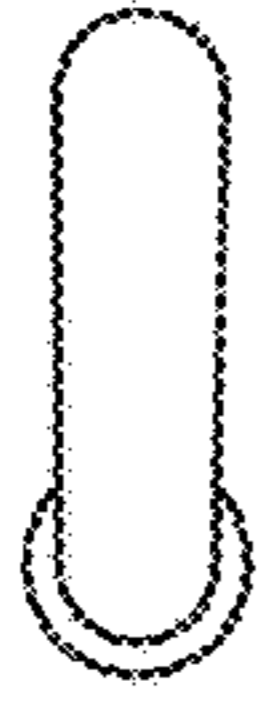


Figure 4



Figure 5

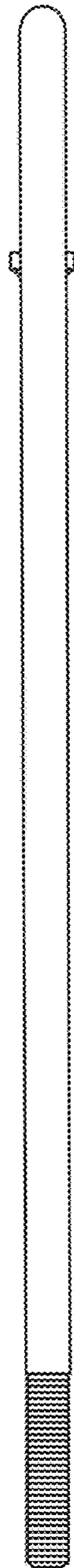


Figure 6



Figure 7