



US00D819417S

(12) **United States Design Patent** (10) **Patent No.:** **US D819,417 S**  
**Graykowski** (45) **Date of Patent:** **\*\* Jun. 5, 2018**

(54) **HANDLE FOR A PICK**  
(71) Applicant: **MILWAUKEE ELECTRIC TOOL CORPORATION**, Brookfield, WI (US)  
(72) Inventor: **Anthony Graykowski**, Port Washington, WI (US)  
(73) Assignee: **MILWAUKEE ELECTRIC TOOL CORPORATION**, Brookfield, WI (US)  
(\*\*) Term: **15 Years**  
(21) Appl. No.: **29/589,363**  
(22) Filed: **Dec. 30, 2016**  
(51) **LOC (11) Cl.** ..... **08-05**  
(52) **U.S. Cl.**  
USPC ..... **D8/47; D8/107**  
(58) **Field of Classification Search**  
USPC ..... D8/14, 82, 83, 84, 105, 107, 300, 303, D8/10, 11; D7/395; D4/138; D24/133; D32/52  
CPC ..... Y10T 16/47; Y10T 16/4986; B25F 1/00; B25G 1/102; B25G 1/105; B25G 1/125  
See application file for complete search history.

D577,955 S \* 10/2008 Kwan ..... D7/395  
D617,170 S \* 6/2010 Lai ..... D8/107  
D642,287 S \* 7/2011 Poland ..... D25/119  
D727,130 S \* 4/2015 Robinson ..... D8/83  
D797,539 S \* 9/2017 Lipscomb ..... D8/99  
2004/0200079 A1 10/2004 Stoughton et al.  
2008/0127473 A1 6/2008 Yu  
2014/0325816 A1 11/2014 Ng et al.

**FOREIGN PATENT DOCUMENTS**

CN 2209023 10/1995  
CN 201544179 8/2010  
GB 2321868 8/1998  
TW M468385 12/2013

\* cited by examiner

*Primary Examiner* — Phillip S Hyder

(74) *Attorney, Agent, or Firm* — Michael Best & Friedrich LLP

(57) **CLAIM**

I claim the ornamental design for a handle for a pick, as shown and described.

**DESCRIPTION**

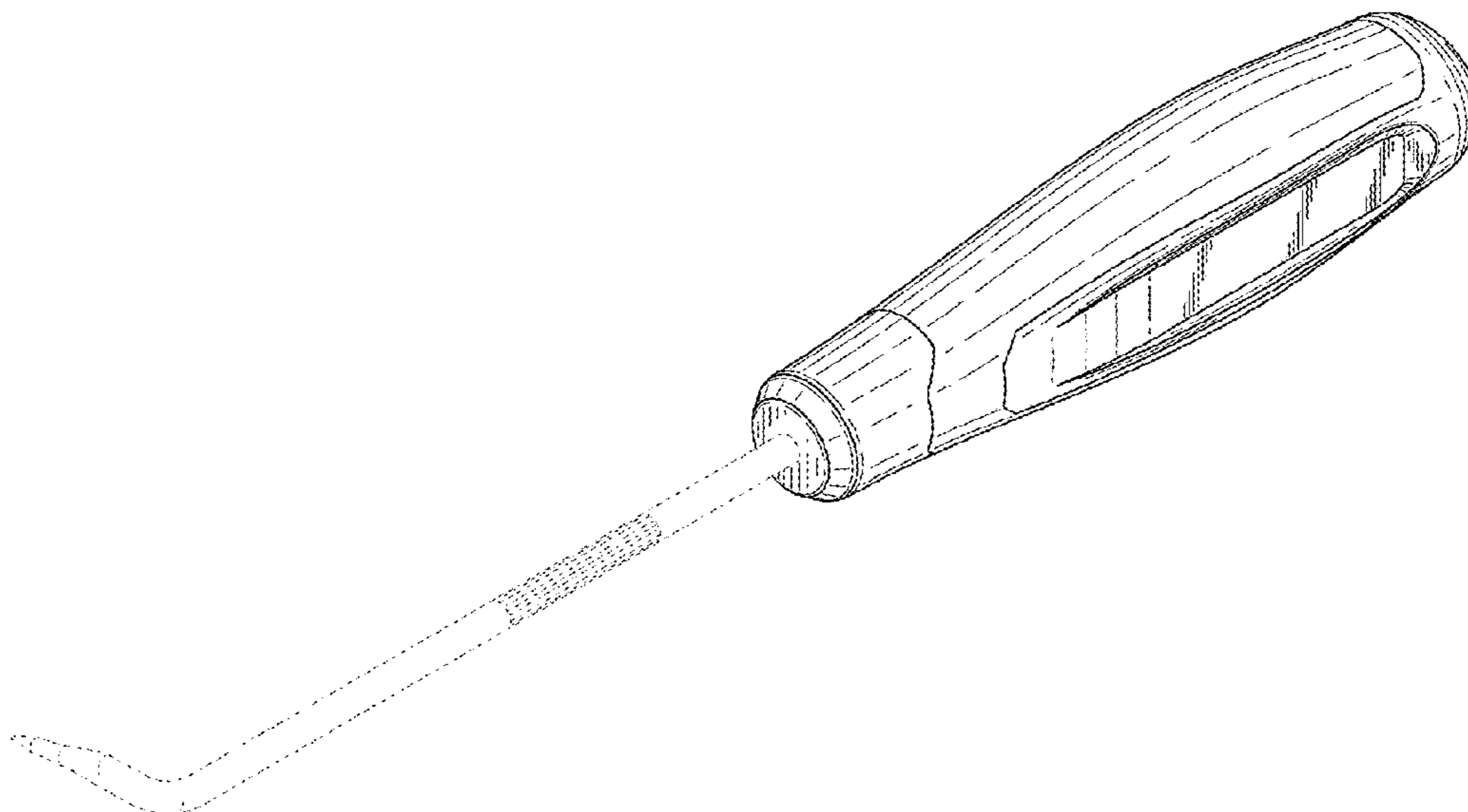
FIG. 1 is a perspective view of a handle for a pick embodying my new design.  
FIG. 2 is a first side view of the handle shown in FIG. 1.  
FIG. 3 is a second side view of the handle shown in FIG. 1.  
FIG. 4 is a third side view of the handle shown in FIG. 1.  
FIG. 5 is a fourth side view of the handle shown in FIG. 1.  
FIG. 6 is a first end view of the handle shown in FIG. 1; and, FIG. 7 is a second end view of the handle shown in FIG. 1.  
The elements shown in broken lines are included for the purpose of illustrating environment and form no part of the claimed design.

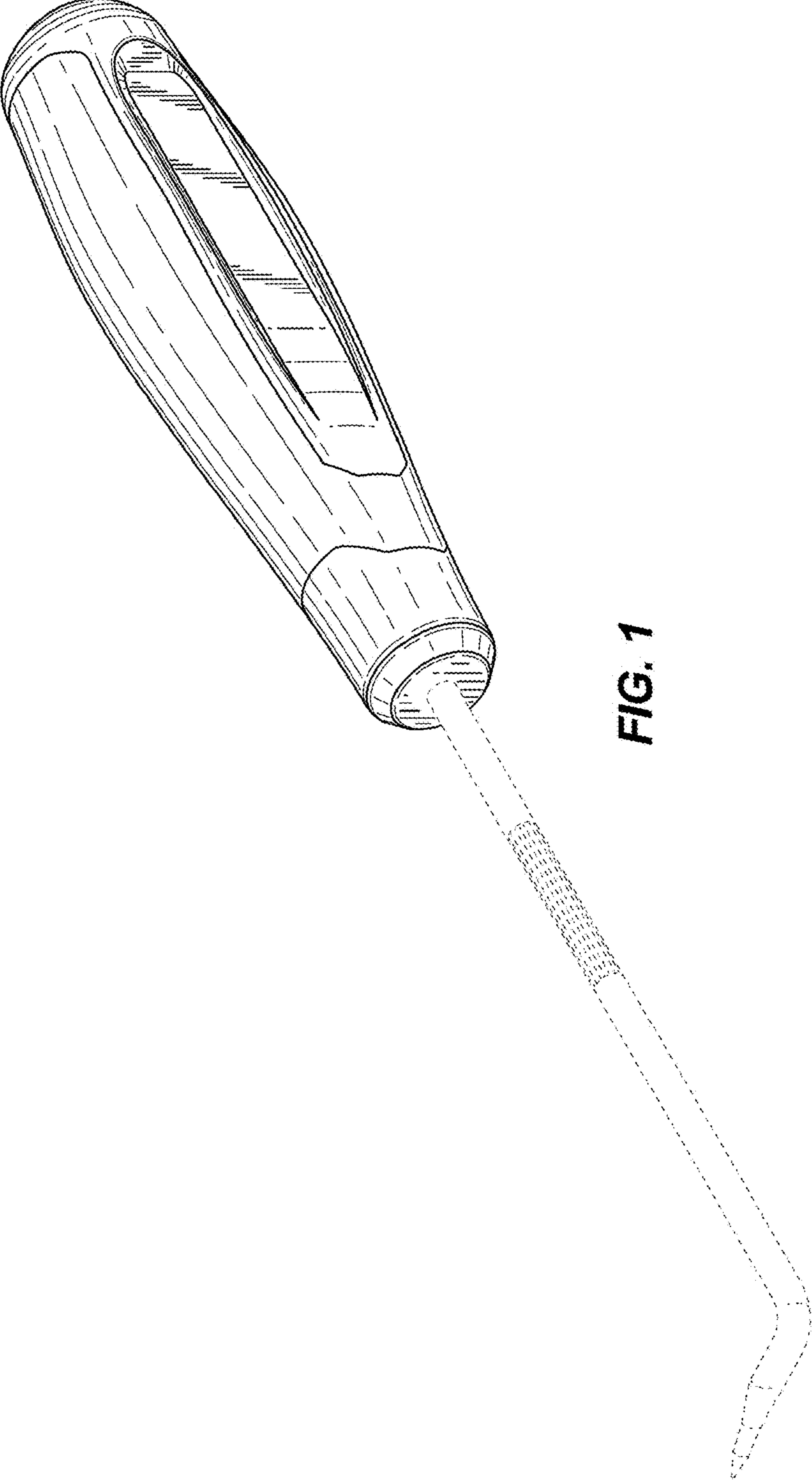
**1 Claim, 4 Drawing Sheets**

(56) **References Cited**

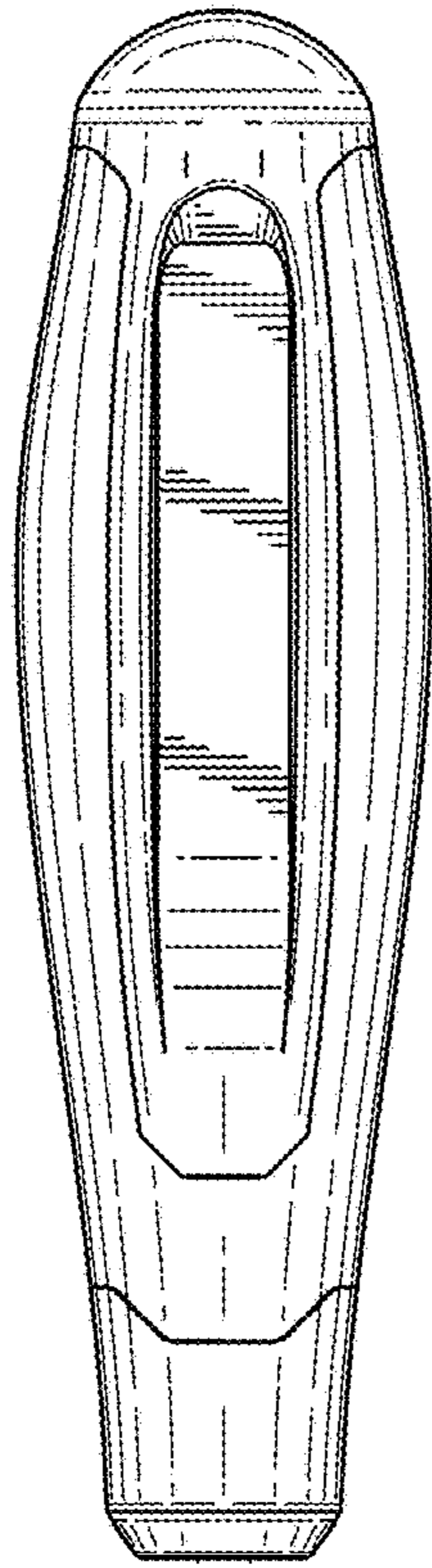
**U.S. PATENT DOCUMENTS**

1,541,078 A 6/1925 Sudweeks  
4,404,749 A 9/1983 Emerson  
D420,887 S \* 2/2000 Chen ..... D7/395  
D445,105 S \* 7/2001 Brinson ..... D14/187  
D494,039 S \* 8/2004 Tsai ..... D8/107  
D508,638 S \* 8/2005 Meyer ..... D8/10  
D528,897 S \* 9/2006 Wang ..... D8/107  
D532,277 S \* 11/2006 Shih ..... D8/107  
D566,514 S \* 4/2008 Settles ..... D8/107  
7,395,602 B2 7/2008 Backus et al.

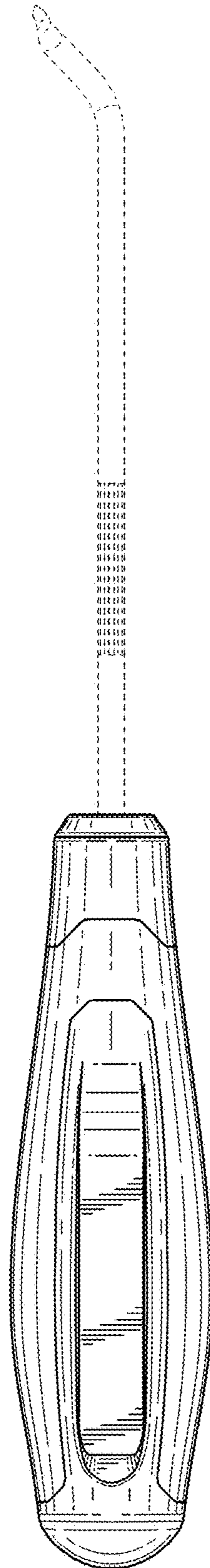




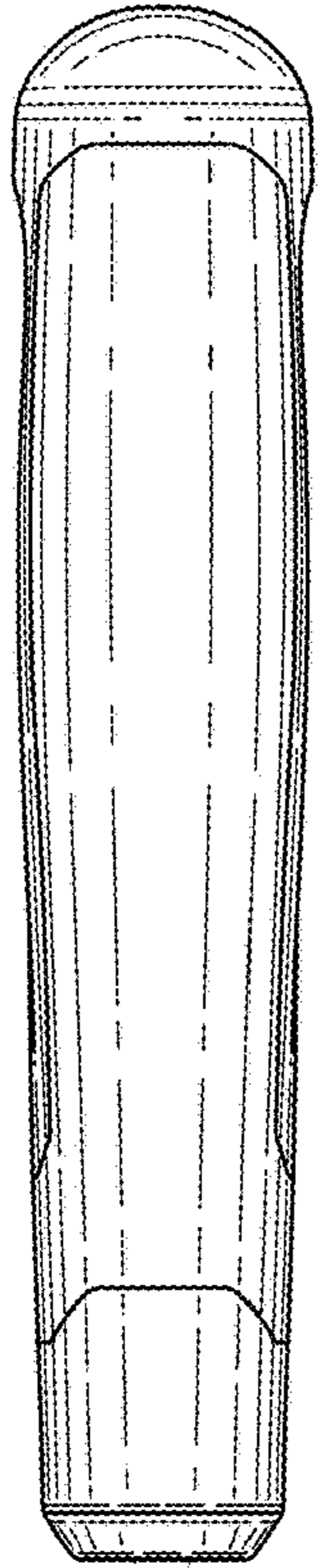
**FIG. 1**



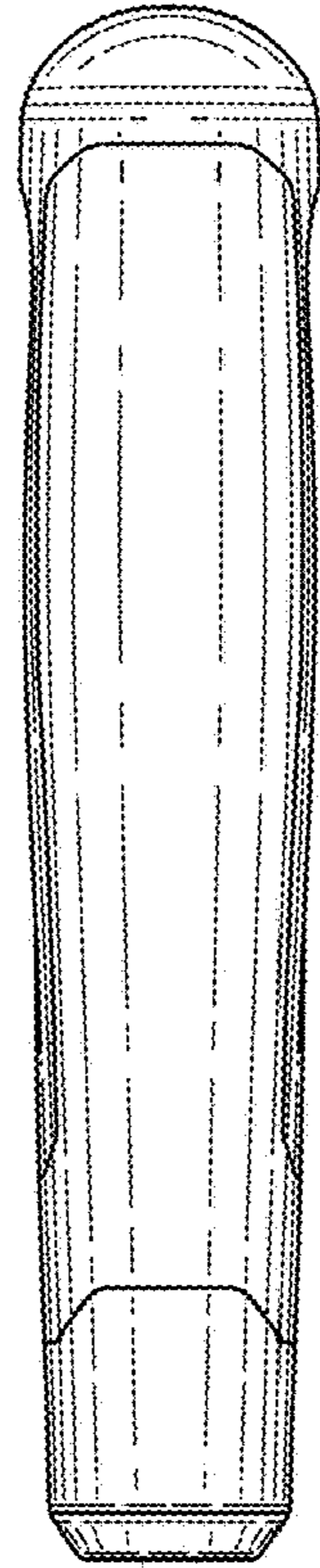
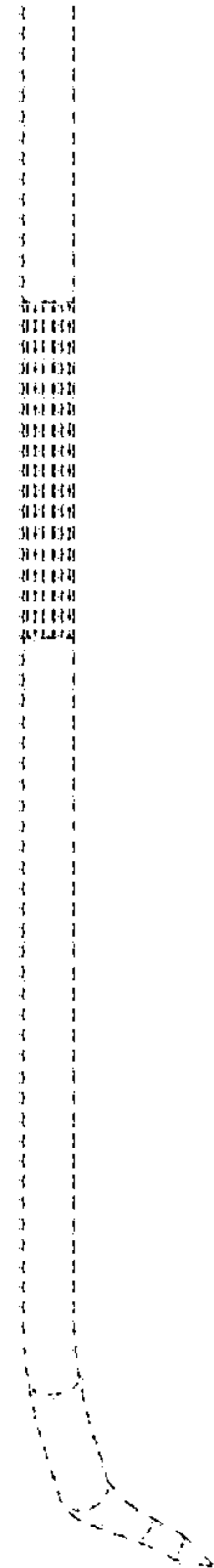
**FIG. 2**



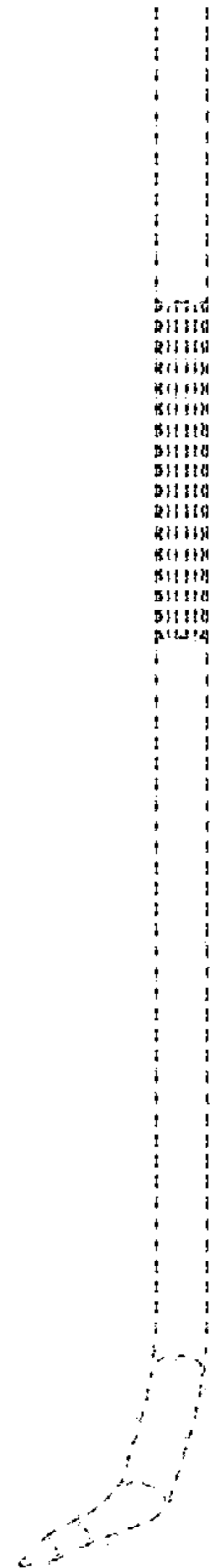
**FIG. 3**

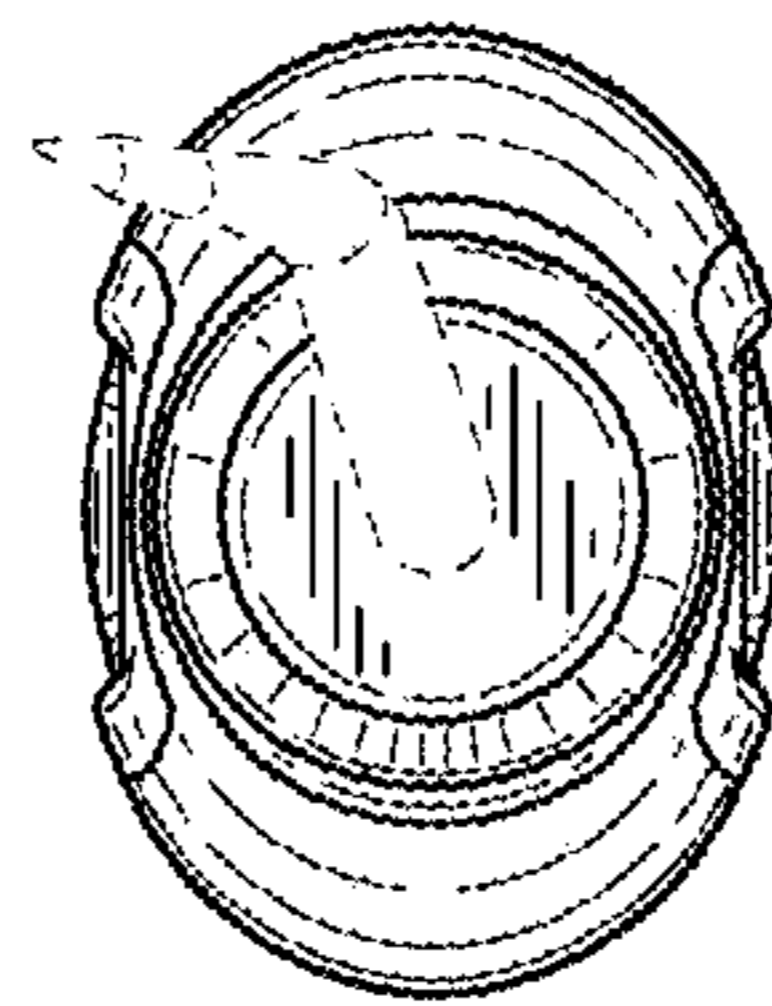


**FIG. 4**

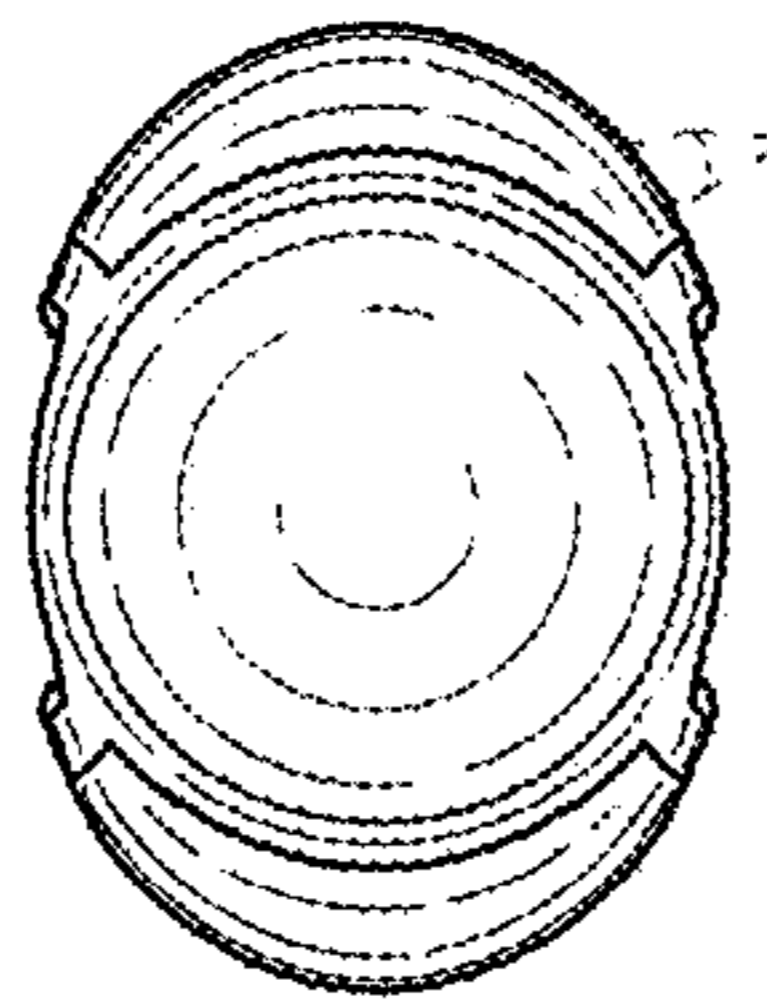


**FIG. 5**





**FIG. 6**



**FIG. 7**