



US00D819416S

(12) **United States Design Patent**
Goodrich, II

(10) **Patent No.:** **US D819,416 S**
(45) **Date of Patent:** **** Jun. 5, 2018**

(54) **BOTTLE OPENER**

(57) **CLAIM**

(71) Applicant: **Alferd Benjamin Goodrich, II**,
Raleigh, NC (US)

The ornamental design for a bottle opener, as shown and described.

(72) Inventor: **Alferd Benjamin Goodrich, II**,
Raleigh, NC (US)

(**) Term: **15 Years**

(21) Appl. No.: **29/583,242**

(22) Filed: **Nov. 3, 2016**

(51) **LOC (11) Cl.** **07-06**

(52) **U.S. Cl.**
USPC **D8/38**

(58) **Field of Classification Search**
USPC D8/18, 33, 38, 40, 356; D1/106, 111;
D3/207, 208, 210; D9/600; D21/319,
D21/358, 478, 598, 599, 708, 733, 759;
30/400, 409-411; 53/363; 81/3.55, 3.57;
7/169
CPC B67B 7/00; B67B 7/04; B67B 7/06; B67B
7/14; B67B 7/16; B67B 7/20; B67B 7/24;
B67B 7/30; B67B 7/38; B67B 7/44;
B67B 7/182; B67B 7/403; B67B
2201/012; B67B 2201/17; B67B 1/00
See application file for complete search history.

DESCRIPTION

FIG. 1 is a top angled perspective view of a bottle opener, showing my new design;
FIG. 2 is a reverse view thereof;
FIG. 3 is a front elevation perspective view thereof;
FIG. 4 is a reverse elevation perspective view thereof;
FIG. 5 is a side elevation view thereof;
FIG. 6 is a reverse side elevation view thereof;
FIG. 7 is a top perspective view thereof;
FIG. 8 is a reverse top perspective view thereof;
FIG. 9 is a top angled perspective view of a bottle opener showing my new design according to an alternative embodiment;
FIG. 10 is a reverse view thereof;
FIG. 11 is a front elevation perspective view thereof;
FIG. 12 is a reverse elevation view thereof;
FIG. 13 is a side elevation view thereof;
FIG. 14 is a reverse side elevation view thereof;
FIG. 15 is a top perspective view thereof;
FIG. 16 is a reverse top perspective view thereof;
FIG. 17 is a top angled perspective view of a bottle opener showing my new design according to another alternative embodiment;
FIG. 18 is a reverse view thereof;
FIG. 19 is a front elevation perspective view thereof;
FIG. 20 is a reverse elevation perspective view thereof;
FIG. 21 is a side elevation view thereof;
FIG. 22 is a reverse side elevation view thereof;
FIG. 23 is a top perspective view thereof; and,
FIG. 24 is a reverse top perspective view thereof.

The broken line showing in the drawings is included for the purpose of illustrating unclaimed portions of the bottle opener and forms no part of the claimed design. The dot-dash-dot line represents the boundary of the claimed design.

(56) **References Cited**

U.S. PATENT DOCUMENTS

D399,548 S * 10/1998 Stone D21/733
D486,045 S * 2/2004 Falt D8/38
D707,765 S * 6/2014 Engel D21/733

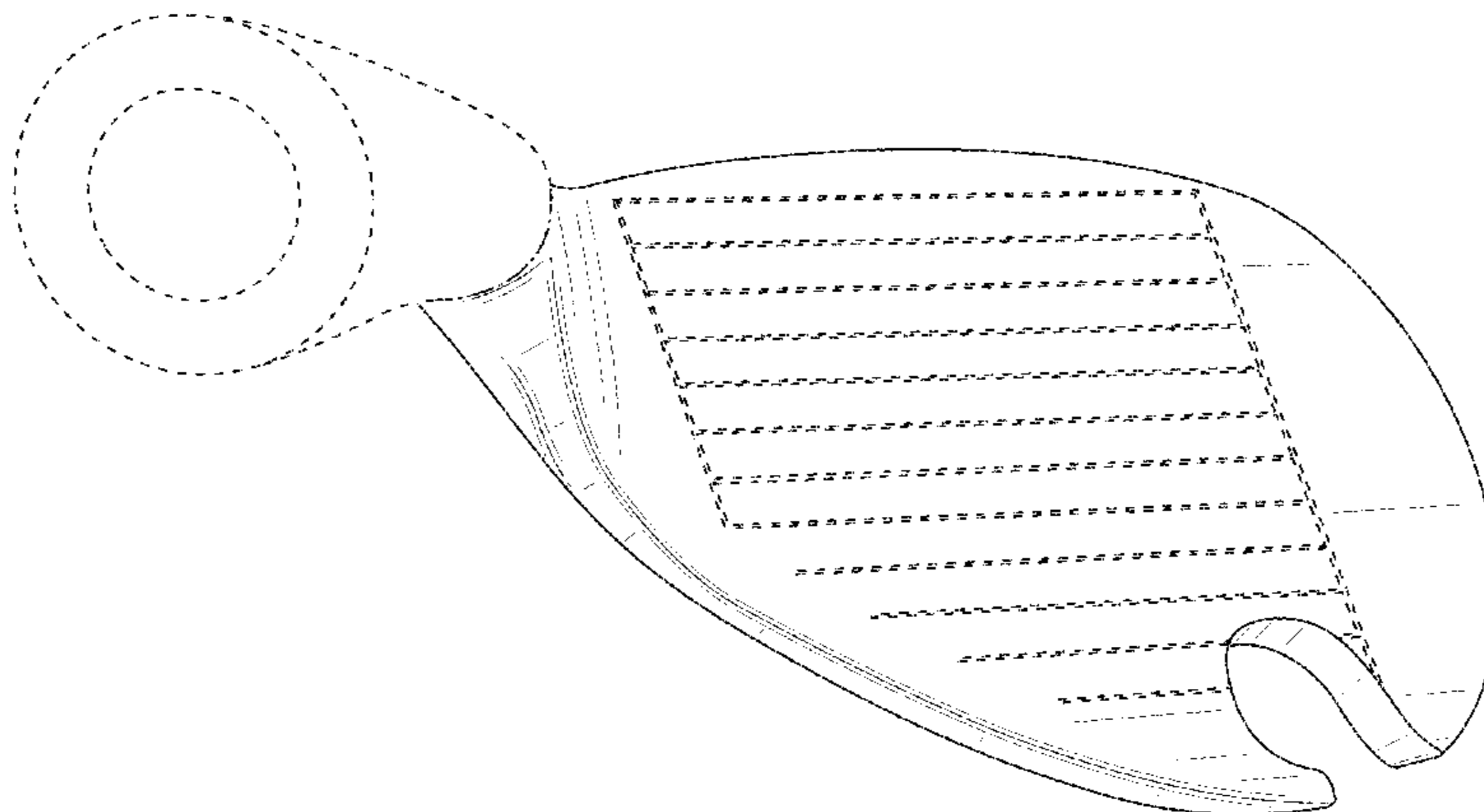
* cited by examiner

Primary Examiner — Wan Laymon

Assistant Examiner — Clint A Samuel

(74) *Attorney, Agent, or Firm* — Andrew R. Shores;
Williams Mullen

1 Claim, 24 Drawing Sheets



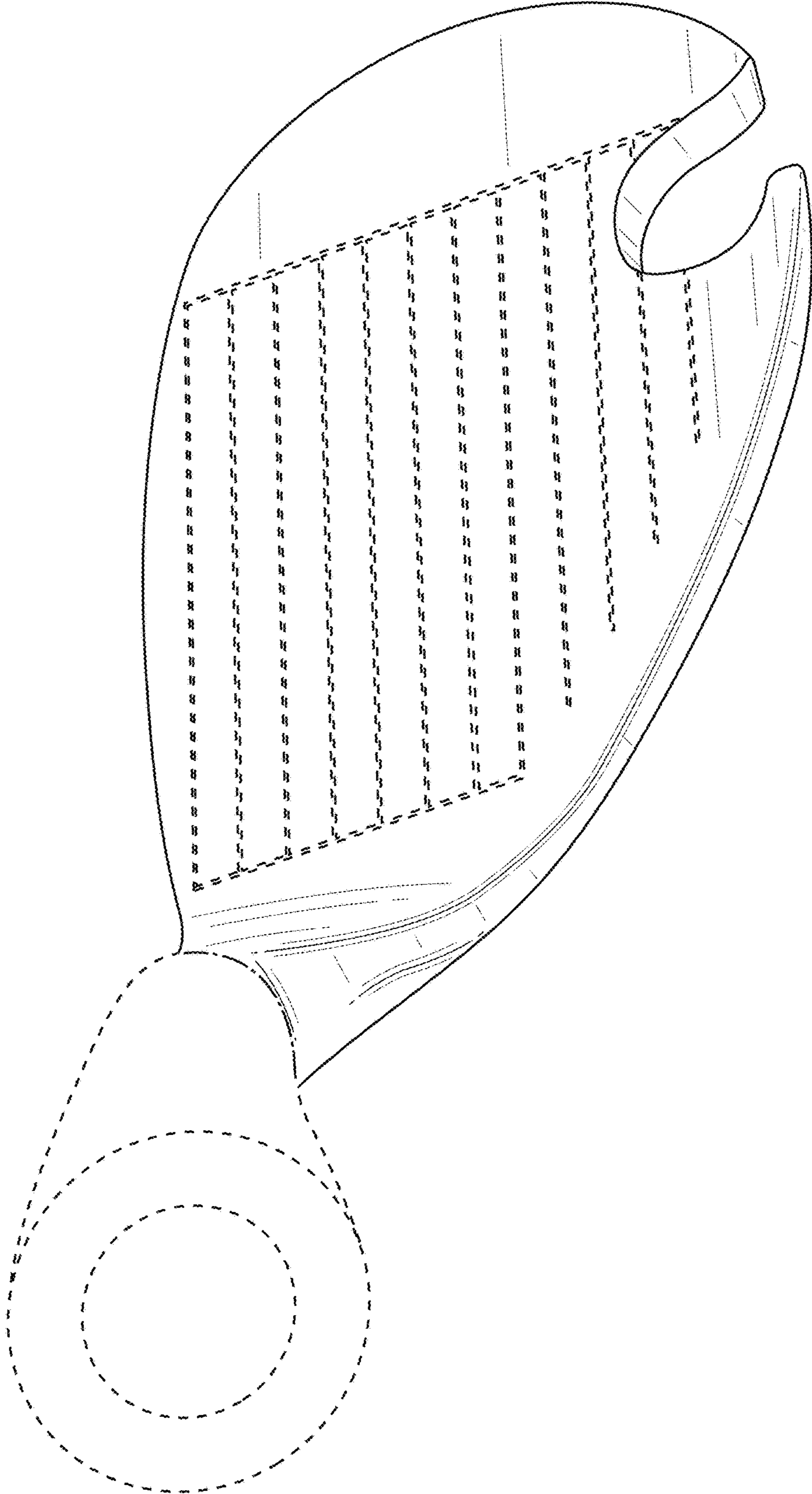


FIG. 1

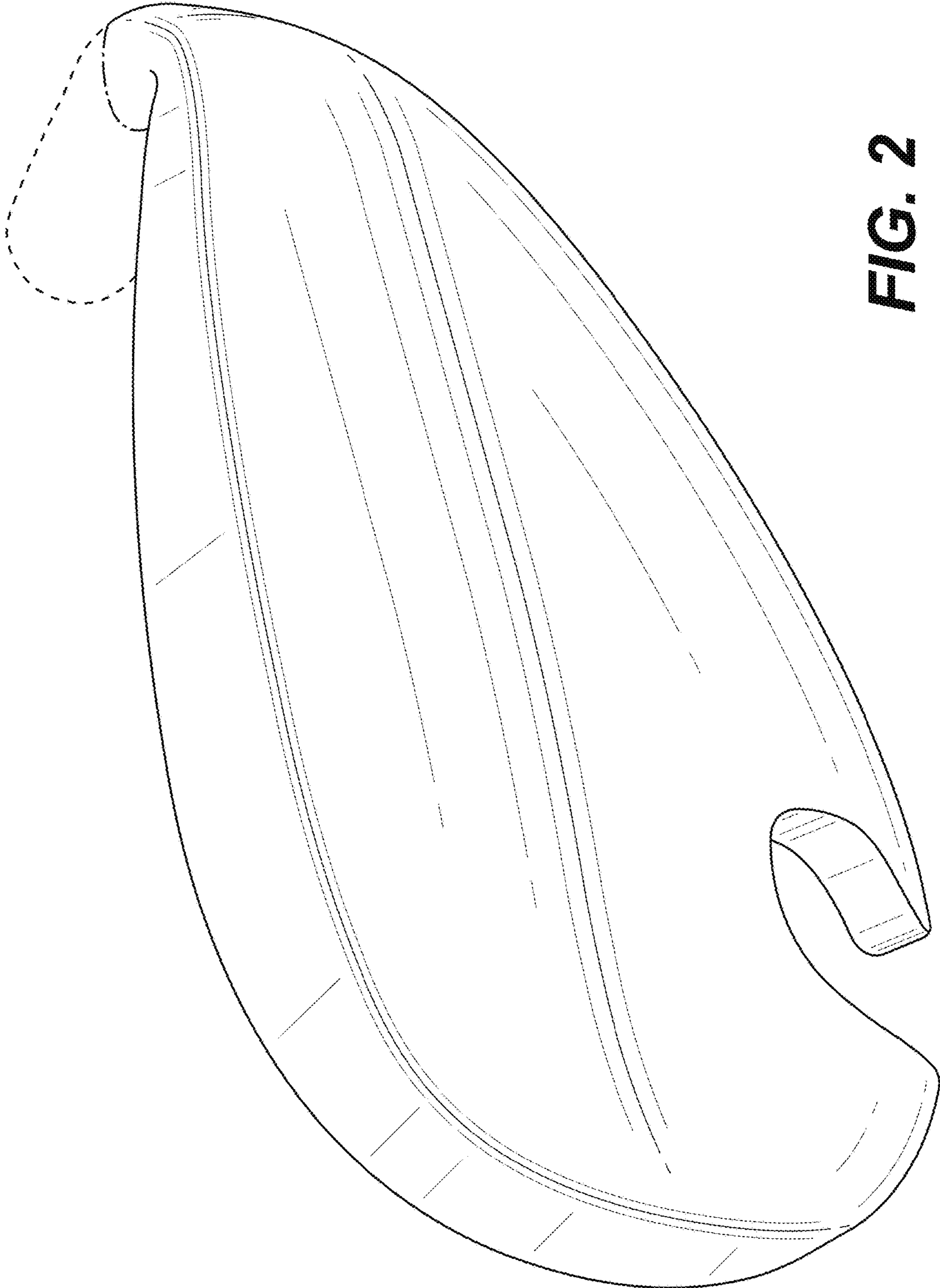


FIG. 2

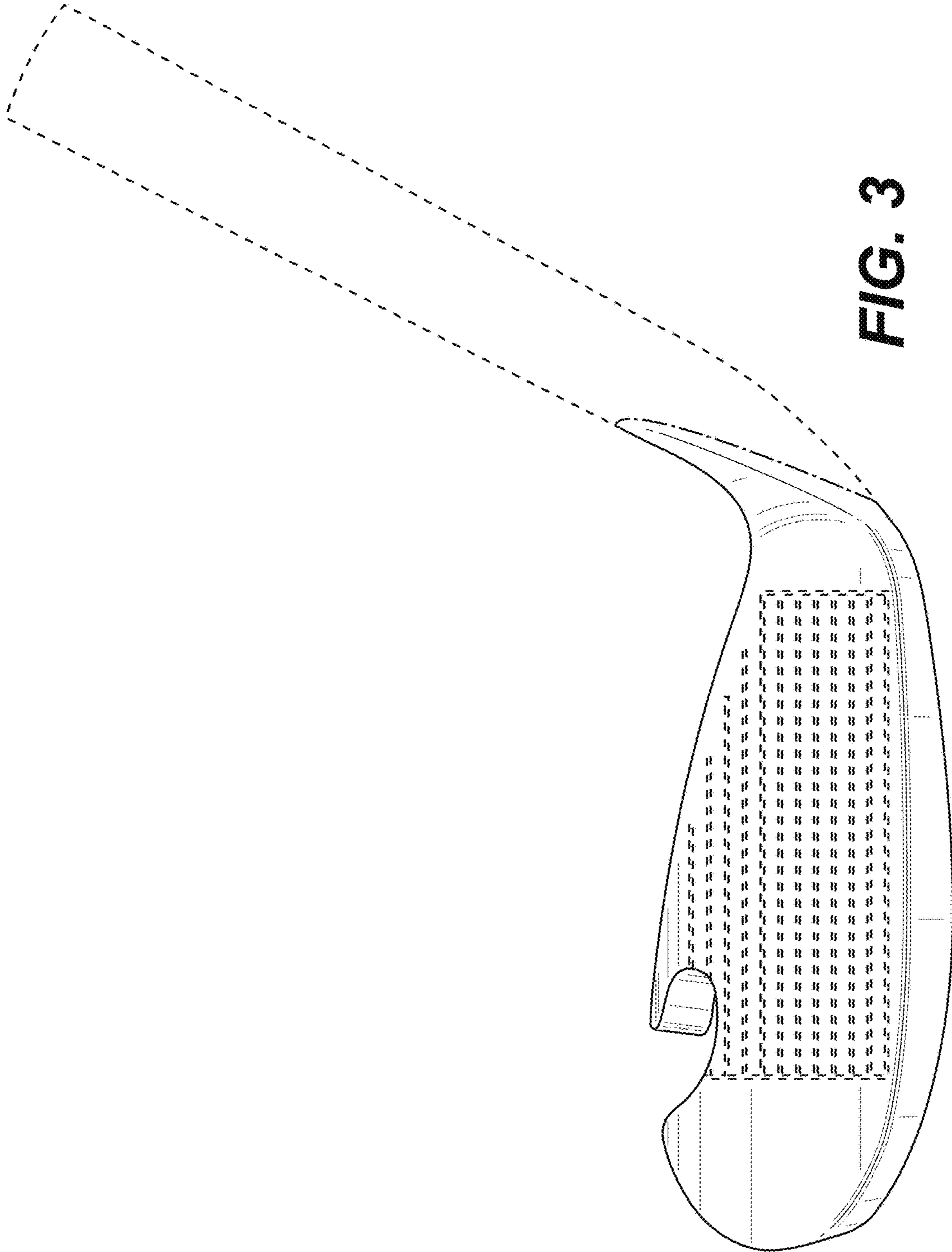


FIG. 3

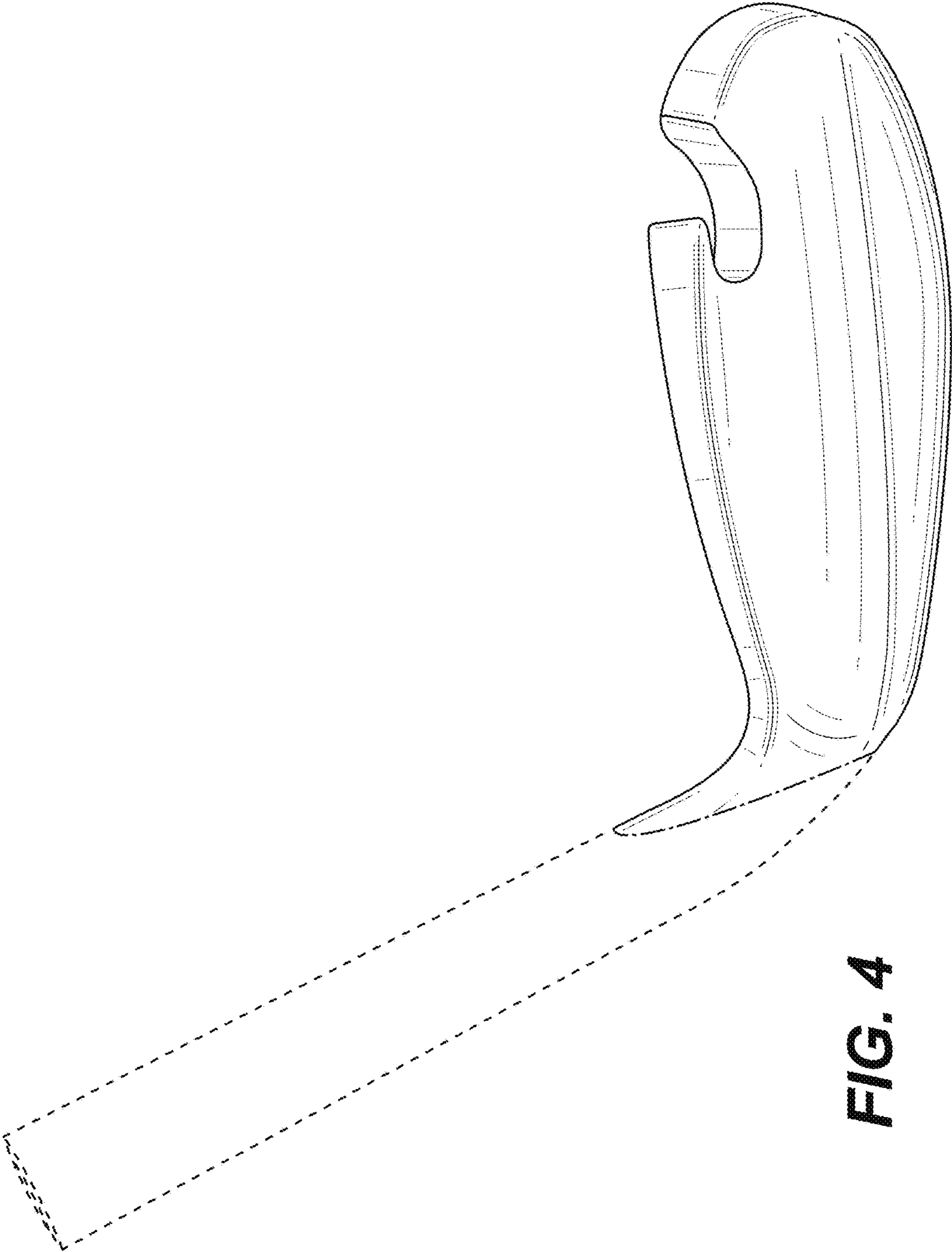


FIG. 4

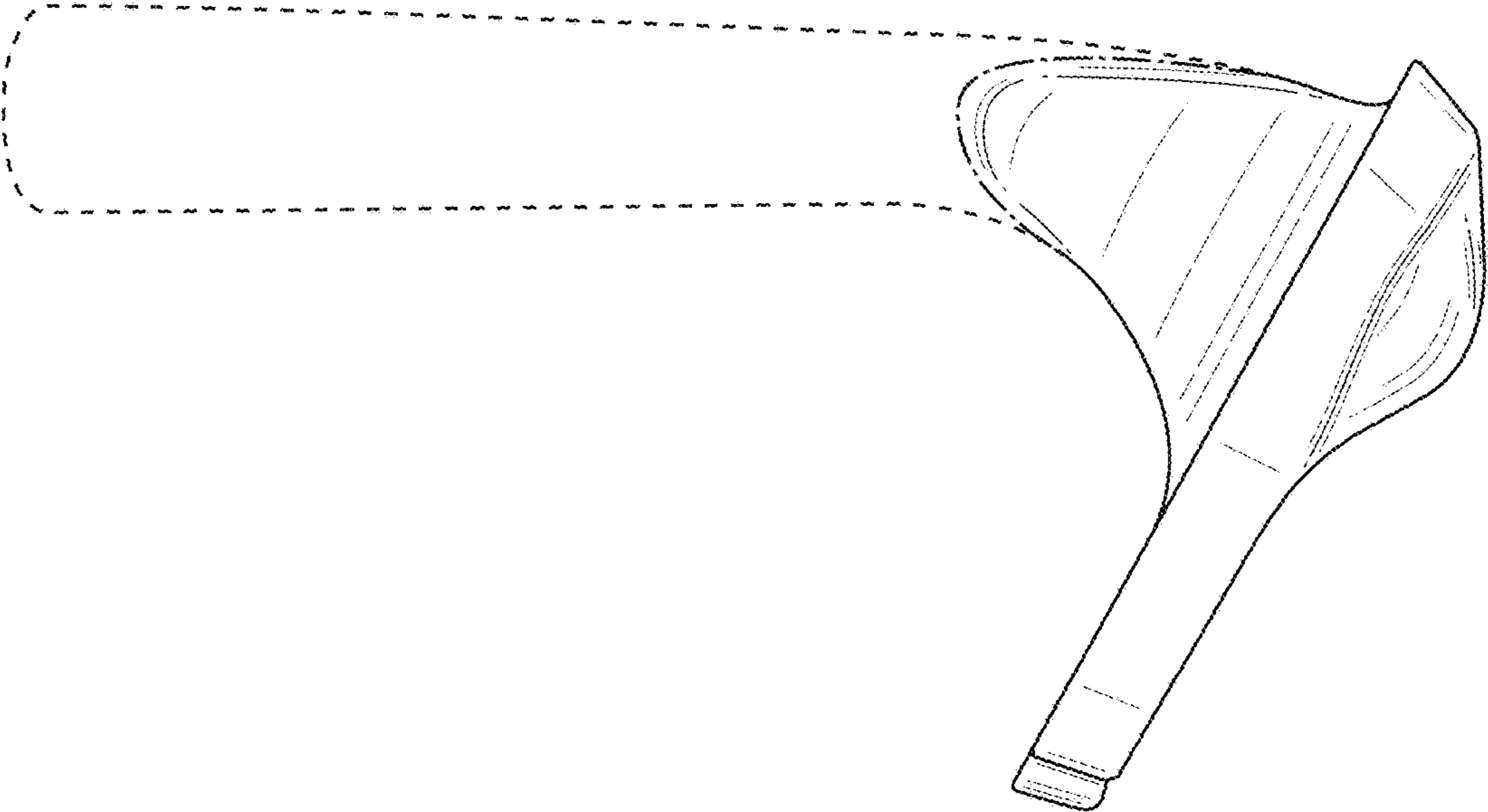


FIG. 5

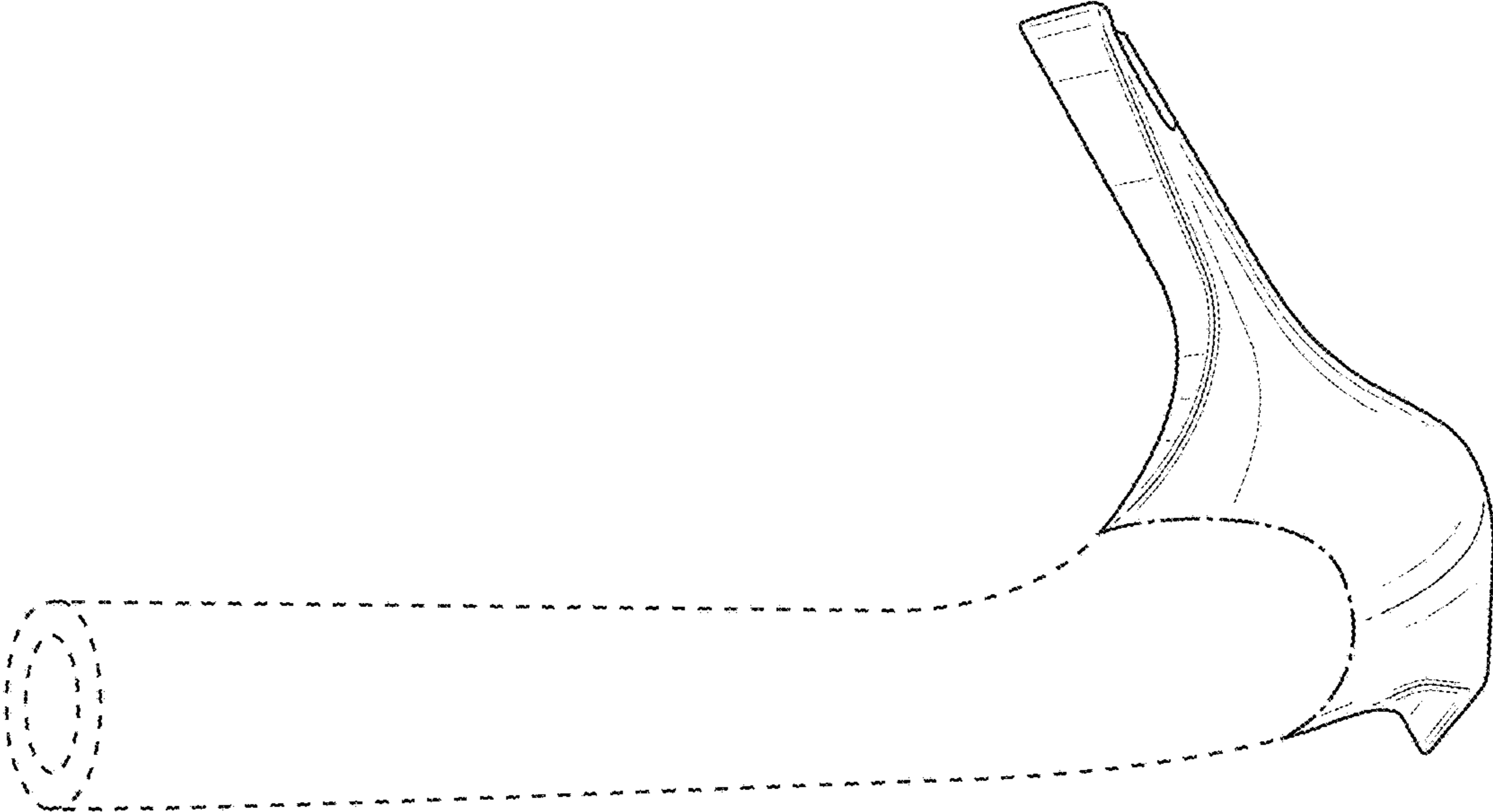


FIG. 6

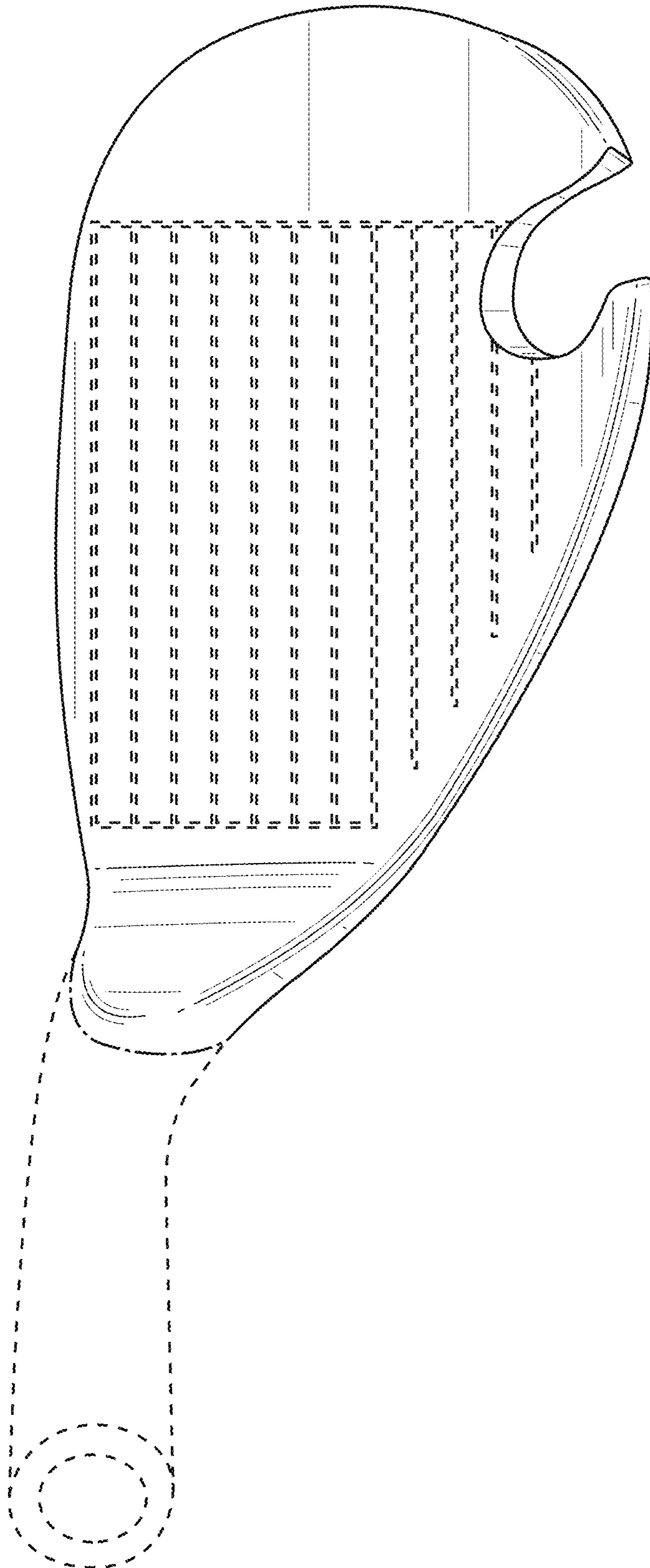


FIG. 7



FIG. 8

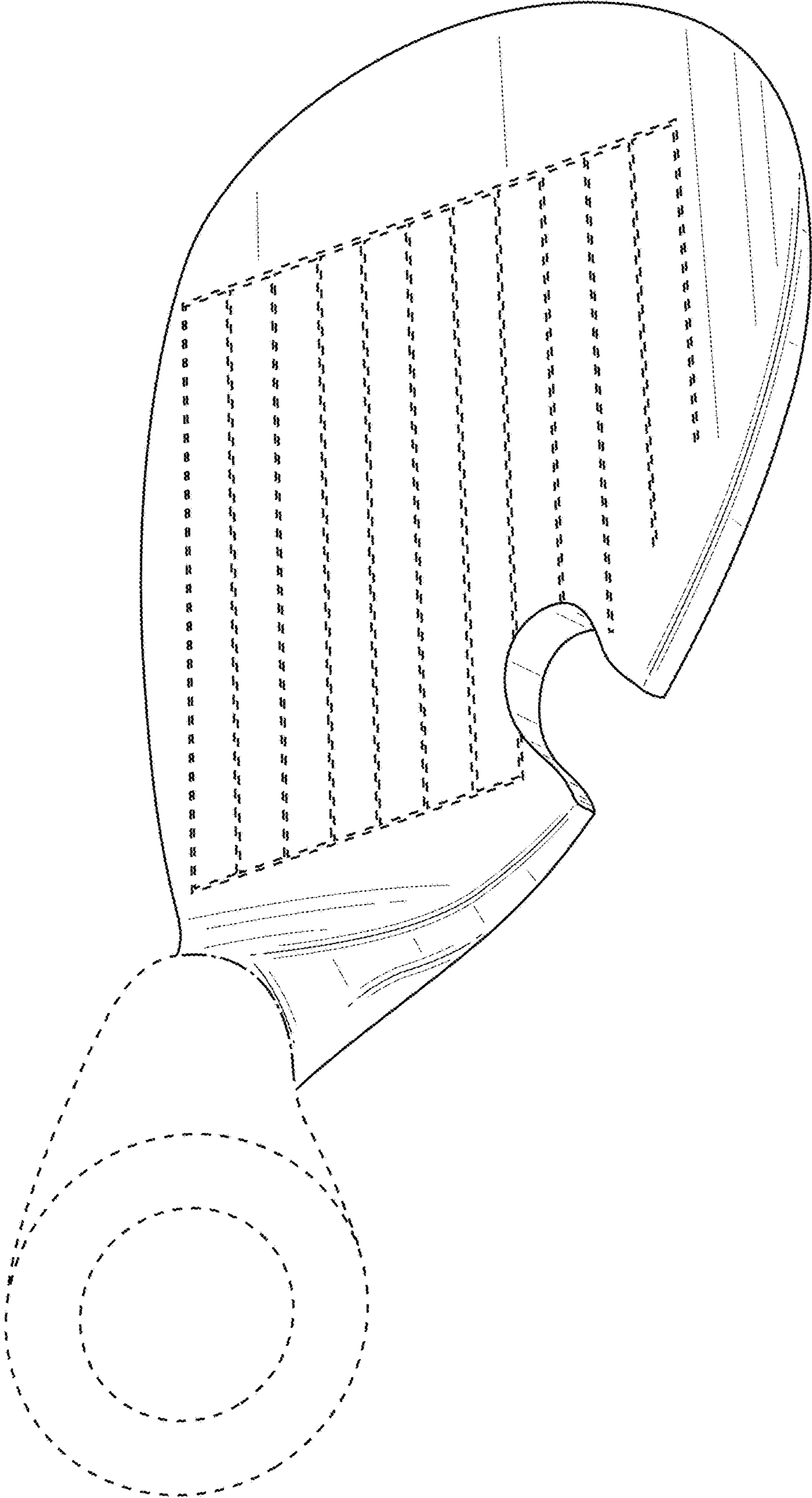


FIG. 9

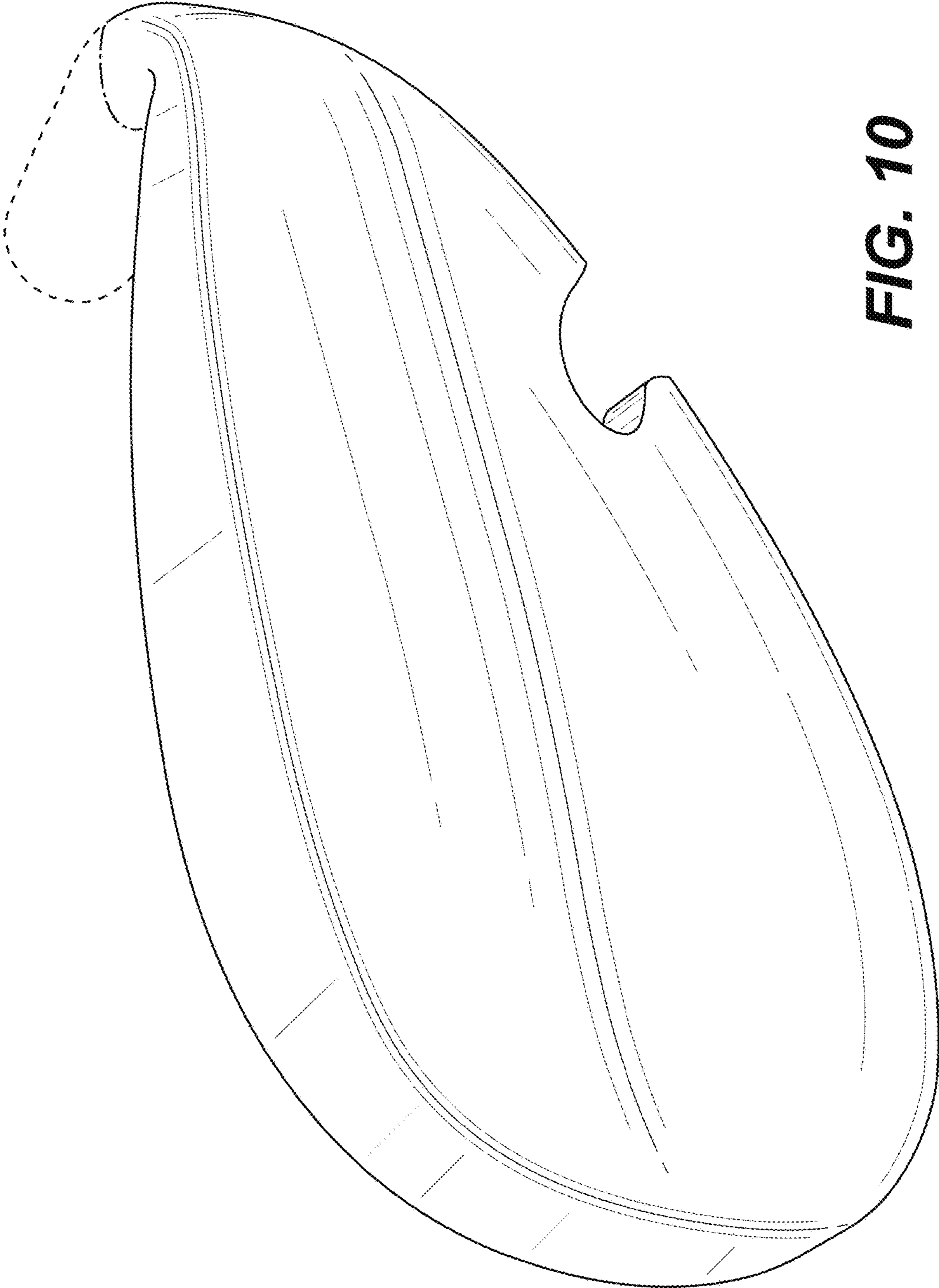


FIG. 10

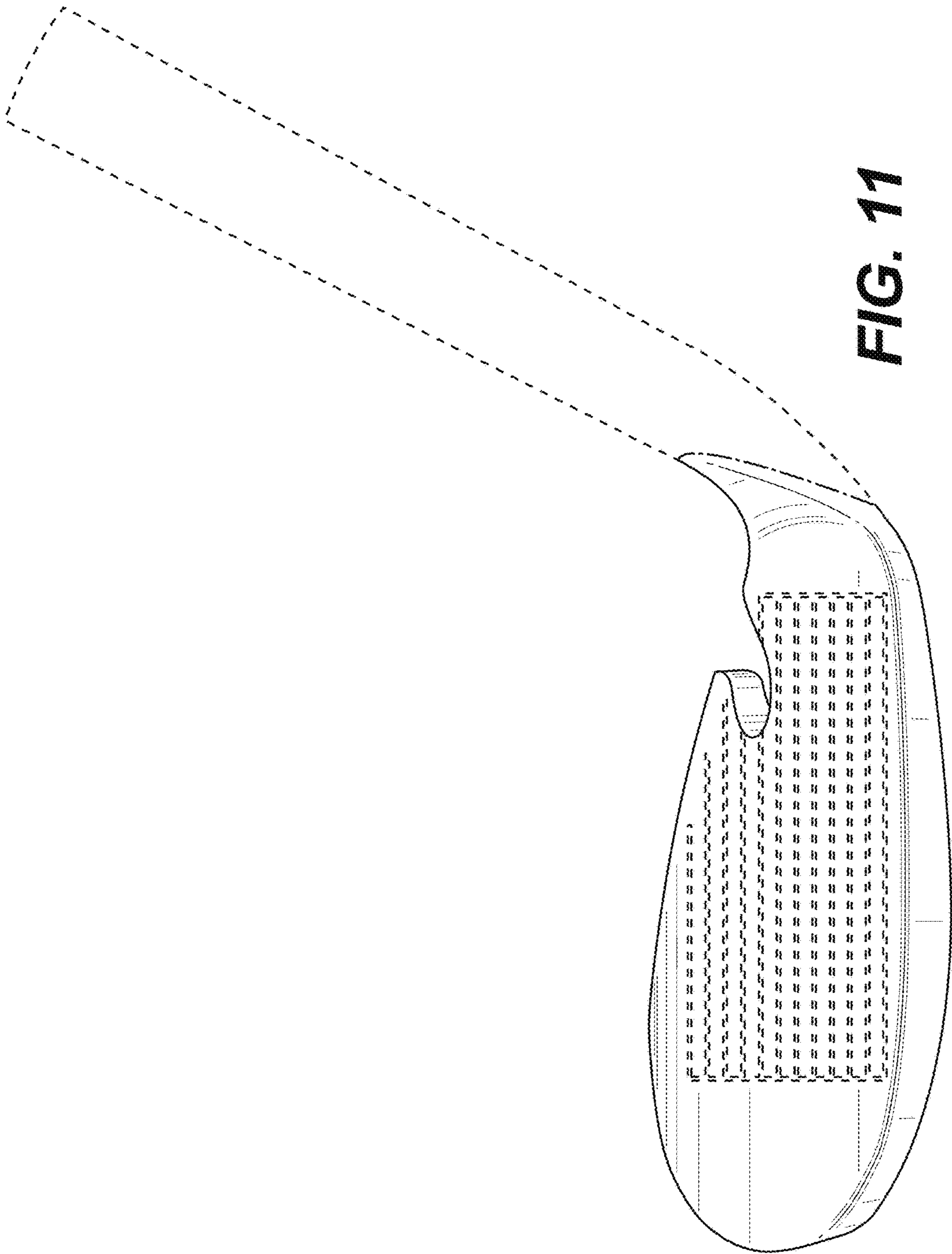


FIG. 11

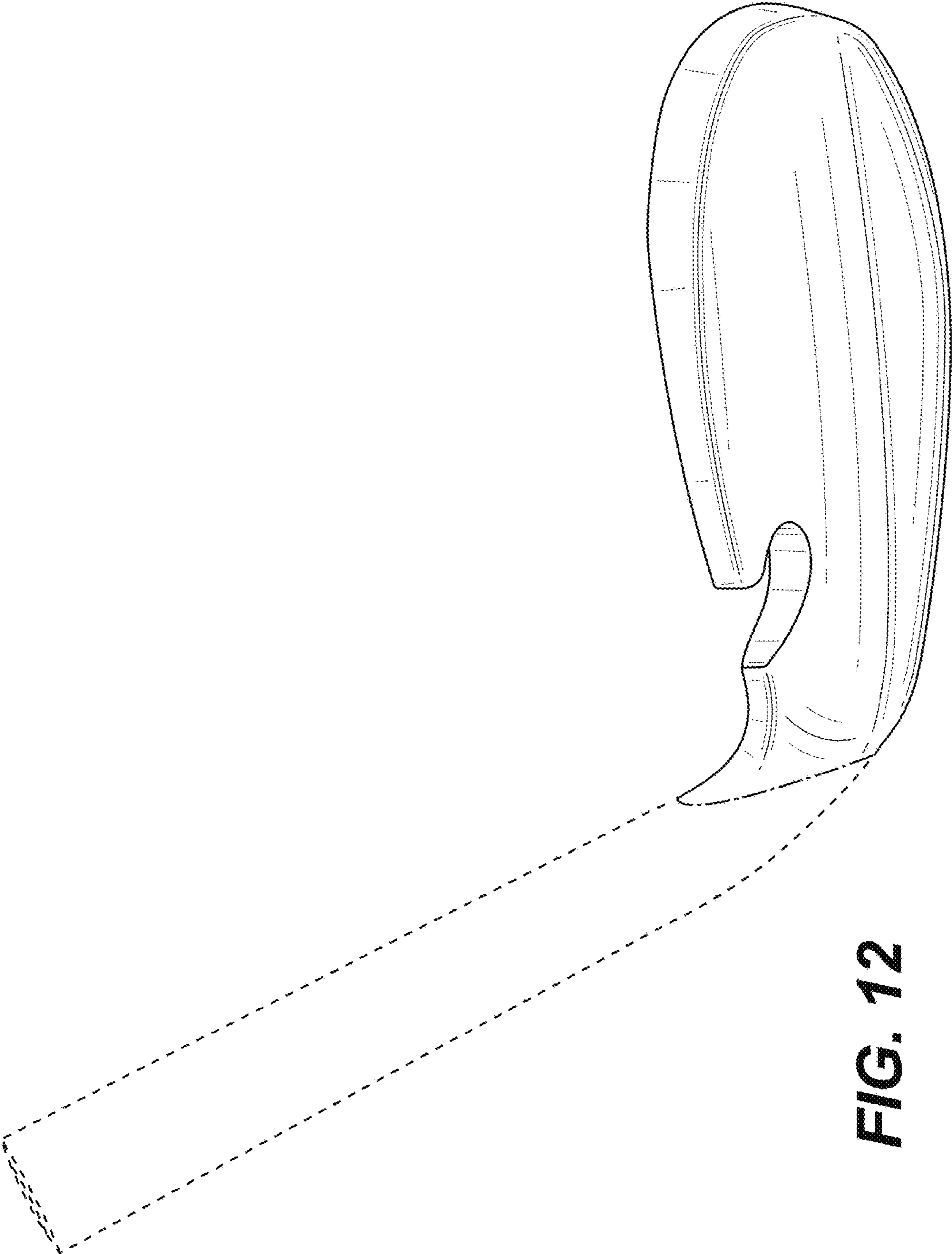


FIG. 12

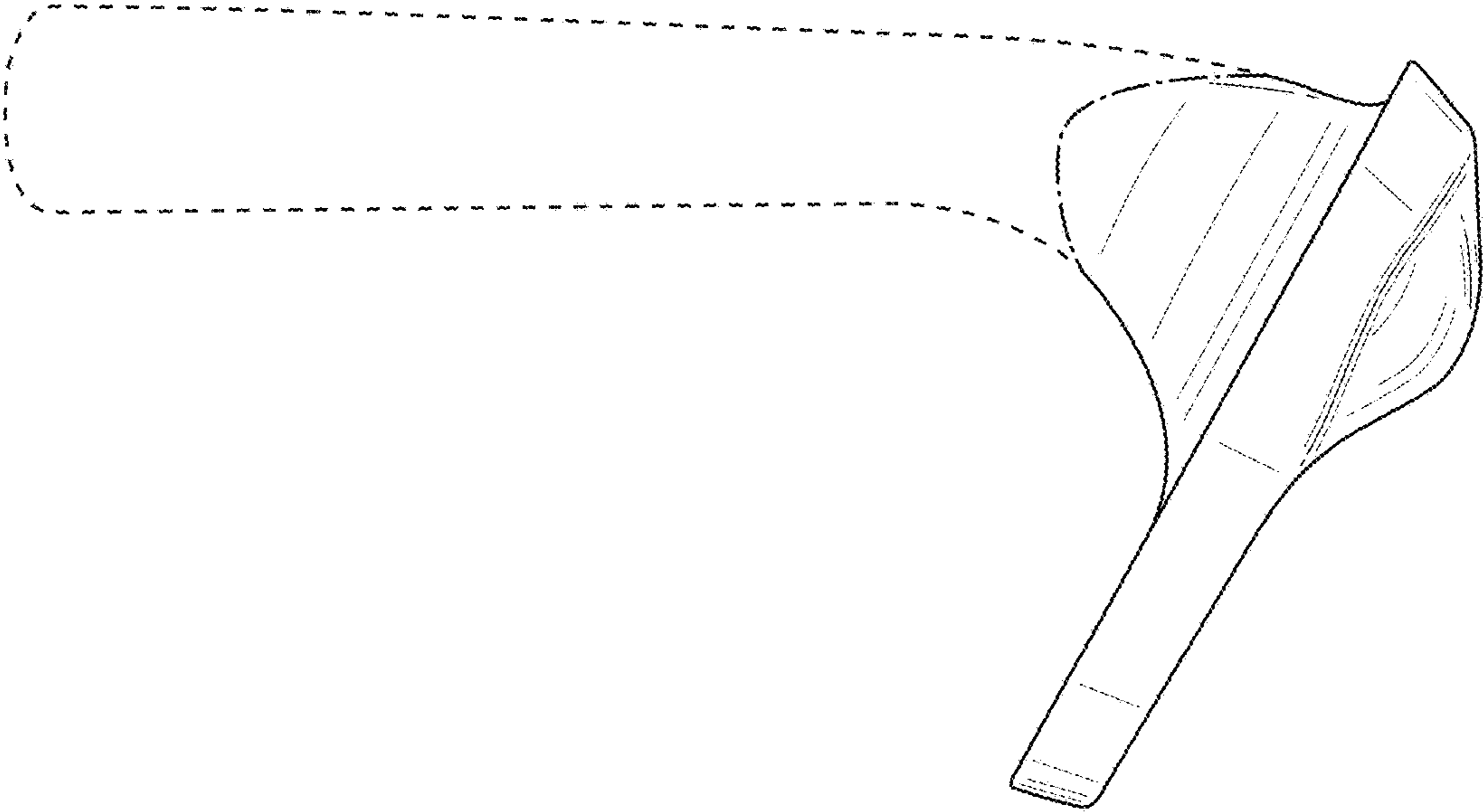


FIG. 13

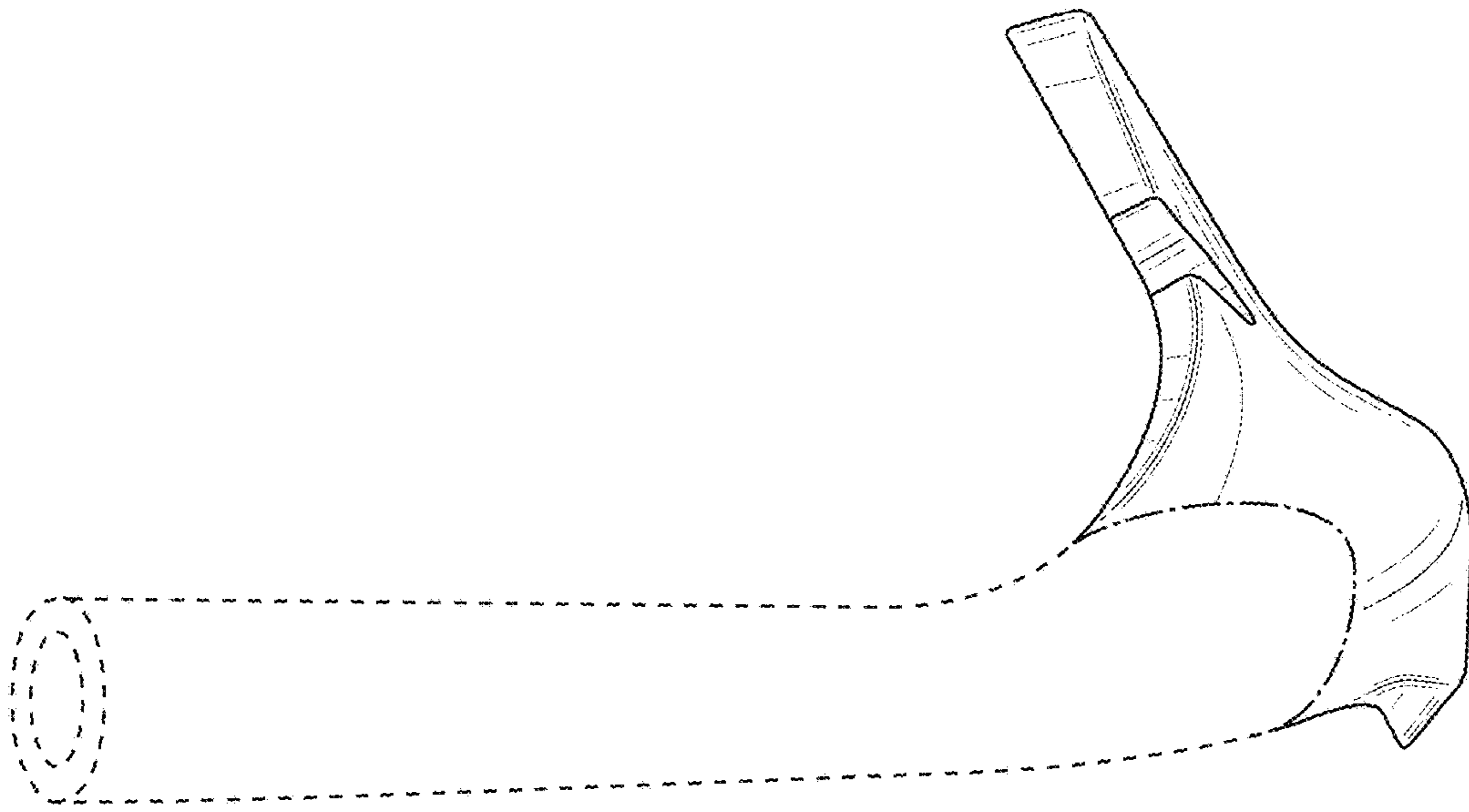


FIG. 14

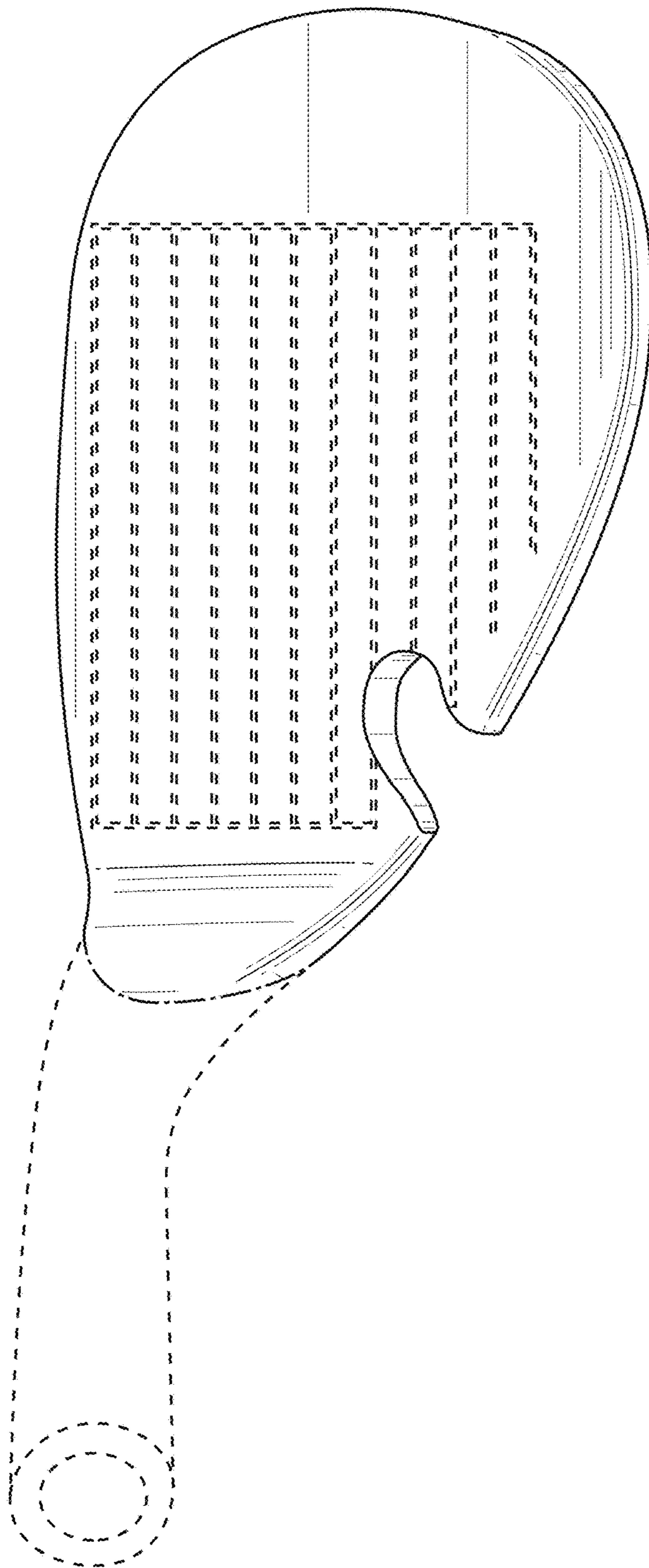


FIG. 15

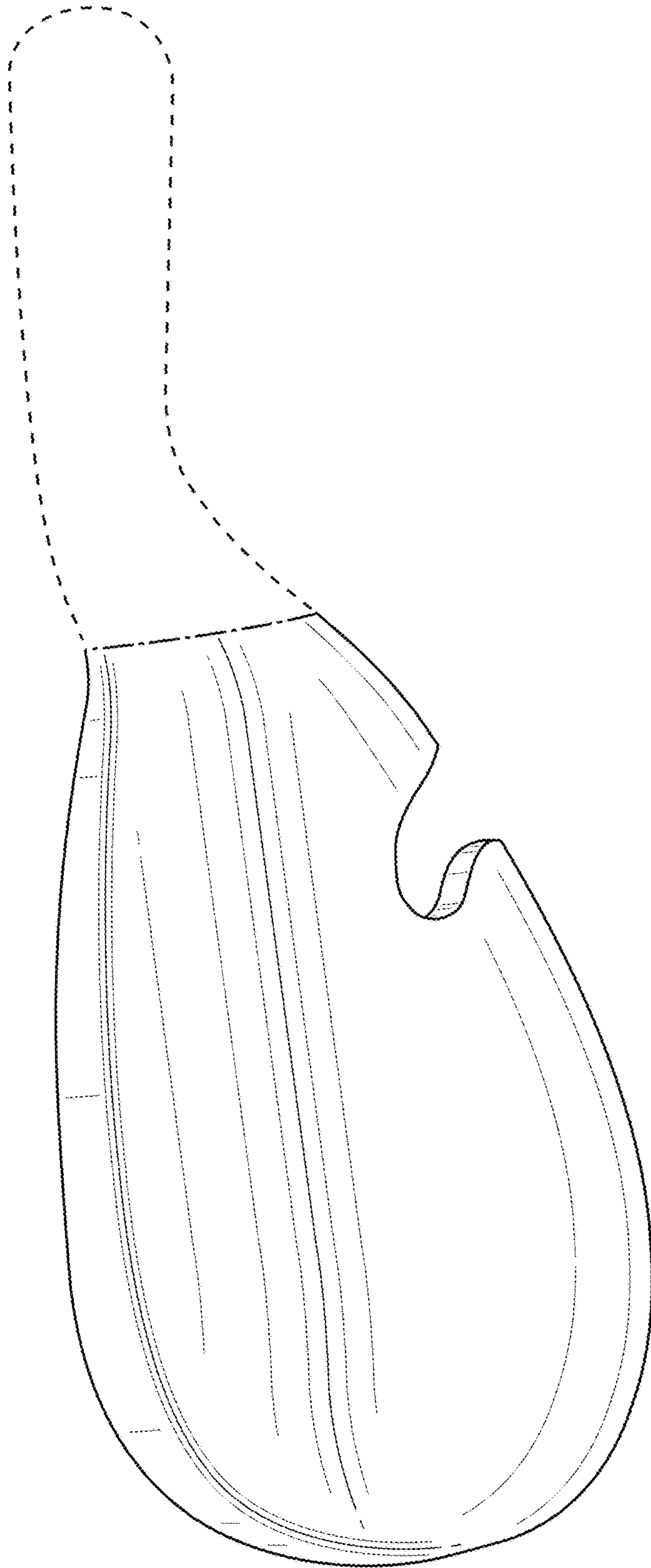


FIG. 16

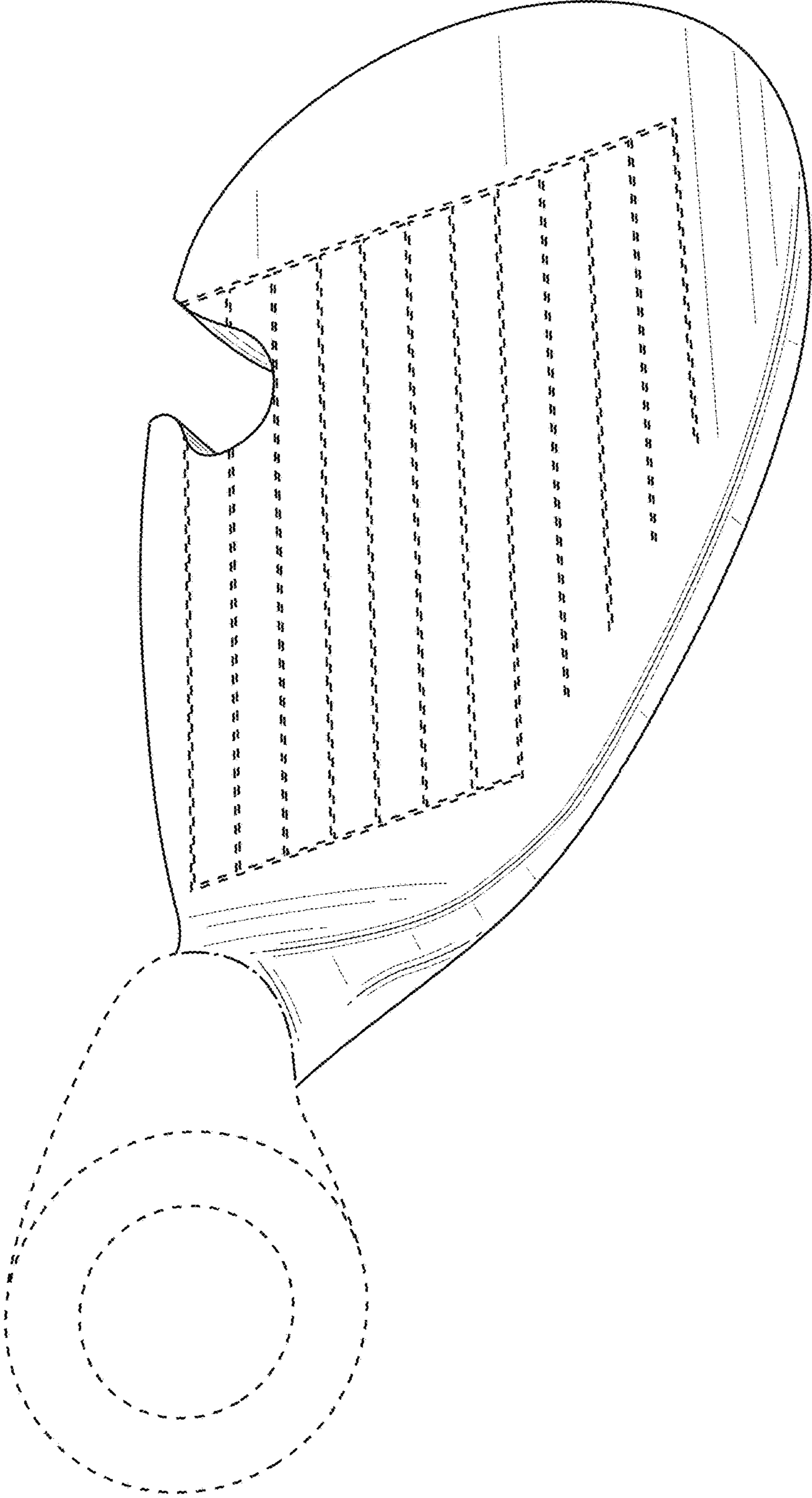


FIG. 17

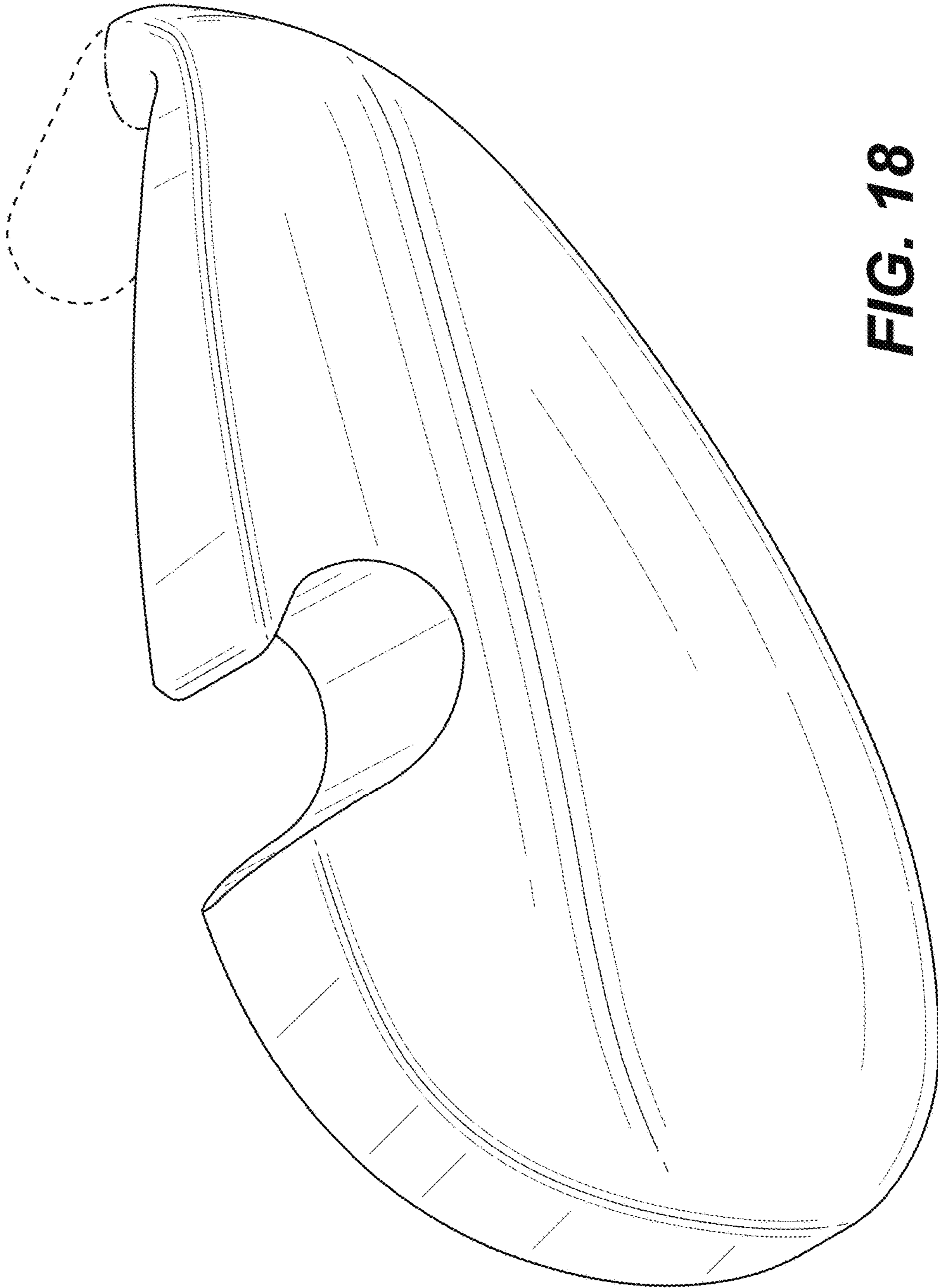


FIG. 18

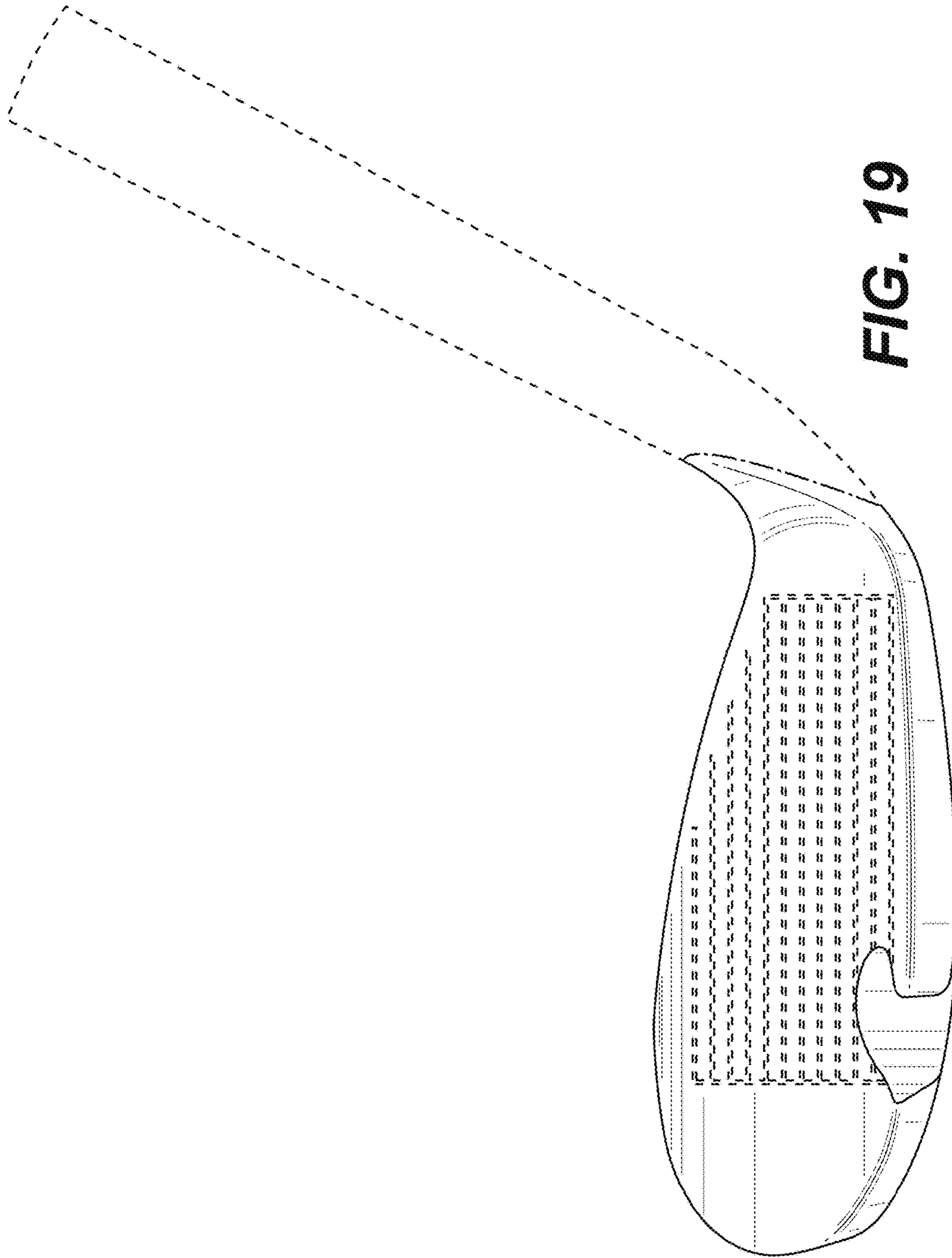


FIG. 19

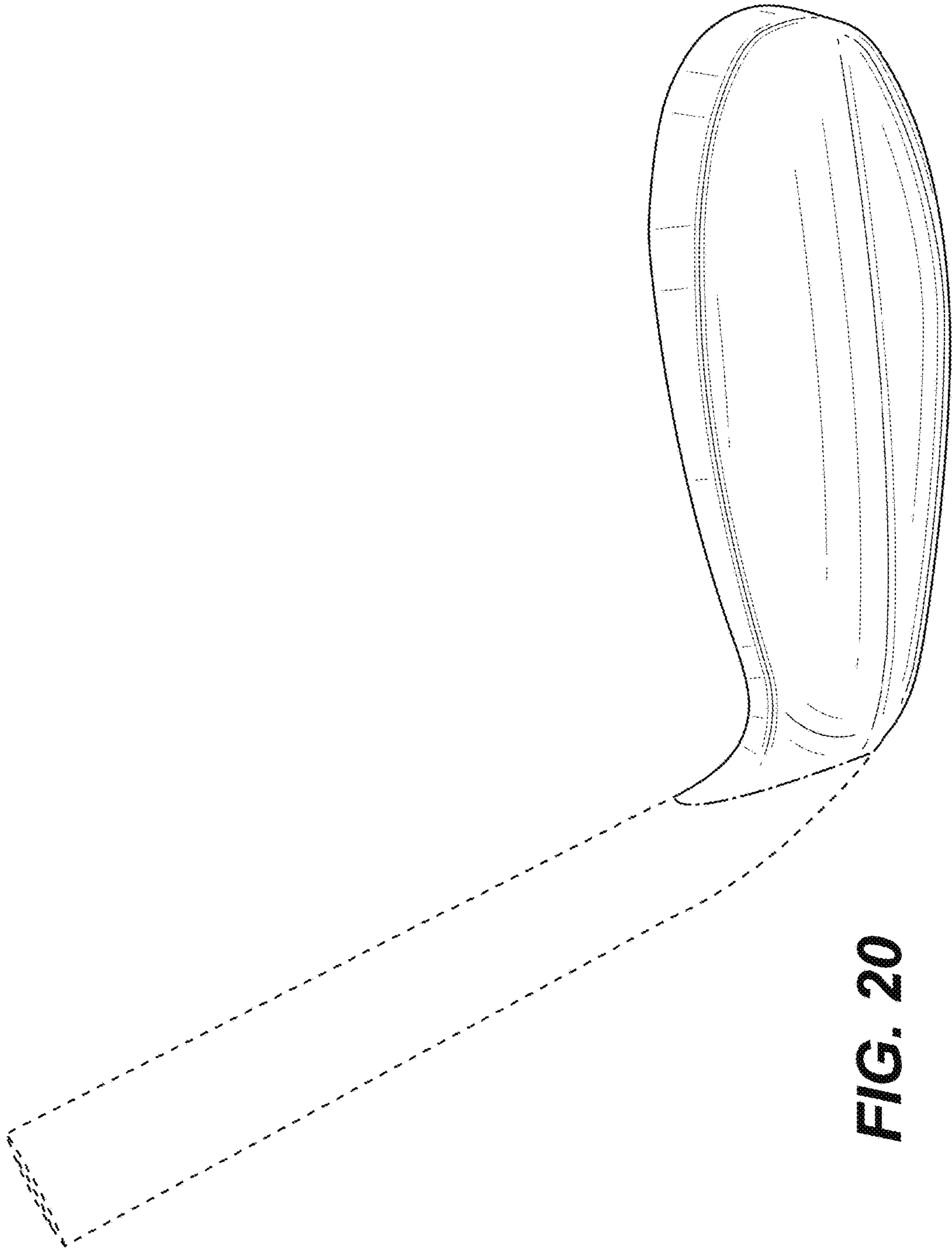


FIG. 20

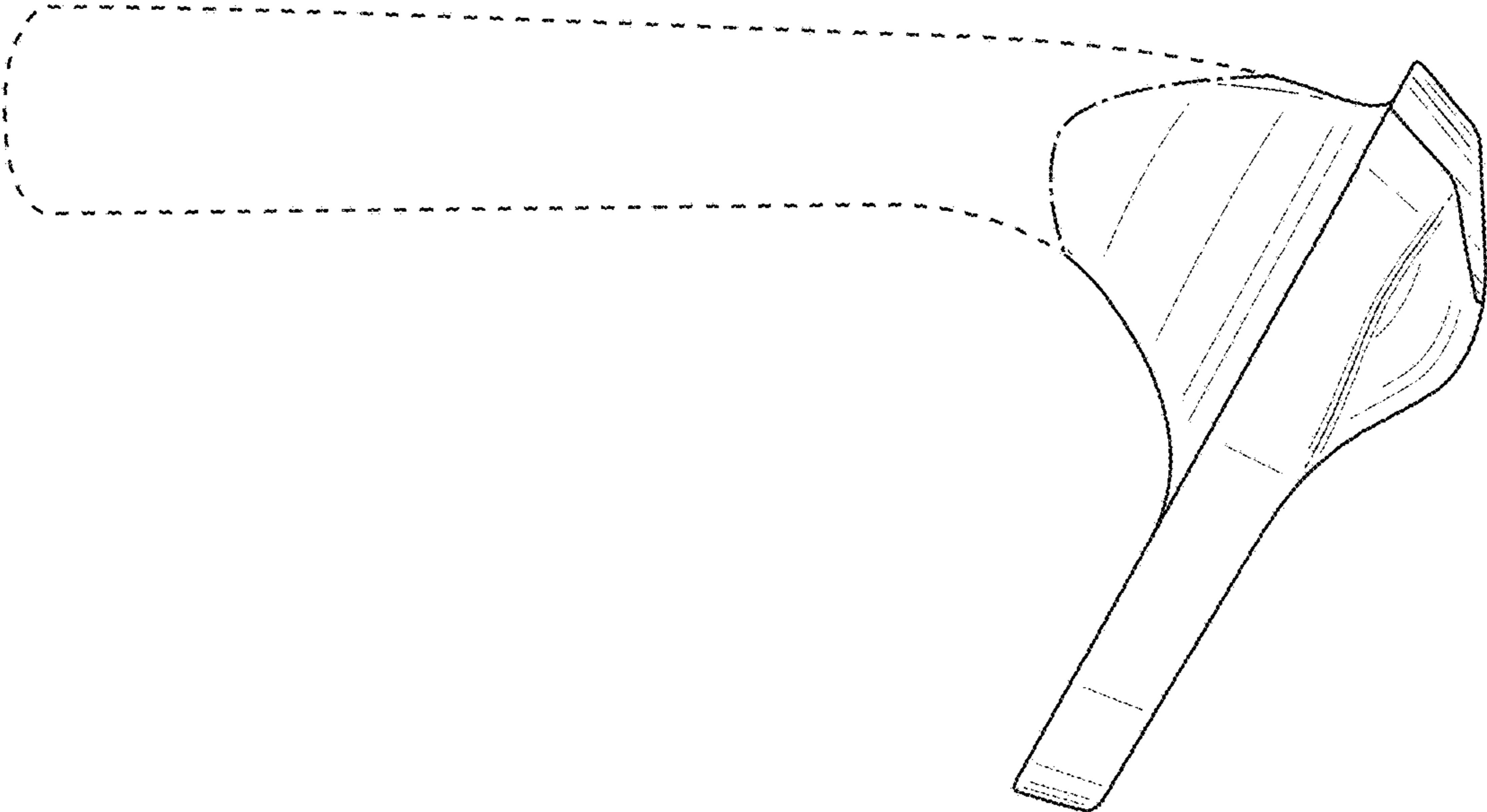


FIG. 21

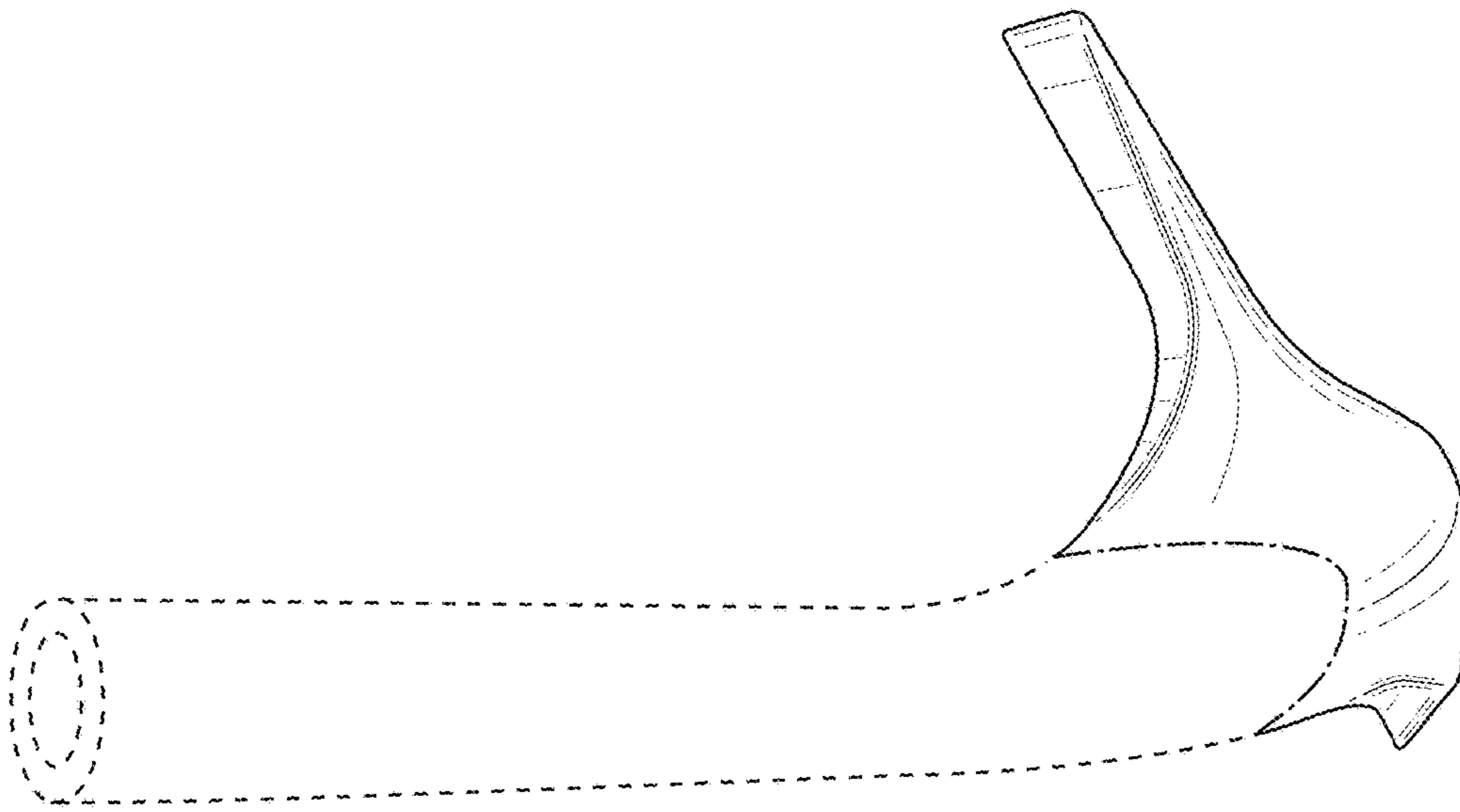


FIG. 22

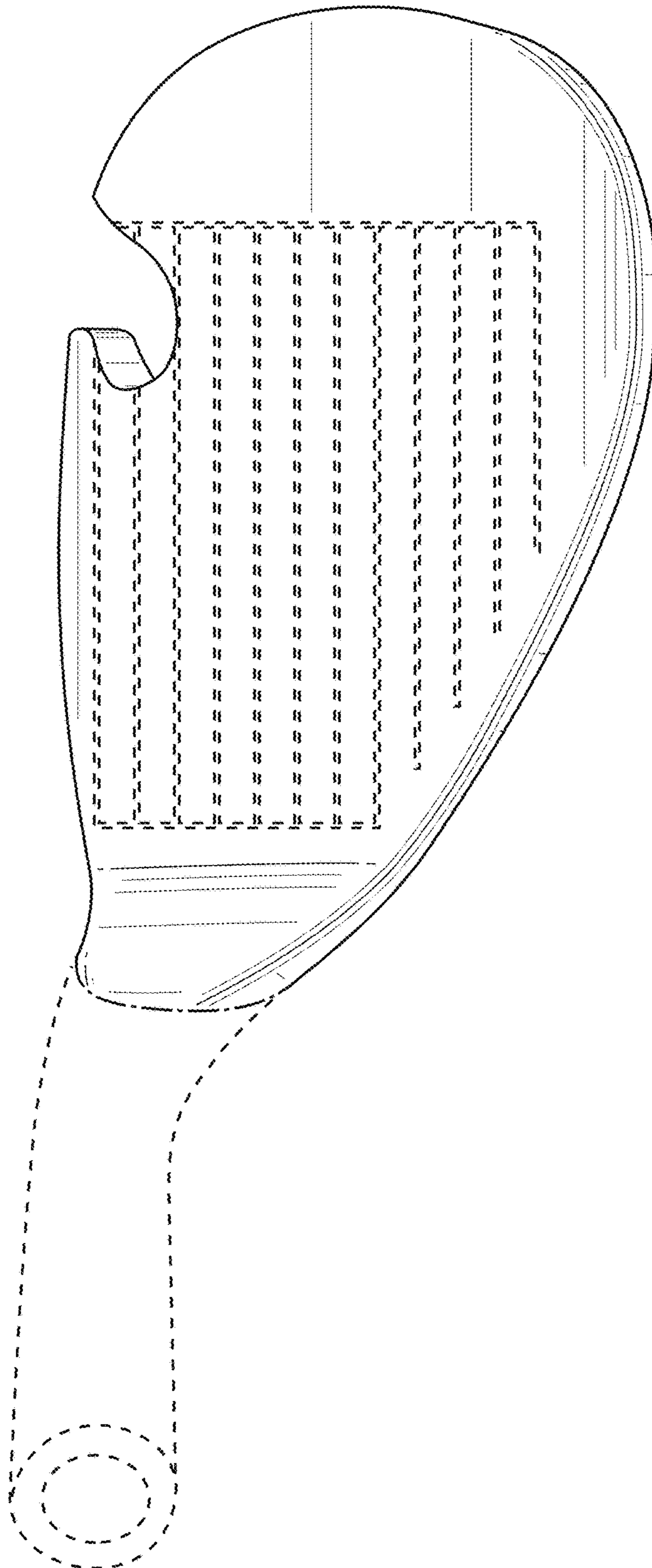


FIG. 23

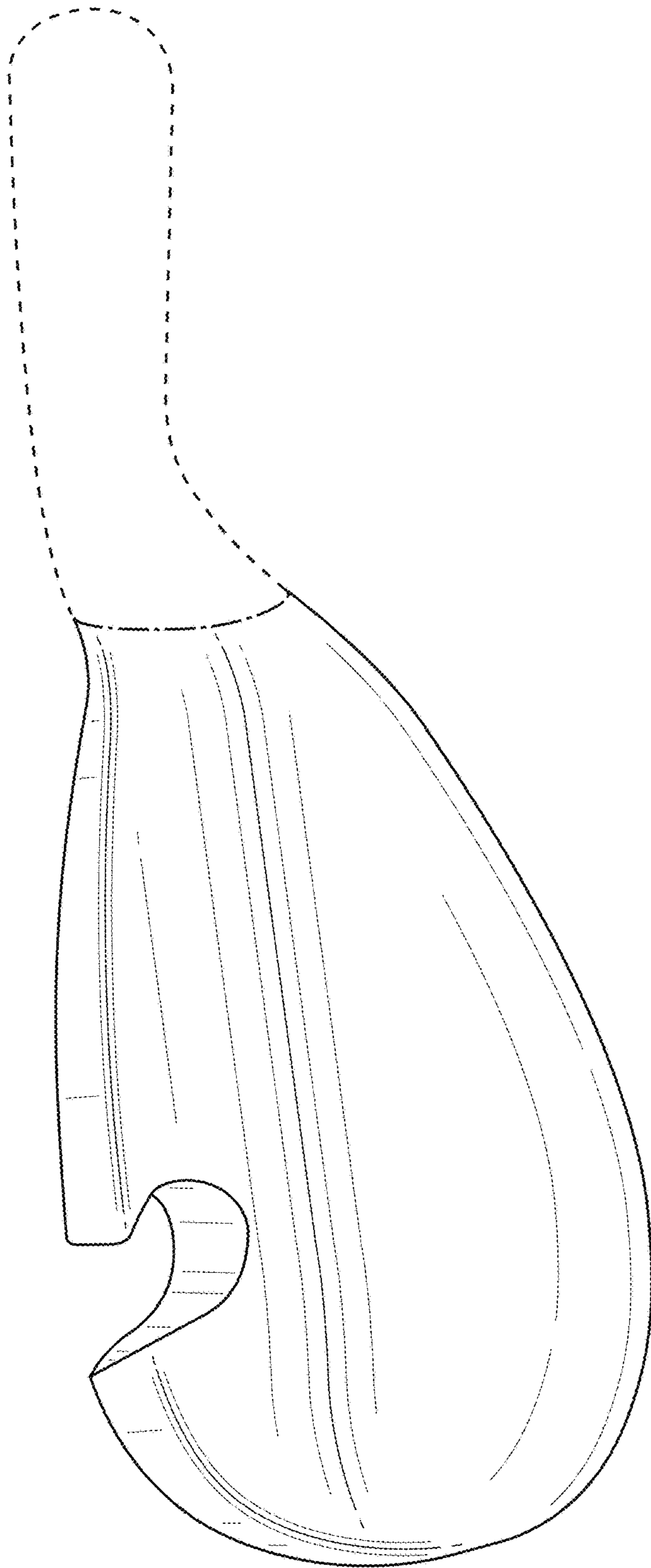


FIG. 24