



US00D819415S

(12) **United States Design Patent**
Battaglia

(10) **Patent No.:** **US D819,415 S**

(45) **Date of Patent:** **** Jun. 5, 2018**

(54) **BAR TOOL**

(71) Applicant: **Nicholas Joseph Battaglia**, Fallston,
MD (US)

(72) Inventor: **Nicholas Joseph Battaglia**, Fallston,
MD (US)

(**) Term: **15 Years**

(21) Appl. No.: **29/607,781**

(22) Filed: **Jun. 16, 2017**

(51) **LOC (11) Cl.** **07-99**

(52) **U.S. Cl.**
USPC **D8/34**

(58) **Field of Classification Search**
USPC D8/18, 33-43; D3/207-211; D7/505,
D7/507, 538; D9/780; D10/462, 463
CPC B67B 7/00; B67B 7/04; B67B 7/06; B67B
7/30; B67B 7/34; B67B 7/14; B67B 7/16;
B67B 7/18; B67B 7/20; B67B 7/44
See application file for complete search history.

(56) **References Cited**

U.S. PATENT DOCUMENTS

497,698 A	5/1893	Weston	
602,757 A *	4/1898	Howell	B67B 7/00 30/259
D29,180 S *	8/1898	Diesel	D9/780
1,689,047 A	10/1928	Packer	
2,062,182 A *	11/1936	Kubitz	B67B 7/24 220/278
2,338,592 A	1/1944	Lorenzen	
2,390,309 A	12/1945	Keys	
2,522,777 A	9/1950	Butt	
2,620,558 A	12/1952	Bergeron	
2,912,141 A *	11/1959	Haas	B67B 7/26 222/566
2,943,389 A	7/1960	Dubois	
D232,415 S *	8/1974	Matsumoto	81/3.55
4,116,362 A *	9/1978	Skinner	B65D 43/0212 220/284
D261,448 S *	10/1981	Liebscher	D11/81

D292,770 S	11/1987	Scurto	
4,829,619 A *	5/1989	Edgerton	B67B 7/00 30/400
5,029,720 A *	7/1991	Bridges	A47G 23/0225 220/737
5,186,353 A *	2/1993	Ramsey	B65D 47/265 220/254.4

(Continued)

OTHER PUBLICATIONS

Tools for opening cans available for purchase at <https://ragingmammoth.com/products/the-sabertooth-raw?variant=11986419204>, website printed Mar. 31, 2017.

(Continued)

Primary Examiner — Elizabeth Albert

(74) *Attorney, Agent, or Firm* — Pamela K. Riewerts, Esq.; Larry J. Guffey, Esq.; Oliver & Grimsley, LLC

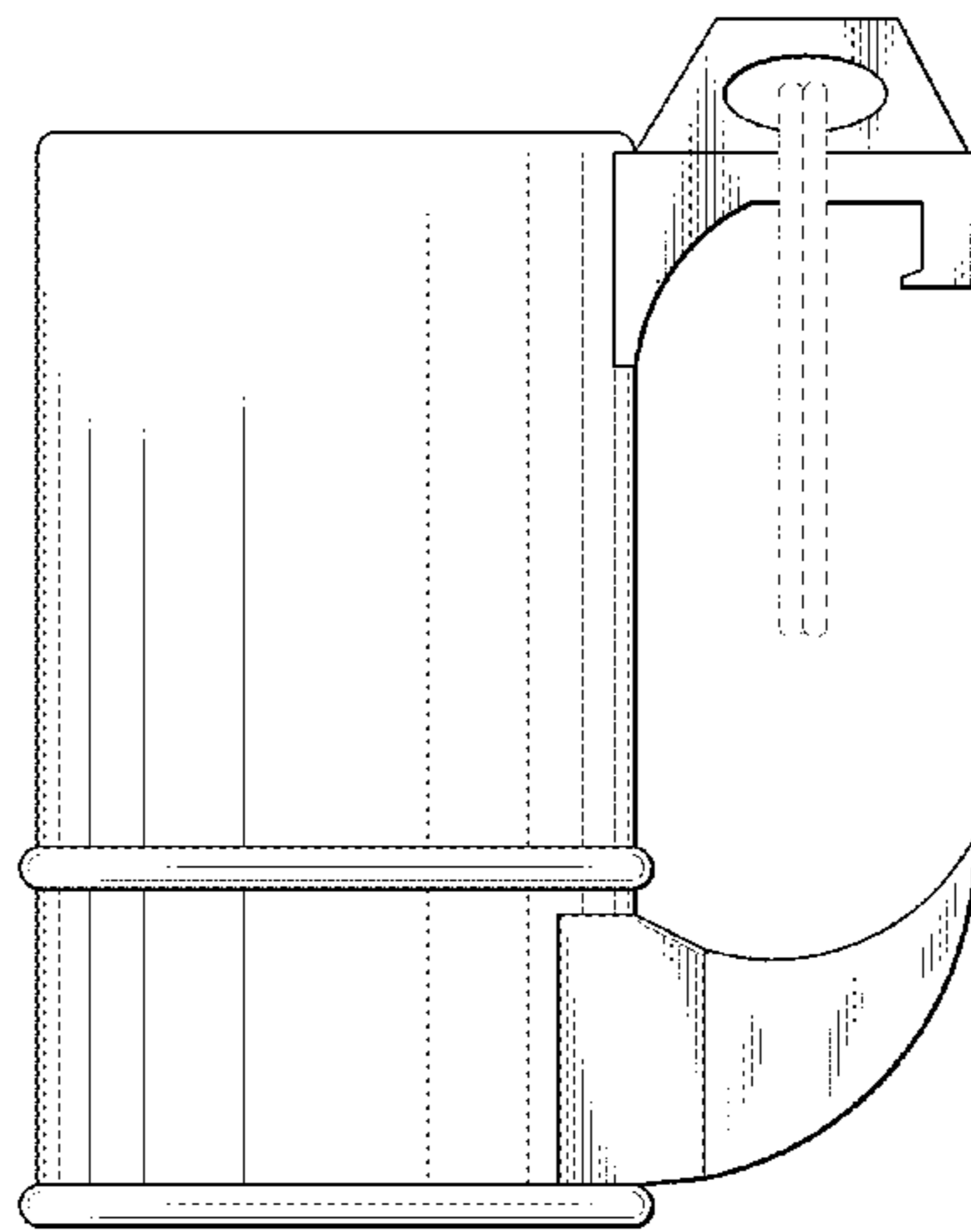
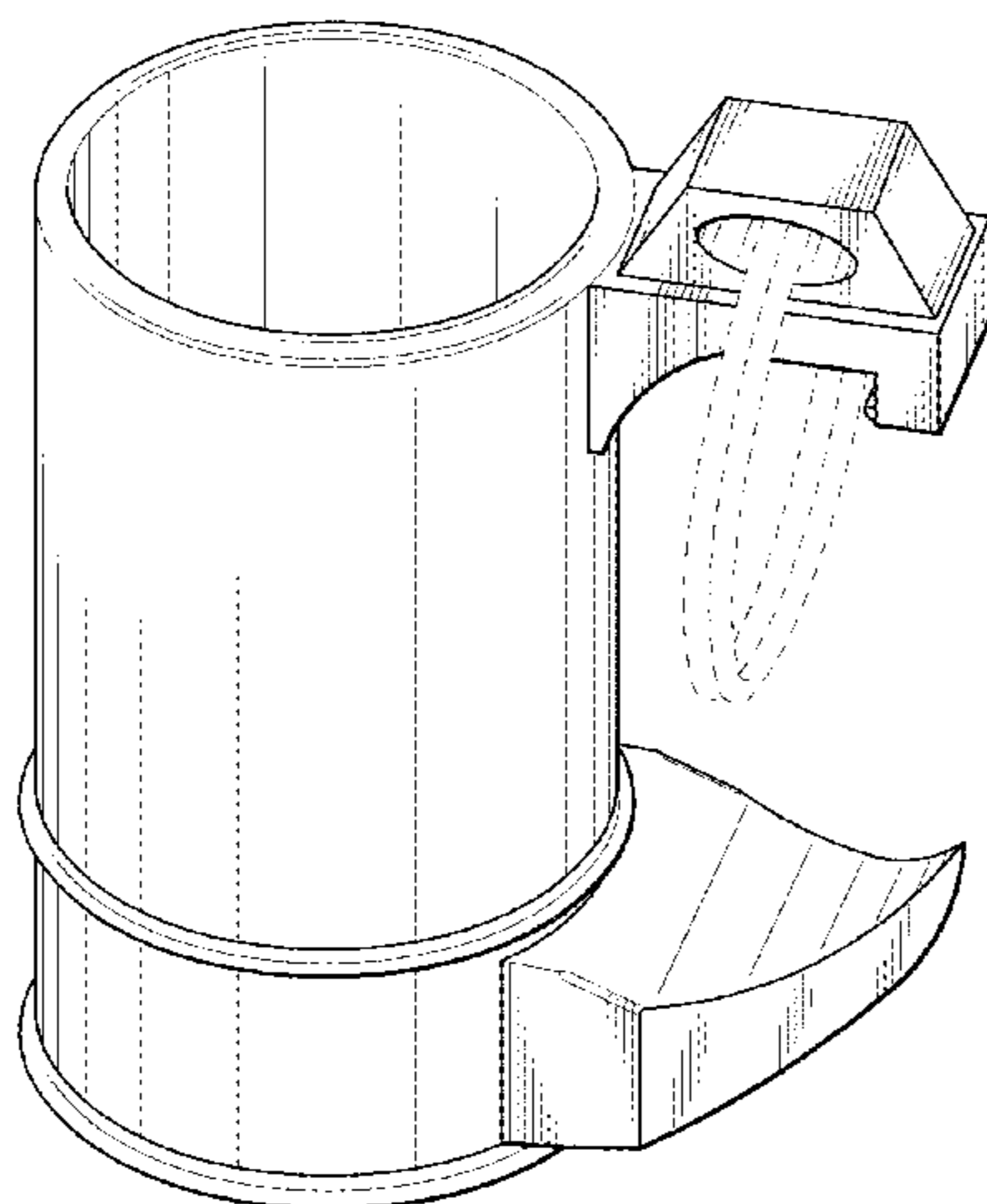
(57) **CLAIM**

The ornamental design for a bar tool, as shown and described.

DESCRIPTION

FIG. 1 is a perspective view of a bar tool showing my new design in an upright position;
FIG. 2 is a front elevational view thereof;
FIG. 3 is a left side elevational view thereof, the right side elevational view being a mirror image of FIG. 3;
FIG. 4 is a rear elevational view thereof;
FIG. 5 is a top plan view thereof;
FIG. 6 is a bottom plan view thereof; and,
FIG. 7 is a perspective view of the bar tool in an upside-down position.
The broken lines shown in the drawings are included for the purpose of illustrating unclaimed portions and form no part of the claimed design.

1 Claim, 7 Drawing Sheets



(56)

References Cited

U.S. PATENT DOCUMENTS

D424,431	S *	5/2000	Suzuki	D21/324
D674,002	S *	1/2013	Ginter	D17/22
8,387,264	B1	3/2013	Pritchard		
8,950,030	B2	2/2015	Kristiansen		
9,149,139	B1 *	10/2015	Rogers	A47G 23/02
D746,158	S *	12/2015	Logue	D10/46.2
D792,750	S *	7/2017	Goldstein	D3/208
2002/0078534	A1	6/2002	Williams		
2005/0183547	A1	8/2005	Corredor		
2006/0117577	A1	6/2006	King		
2007/0006685	A1	1/2007	Fok		
2014/0000042	A1	1/2014	Kristiansen		

OTHER PUBLICATIONS

Shotgun shell keychain available for purchase at <https://www.etsy.com/listing/178634353/shotgun-shell-keychain-red?ref=market>, website printed Mar. 31, 2017.

Shotgun shell keychain available for purchase at <https://www.etsy.com/listing/270967885/shotgun-shell-keychain-remington-12g?ref=market>, website printed Mar. 31, 2017.

Matte black .50 Caliber Bottle Opener available for purchase at <https://www.bullets2bandages.org/collections/50-caliber/products/>

50-caliber-bullet-bottle-opener-1?variant=19593484355, website printed Mar. 31, 2017.

Bottle Breacher 7.62MM Keychain available for purchase at <http://bottlebreacher.com/bottle-breacher-7-62mm-solid-brass-keychain/>, website printed Mar. 31, 2017.

50 Caliber Bullet Bottle Opener available for purchase at https://www.etsy.com/listing/159327196/anniversary-gift-bottle-opener-50-cal?utm_source=Pinterest&utm_medium=PageTools&utm_campaign=Share, website printed Mar. 31, 2017.

Magnetic 12 Gauge Shotgun Shell Beer Cap Soda/Pop Top Bottle Opener Bar/Pub Tool available for purchase at <https://www.amazon.com/Magnetic-Gauge-Shotgun-Bottle-Opener/dp/B01LMXBDKY>, website printed Mar. 31, 2017.

Aluminum alloy keychain key tag chain ring beer bottle can opener available for purchase at <https://www.aliexpress.com/item/Fashion-2pcs-Aluminium-Alloy-Keychain-Key-Tag-Chain-Ring-Beer-Bottle-Can-Opener-Orange-and-Green/32733803022.html?spm=2114.40010308.4.32.BtJI7z>, website printed Mar. 31, 2017.

Shotgun Beer Can Opening Keyring Bong available for purchase at <https://www.amazon.com/Shotgun-Beer-Opener-Keyring-Bong/dp/B004JOVZES>, website printed Mar. 31, 2017.

Shotgun Party Opener available for purchase at <http://shop.tailgatingideas.com/product/shotgun-party-opener/>, website printed Mar. 31, 2017.

* cited by examiner

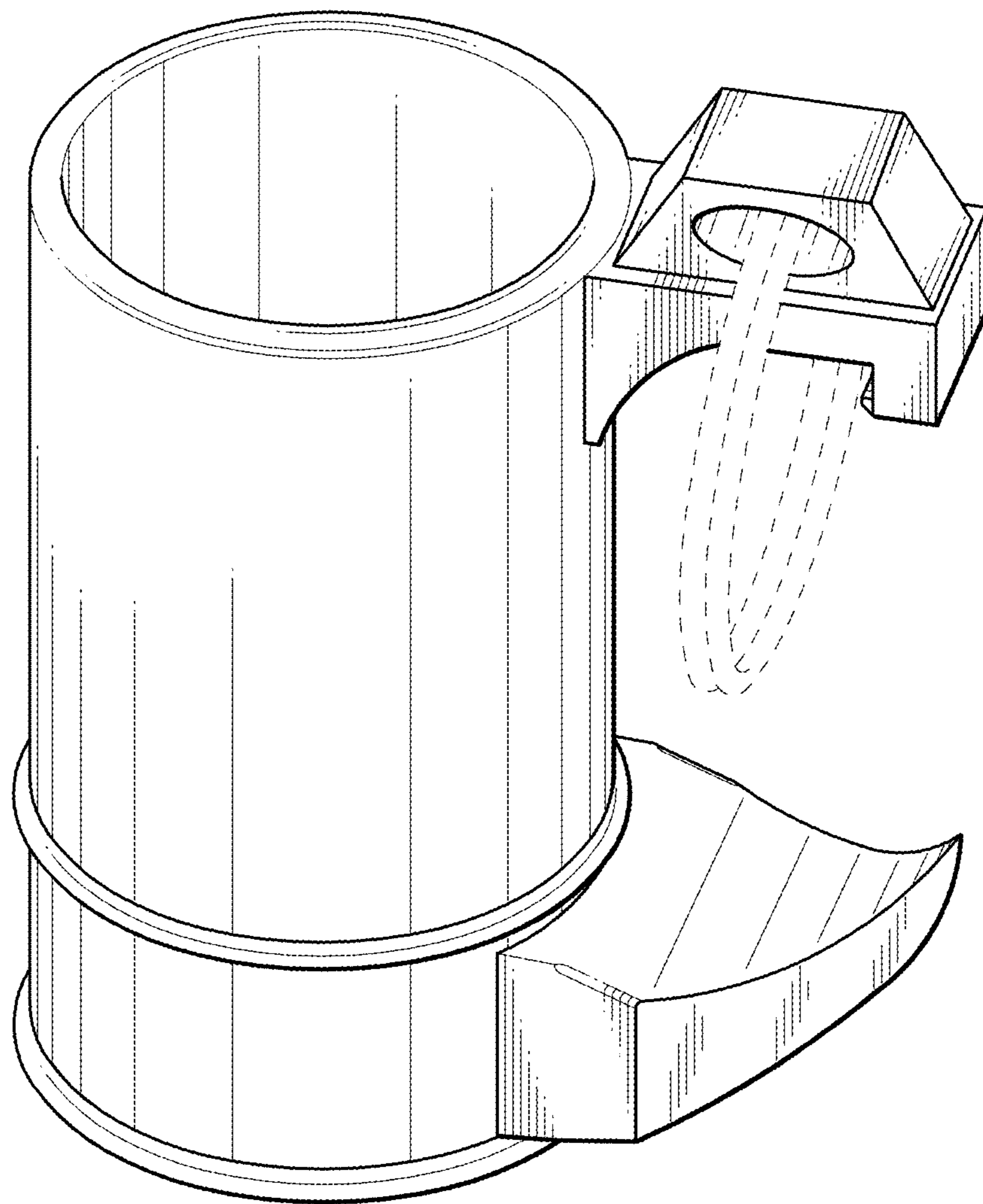


FIG. 1

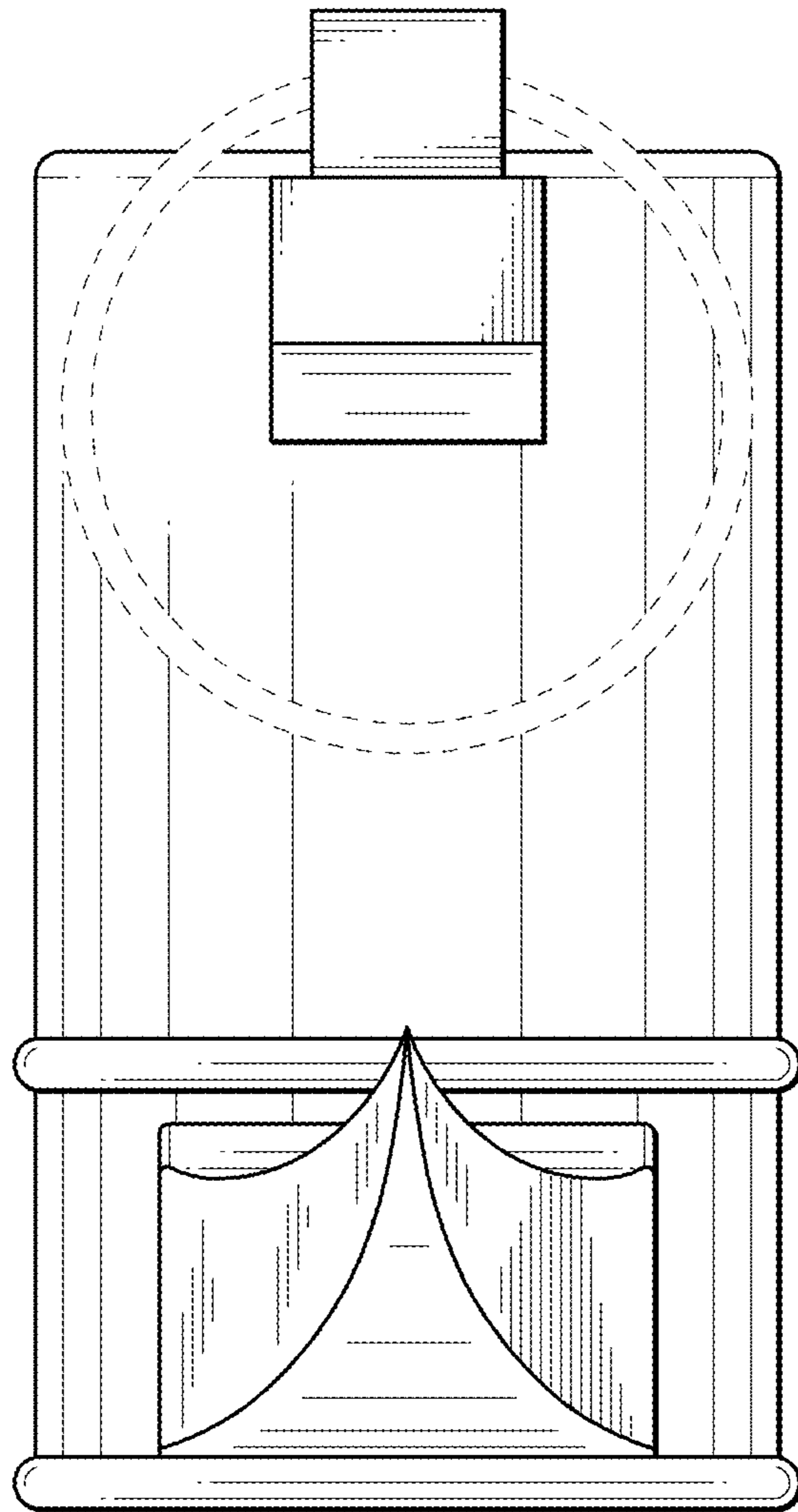


FIG. 2

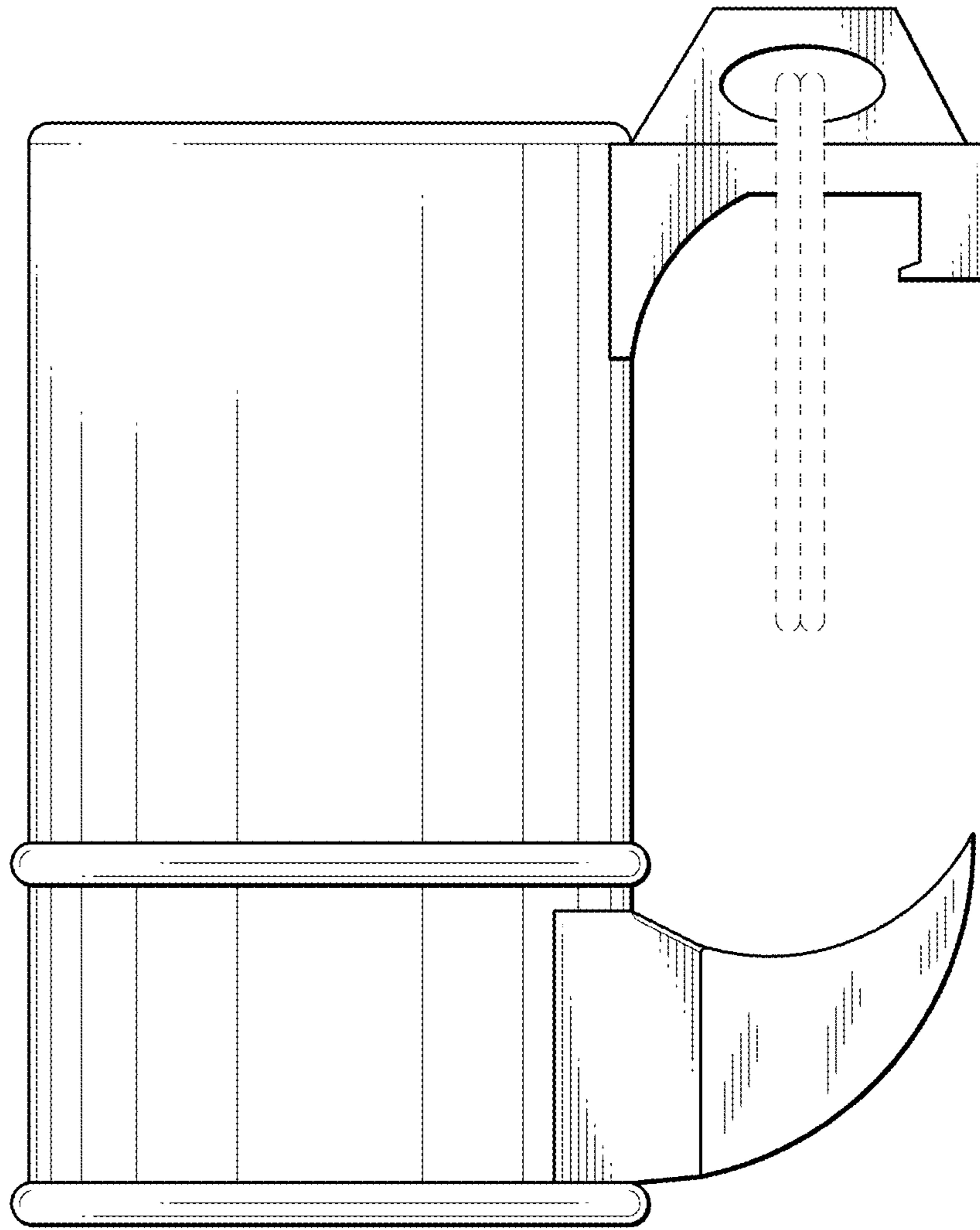


FIG. 3

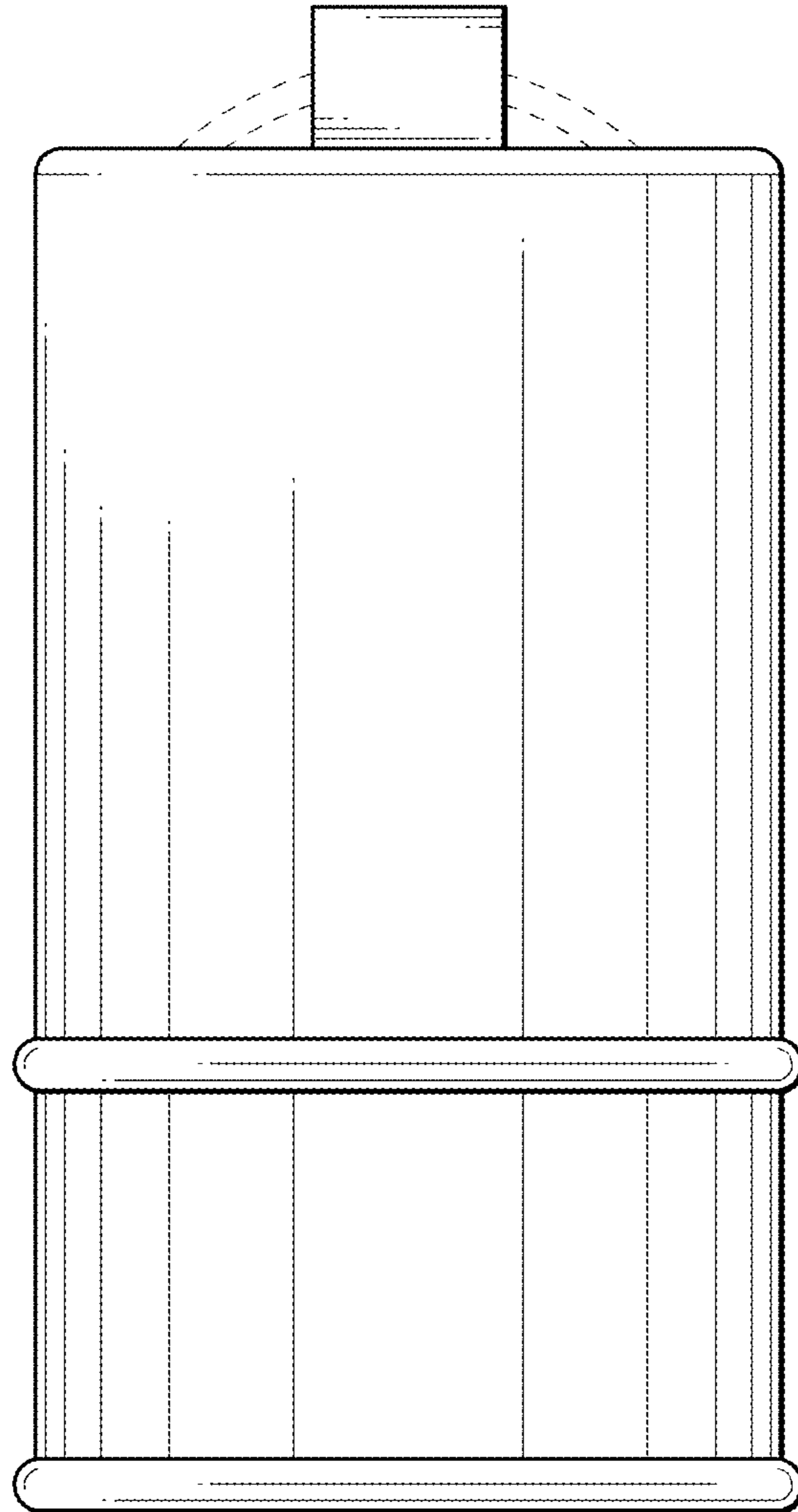


FIG. 4

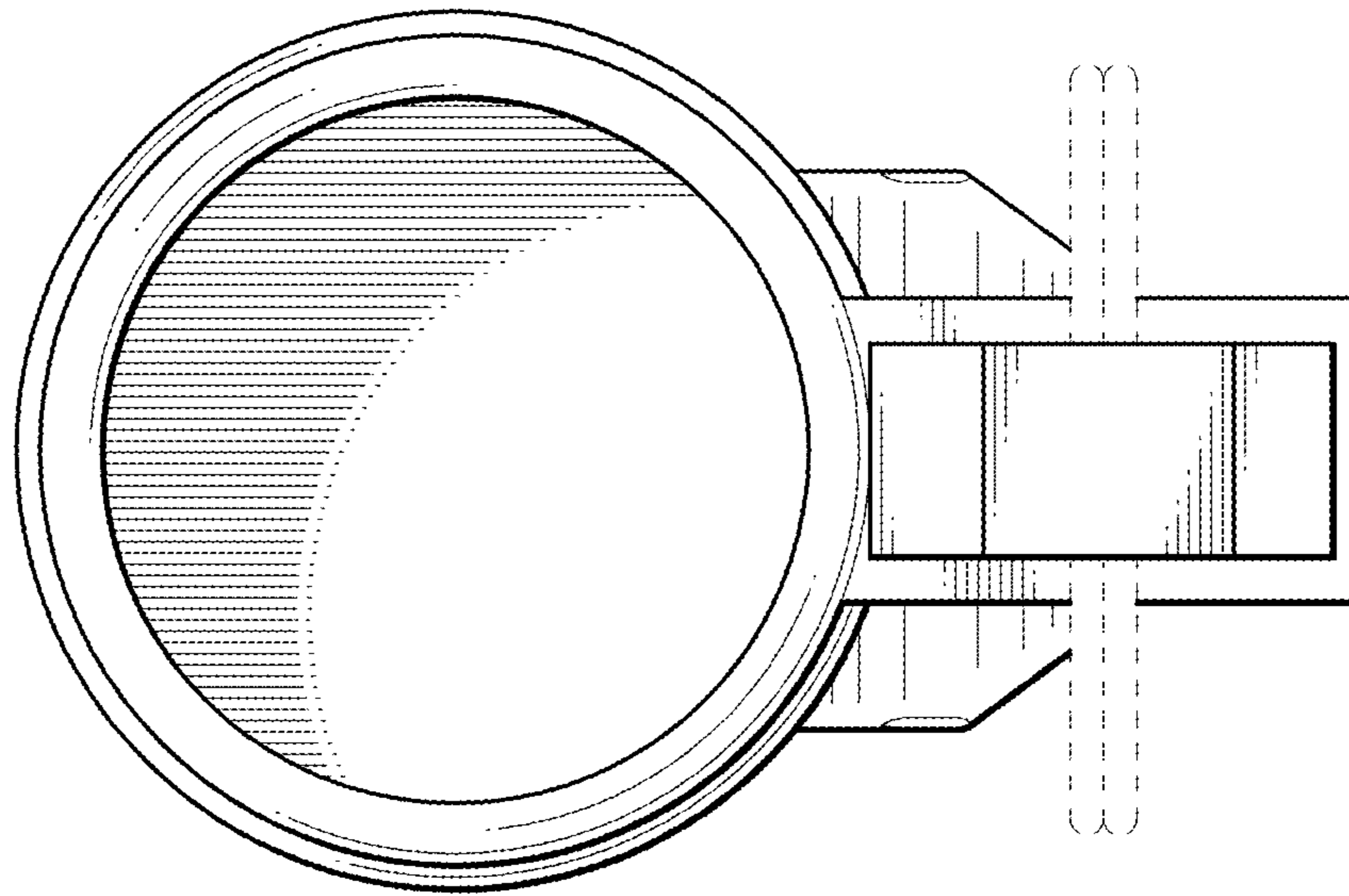


FIG. 5

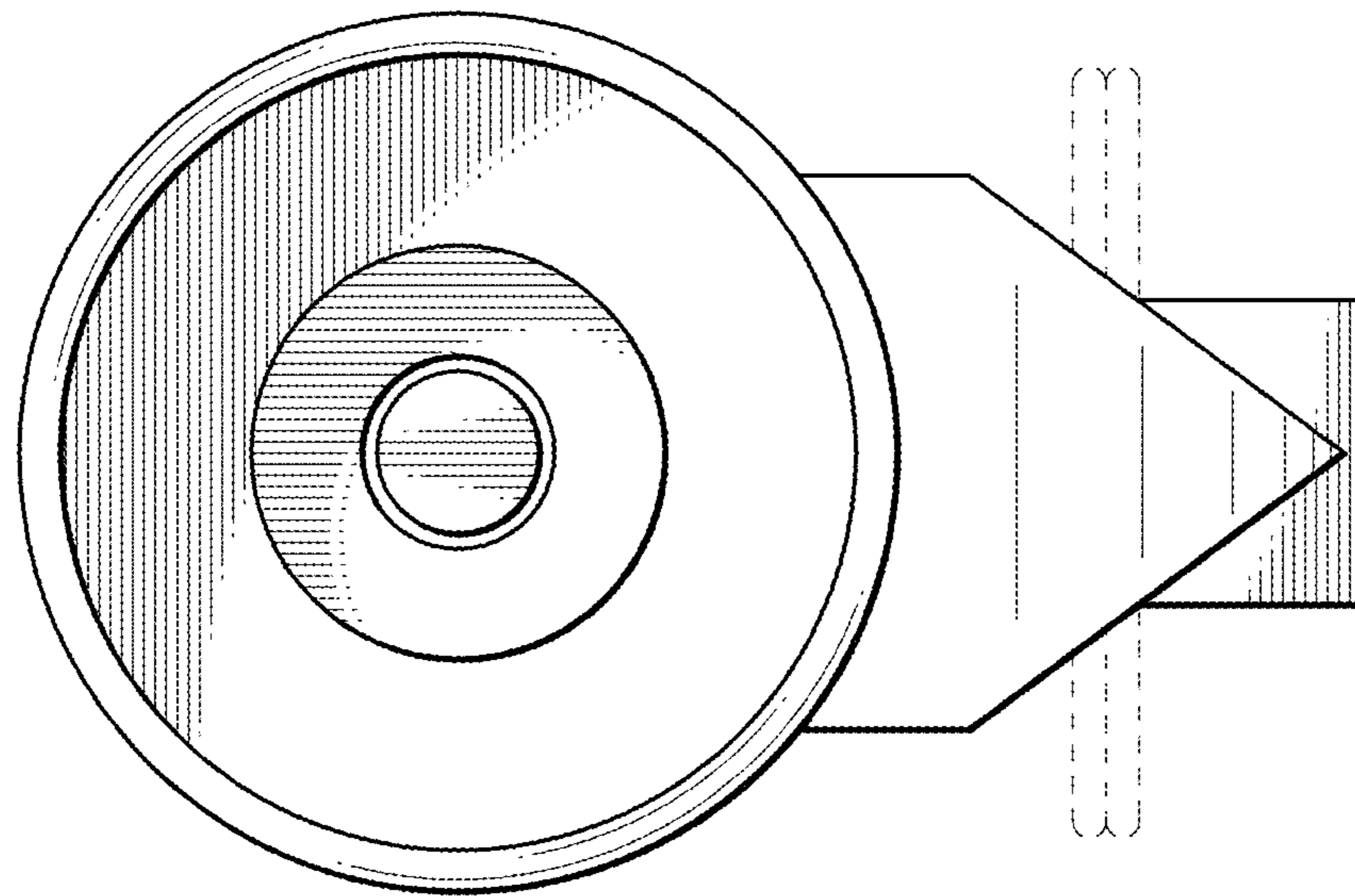


FIG. 6

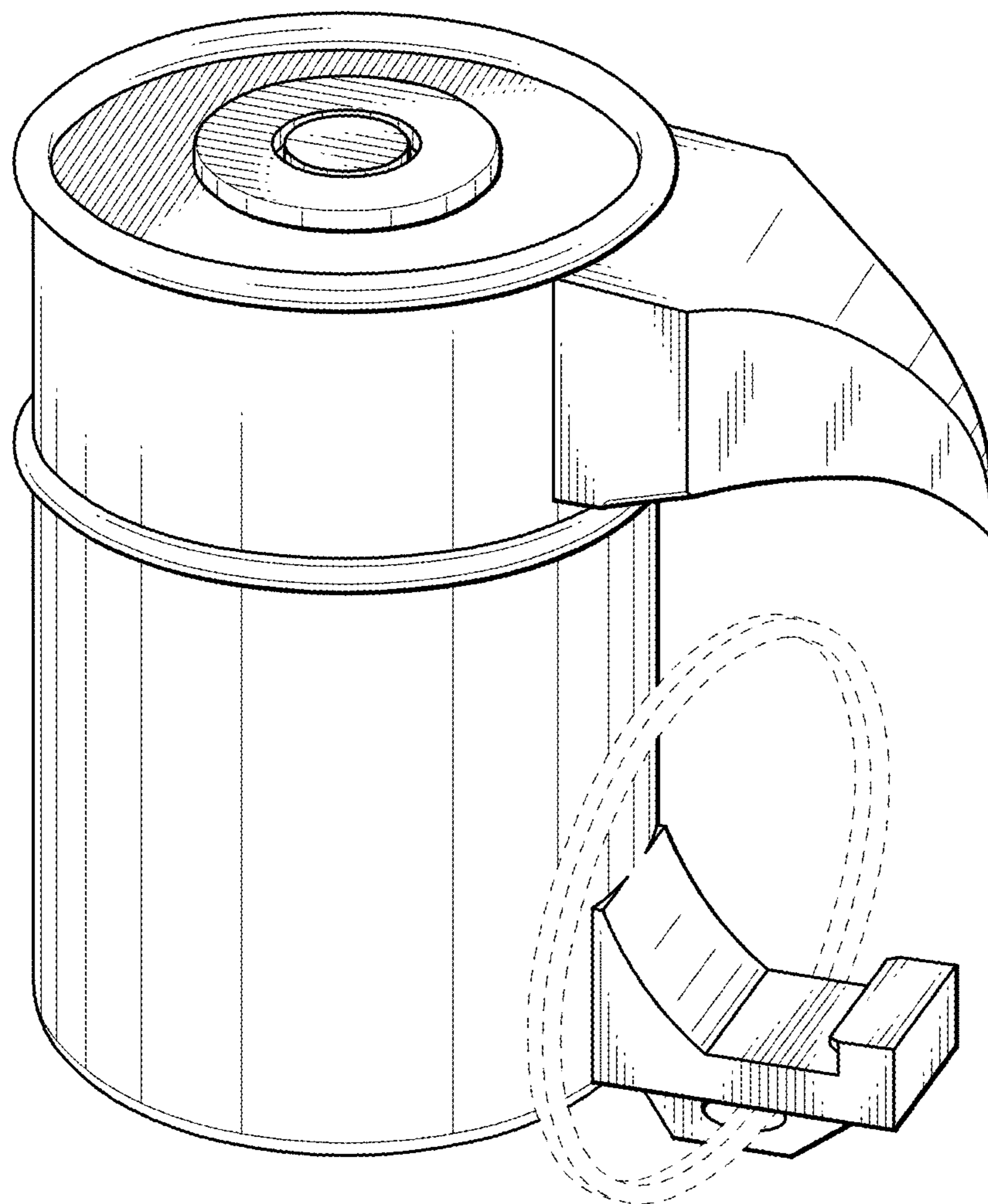


FIG. 7