



US00D819414S

(12) **United States Design Patent**
Solomon

(10) **Patent No.:** **US D819,414 S**
(45) **Date of Patent:** **** Jun. 5, 2018**

(54) **FLUID TRANSFER DEVICE**

(71) Applicant: **Merrill Solomon**, Potomac, MD (US)

(72) Inventor: **Merrill Solomon**, Potomac, MD (US)

(**) Term: **15 Years**

(21) Appl. No.: **29/596,698**

(22) Filed: **Mar. 10, 2017**

(51) **LOC (11) Cl.** **07-99**

(52) **U.S. Cl.**

USPC **D7/700**

(58) **Field of Classification Search**

USPC D7/400, 667, 398; D9/440, 436, 524,
D9/712; D23/209, 302; D10/46.2;
D1/105, 116; D24/108, 122

CPC A61J 11/04; A61J 9/00; B01F 15/00915;
B65B 39/00; B65B 39/04; B65D 35/38;
B65D 47/06; B67C 11/02; A47J 31/06;
C02F 1/003

See application file for complete search history.

(56) **References Cited**

U.S. PATENT DOCUMENTS

D310,123 S *	8/1990	Carlson	D23/200
D472,630 S *	4/2003	Douglas	D24/108
D498,992 S *	11/2004	Bloom	D7/700
D529,383 S *	10/2006	Haworth	D9/448
D583,058 S *	12/2008	Short	D24/162
D589,764 S *	4/2009	Randolph	D7/700
D619,431 S *	7/2010	Wax	D7/700
D675,882 S *	2/2013	Crockett	D7/601
D811,832 S *	3/2018	Rummel	D7/700

* cited by examiner

Primary Examiner — Karen S Acker

Assistant Examiner — Steven B Reinholdt, Jr.

(74) *Attorney, Agent, or Firm* — Edell, Shapiro & Finnan, LLC

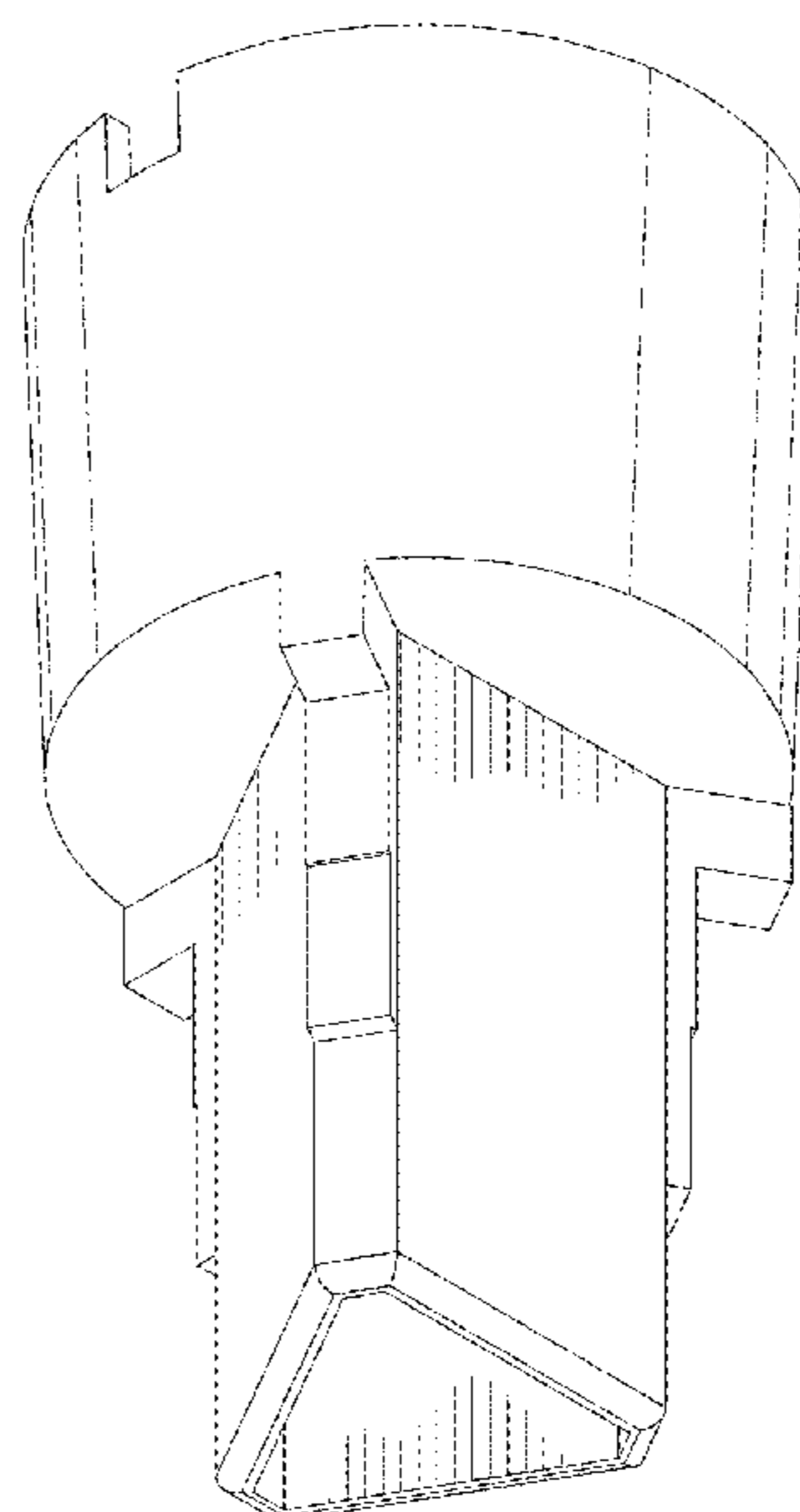
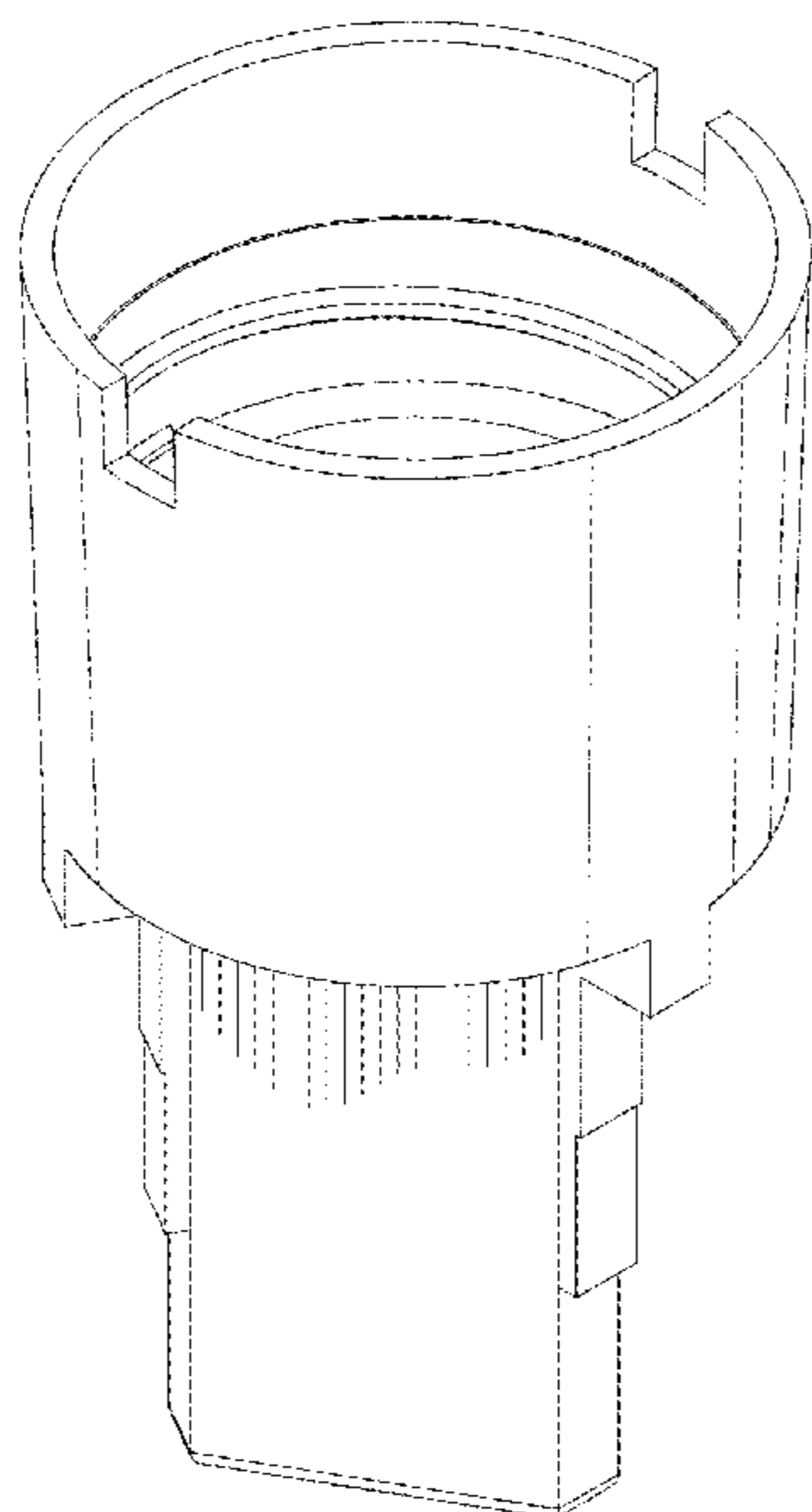
(57) **CLAIM**

The ornamental design for a fluid transfer device, as shown and described.

DESCRIPTION

FIG. 1 is a front right perspective view from above of the fluid transfer device showing the new design;
 FIG. 2 is a front right perspective view from below of the fluid transfer device showing the new design;
 FIG. 3 is a front left perspective view from above of the fluid transfer device showing the new design;
 FIG. 4 is a front left perspective view from below of the fluid transfer device showing the new design;
 FIG. 5 is a top perspective view of the fluid transfer device showing the new design;
 FIG. 6 is a bottom perspective view of the fluid transfer device showing the new design;
 FIG. 7 is a front view in elevation of the fluid transfer device showing the new design;
 FIG. 8 is a rear view in elevation of the fluid transfer device showing the new design;
 FIG. 9 is a left side view in elevation of the fluid transfer device showing the new design;
 FIG. 10 is a right side view in elevation the fluid transfer device showing the new design;
 FIG. 11 is a top view in plan of the fluid transfer device showing the new design; and,
 FIG. 12 is a bottom view in plan of the fluid transfer device showing the new design.

1 Claim, 6 Drawing Sheets



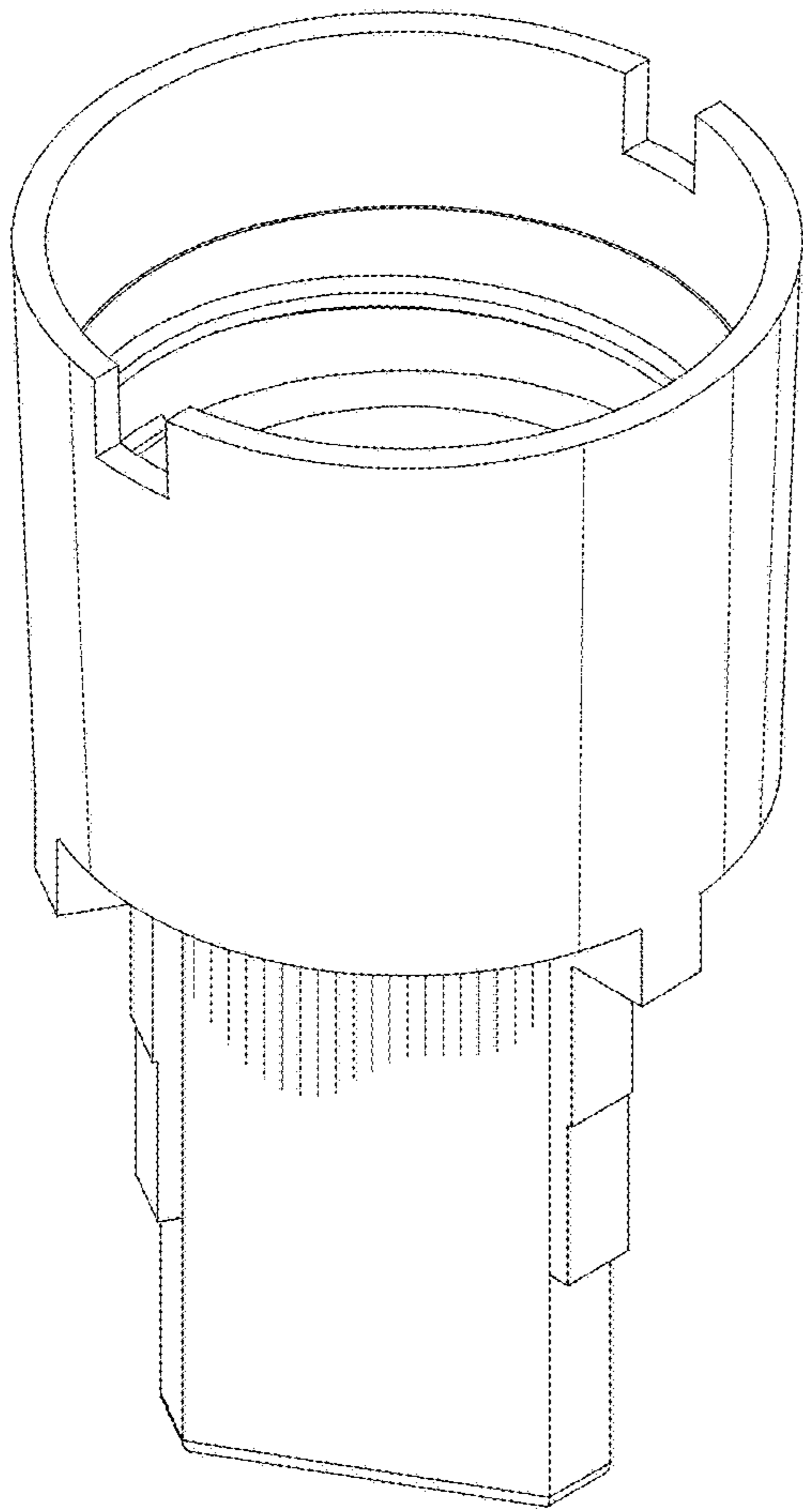


FIG.1

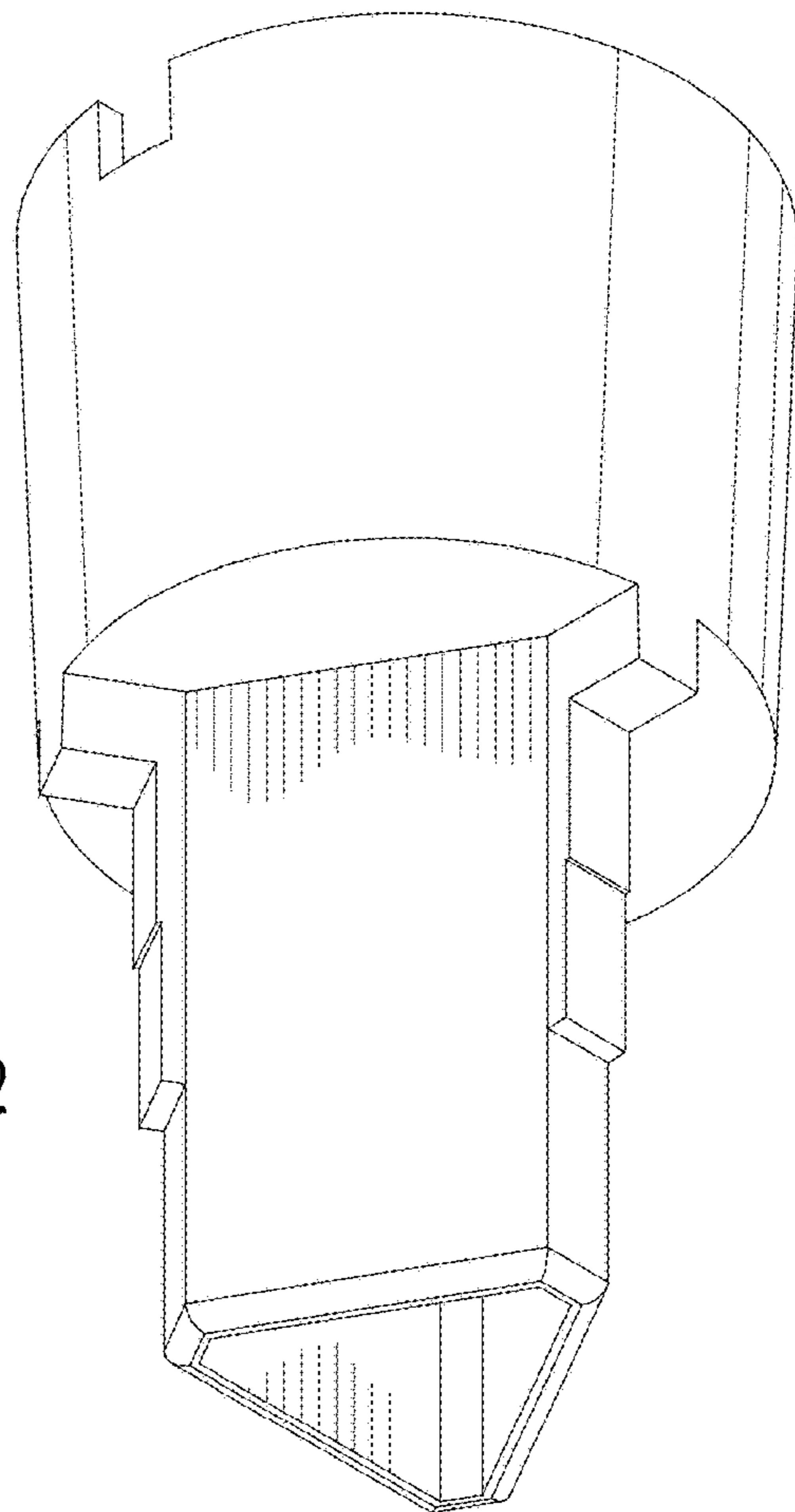


FIG.2

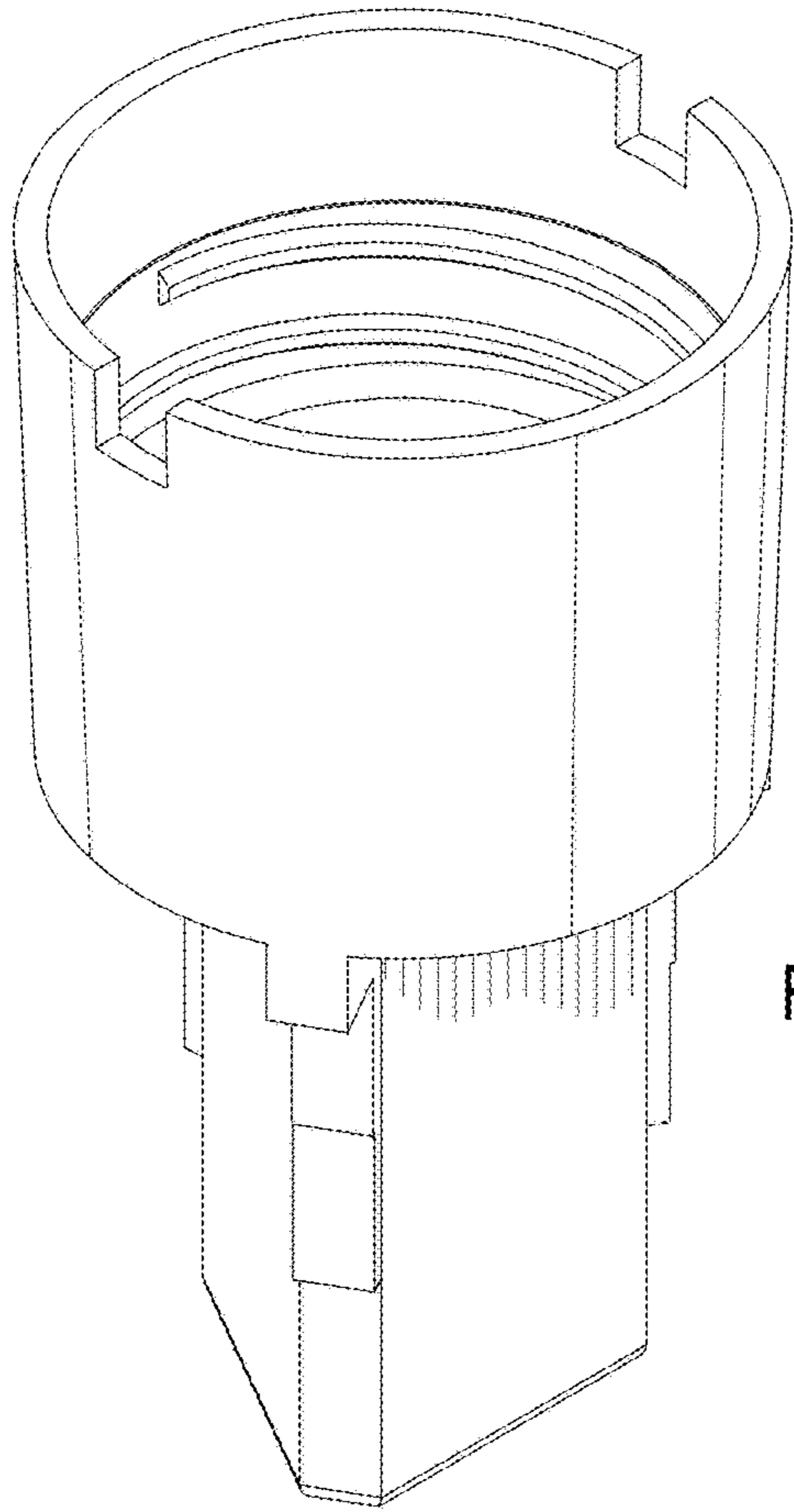


FIG.3

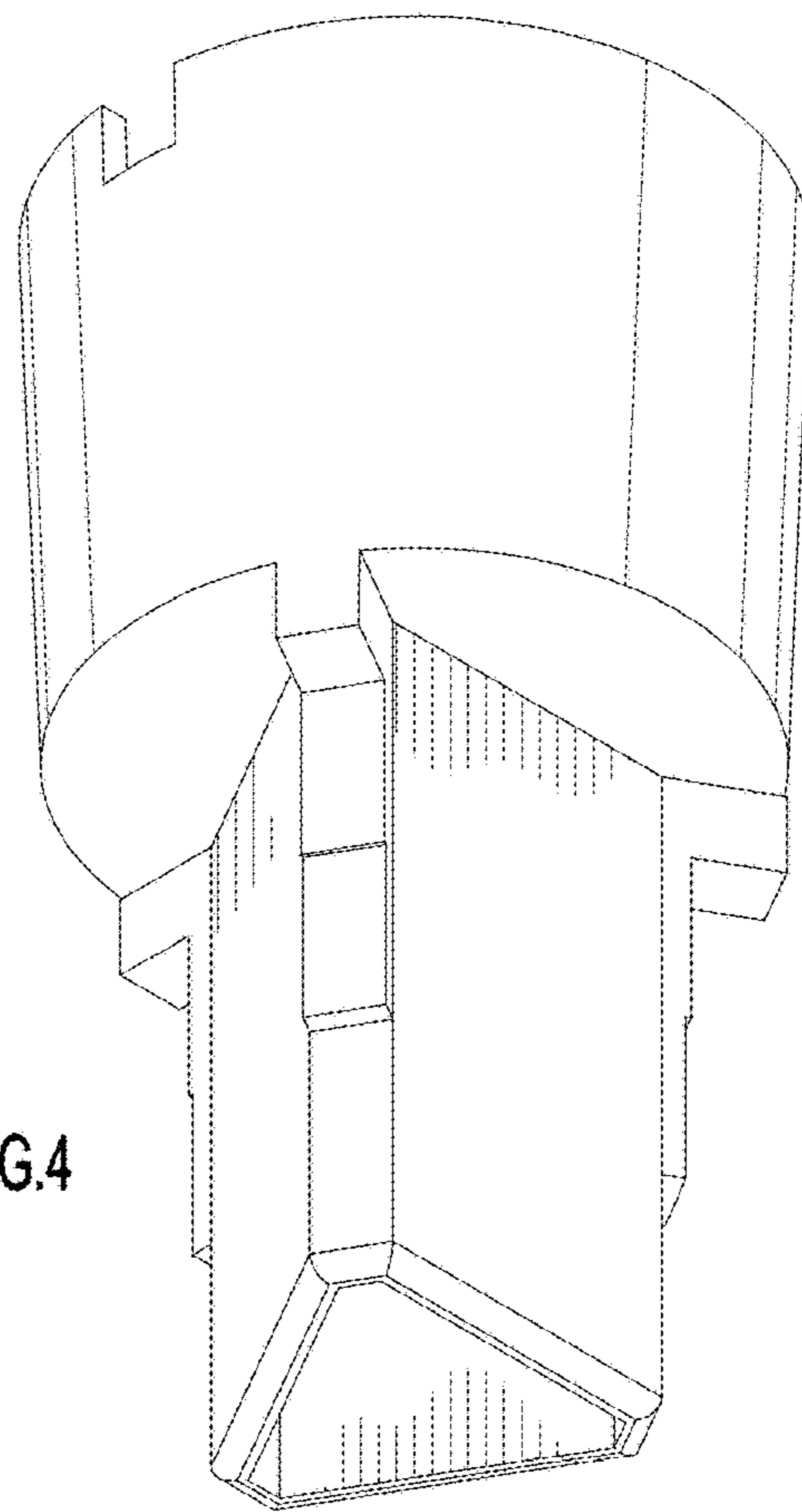


FIG.4

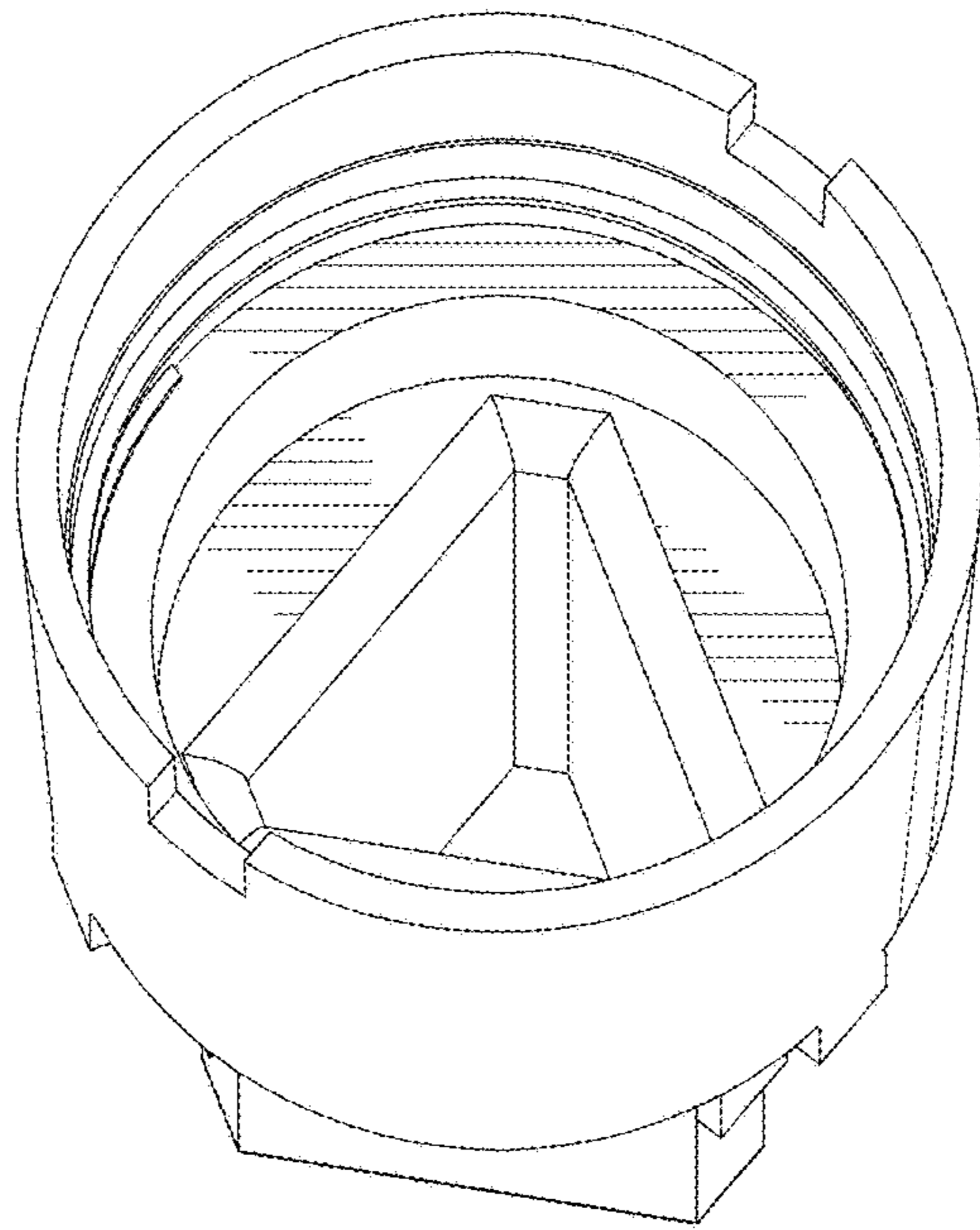


FIG.5

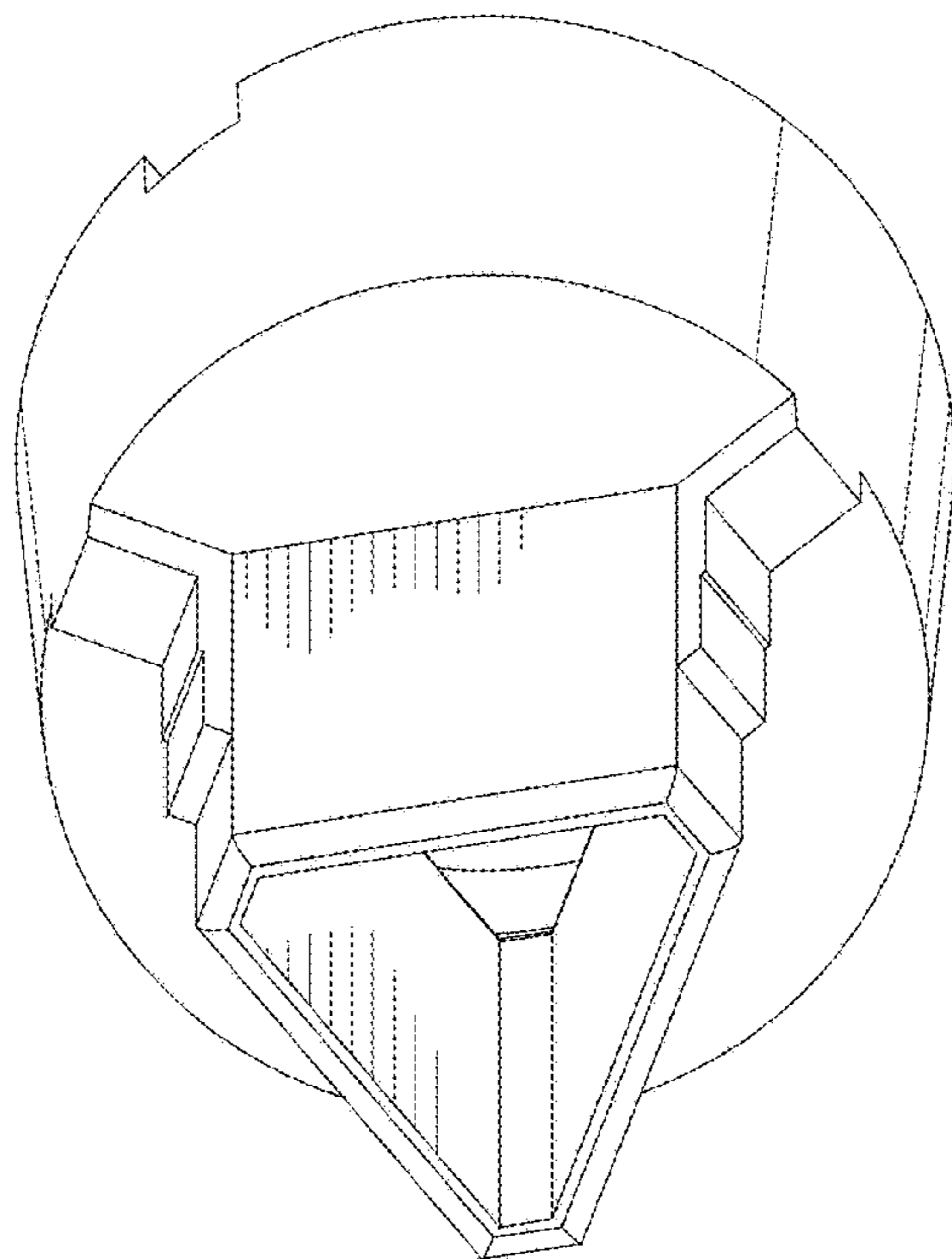


FIG.6

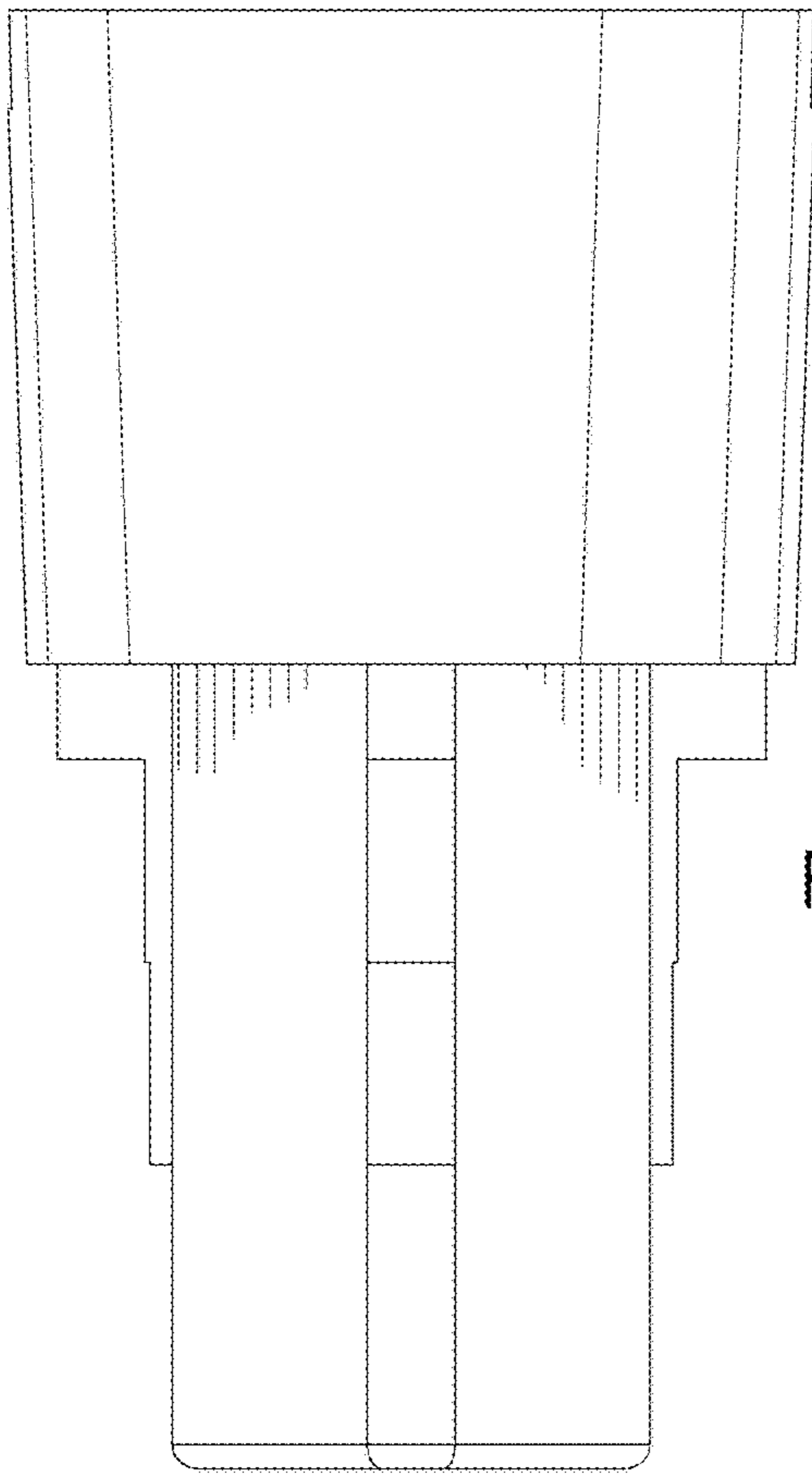


FIG.7

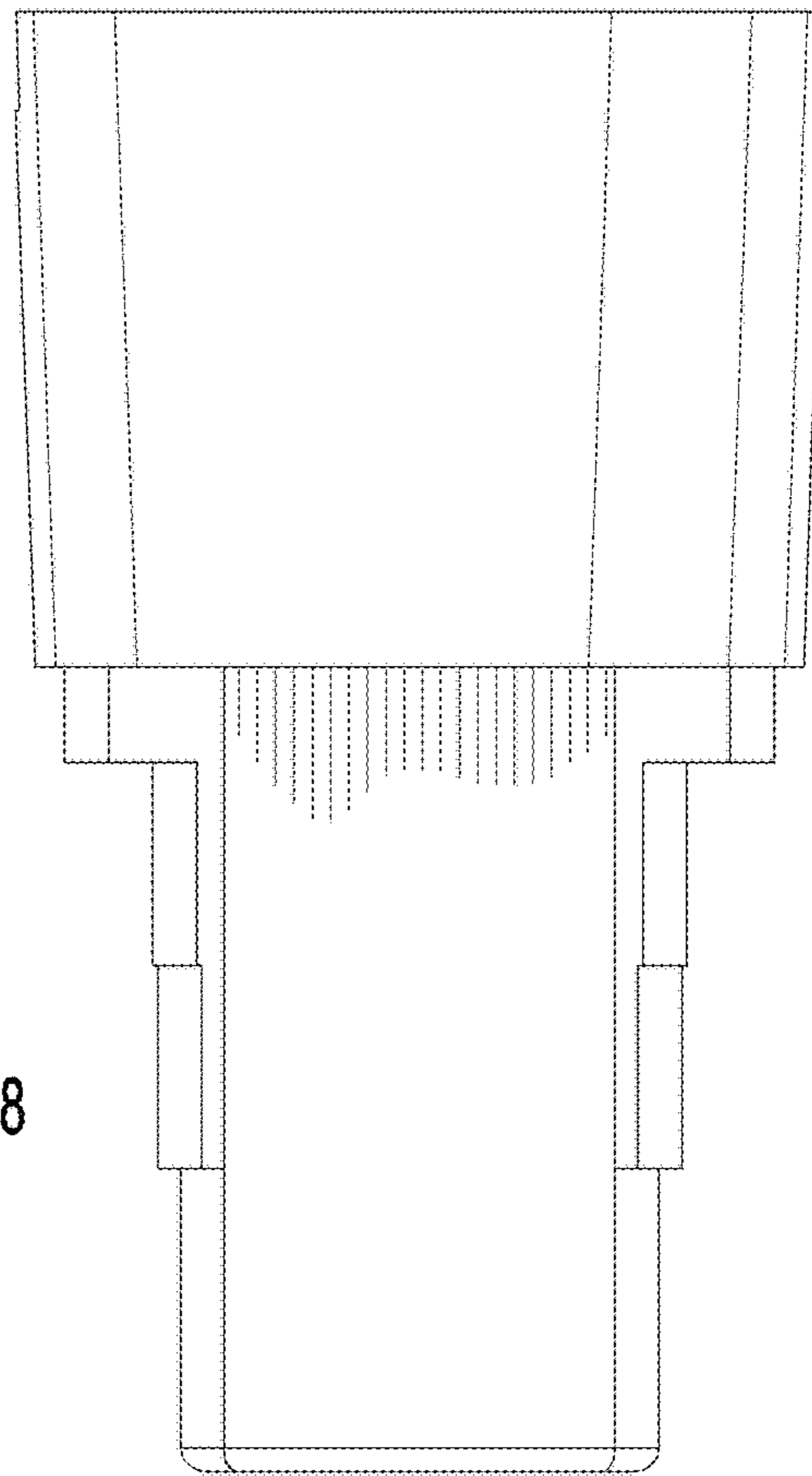


FIG.8

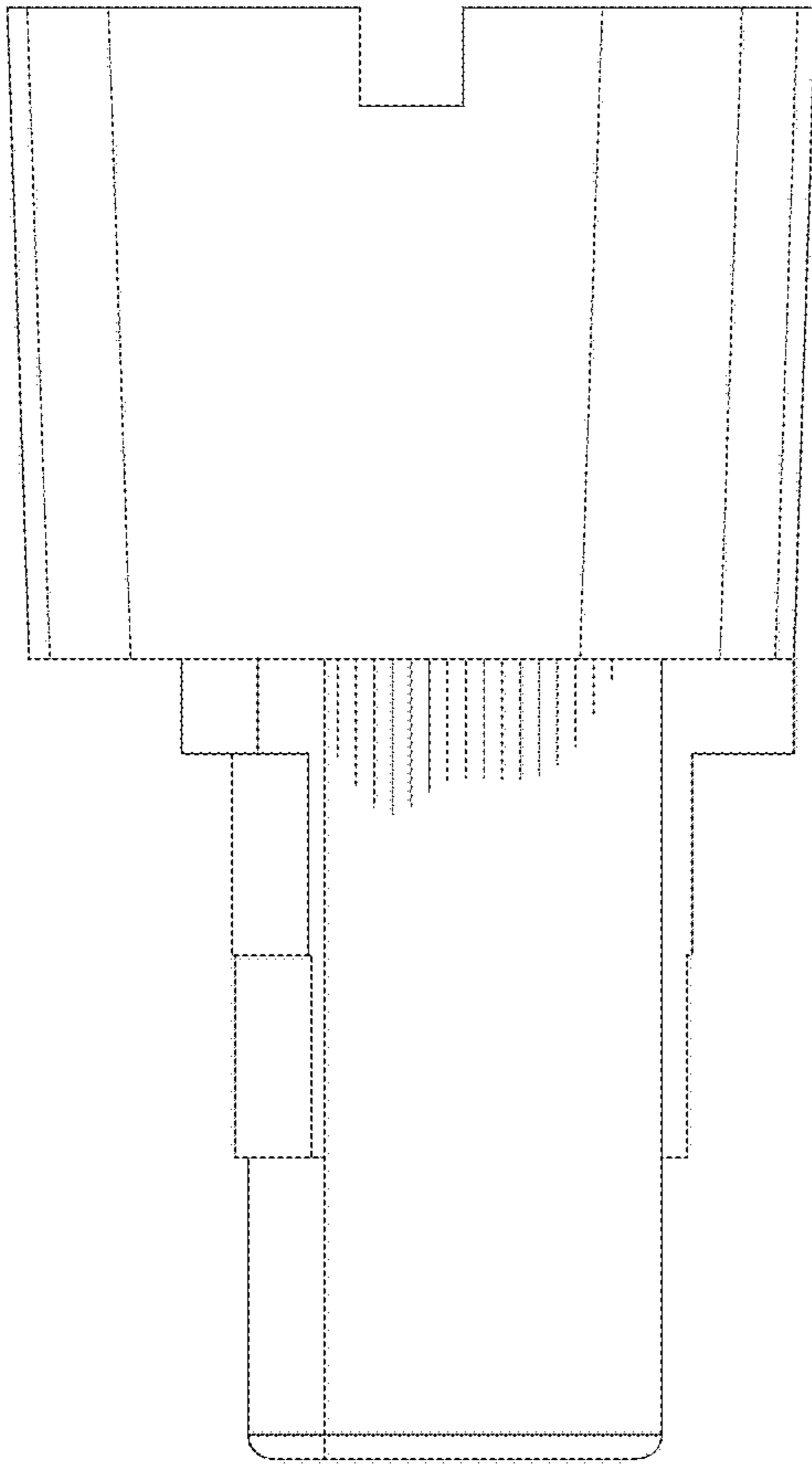


FIG.9

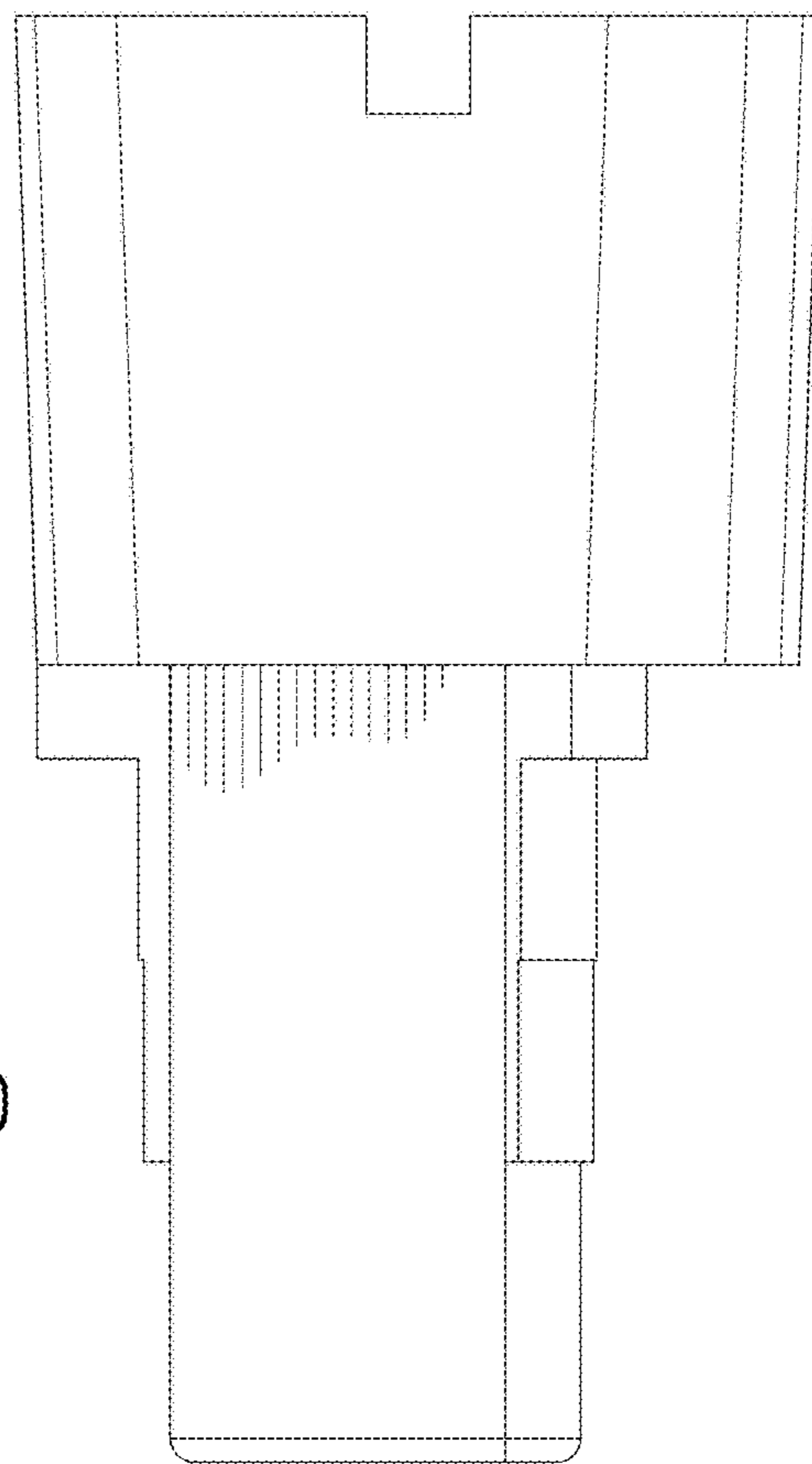


FIG.10

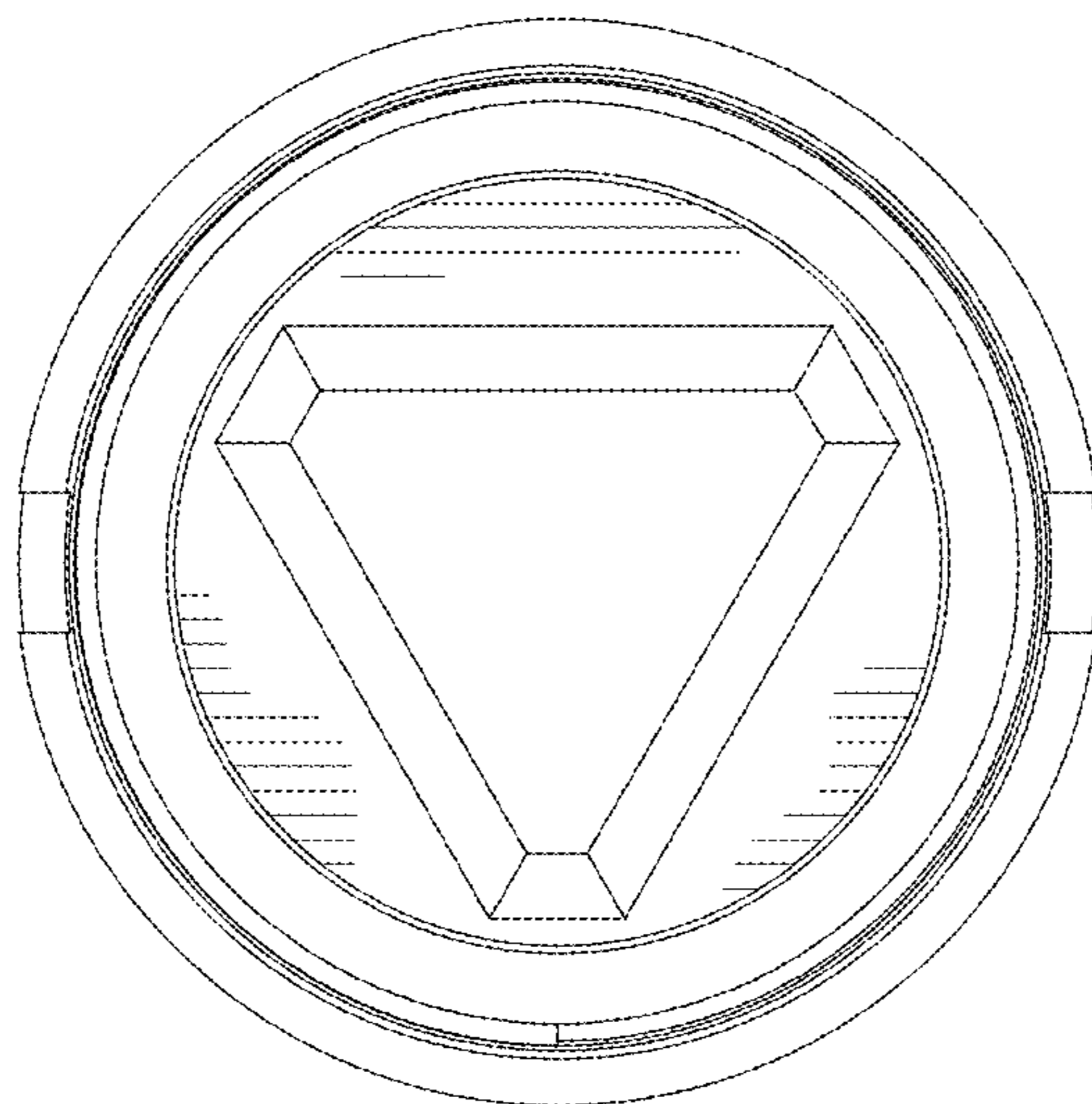


FIG.11

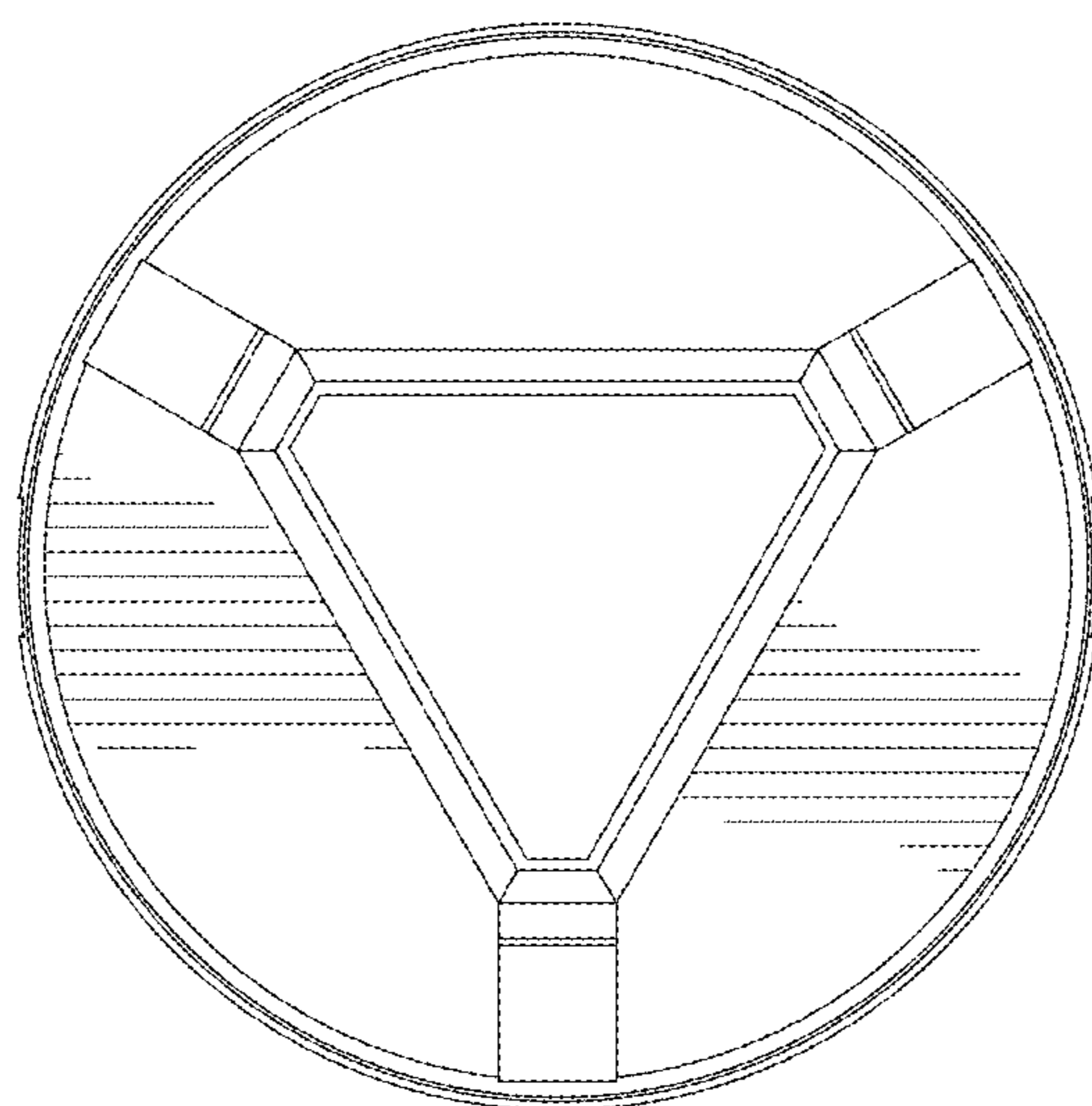


FIG.12