



US00D819411S

(12) **United States Design Patent**
Campbell Brown et al.

(10) **Patent No.:** **US D819,411 S**
(45) **Date of Patent:** **** Jun. 5, 2018**

(54) **COMBINED KNIFE HOLDER AND CUTTING BOARD**

(71) Applicant: **H. Gerstner & Sons, Inc.**, Dayton, OH (US)

(72) Inventors: **Kimberly A. Campbell Brown**, Murfreesboro, TN (US); **Maurice L. Brown**, Murfreesboro, TN (US); **Delbert F. Wilson, III**, Laura, OH (US)

(73) Assignee: **H. Gerstner & Sons, Inc.**, Dayton, OH (US)

(**) Term: **15 Years**

(21) Appl. No.: **29/594,582**

(22) Filed: **Feb. 21, 2017**

(51) **LOC (11) Cl.** **07-99**

(52) **U.S. Cl.**
USPC **D7/638; D7/698**

(58) **Field of Classification Search**
USPC D6/524, 555, 657, 663, 686;
D7/637-638; 30/298.4, 296.1; 206/372,
206/373, 553; 211/70.7; 248/37.3, 111
CPC A47B 88/20; A47F 7/00; A47G 21/00;
A47G 21/14; B26B 3/00
See application file for complete search history.

(56) **References Cited**

U.S. PATENT DOCUMENTS

1,861,683 A * 6/1932 Branch B24D 15/084
211/70.7
2,166,430 A * 7/1939 Green A47B 67/02
16/235
D199,581 S * 11/1964 Kraeft D7/641

D255,006 S * 5/1980 Pallotta, Jr. D7/637
D382,775 S * 8/1997 Skerker D7/638
6,581,774 B1 * 6/2003 Galafassi A47G 21/14
206/379
7,434,693 B2 * 10/2008 Mosko A47G 21/14
206/553
D681,973 S * 5/2013 Gibbs D6/686
2008/0092394 A1 * 4/2008 Freitag E05B 73/0023
30/165
2012/0091083 A1 * 4/2012 Kindley A47G 21/14
211/70.7

* cited by examiner

Primary Examiner — Derrick E Holland

Assistant Examiner — Janice Julia Patyk

(74) *Attorney, Agent, or Firm* — Jacox, Meckstroth & Jenkins

(57) **CLAIM**

The ornamental design for a combined knife holder and cutting board, as shown and described.

DESCRIPTION

FIG. 1 is a perspective view of a combined knife holder and cutting board showing our new design;
FIG. 2 is a front view thereof;
FIG. 3 is a side view thereof, the opposite side view being a mirror image thereof;
FIG. 4 is a back view thereof;
FIG. 5 is a top view thereof;
FIG. 6 is a bottom view thereof; and,
FIG. 7 is a perspective view thereof, shown in opened condition.

The broken lines in the figures illustrate environmental subject matter that form no part of the claimed design.

1 Claim, 2 Drawing Sheets

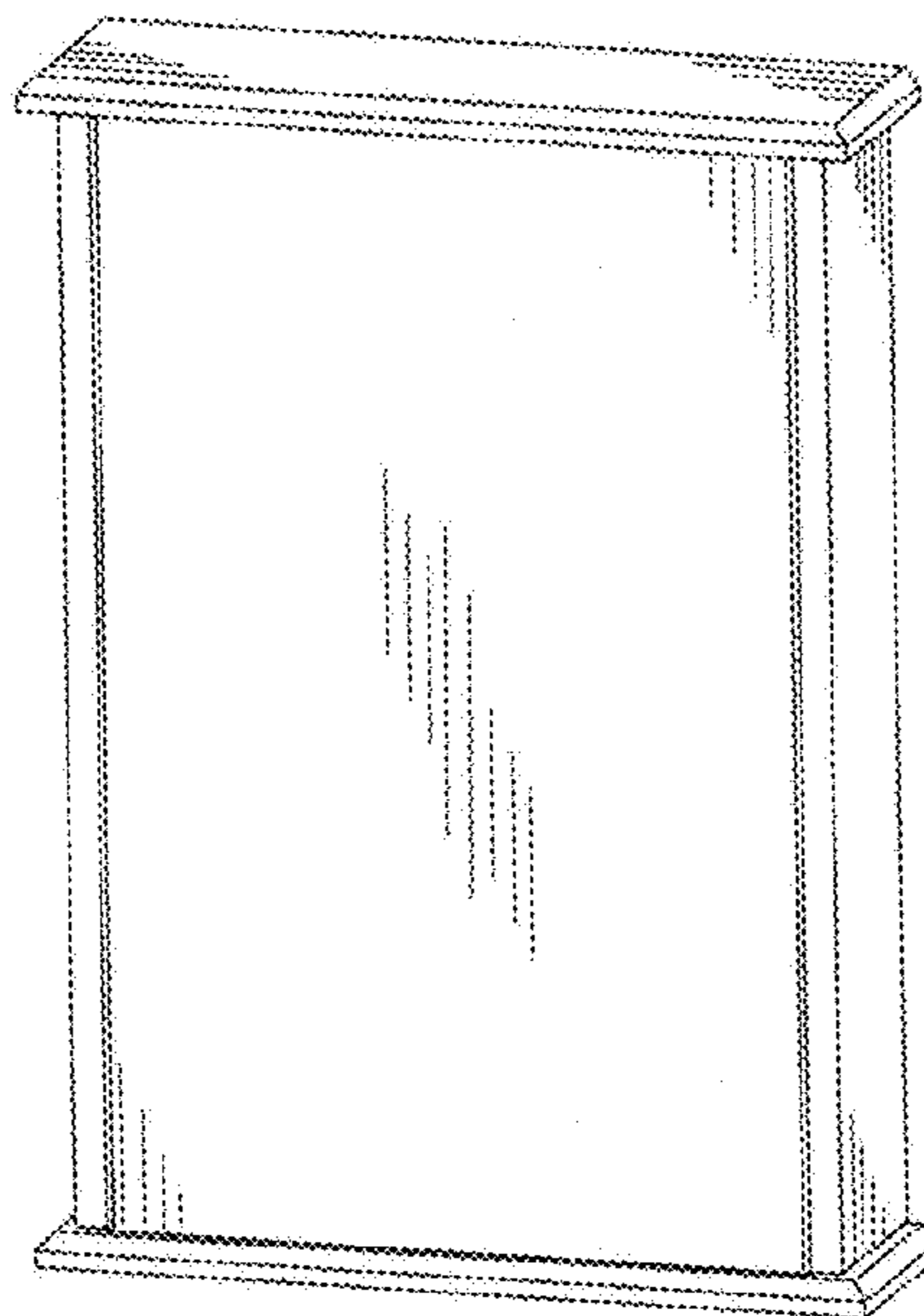


FIG. 1

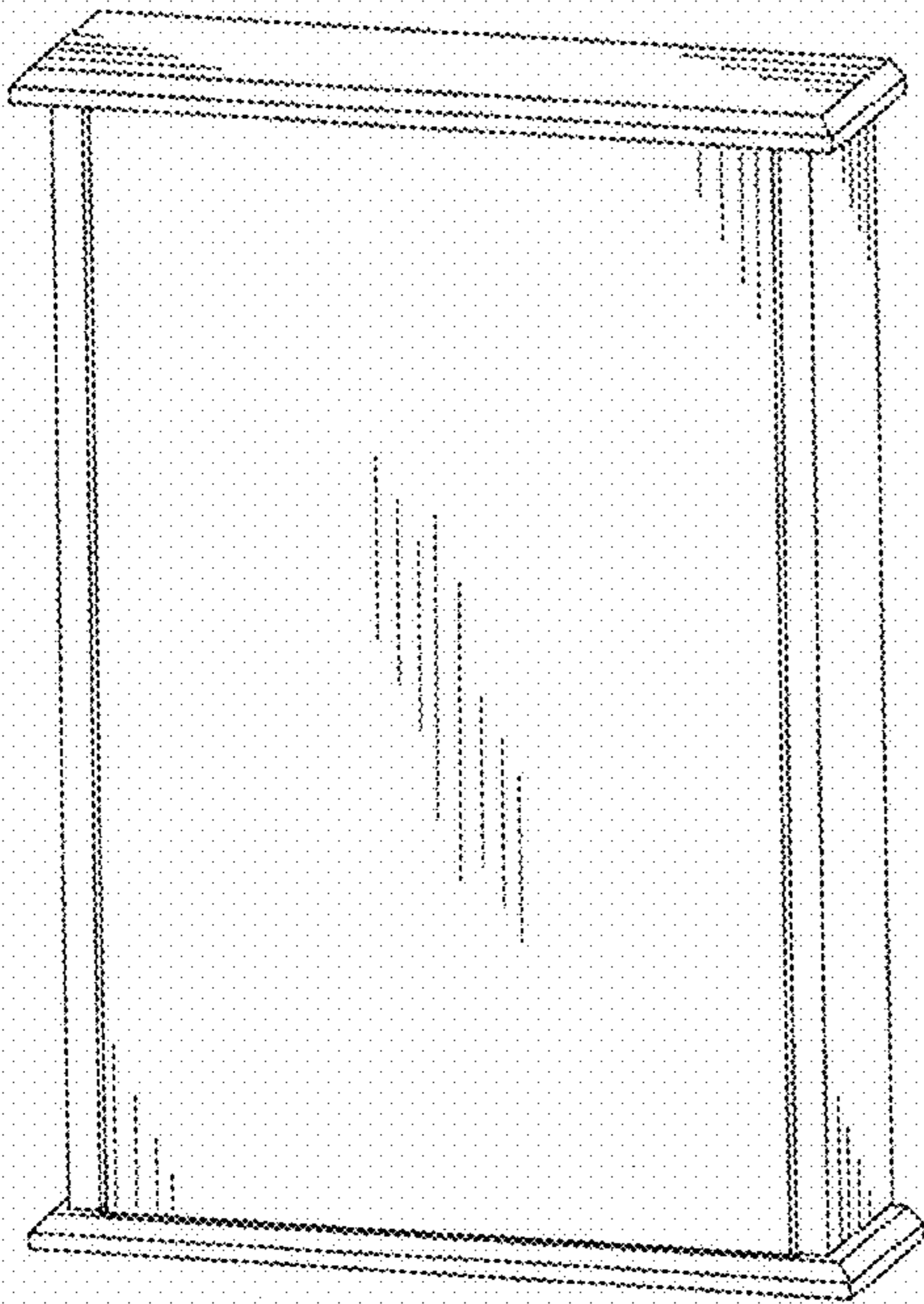


FIG. 2

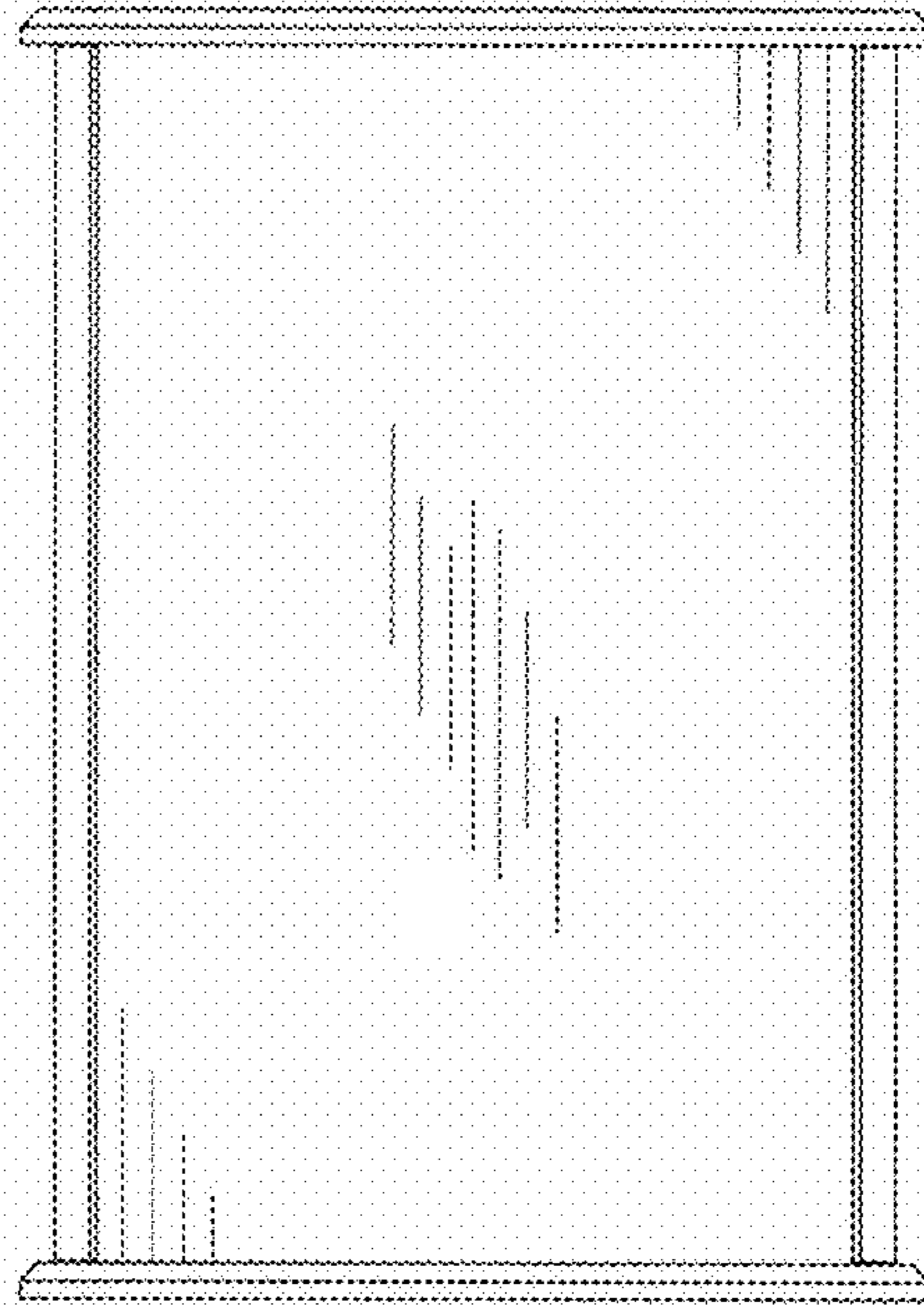


FIG. 3

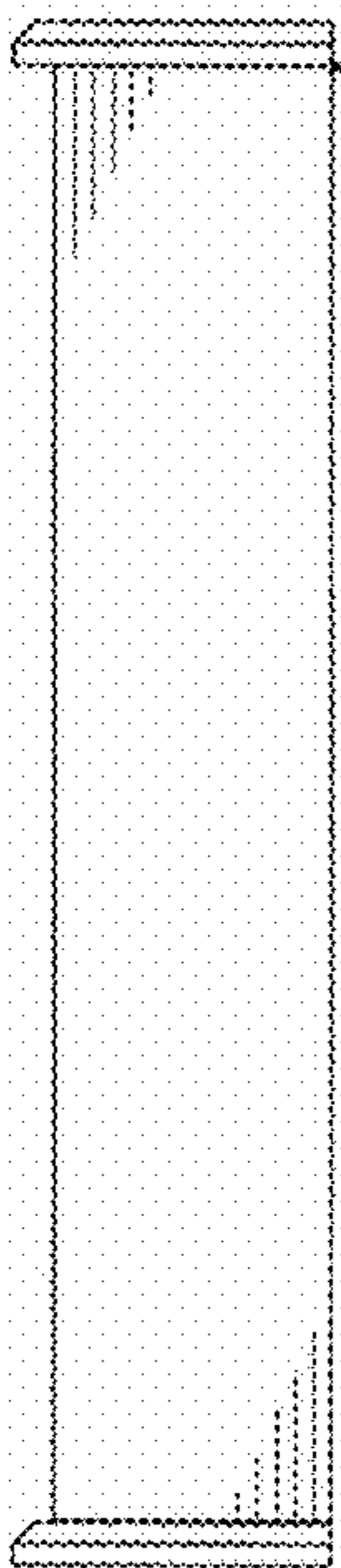


FIG. 4

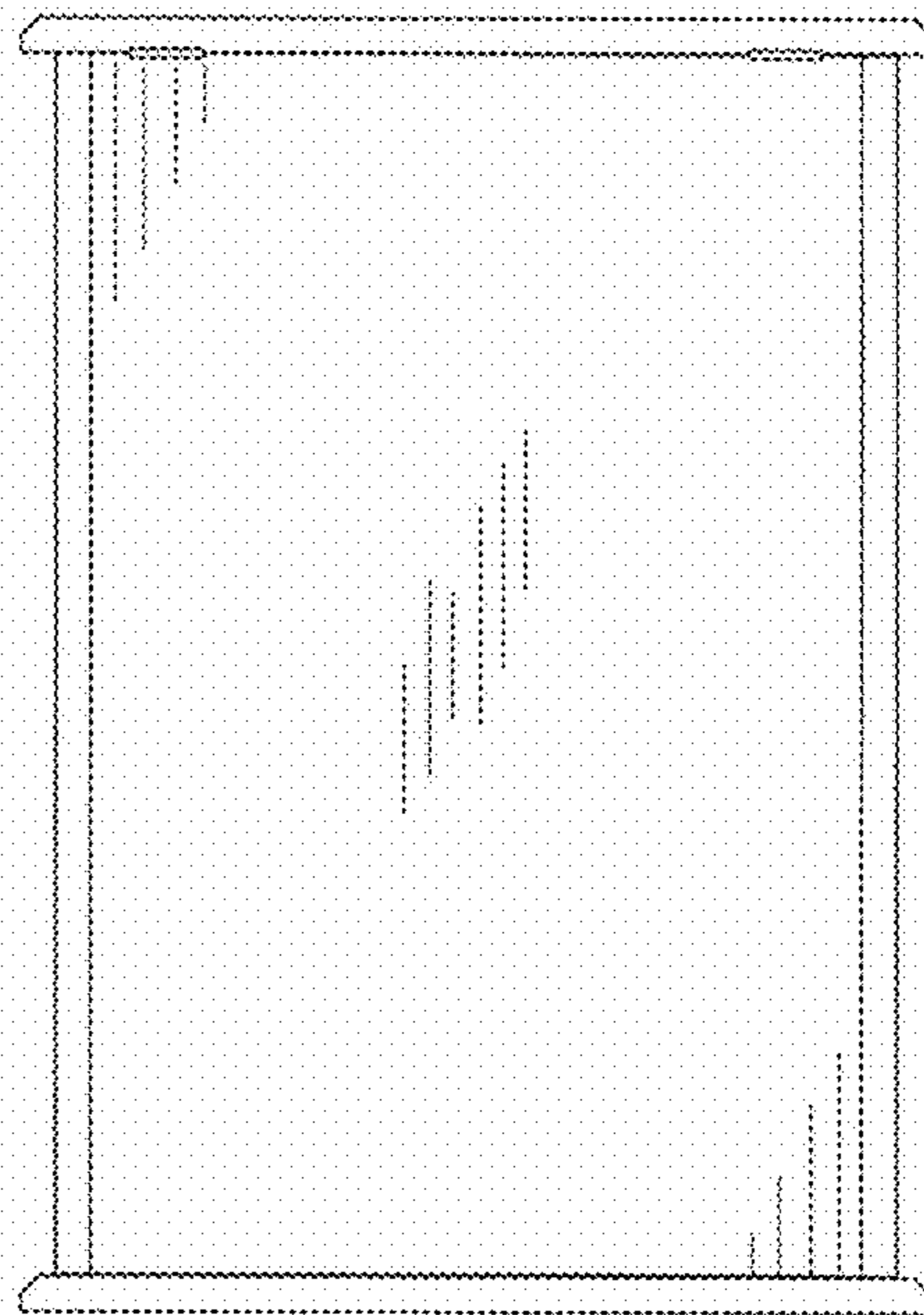


FIG. 5

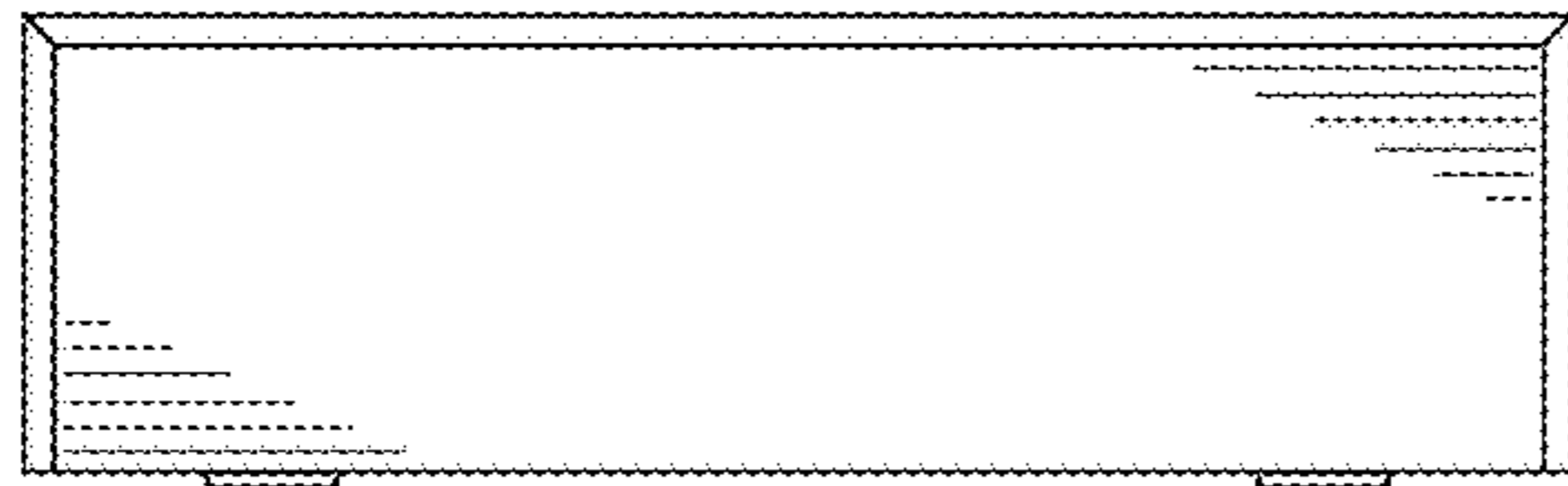


FIG. 6



FIG. 7

