



US00D819408S

(12) **United States Design Patent** (10) **Patent No.:** **US D819,408 S**  
**Floco** (45) **Date of Patent:** **\*\* Jun. 5, 2018**

(54) **CUPHOLDER TRAY**  
(71) Applicant: **PierPoint, Inc.**, San Diego, CA (US)  
(72) Inventor: **Ried Floco**, San Diego (CA)  
(73) Assignee: **Pierpoint. Inc.**, San Diego, CA (US)  
(\*\*) Term: **15 Years**

3,877,603 A 4/1975 Holz  
3,949,876 A 4/1976 Bridges et al.  
4,040,549 A 8/1977 Sadler  
4,071,163 A 1/1978 Martin  
(Continued)

**FOREIGN PATENT DOCUMENTS**

JP 2010202262 A 9/2010

(21) Appl. No.: **29/601,163**  
(22) Filed: **Apr. 19, 2017**  
(51) **LOC (11) Cl.** ..... **07-01**  
(52) **U.S. Cl.**  
USPC ..... **D7/553.6**  
(58) **Field of Classification Search**  
USPC ..... D7/396.4, 501, 505, 538, 540, 541-543,  
D7/545, 546, 549, 552.1, 553, 553.1,  
D7/553.2, 553.6, 554.2; D9/424, 432,  
D9/716, 719, 723-740, 744-745, 756,  
D9/759-760; D30/130; D3/304, 313,  
D3/315  
CPC ..... B65D 1/34; B65D 21/00; B65D 21/0204  
See application file for complete search history.

**OTHER PUBLICATIONS**

Uxcell Vehicle Car Tray—Amazon.com listing accessed May 8, 2017.

(Continued)

*Primary Examiner* — Kelley Donnelly

(74) *Attorney, Agent, or Firm* — Eleanor Musick; Musick Davison LLP

(57) **CLAIM**

The ornamental design for a cupholder tray, as shown and described.

**DESCRIPTION**

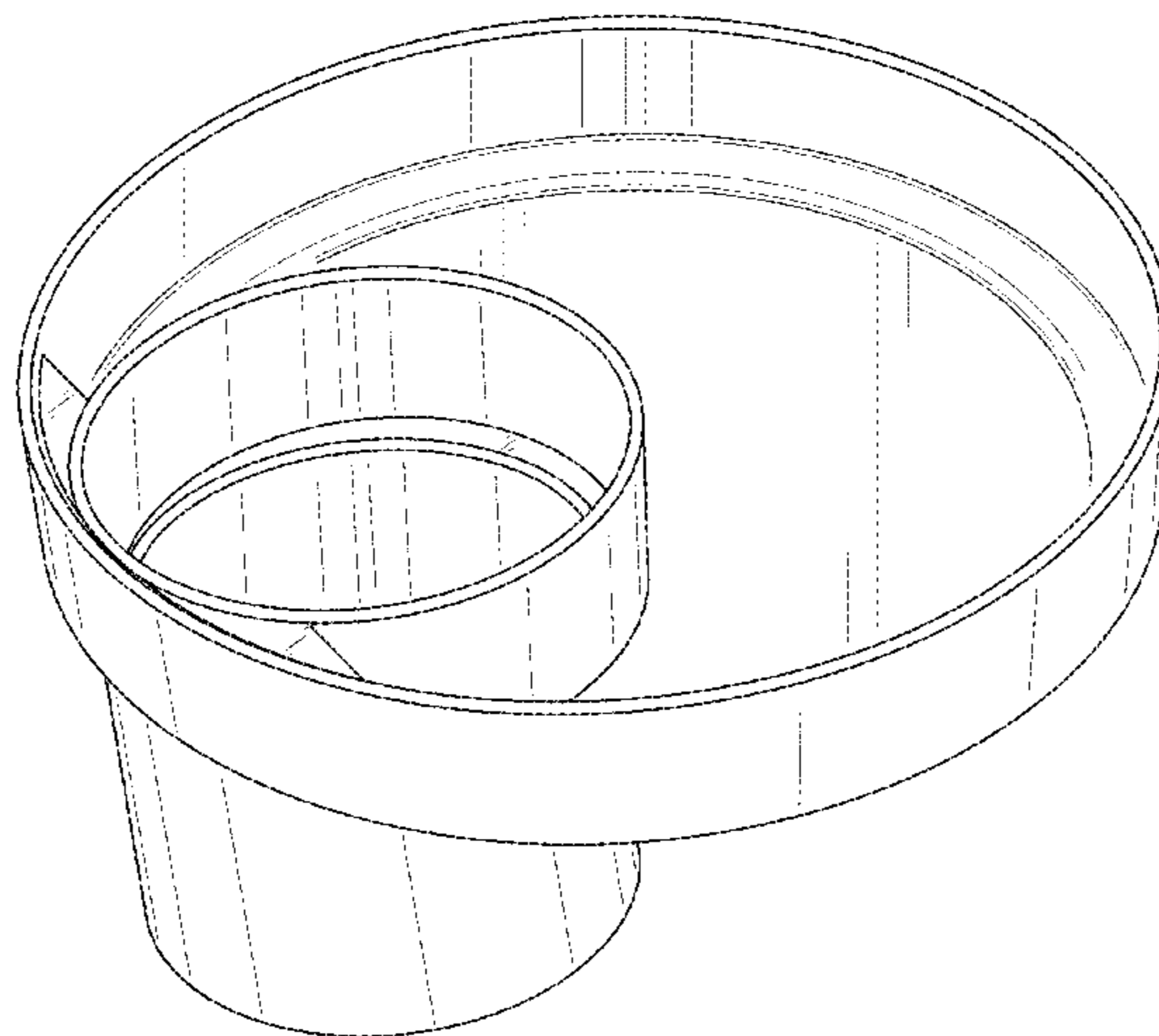
FIG. 1 is a side perspective view of the cupholder tray showing my new design;  
FIG. 2 is a top plan view thereof;  
FIG. 3 is a bottom plan view thereof;  
FIG. 4 is a right side elevational view of the cupholder tray as shown in FIG. 3;  
FIG. 5 is a left side elevational view of the cupholder tray as shown in FIG. 3;  
FIG. 6 is a left side elevational view of the cupholder tray as shown in FIG. 1; and,  
FIG. 7 is a right side elevational view of the cupholder tray as shown in FIG. 1.  
The broken line showing of a cupholder receptacle is included for the purpose of illustration only and forms no part of the claimed design.

(56) **References Cited**

**U.S. PATENT DOCUMENTS**

1,544,972 A 7/1925 Gebelein  
1,872,491 A 8/1932 Noetzel  
2,063,289 A 12/1936 Alusas  
2,107,023 A 2/1938 Bertsch  
2,584,557 A 2/1952 Cuthbertson  
2,640,595 A 6/1953 Byford  
2,799,147 A 7/1957 Crawford  
3,079,037 A 2/1963 Schechter  
3,250,422 A 5/1966 Parish  
3,257,024 A 6/1966 Semanchik  
3,401,858 A \* 9/1968 White ..... A47G 19/06  
206/561  
3,526,335 A 9/1970 Swell et al.  
3,642,239 A 2/1972 Zeiler  
3,800,939 A 4/1974 Cornelius  
3,808,084 A 4/1974 Doty

**1 Claim, 6 Drawing Sheets**



(56)

References Cited

U.S. PATENT DOCUMENTS

4,208,006 A 6/1980 Bixler et al.  
 4,524,701 A 6/1985 Chappell  
 D291,957 S \* 9/1987 Stevens ..... D7/505  
 D298,296 S \* 11/1988 Washburn ..... D7/553.6  
 4,798,413 A 1/1989 Capelli  
 4,969,618 A 11/1990 Thompson  
 5,114,108 A 5/1992 Olschansky  
 5,118,063 A 6/1992 Young  
 5,135,195 A 8/1992 Dane  
 5,171,077 A 12/1992 Jondahl et al.  
 5,330,145 A 7/1994 Evans et al.  
 D353,289 S 12/1994 Ayotte et al.  
 5,421,459 A 6/1995 Mazzotti  
 5,598,944 A \* 2/1997 Aragona ..... A47G 19/06  
 206/518  
 5,601,268 A 2/1997 Dunchock  
 D378,334 S \* 3/1997 Legere ..... D7/620  
 5,651,523 A 7/1997 Bridges  
 D382,727 S 8/1997 Kresge et al.  
 5,702,041 A 12/1997 Sun et al.  
 5,713,628 A 2/1998 Lucatuorto  
 D398,480 S \* 9/1998 Panta Chica ..... D7/553.6  
 D404,218 S \* 1/1999 Sussman ..... D6/406.5  
 5,865,124 A 2/1999 Wroe  
 5,897,041 A 4/1999 Ney et al.  
 5,953,999 A 9/1999 Kanehl  
 5,954,195 A 9/1999 Krueger et al.  
 5,971,139 A 10/1999 Bradley  
 6,036,020 A 3/2000 Distler  
 6,109,580 A 8/2000 Stern et al.  
 6,113,049 A 9/2000 Miljanich  
 6,152,302 A 11/2000 Miller et al.  
 6,264,026 B1 7/2001 Bradley

6,360,885 B1 3/2002 Krueger et al.  
 6,401,927 B1 6/2002 Sorensen et al.  
 6,425,480 B1 7/2002 Krueger et al.  
 6,511,030 B1 1/2003 Kelley  
 6,533,233 B2 3/2003 Thomas  
 6,651,836 B1 \* 11/2003 Hofheins ..... A47G 19/06  
 206/562  
 6,682,034 B1 \* 1/2004 Vial ..... A47G 19/04  
 248/231.81  
 6,732,990 B2 5/2004 Hudson  
 D508,373 S \* 8/2005 Corrieri ..... D7/553.6  
 D581,740 S \* 12/2008 Ingle ..... D7/549  
 D592,813 S \* 5/2009 Newsome ..... D30/129  
 D623,019 S \* 9/2010 Wildman ..... D7/554.2  
 D655,136 S \* 3/2012 Goodman ..... D7/553.6  
 8,256,639 B1 9/2012 Samuelson et al.  
 D701,430 S \* 3/2014 Hohnstein ..... D7/553.8  
 D719,787 S \* 12/2014 Seegars ..... D7/553.6  
 D769,132 S \* 10/2016 Tilahun ..... D9/737  
 D770,857 S \* 11/2016 Davidson, IV ..... D7/553.6  
 D773,940 S \* 12/2016 Tilahun ..... D9/737  
 D808,222 S \* 1/2018 Shames ..... D7/554.2  
 2003/0141424 A1 7/2003 Thomas  
 2009/0120832 A1 5/2009 Munden

OTHER PUBLICATIONS

“Travel Tray—Convenient Snack and Drink Travel Tray for Car Seats” Website [online], Travel Tray, Oct. 30, 2017 (retrieved on Feb. 6, 2018). Retrieved from the Internet: <URL: <https://www.traveltray.us/>>.  
 PCT/US2017/067752 International Search Report and Written Opinion, dated Mar. 8, 2018, 7 pages.

\* cited by examiner

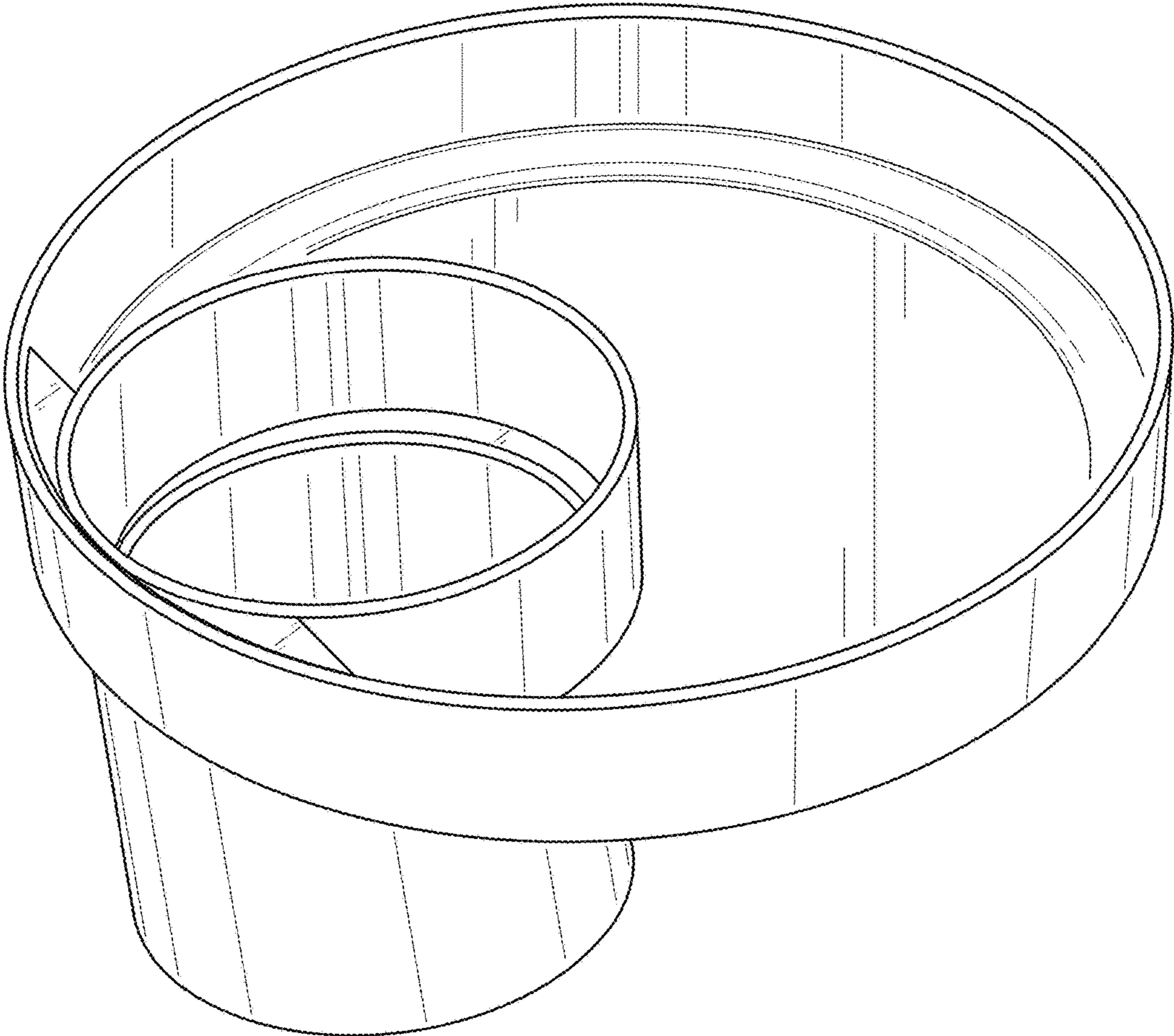


FIG. 1

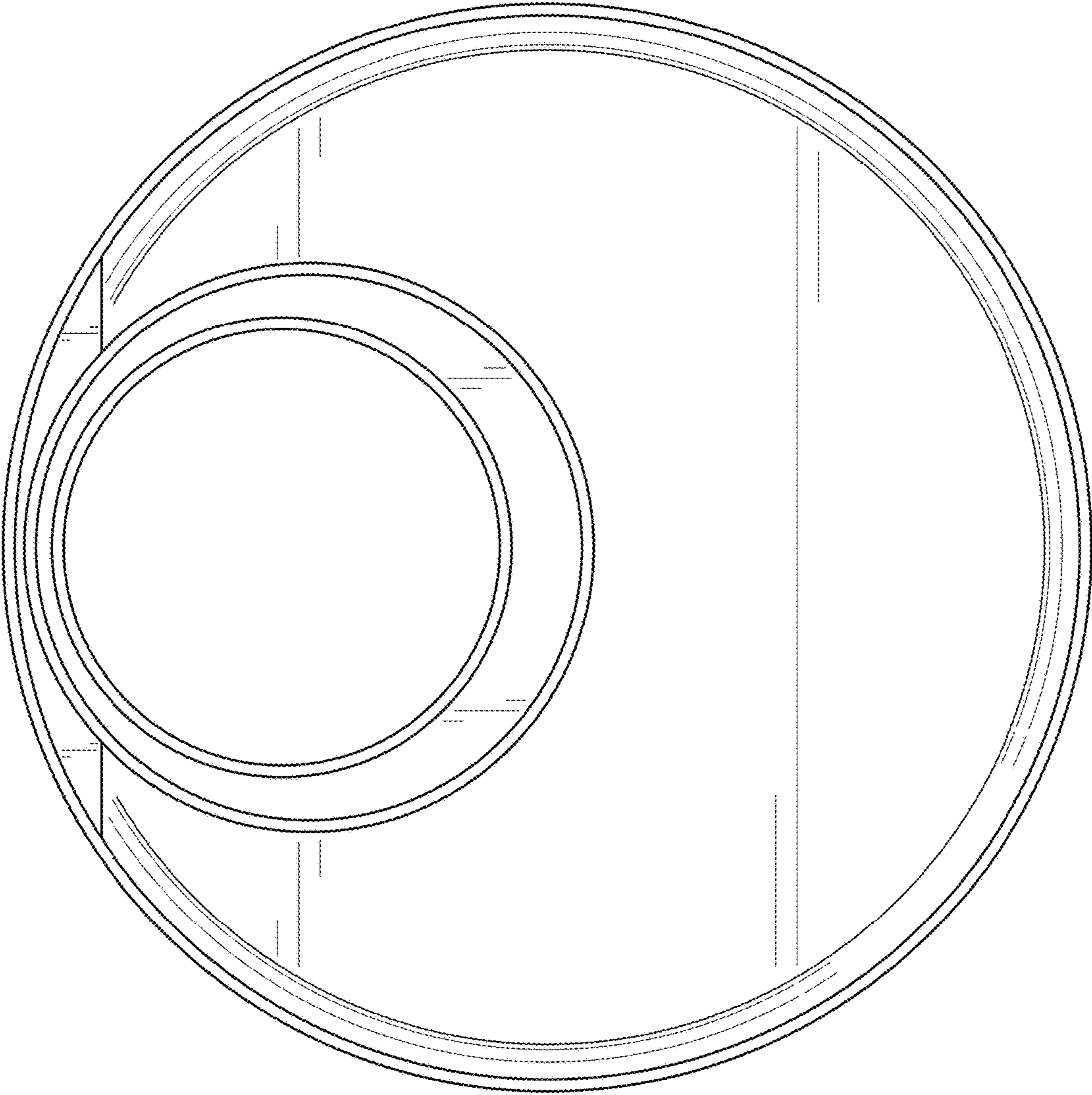


FIG. 2

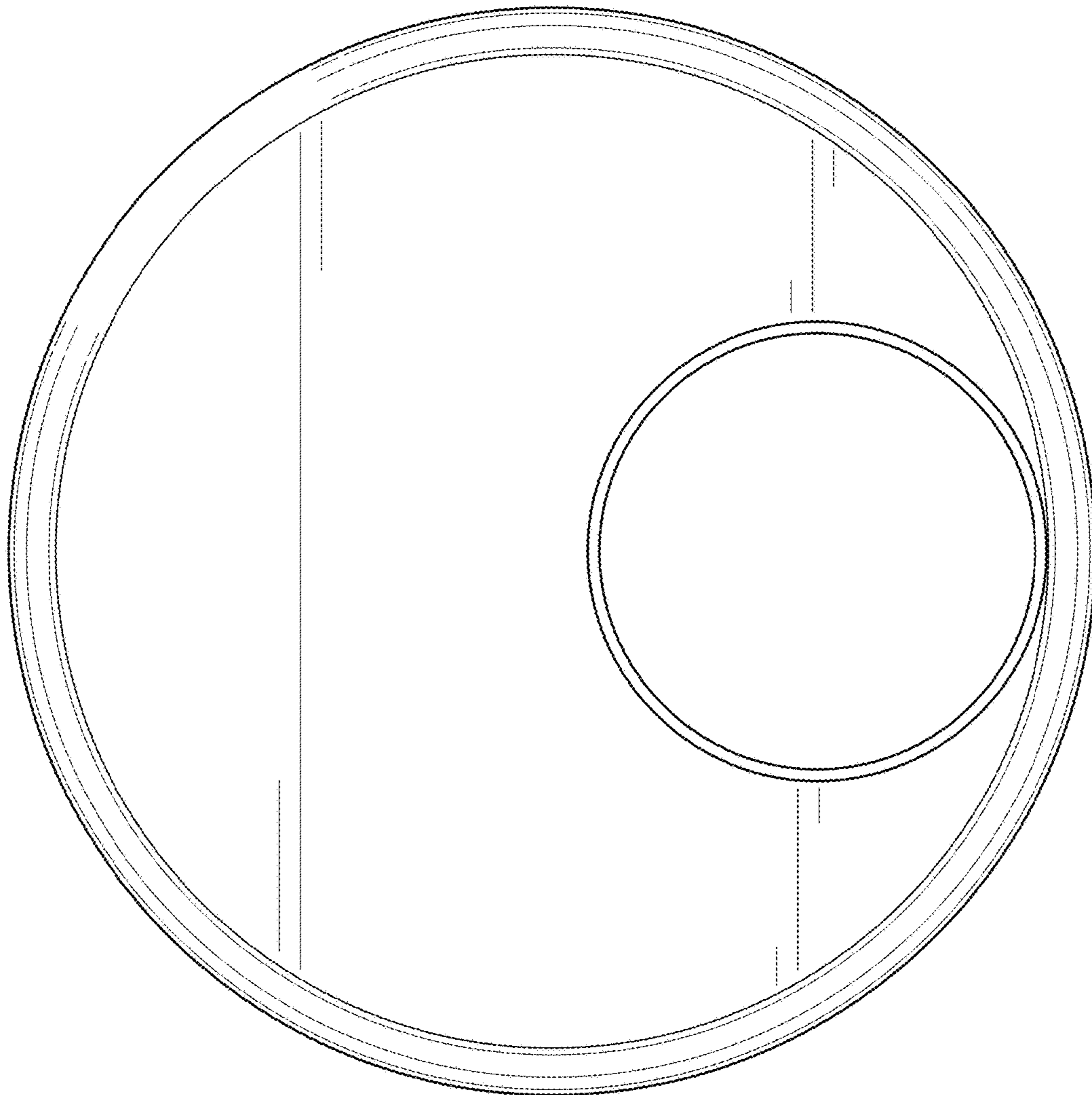


FIG. 3

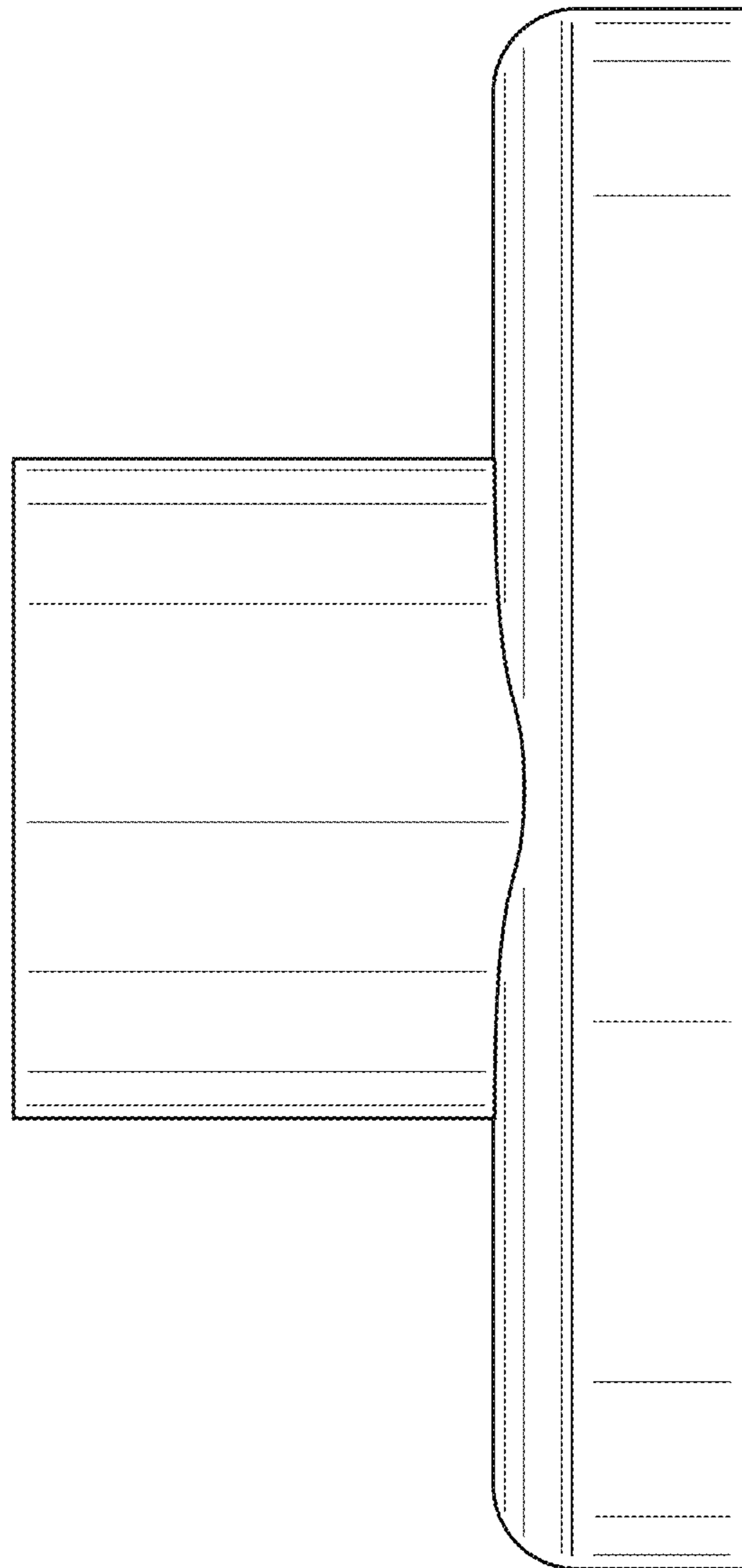


FIG. 4

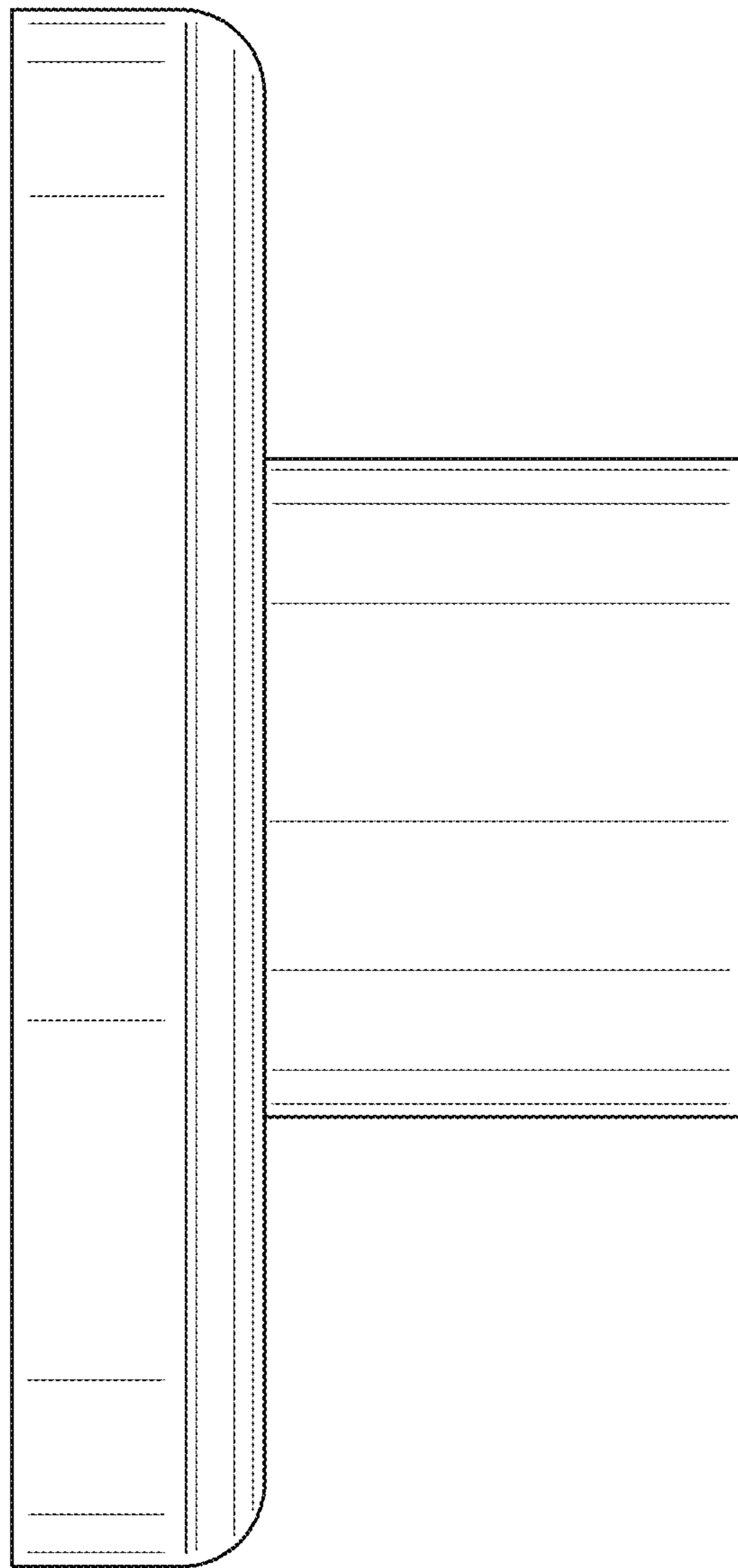


FIG. 5

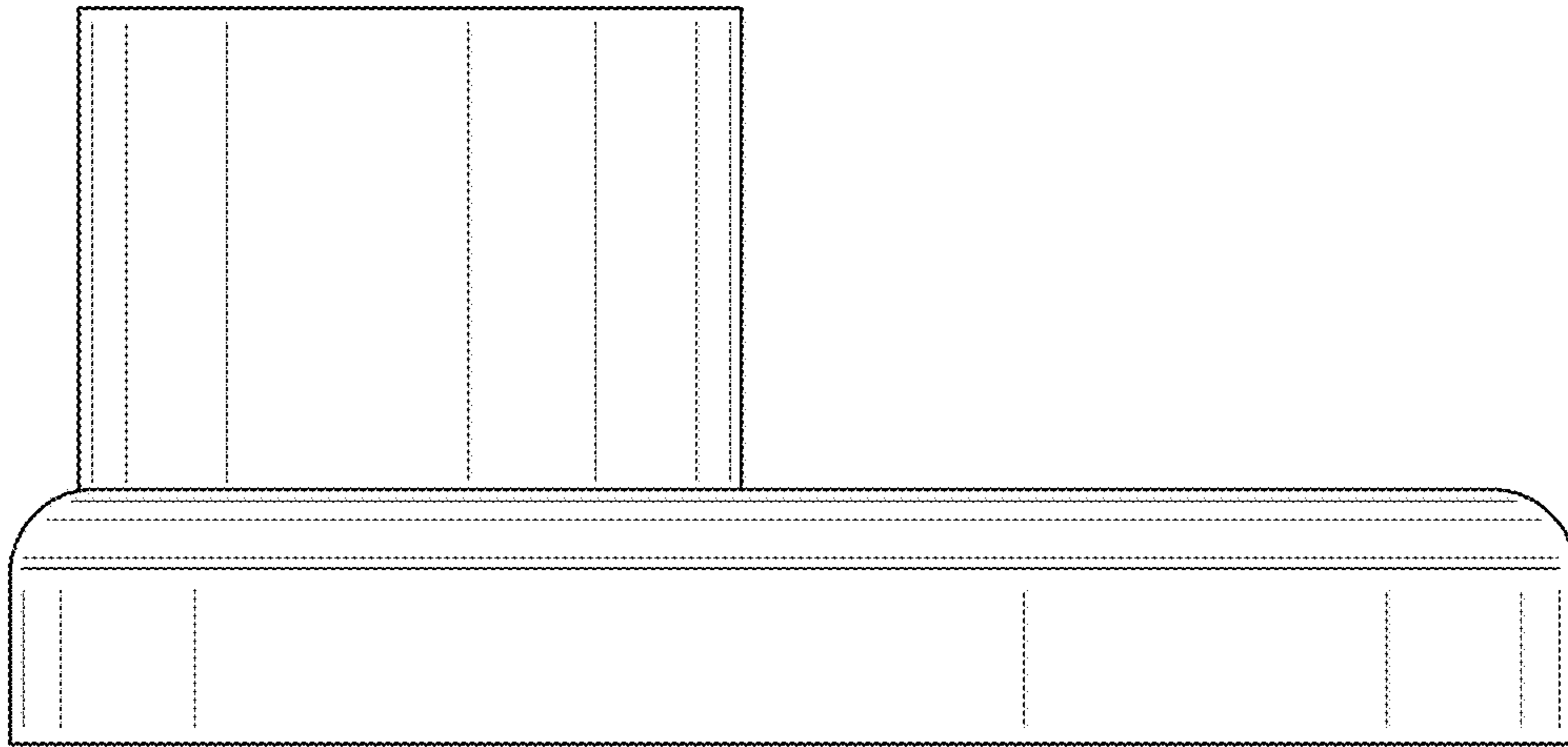


FIG. 6

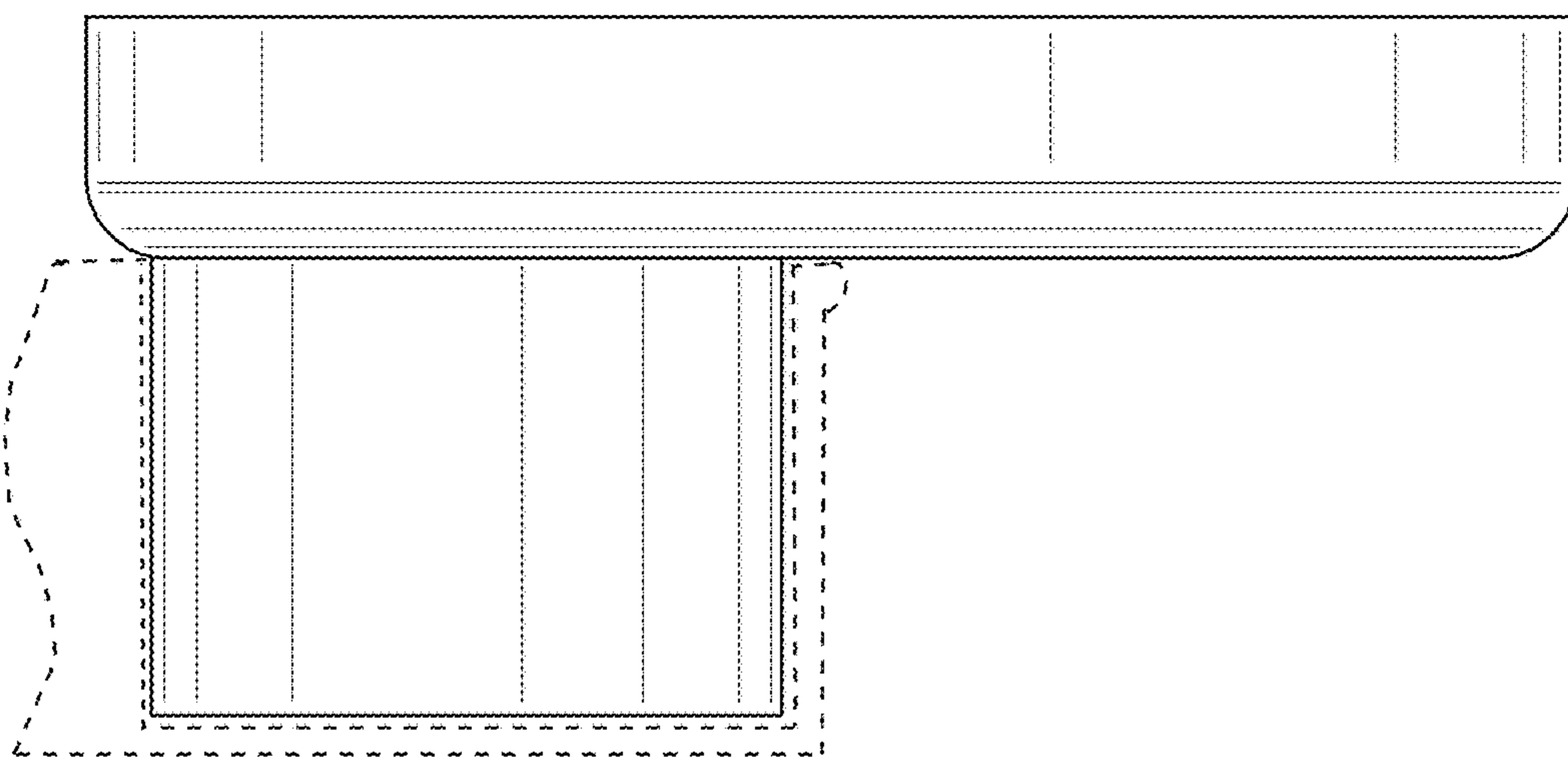


FIG. 7